



US00D552808S

(12) **United States Design Patent**  
**Garman et al.**

(10) **Patent No.:** **US D552,808 S**

(45) **Date of Patent:** **\*\* Oct. 9, 2007**

(54) **CLOTHES DRYER**

(75) Inventors: **Michael Garman**, Stafford, VA (US);  
**Mark Turner**, Mechanicsville, VA (US)

(73) Assignee: **Hamilton Beach/Proctor-Silex, Inc.**,  
Glen Allen, VA (US)

(\*\*) Term: **14 Years**

(21) Appl. No.: **29/276,054**

(22) Filed: **Jan. 12, 2007**

(51) **LOC (8) Cl.** ..... **15-05**

(52) **U.S. Cl.** ..... **D32/8**

(58) **Field of Classification Search** ..... D32/8,  
D32/15, 16, 20, 25, 58-59; 34/202, 237,  
34/239; 211/200-203, 85.3, 189, 94.03,  
211/195, 119.01

See application file for complete search history.

(56) **References Cited**

**U.S. PATENT DOCUMENTS**

291,030	A	*	1/1884	Clapper	108/1
D34,629	S		6/1901	Shank	
1,605,089	A	*	11/1926	Bickle et al.	432/185
D105,528	S	*	8/1937	Jensen	D32/58
2,111,148	A	*	3/1938	Judelson	34/225
D118,572	S		1/1940	Schultz	
2,445,403	A	*	7/1948	Mayerman	34/622
2,473,047	A	*	6/1949	Bershad	211/189
3,103,422	A	*	9/1963	Green	34/238
3,577,650	A		5/1971	Brahm	
4,777,737	A		10/1988	Wolens et al.	
4,862,602	A		9/1989	Krill	
4,959,911	A		10/1990	Wolens et al.	
D314,262	S		1/1991	Kretchman et al.	
5,016,364	A	*	5/1991	Cochrane	34/202
5,185,939	A		2/1993	Kimura	
5,372,266	A	*	12/1994	Fisher	211/189
5,394,619	A		3/1995	Kaplan	
5,553,394	A		9/1996	Cosley	
5,564,831	A		10/1996	Bashark	
5,833,083	A	*	11/1998	Miller	211/134
5,870,836	A		2/1999	Grimes	
D423,161	S	*	4/2000	Mersseman	D32/58
D459,037	S		6/2002	Schober	
D466,657	S		12/2002	Van Hauwermeiren et al.	

D496,506	S		9/2004	Keeler et al.	
6,860,032	B2		3/2005	Meyer	
6,910,292	B2		6/2005	Prows	
6,928,745	B2		8/2005	Lickiss et al.	
6,928,752	B2		8/2005	Johnson et al.	
2006/0010709	A1		1/2006	Johnson et al.	

\* cited by examiner

*Primary Examiner*—Louis S. Zarfes

*Assistant Examiner*—Kathleen Sims

(74) *Attorney, Agent, or Firm*—Akin Gump Strauss Hauer & Feld LLP

(57) **CLAIM**

The ornamental design for a clothes dryer, as shown and described.

**DESCRIPTION**

FIG. 1 is a top left side perspective view of a clothes dryer in accordance with a first embodiment of my new design;

FIG. 2 is a front elevation view thereof;

FIG. 3 a top plan view thereof;

FIG. 4 is a right-side elevation view thereof;

FIG. 5 is a left-side elevation view thereof;

FIG. 6 is a rear elevation view thereof;

FIG. 7 is a bottom plan view thereof;

FIG. 8 is a top left side perspective view of a clothes dryer in accordance with a second embodiment of my new design;

FIG. 9 is a front elevation view thereof;

FIG. 10 a top plan view thereof;

FIG. 11 is a right-side elevation view thereof;

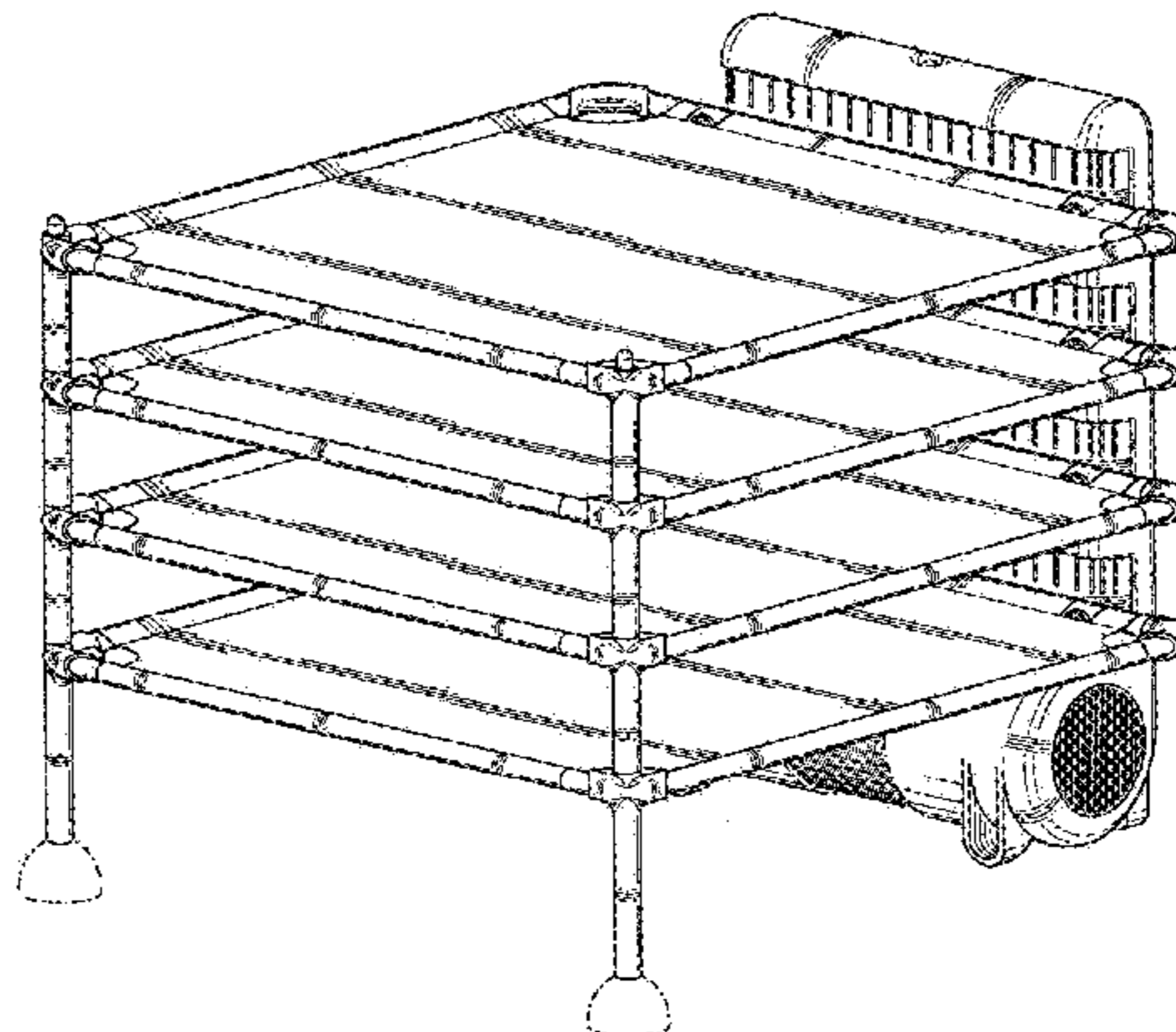
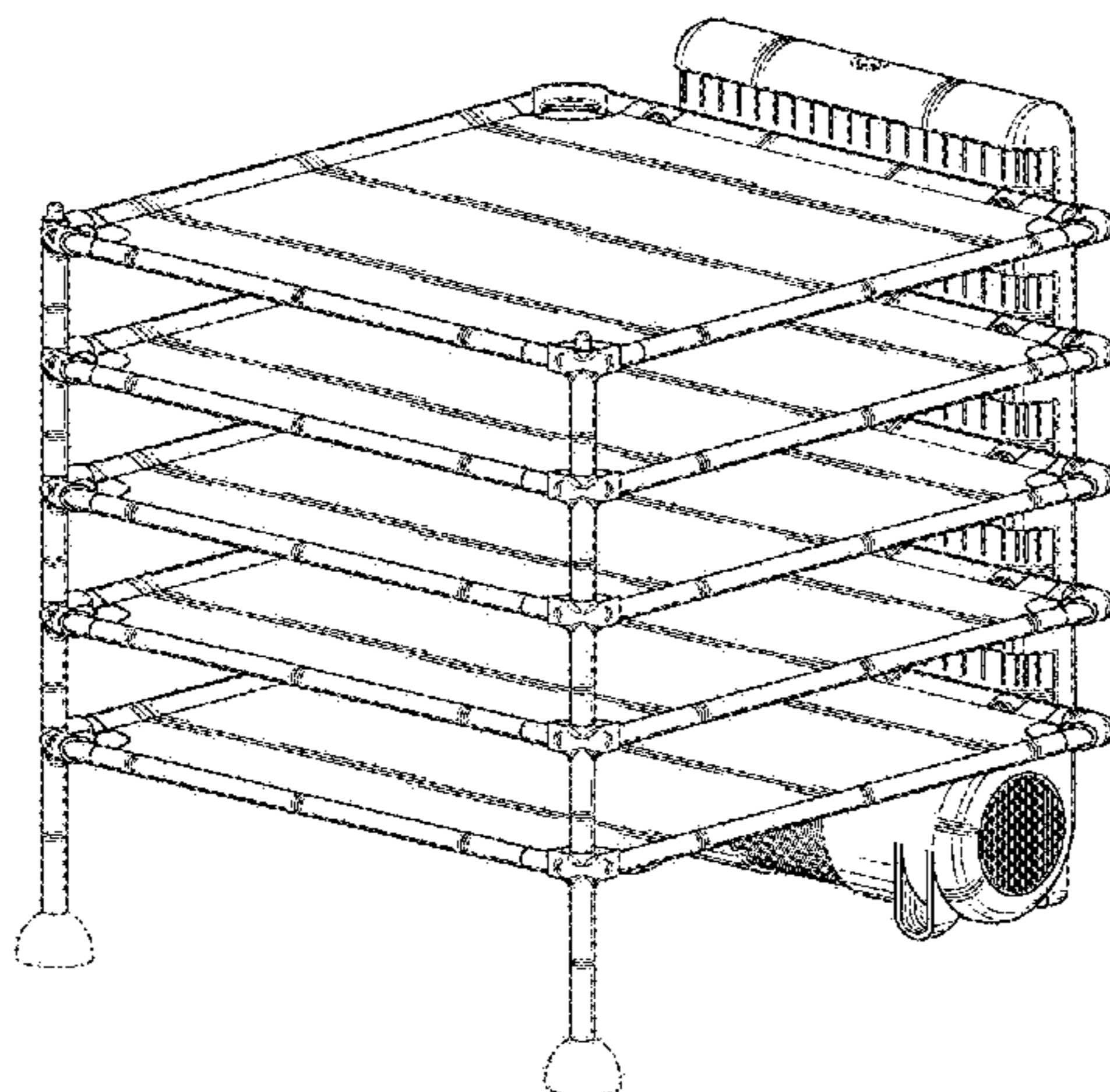
FIG. 12 is a left-side elevation view thereof;

FIG. 13 is a rear elevation view thereof; and,

FIG. 14 is a bottom plan view thereof.

The broken line showing of the feet and portions of the drying mechanism in FIGS. 1-14 is included for the purpose of illustrating portions of environment of the clothes dryer and forms no part of the claimed design.

**1 Claim, 14 Drawing Sheets**



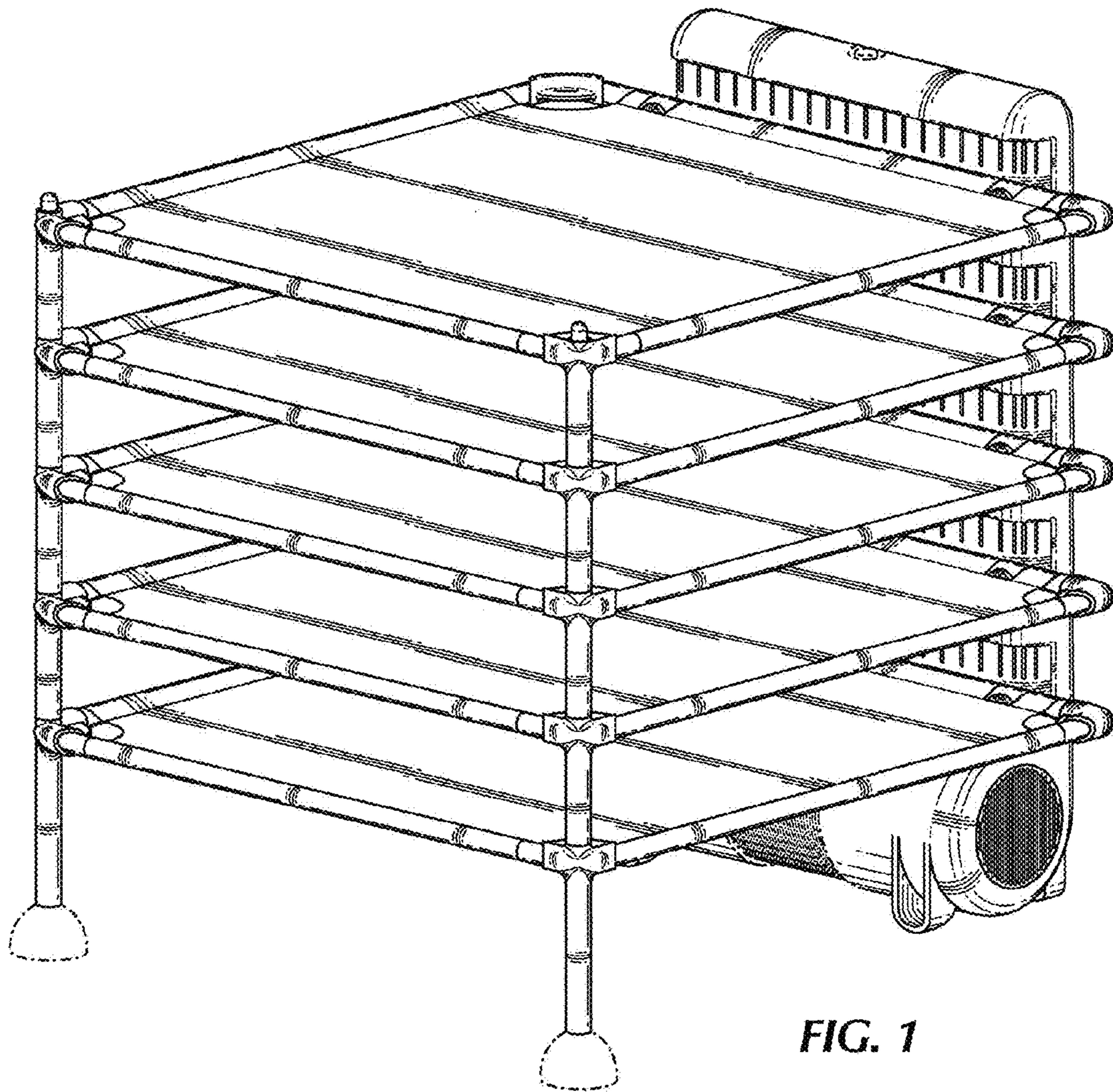
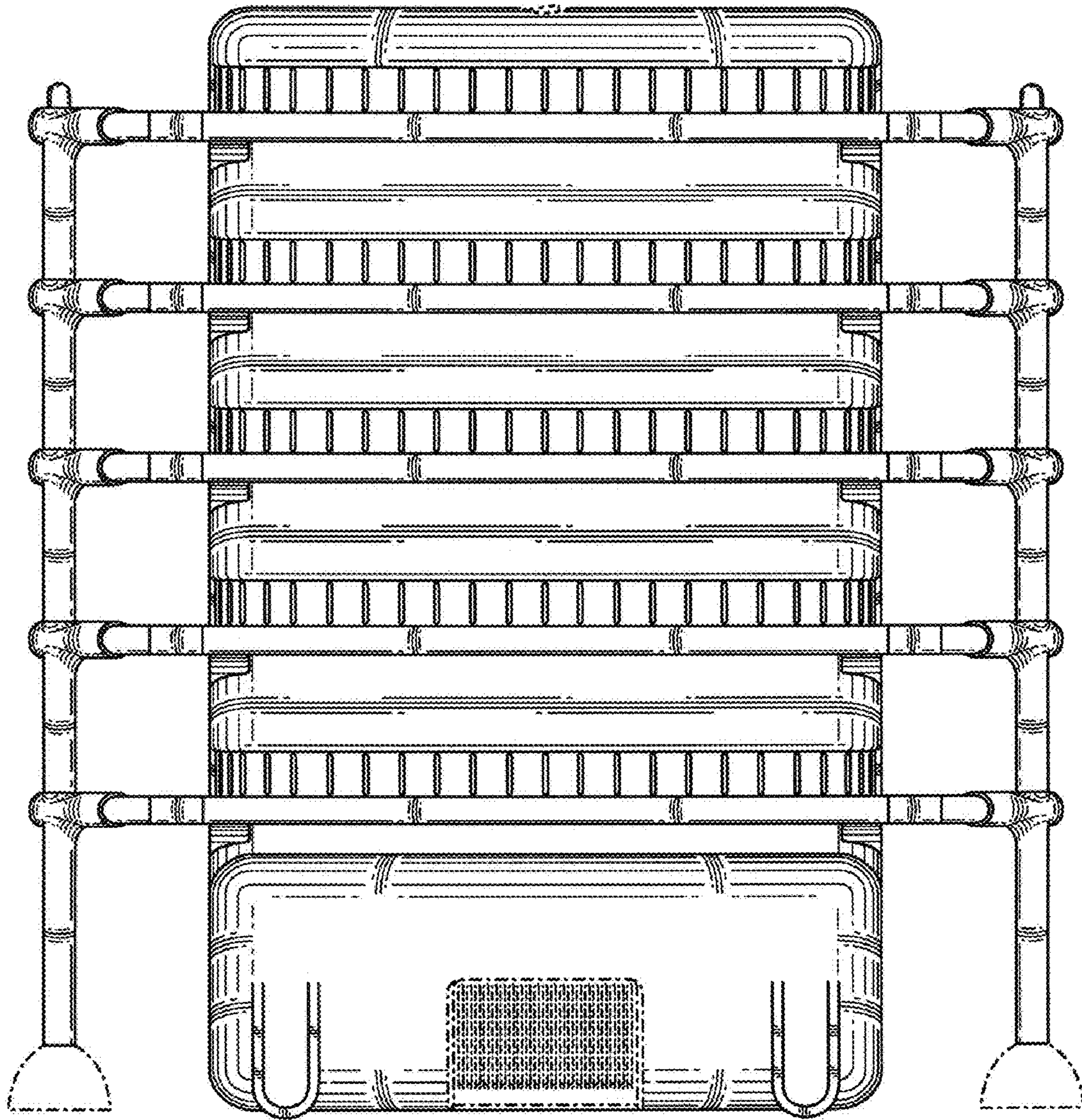
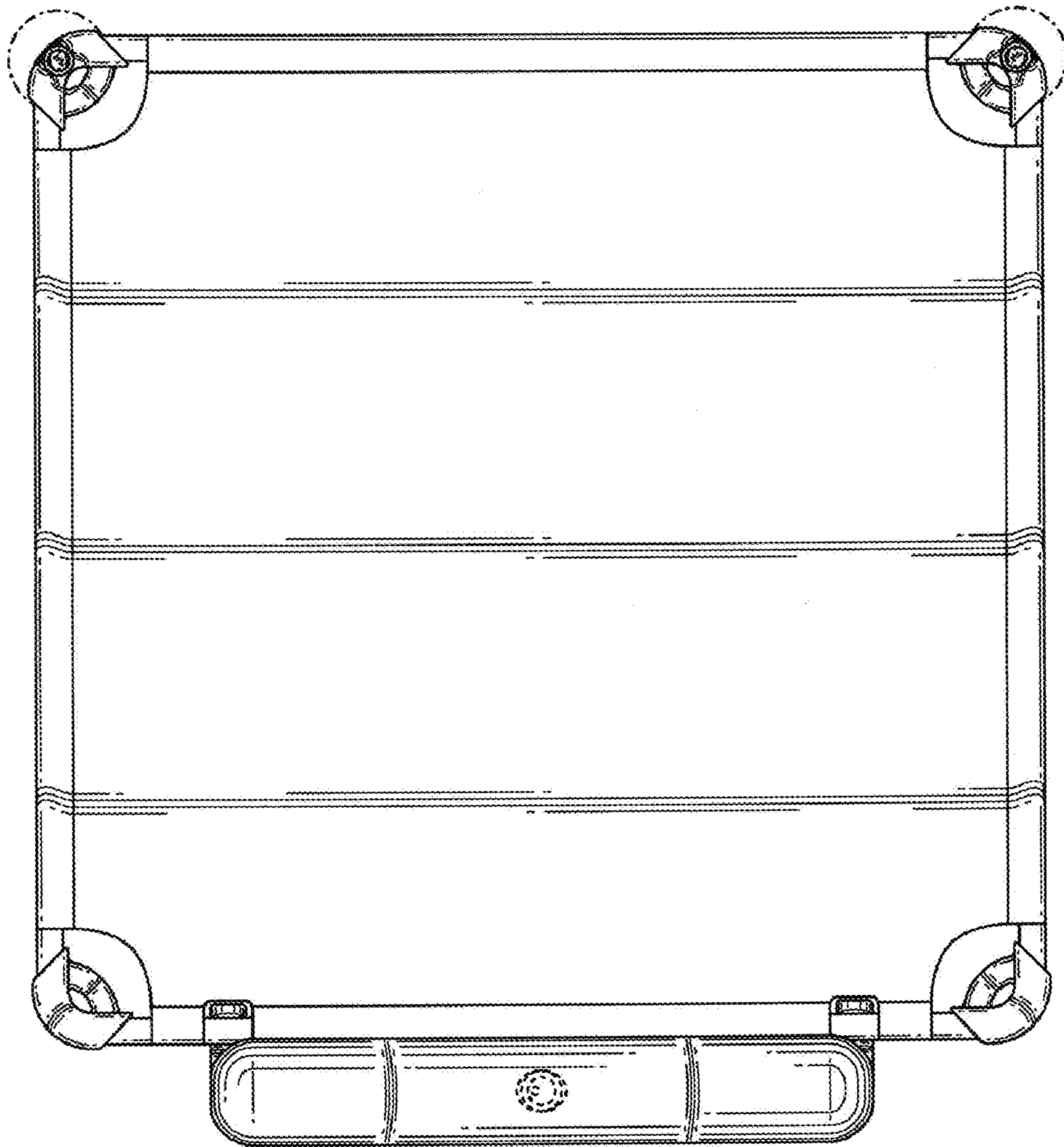


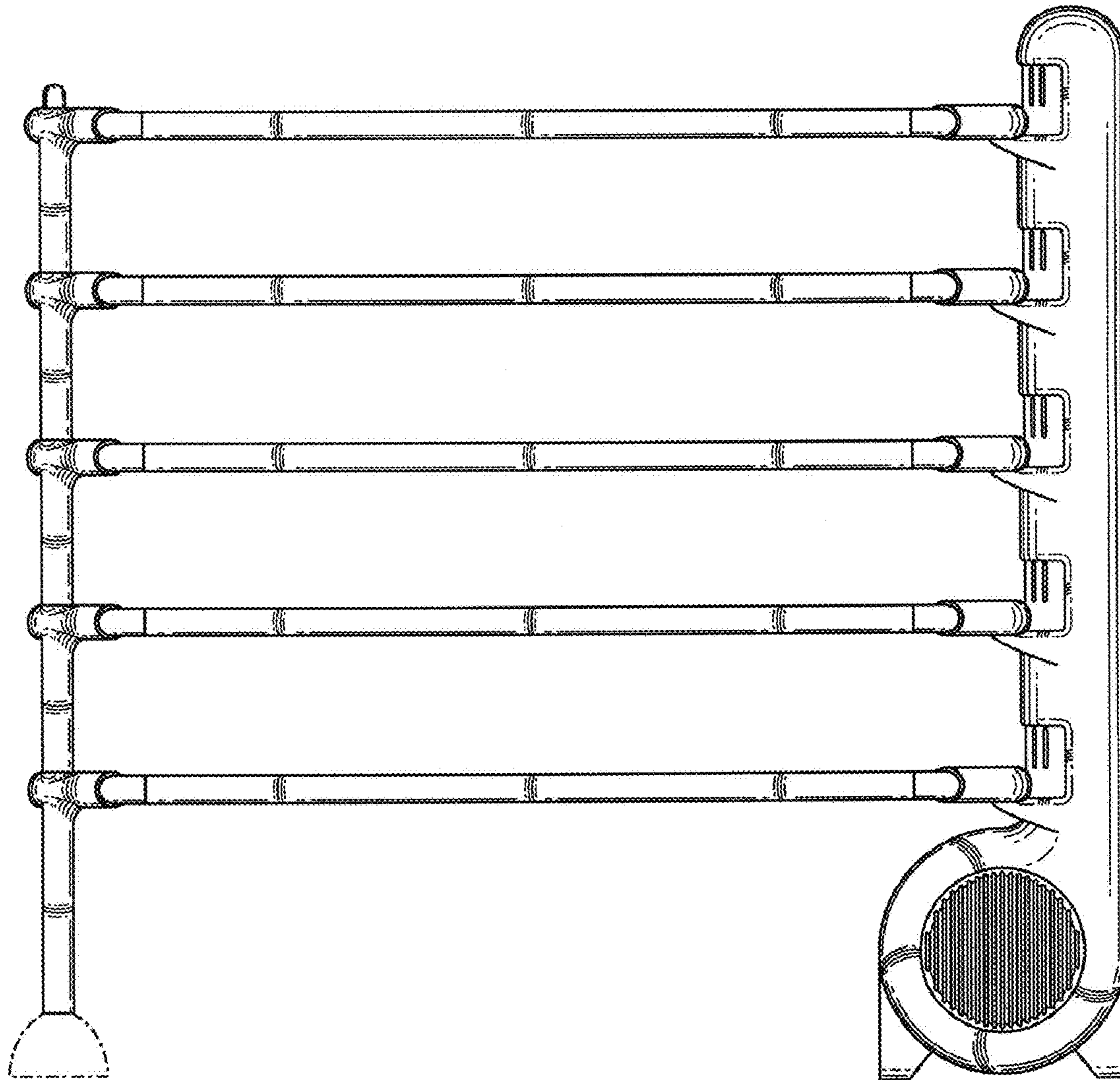
FIG. 1



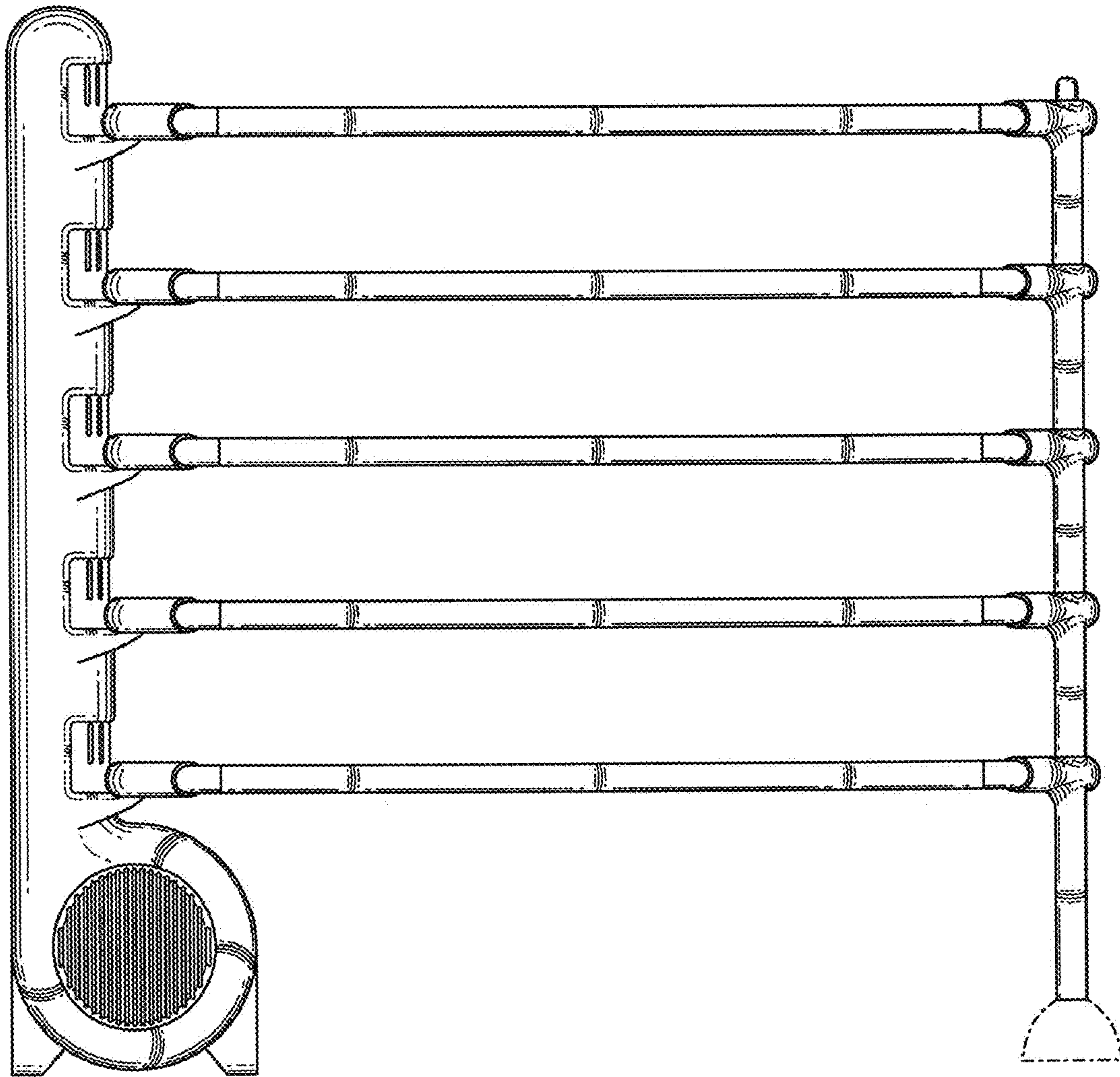
**FIG. 2**



**FIG. 3**



**FIG. 4**



**FIG. 5**

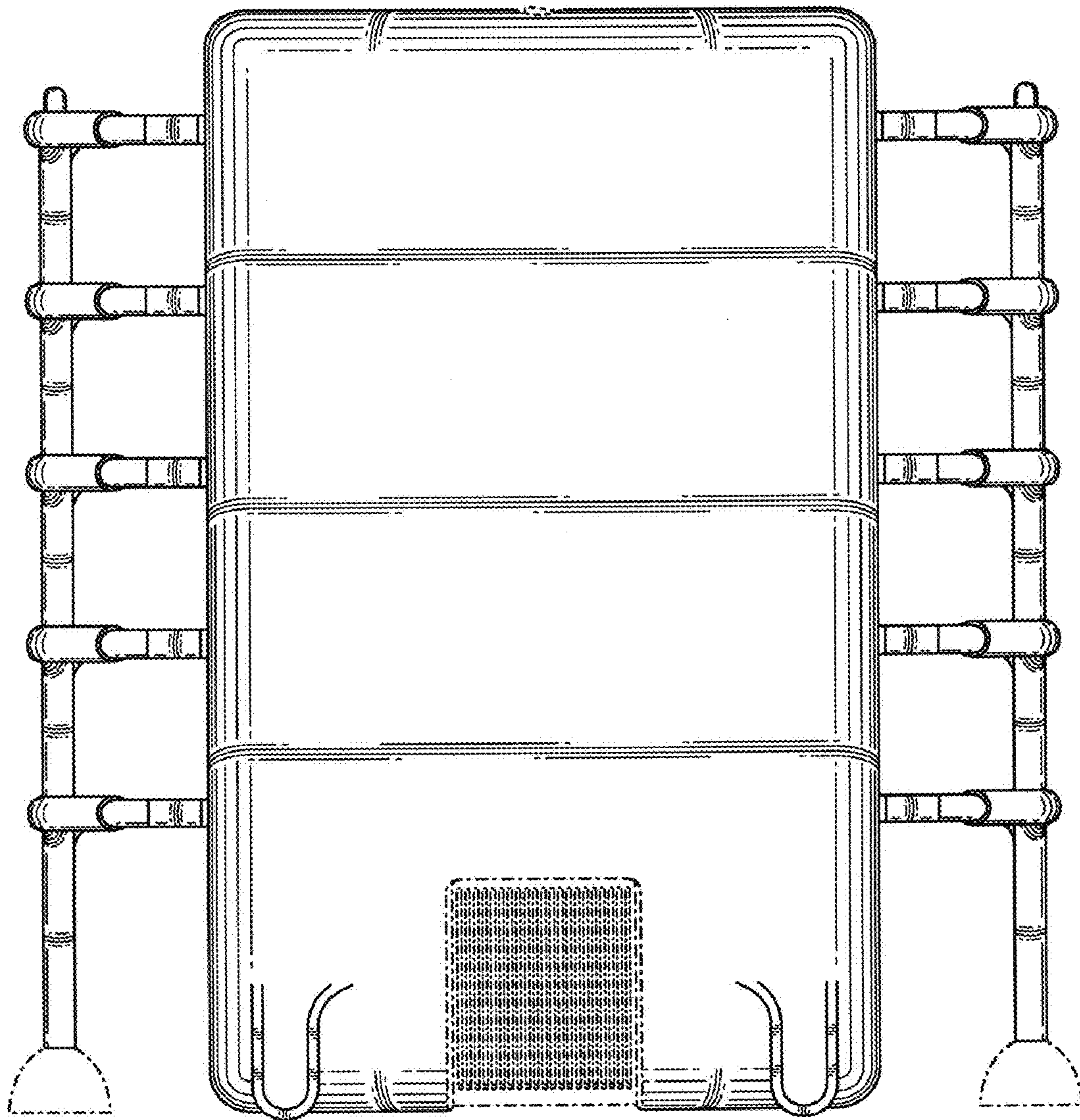
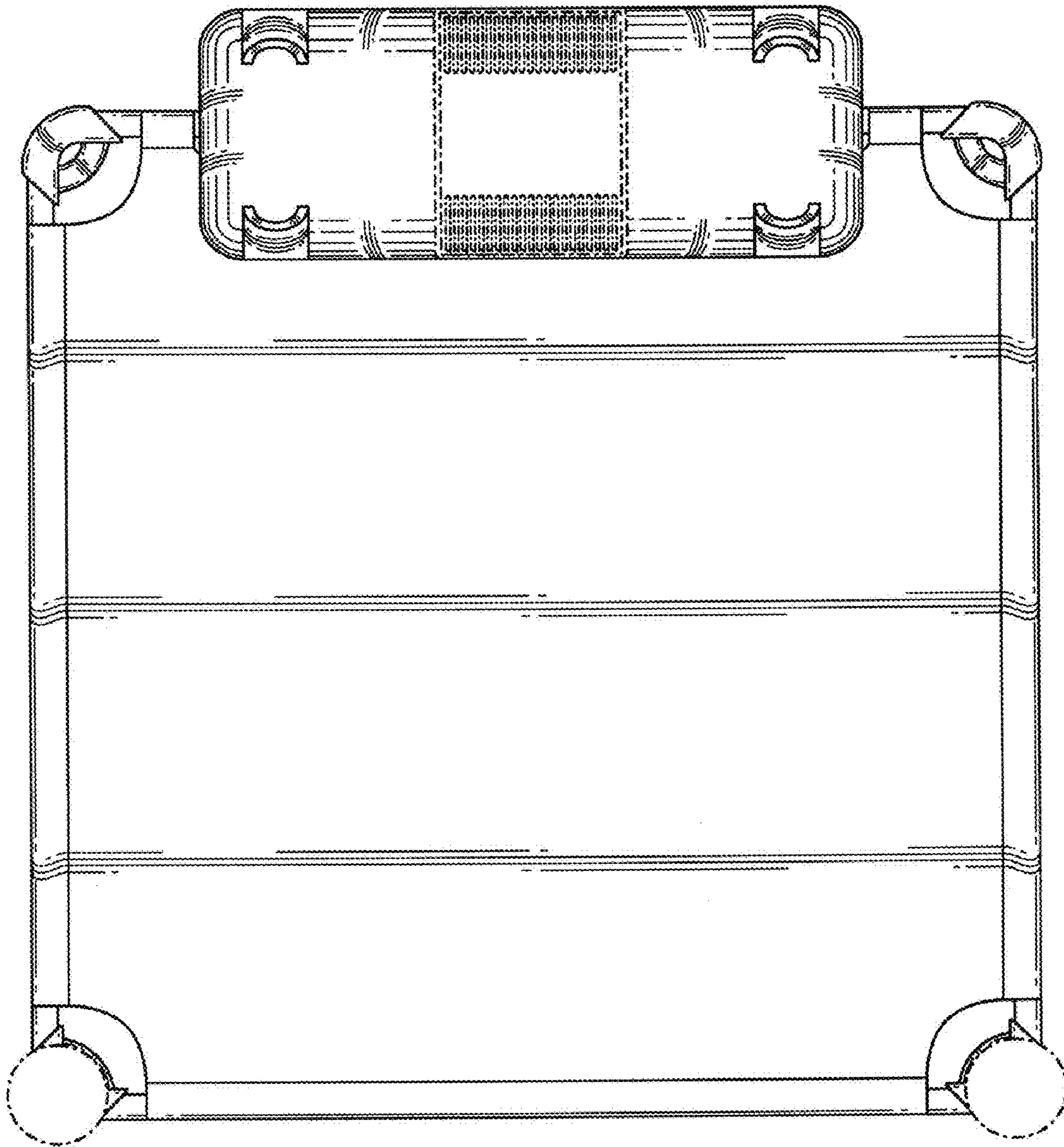


FIG. 6



**FIG. 7**



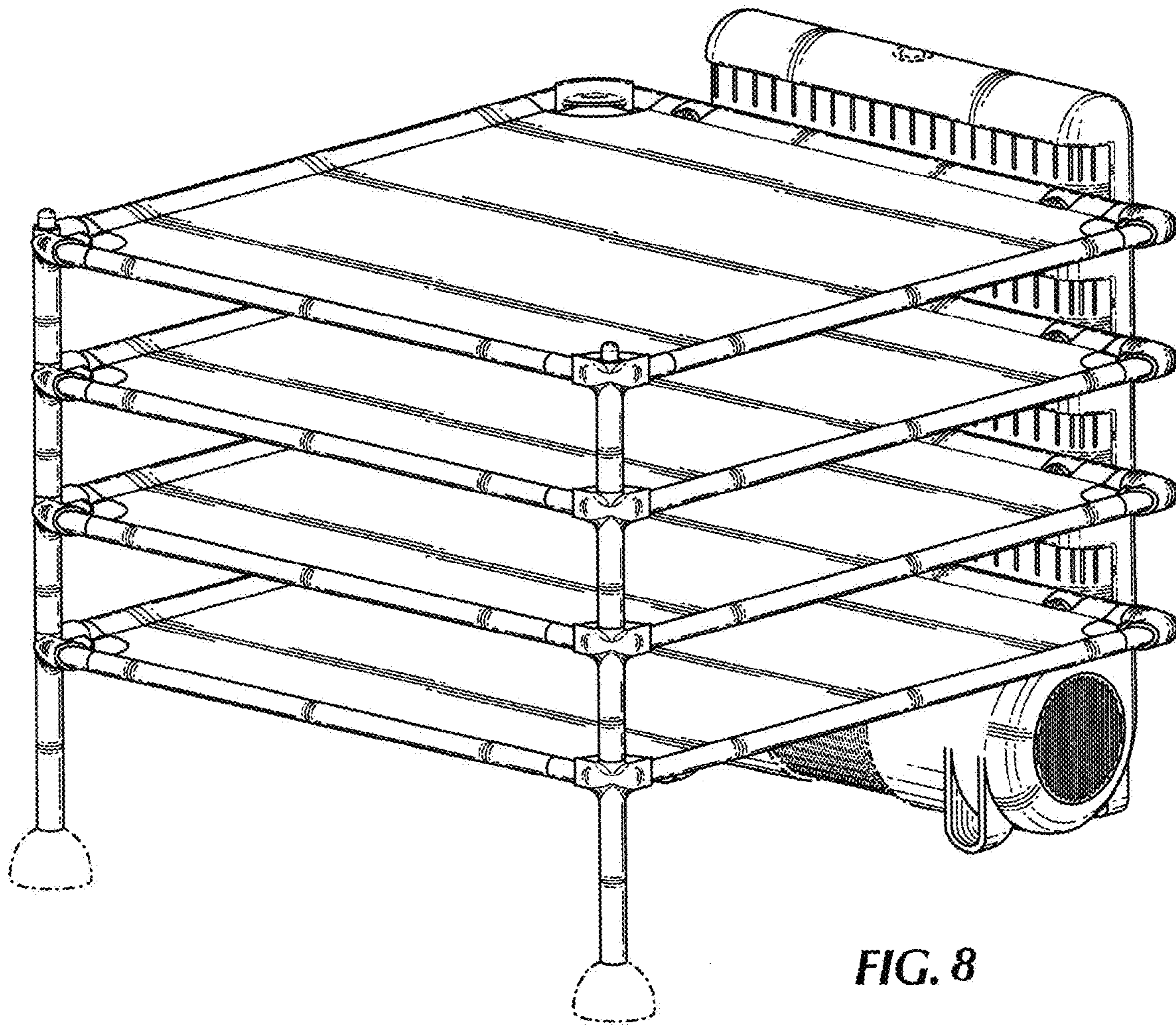
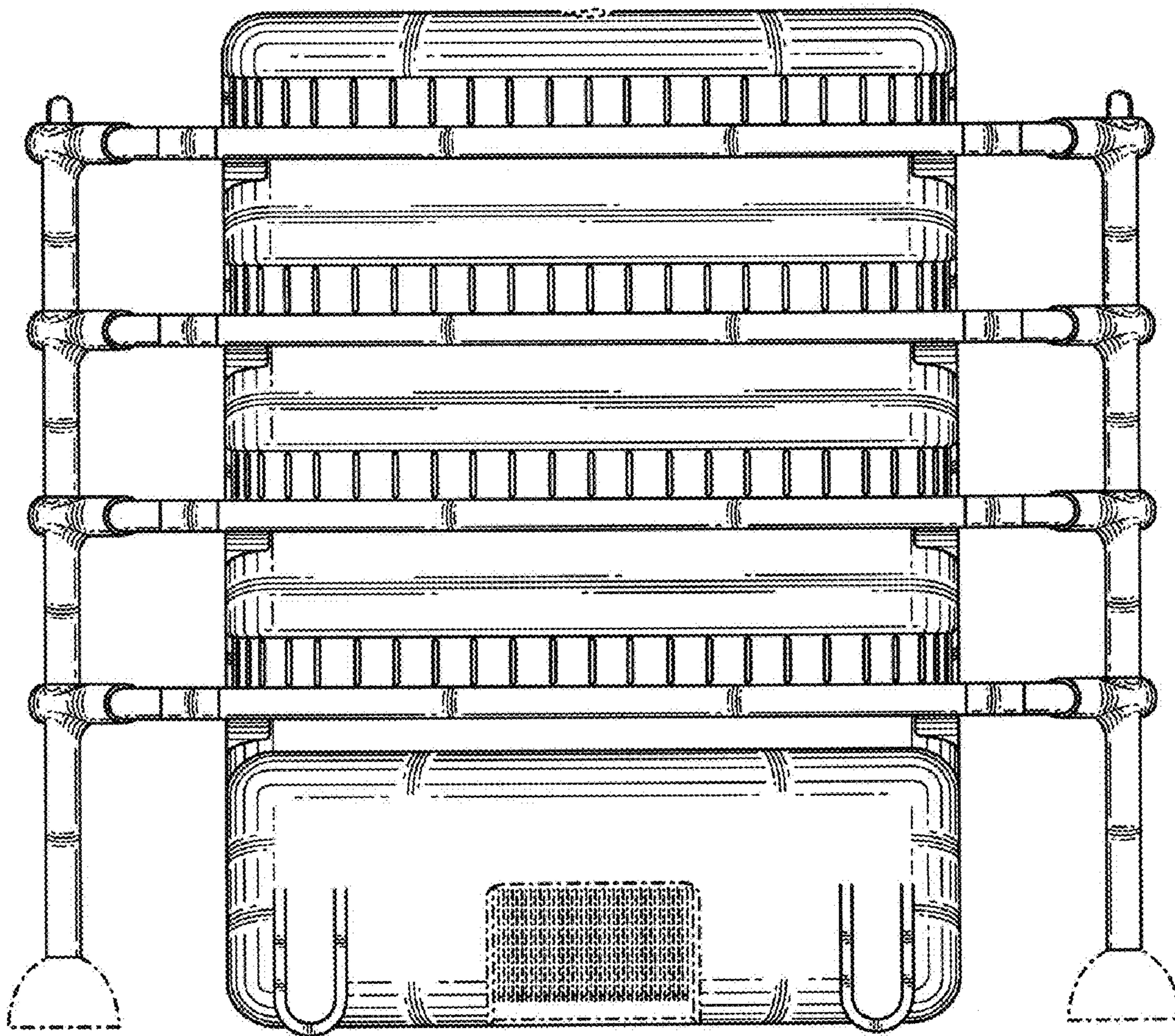
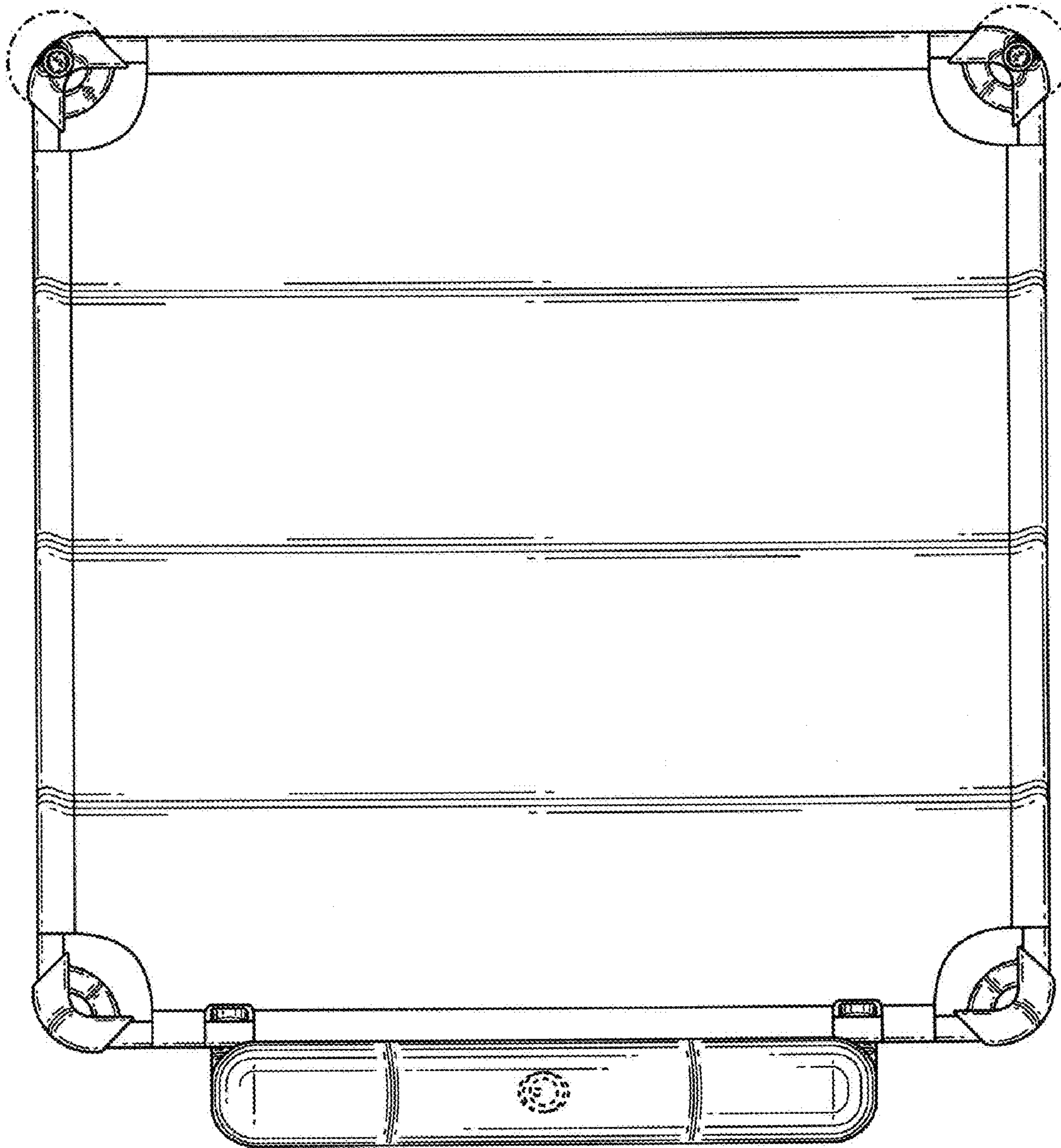


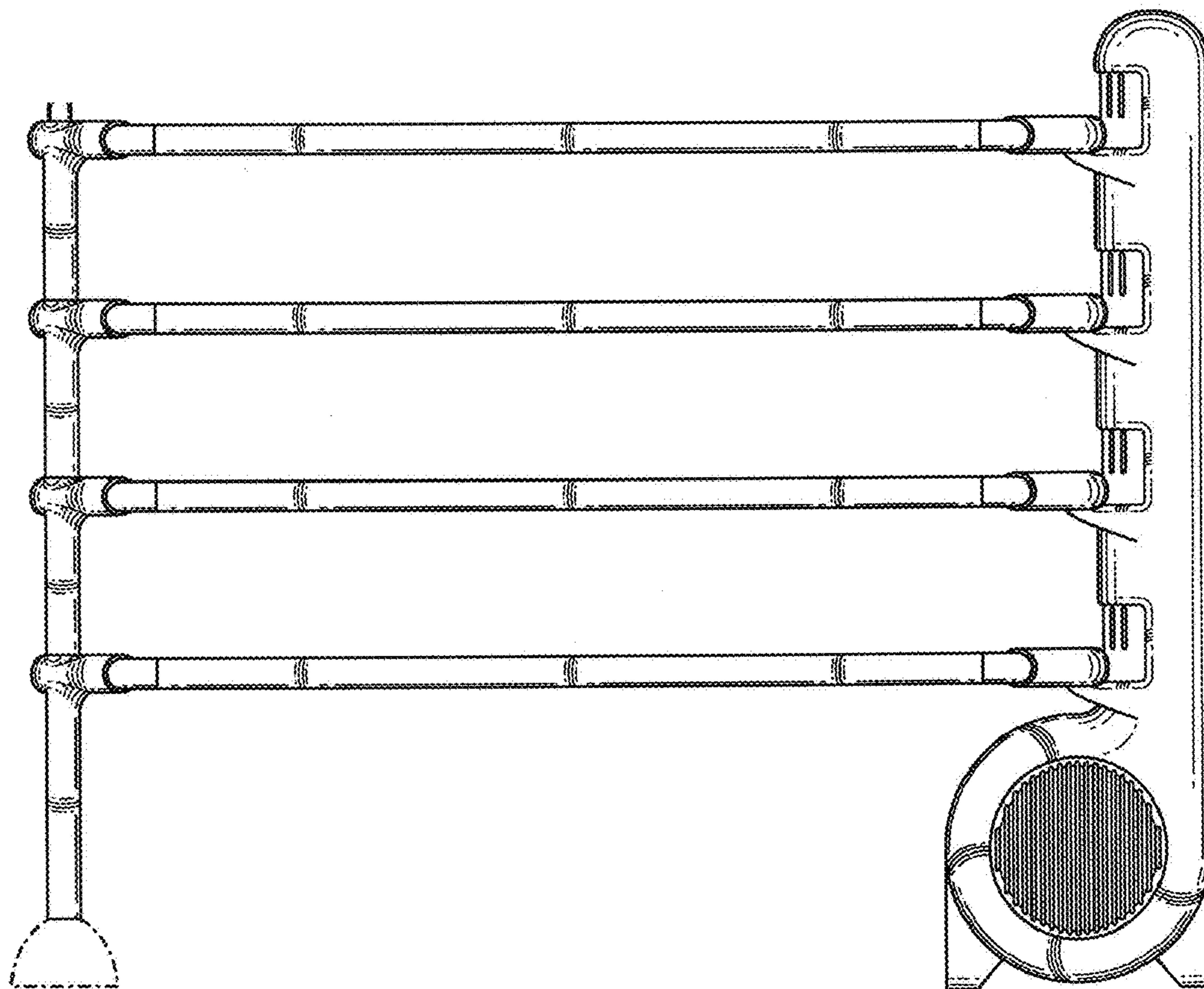
FIG. 8



**FIG. 9**



**FIG. 10**



**FIG. 11**

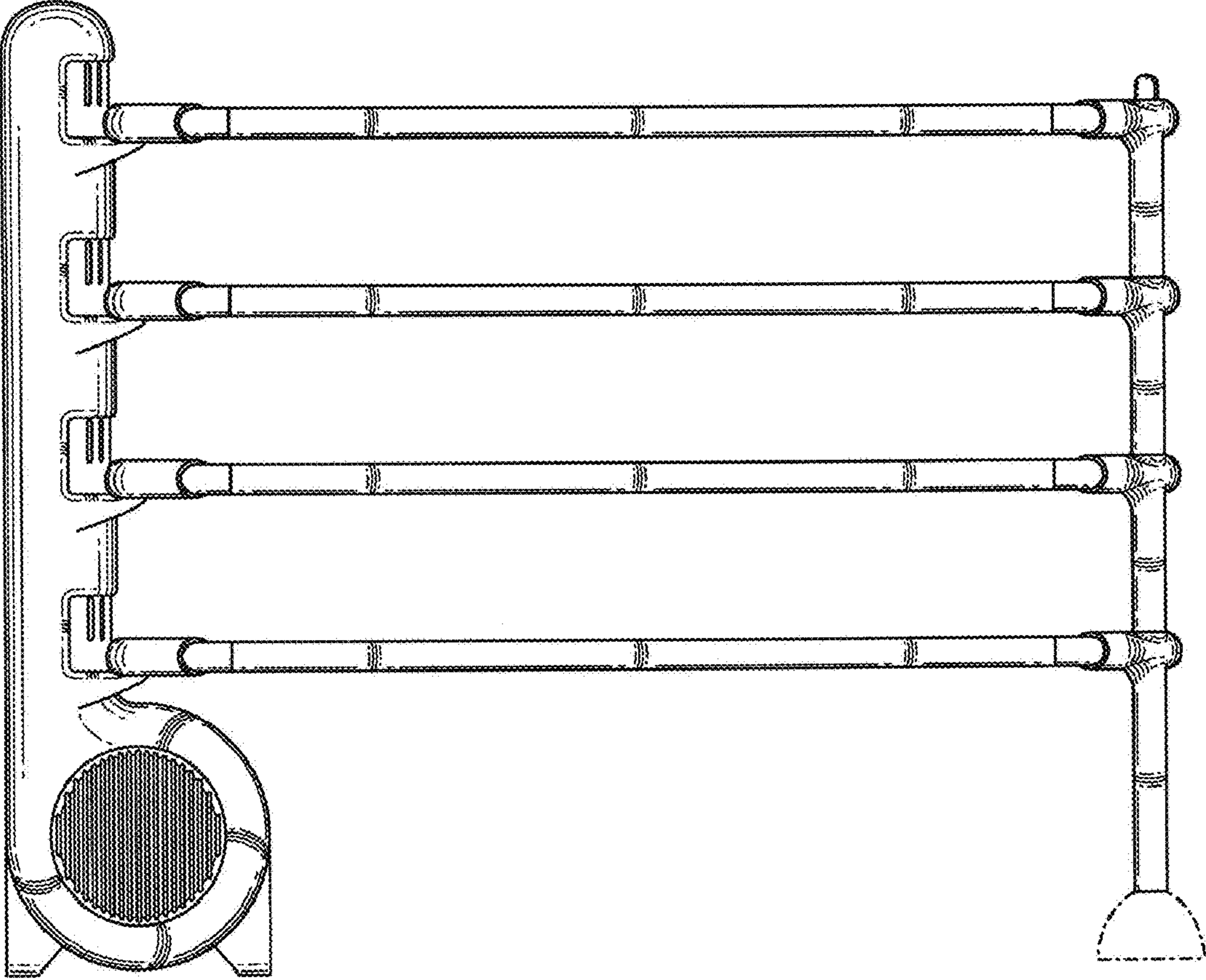
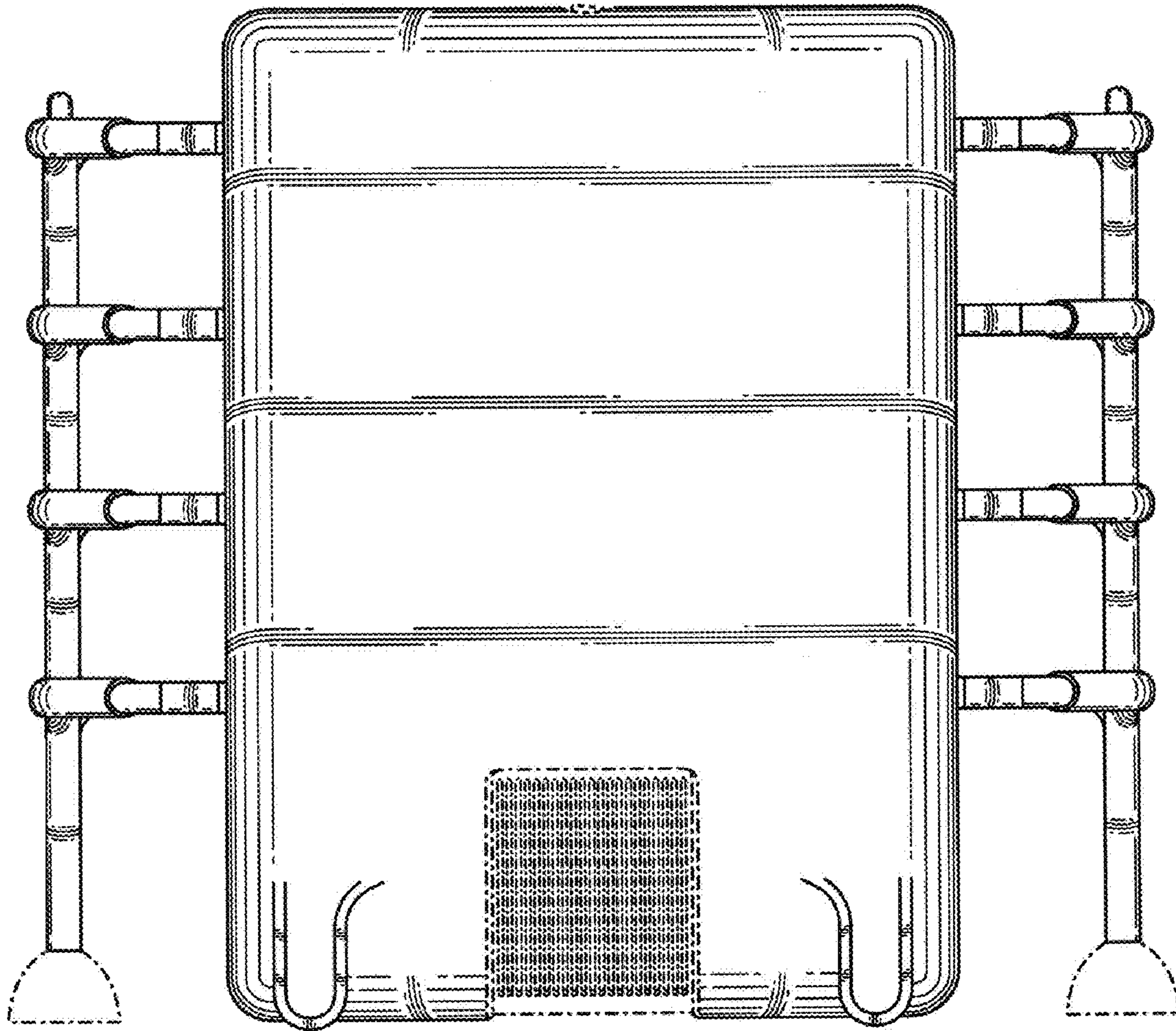
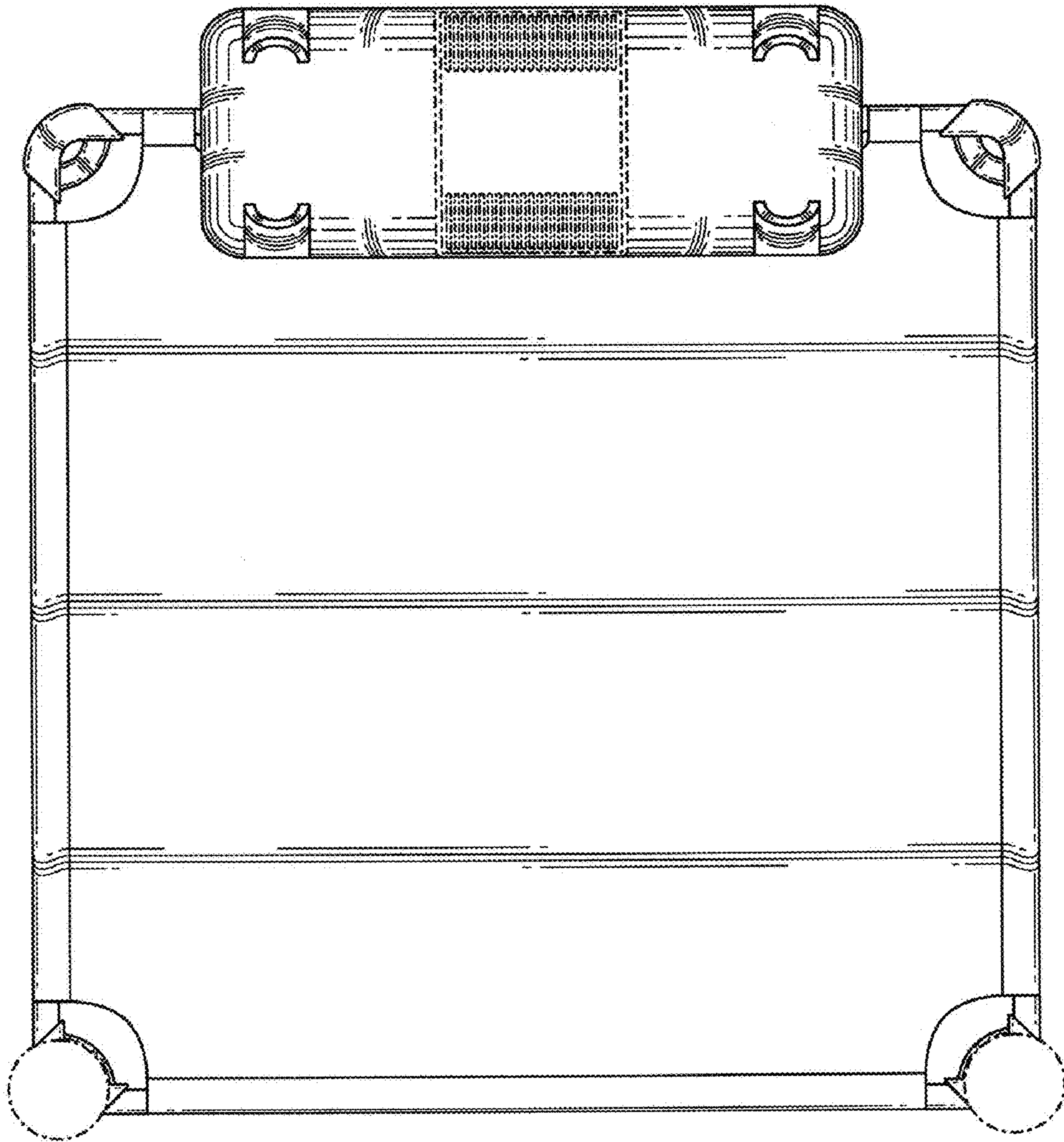


FIG. 12



**FIG. 13**



**FIG. 14**