



US00D552805S

(12) **United States Design Patent** (10) **Patent No.:** **US D552,805 S**
Holt, Jr. et al. (45) **Date of Patent:** **** Oct. 9, 2007**

- (54) **ANIMAL TRAINING HEAD COLLAR**
- (75) Inventors: **Robert C. Holt, Jr.**, North Canton, OH (US); **John W. Brandjes**, Alliance, OH (US)
- (73) Assignee: **Coastal Pet Products, Inc.**, Alliance, OH (US)
- (**) Term: **14 Years**
- (21) Appl. No.: **29/259,124**
- (22) Filed: **May 3, 2006**

Related U.S. Application Data

- (63) Continuation-in-part of application No. 11/101,073, filed on Apr. 8, 2005, now abandoned.
- (51) **LOC (8) Cl.** **30-04**
- (52) **U.S. Cl.** **D30/152**
- (58) **Field of Classification Search** D30/151-153; 119/792-794, 821, 831, 856, 863, 864, 907, 119/814, 834, 835, 815, 712; 54/24, 6.1, 54/6.2
- See application file for complete search history.

(56) **References Cited**

U.S. PATENT DOCUMENTS

- 4,621,591 A * 11/1986 Anderson et al. 119/831
D289,810 S * 5/1987 Kotas D30/152
4,838,206 A 6/1989 Anderson et al. 119/130
4,941,313 A 7/1990 Anderson et al. 54/24
5,038,717 A * 8/1991 Bent 119/815
5,074,011 A 12/1991 Carlson 24/170
5,088,272 A 2/1992 Anderson et al. 54/24
D378,150 S * 2/1997 DuBarry D30/152

- 5,732,660 A * 3/1998 David et al. 119/792
D458,717 S 6/2002 Mugford D30/152
2002/0073936 A1 * 6/2002 Fields-Babineau 119/863

OTHER PUBLICATIONS

Gentle Leader Instructions, Premier Pet Products, LLC, Richmond, Virginia, 1 page.
Halti Instructions, The Company of Animals Ltd., United Kingdom, 1 page (2001).
“Paulchen®”, Pet-Acc.’s Joachim Merkert, Germany, 3 pages (1991).

* cited by examiner

Primary Examiner—Catherine Tuttle
Assistant Examiner—Susan Moon Lee

(74) *Attorney, Agent, or Firm*—Renner, Kenner, Greive, Bobak, Taylor & Weber

(57) **CLAIM**

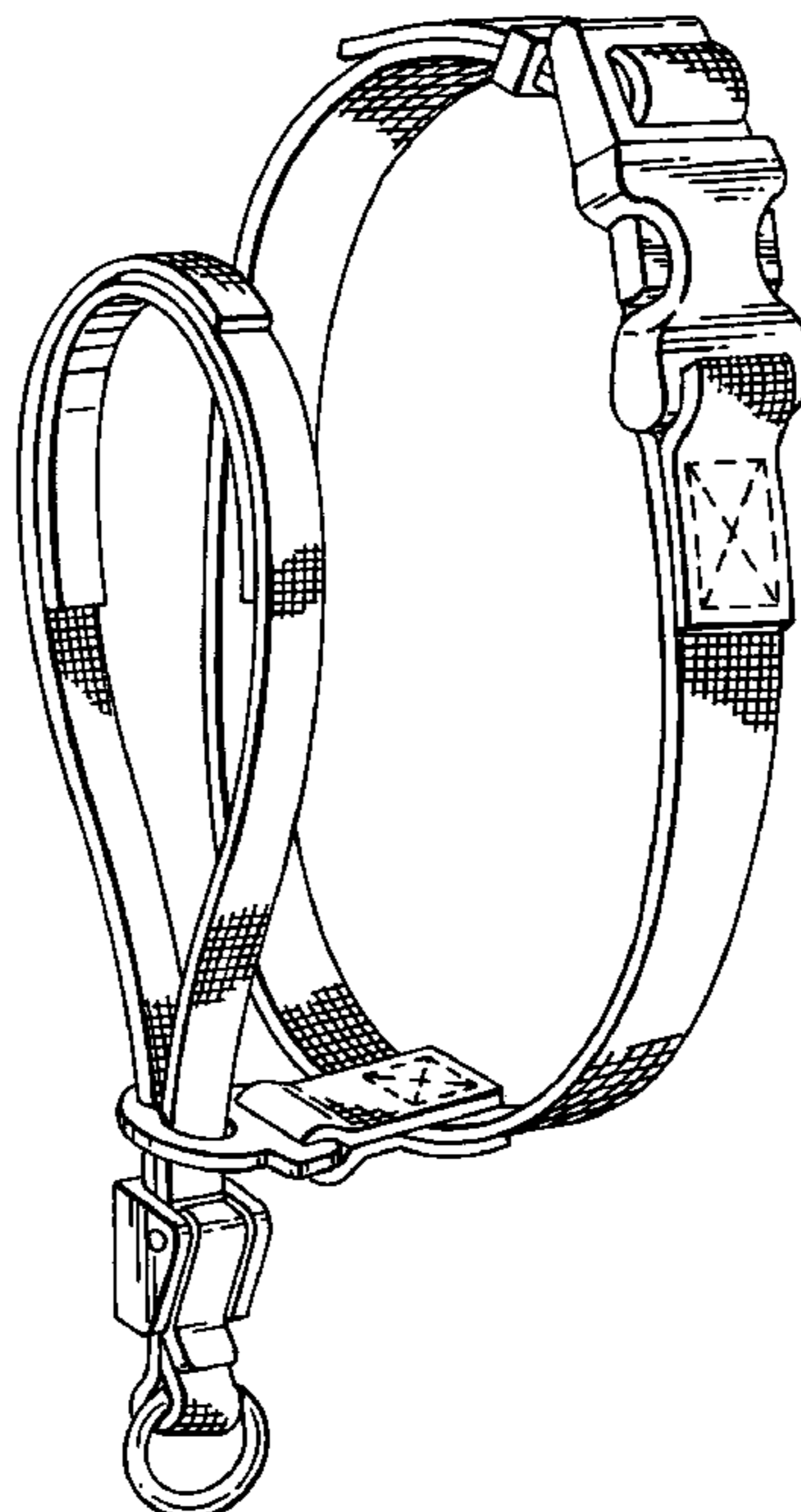
The ornamental design for a animal training head collar, as shown and described.

DESCRIPTION

FIG. 1 is a top, front, right side perspective view of an animal training head collar showing our new design;
FIG. 2 is a front elevation view thereof;
FIG. 3 is a rear elevational view thereof;
FIG. 4 is a right side elevational view thereof;
FIG. 5 is a left side elevational view thereof;
FIG. 6 is a top plan view thereof; and,
FIG. 7 is a bottom plan view thereof.

The broken lines in the drawings are implemented to depict stitching and are part of the claimed design.

1 Claim, 5 Drawing Sheets



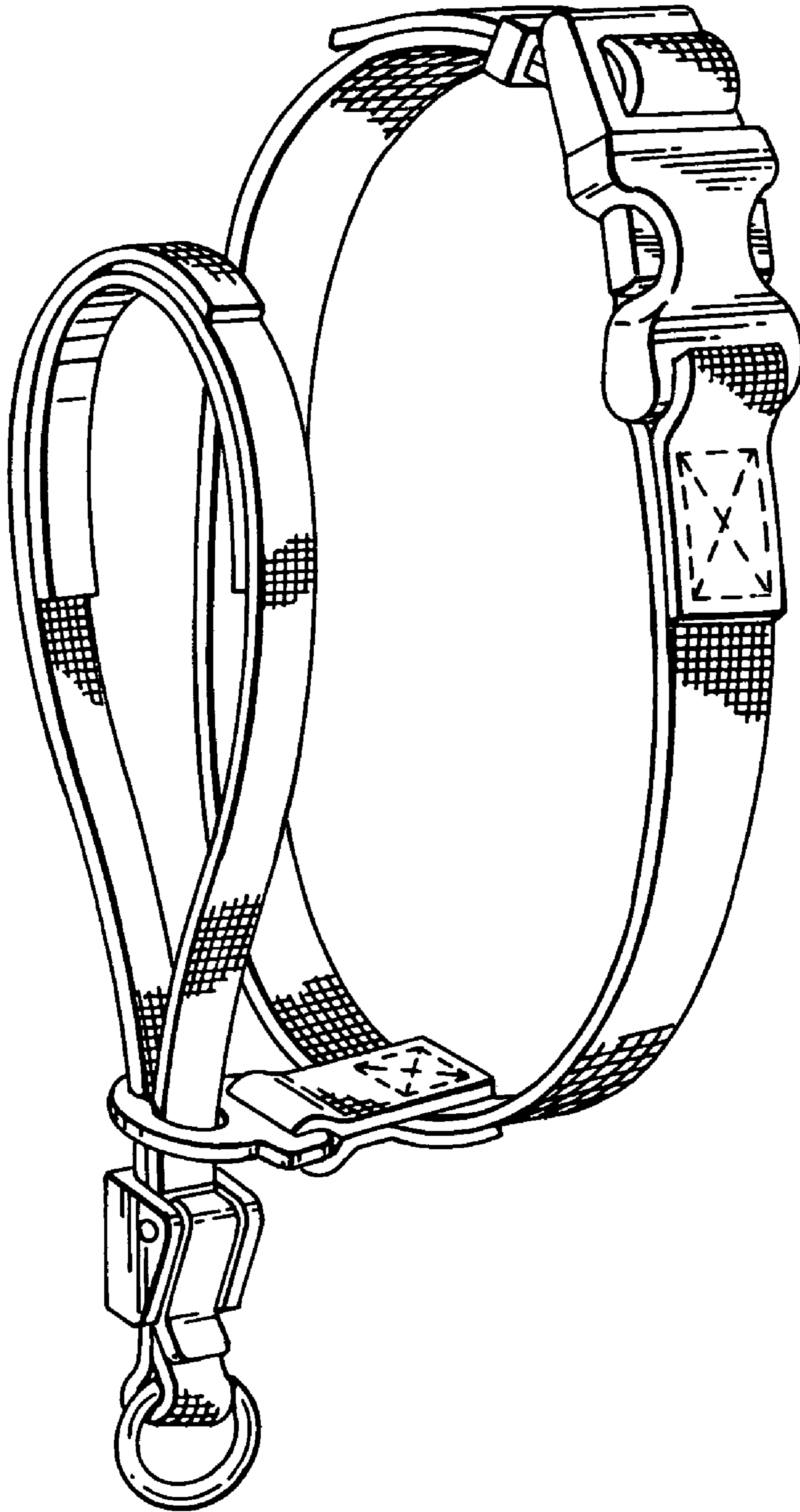


FIG. 1

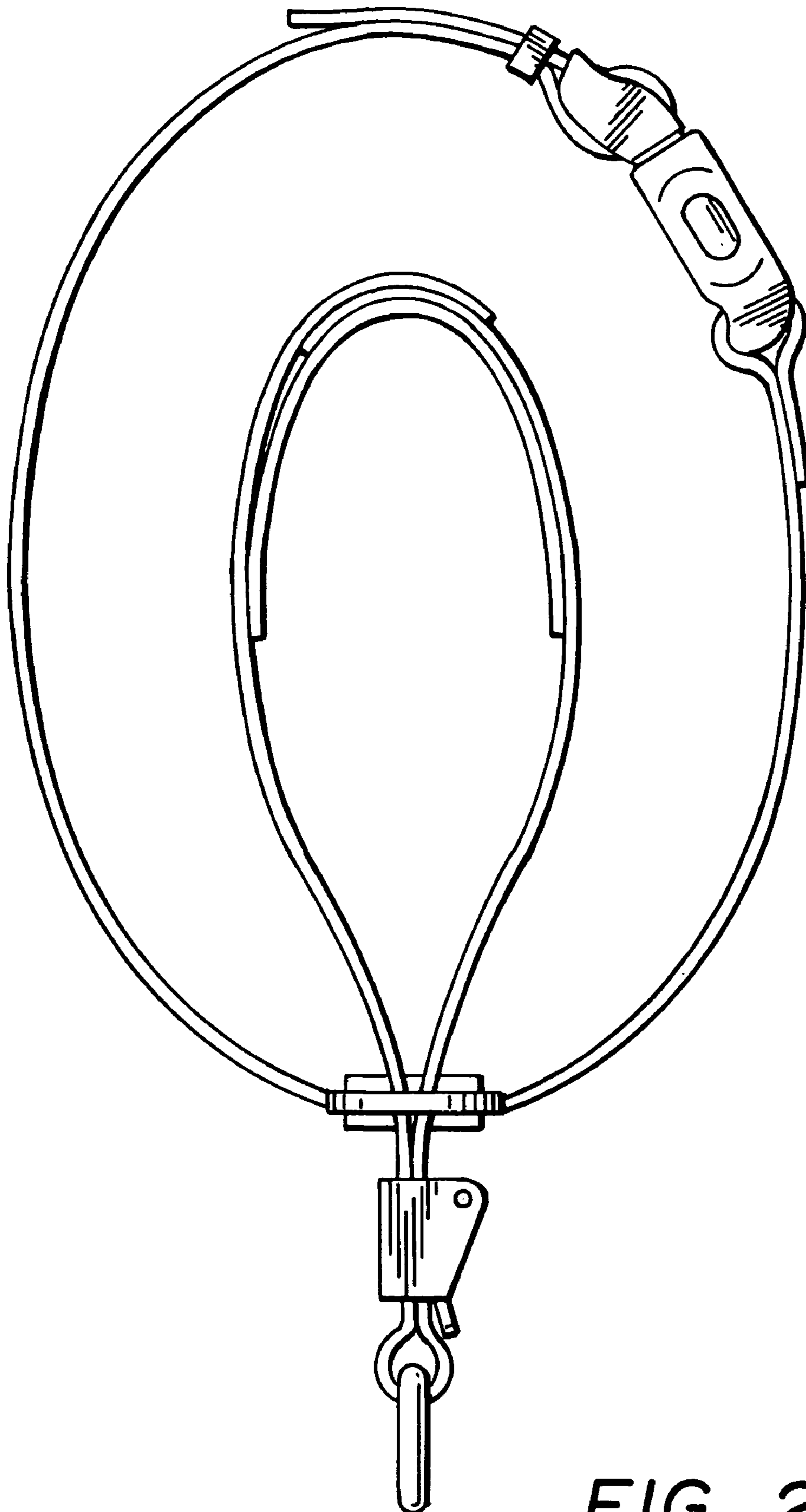


FIG. 2

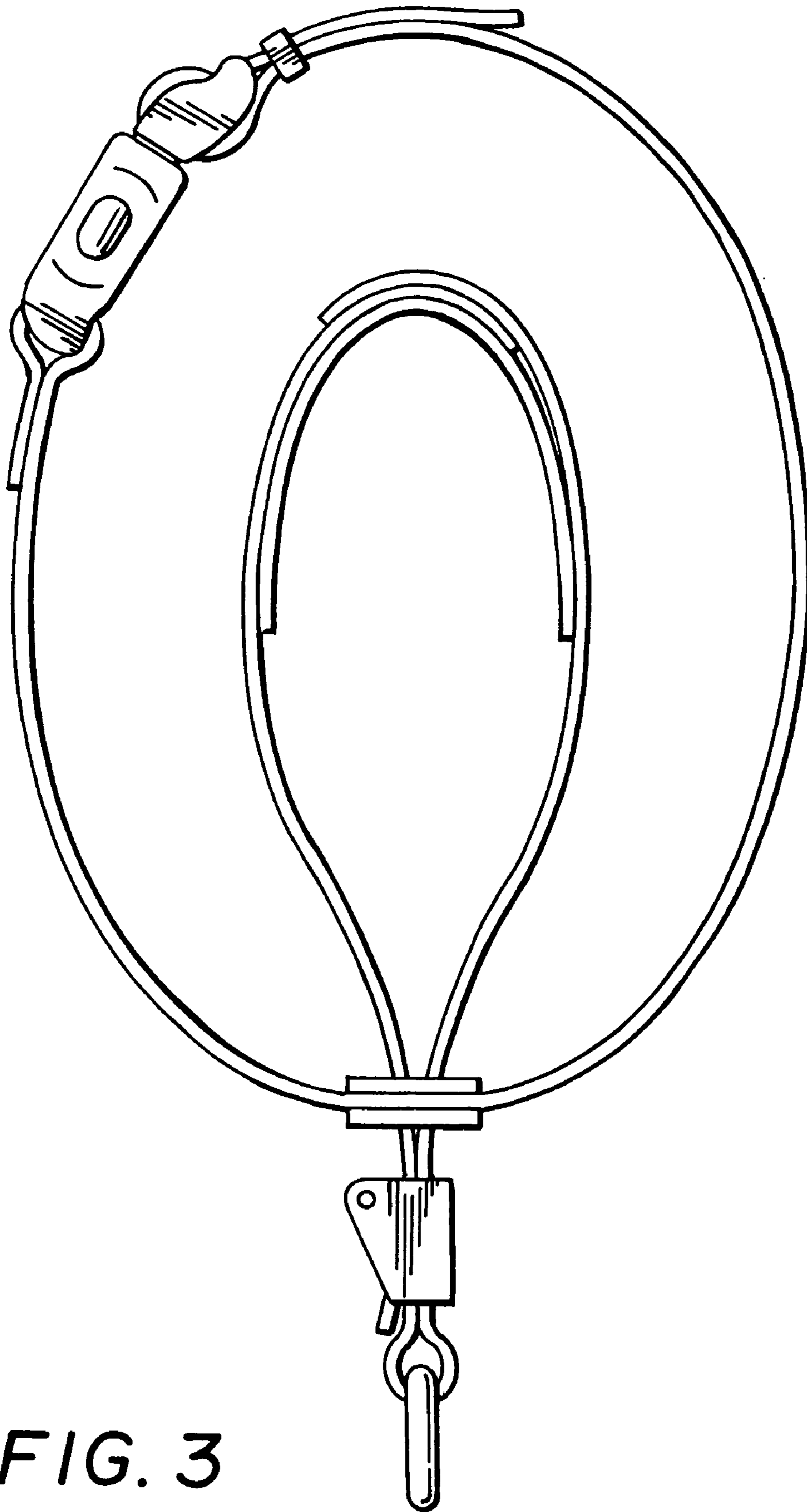
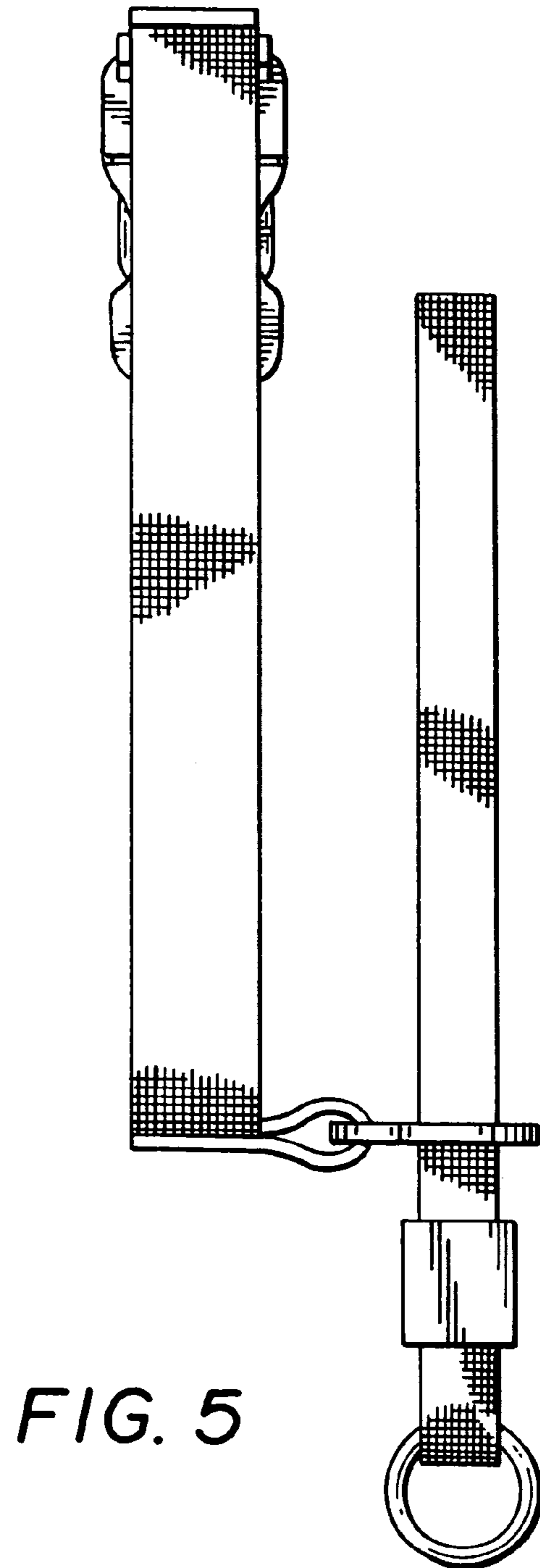
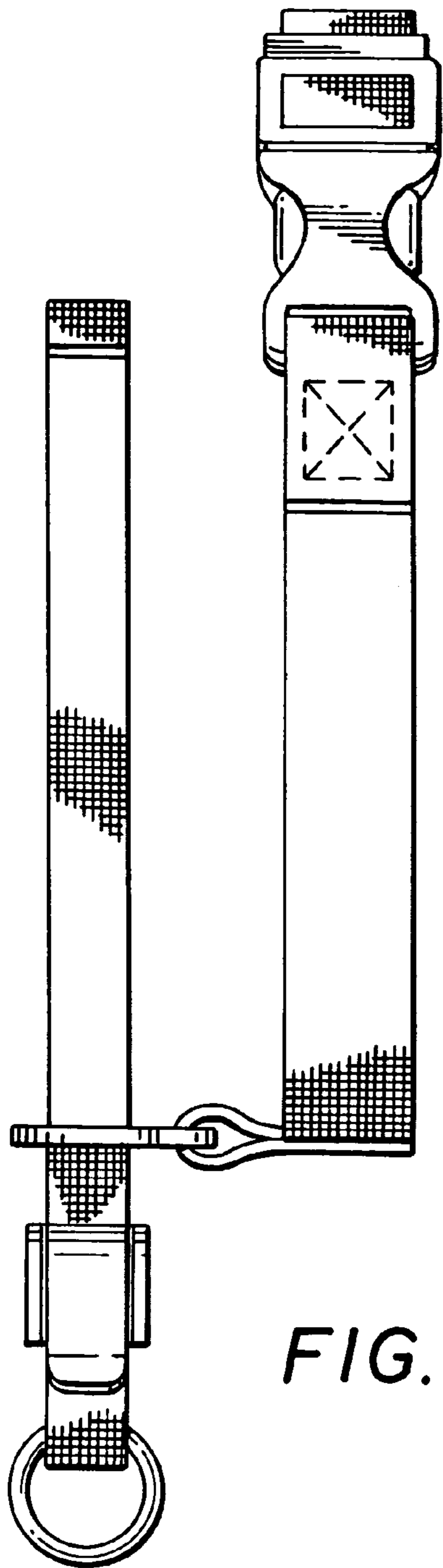


FIG. 3



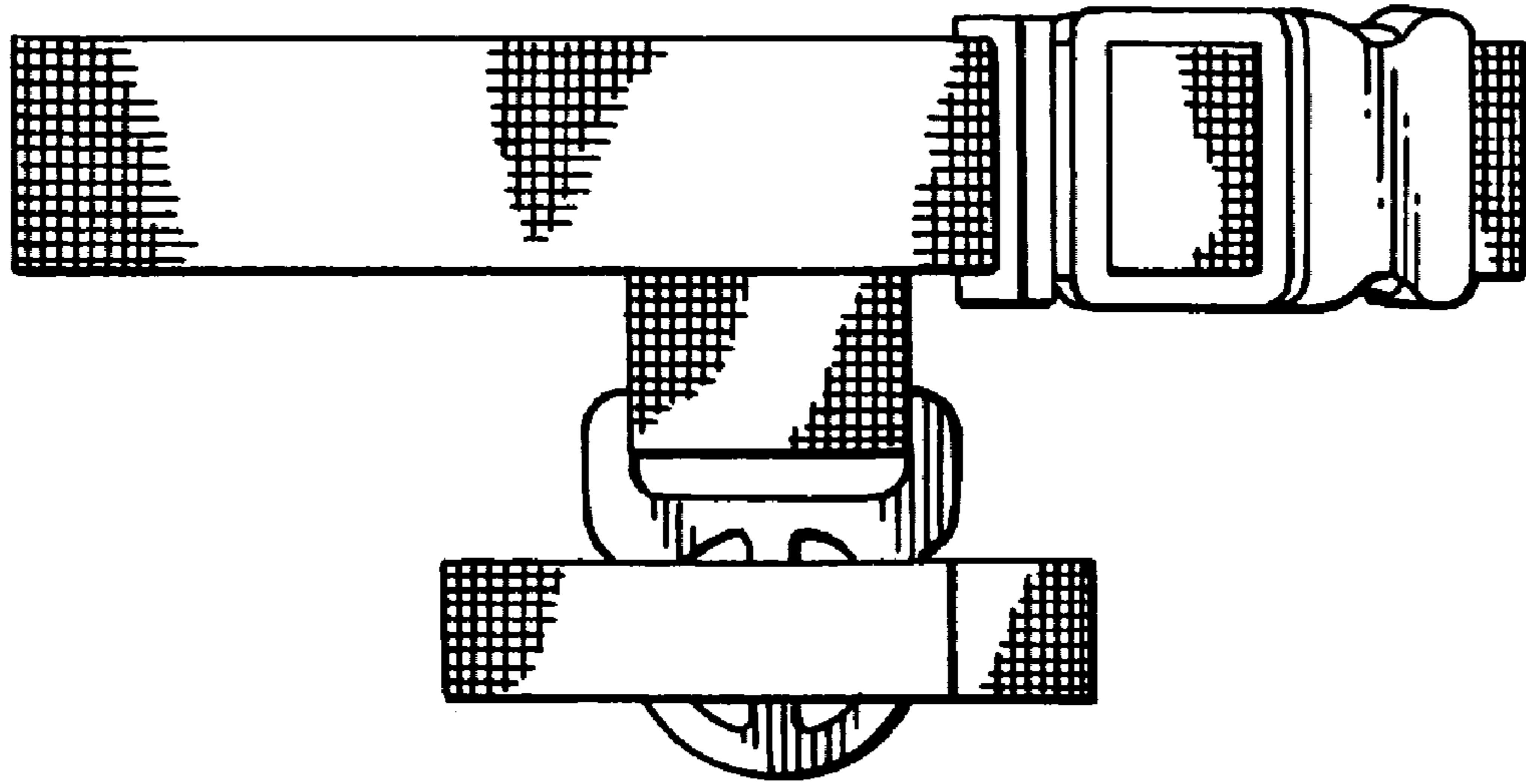


FIG. 6

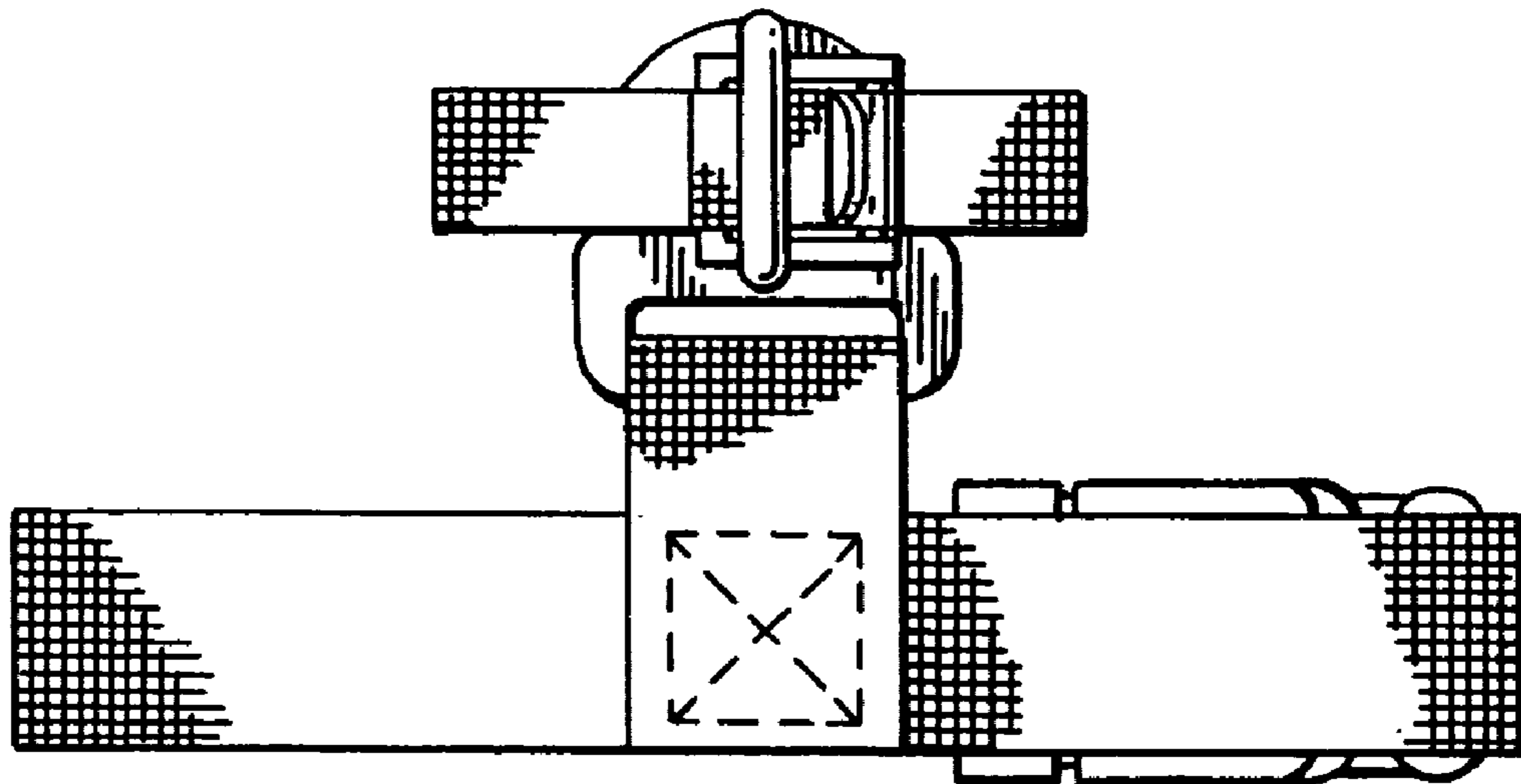


FIG. 7