



US00D552803S

(12) **United States Design Patent** (10) **Patent No.:** **US D552,803 S**
White (45) **Date of Patent:** **** Oct. 9, 2007**

(54) **PET DISH STAND**

(76) Inventor: **Dennis White**, 5304 Via Vicente, Yorba Linda, CA (US) 92887

(**) Term: **14 Years**

(21) Appl. No.: **29/260,615**

(22) Filed: **May 26, 2006**

(51) **LOC (8) Cl.** **30-03**

(52) **U.S. Cl.** **D30/133**

(58) **Field of Classification Search** D30/133,
D30/121, 128, 130, 132; D6/480-485, 493,
D6/495, 451, 497; 119/52.1, 55, 61.5-61.56;
248/188; 312/204; 108/153.1-157

See application file for complete search history.

(56) **References Cited**

U.S. PATENT DOCUMENTS

D200,413 S *	2/1965	Pearsall	D6/495
D203,197 S *	12/1965	Beckman et al.	D6/495
D216,471 S *	1/1970	Dixou	D6/488
D234,565 S *	3/1975	Andrus	D6/495
D237,572 S *	11/1975	Koyama	D6/495
D249,605 S *	9/1978	Skermetta	D6/539
D292,446 S *	10/1987	Gilbert	D3/238
4,763,604 A *	8/1988	Meekins	119/28.5
D298,671 S *	11/1988	Simerson	D30/130
D300,068 S *	2/1989	Pritikin	D30/129
D310,691 S *	9/1990	Axelrod	D21/444
D384,985 S *	10/1997	Cronic	D21/440
D394,414 S *	5/1998	Catalano	D11/133
D394,568 S *	5/1998	Westerburgen	D6/495
D401,761 S *	12/1998	Sandmann et al.	D3/238
6,209,487 B1 *	4/2001	Quinlan et al.	119/51.01
D442,714 S *	5/2001	Warden	D26/38
D445,142 S *	7/2001	Dupont	D21/386
D447,186 S *	8/2001	Flippo	D21/391
D452,784 S *	1/2002	Lewis	D6/495
D453,642 S *	2/2002	Mascheroni	D6/495
D470,350 S *	2/2003	Muggleton	D6/495
D476,808 S *	7/2003	Carr	D3/271.2

D479,564 S *	9/2003	Carr	D21/376
D487,823 S *	3/2004	Wang	D30/118
D498,955 S *	11/2004	Edwards	D6/515
D517,842 S *	3/2006	Diekman	D6/495

* cited by examiner

Primary Examiner—M. H. Tung

Assistant Examiner—Susan Moon Lee

(74) *Attorney, Agent, or Firm*—The Walker Law Firm; Allan Grant

(57) **CLAIM**

I claim the ornamental design for a pet dish stand, as shown and described.

DESCRIPTION

The pet dish stand is comprised of three parts, which are attached together to form the stand. The pet dish stand can be used to support bowls, trays, and/or any other items. Those bowls, trays, or items could contain food and/or water for a pet. In fact, the pet dish stand can also be used as a stand to store a pet's toys. Those toys could be placed directly on the stand or on a tray, in a container, and/or in other storage devices, which are positioned on the stand.

FIG. 1 is a perspective view of the pet dish stand showing the front, side, and top.

FIG. 2 is a perspective view of the pet dish stand shown disassembled.

FIG. 3 is another perspective view of the pet dish stand shown in use.

FIG. 4 is a side view of the pet dish stand.

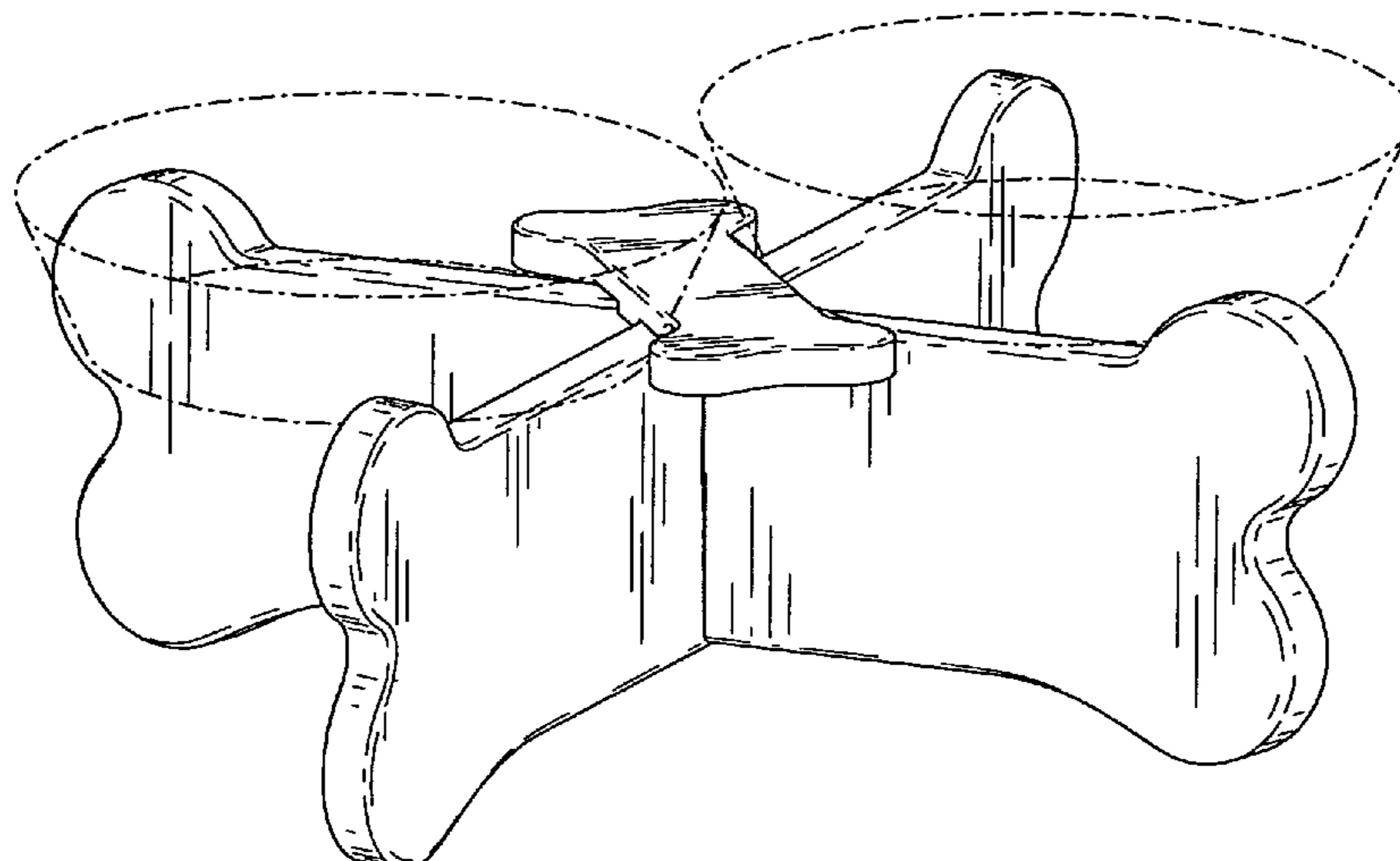
FIG. 5 is the other side view of the pet dish stand.

FIG. 6 is a top view of the pet dish stand; and,

FIG. 7 is a bottom view of the pet dish stand.

The broken lines in FIGS. 3, 4, 5, 6, and 7 displaying bowls are for illustrative purposes only and form no part of the claimed design.

1 Claim, 5 Drawing Sheets



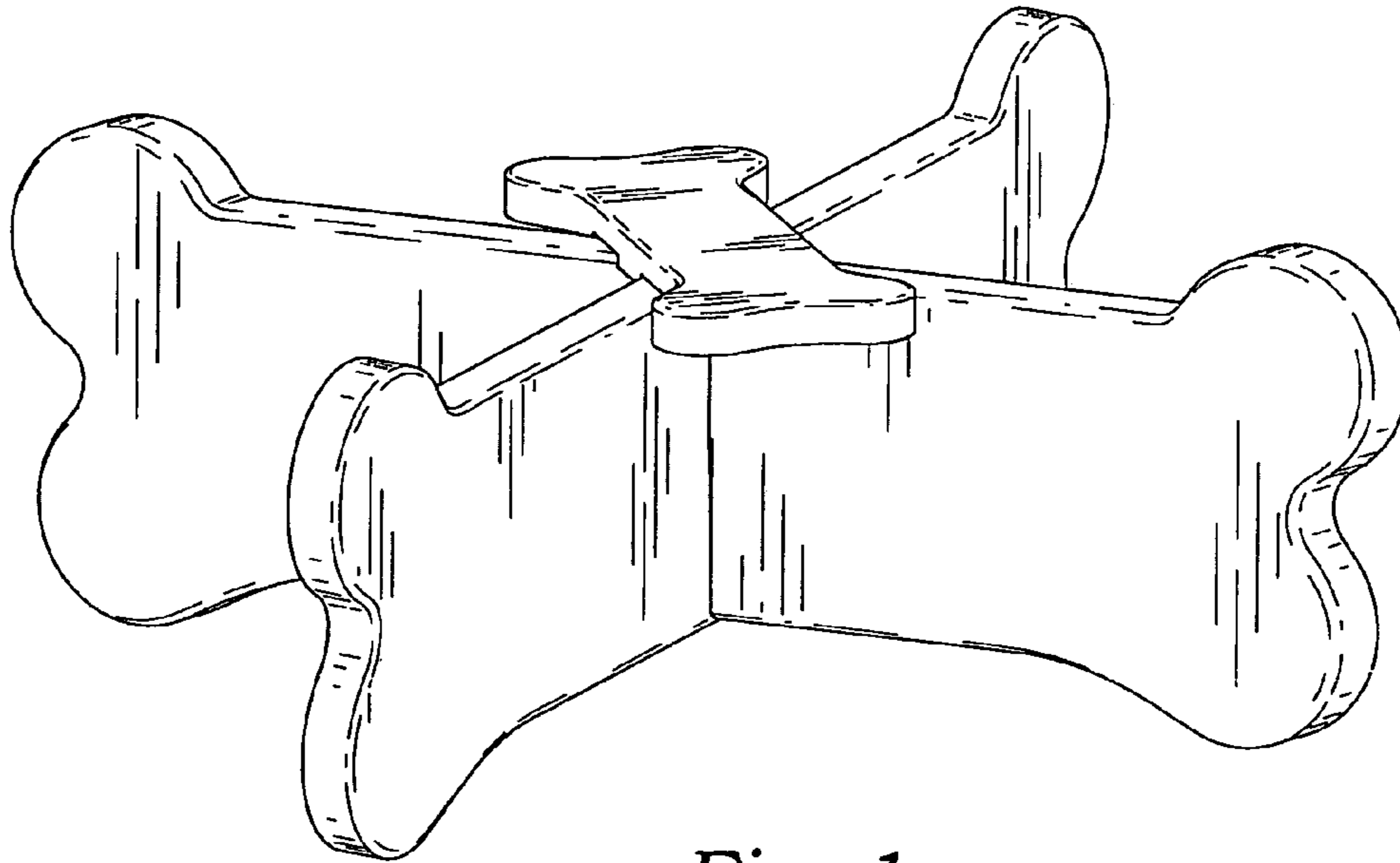


Fig. 1

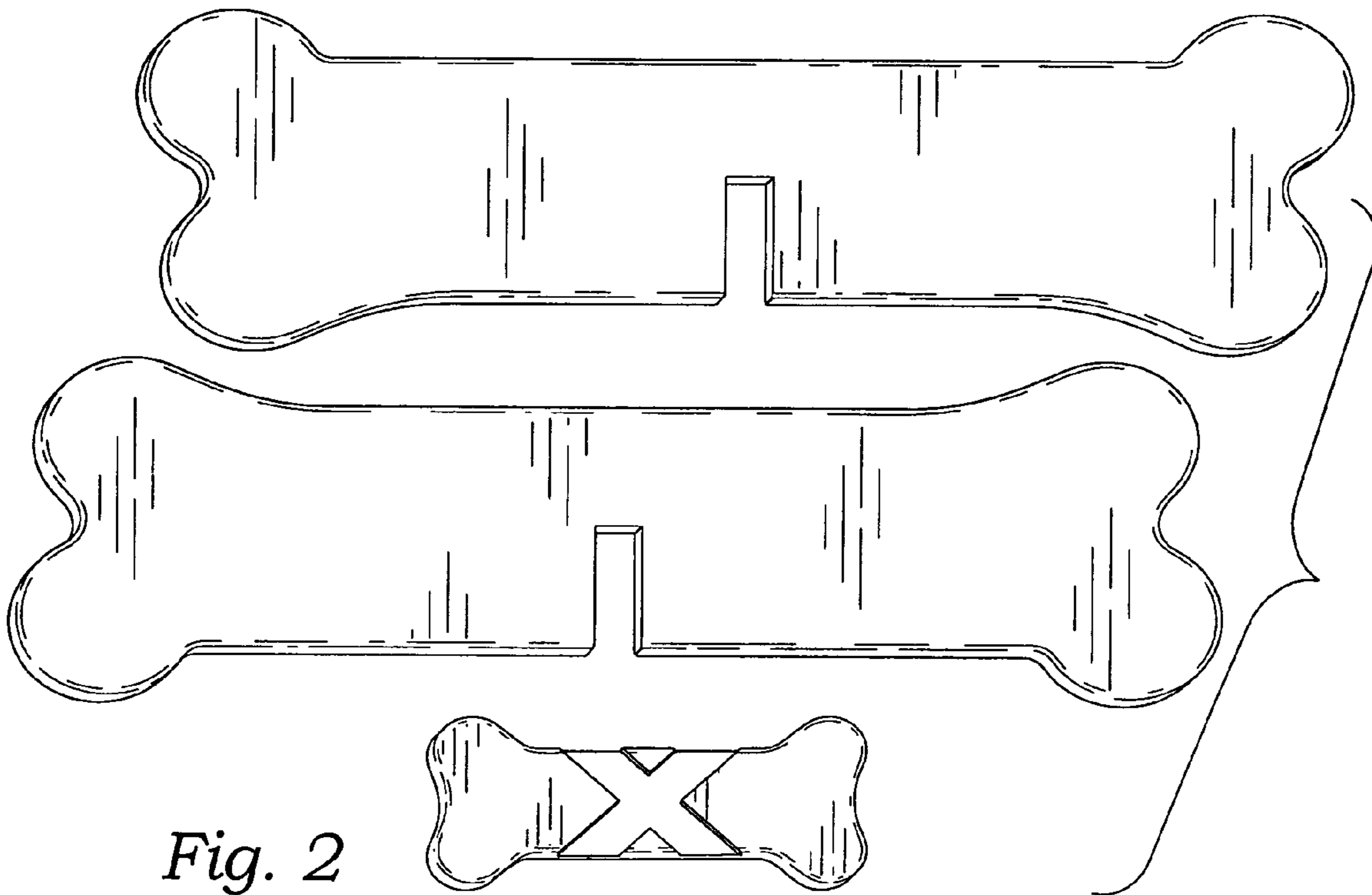


Fig. 2

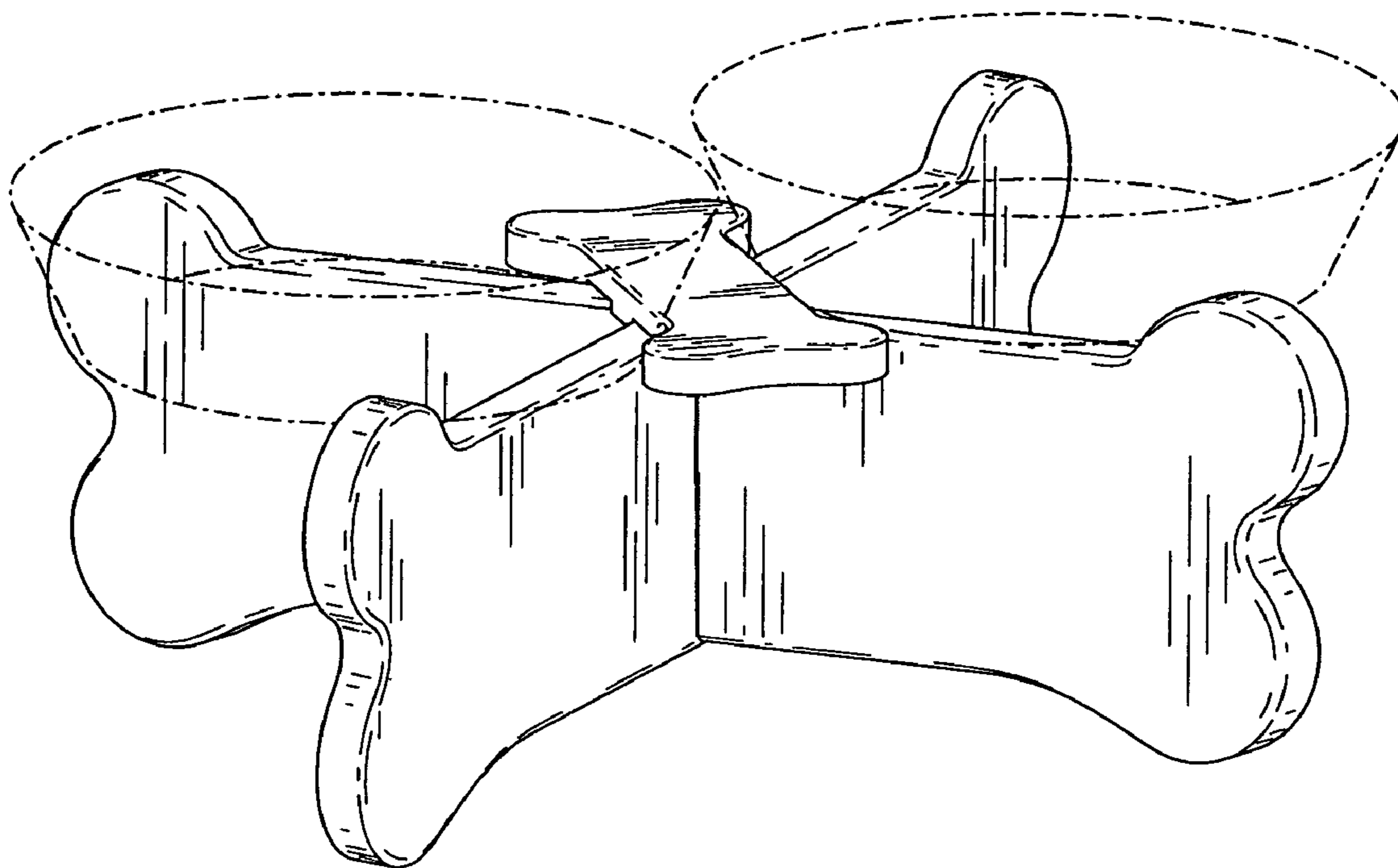


Fig. 3

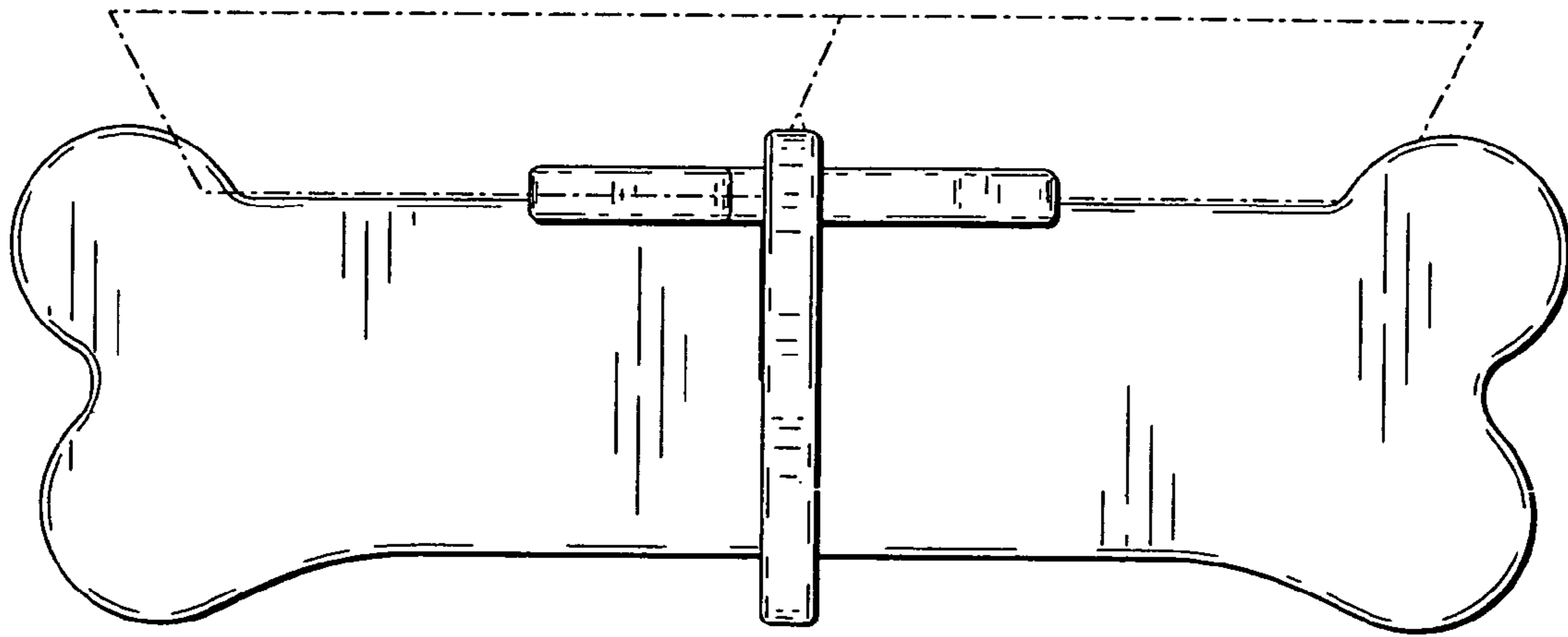


Fig. 4

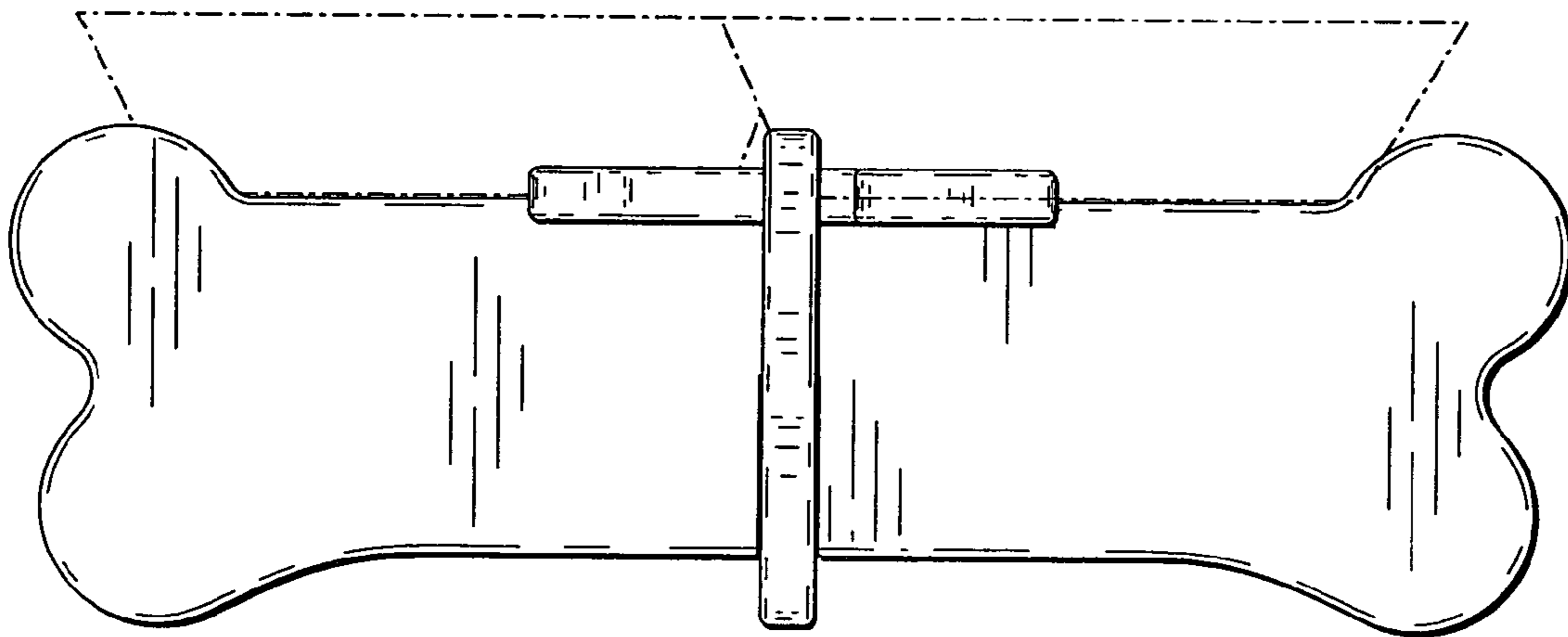


Fig. 5

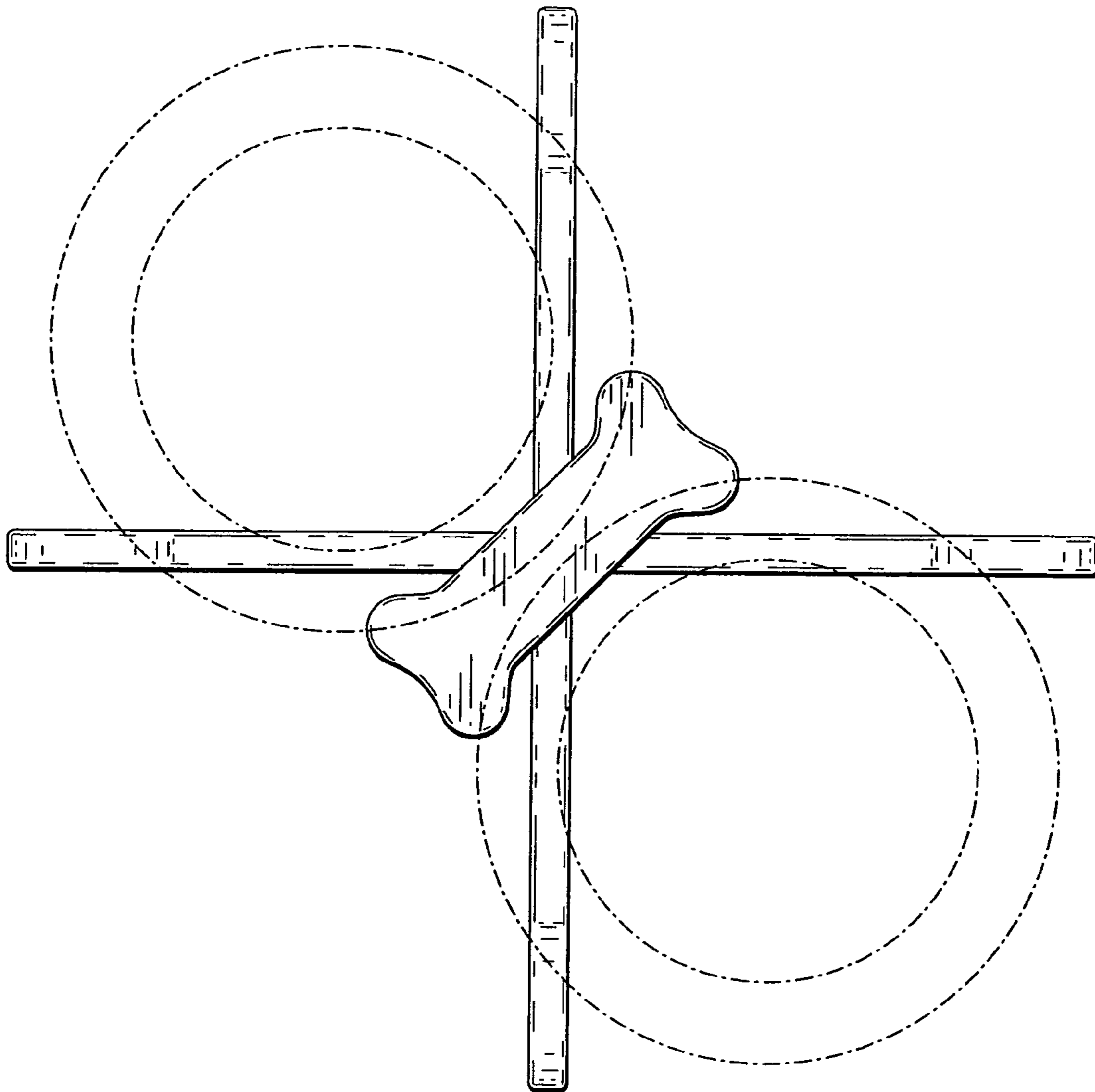


Fig. 6

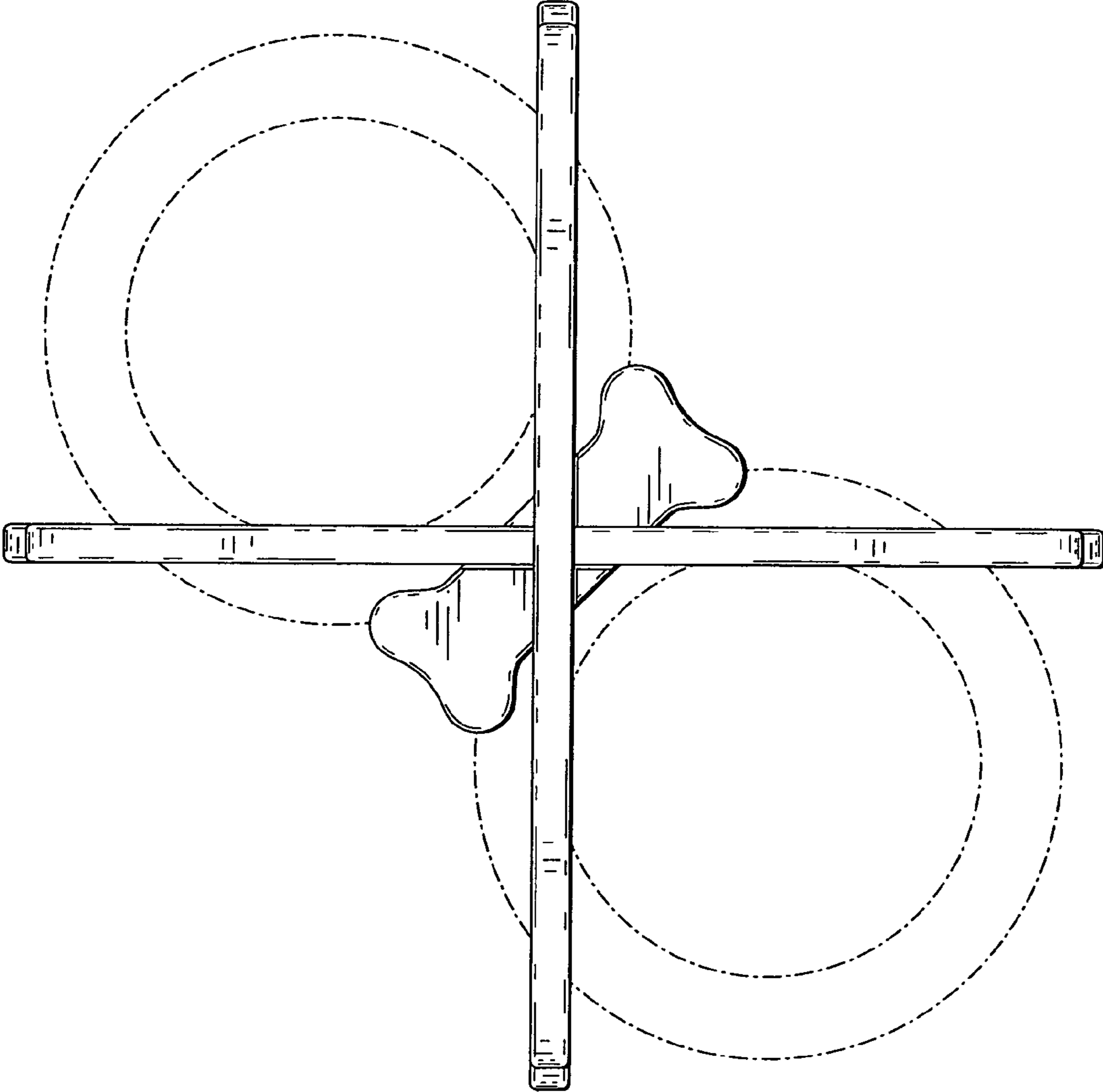


Fig. 7