



US00D552802S

(12) **United States Design Patent**
Kuster

(10) **Patent No.:** **US D552,802 S**

(45) **Date of Patent:** **** Oct. 9, 2007**

(54) **FEEDING AND WATERING DEVICE FOR PETS**

(76) Inventor: **Laura Kuster**, 9405 Eagle Oak Rd., Bakersfield, CA (US) 93389-1172

(**) Term: **14 Years**

(21) Appl. No.: **29/259,230**

(22) Filed: **May 3, 2006**

(51) **LOC (8) Cl.** **30-03**

(52) **U.S. Cl.** **D30/129**

(58) **Field of Classification Search** D30/129-133,
D30/121; 119/61.5, 74, 51.01, 59, 61.52-61.56,
119/51.5, 63, 61, 72; D7/584, 505; D22/122;
43/133; 248/128, 146

See application file for complete search history.

D316,382 S *	4/1991	Lorenzana et al.	D11/164
D316,918 S *	5/1991	Harris	D30/130
5,016,572 A *	5/1991	Weber et al.	119/52.1
5,125,363 A	6/1992	McGaha		
5,165,365 A *	11/1992	Thompson	119/61.53
5,277,149 A	1/1994	East		
D346,465 S *	4/1994	Russell et al.	D30/130
5,365,879 A *	11/1994	Ying-Kuan	119/54
D374,516 S *	10/1996	Lillelund et al.	D30/132
5,560,315 A	10/1996	Lampe		
5,560,316 A	10/1996	Lillelund et al.		
5,564,362 A	10/1996	Fiveash		
D377,243 S	1/1997	Fiveash		
5,632,228 A	5/1997	Ybarra		
5,730,082 A *	3/1998	Newman	119/51.5
5,794,564 A	8/1998	Paro		
5,799,609 A *	9/1998	Burns et al.	119/74
5,829,386 A *	11/1998	Wenstrand	119/77
D402,425 S *	12/1998	Lacz et al.	D30/121

(Continued)

(56) **References Cited**

U.S. PATENT DOCUMENTS

223,321 A *	1/1880	Denton	43/109
1,552,076 A	4/1925	Mosier		
2,543,465 A	2/1951	Morey		
3,112,733 A *	12/1963	Arnott	119/77
3,720,184 A *	3/1973	Pearce	119/51.5
3,730,141 A *	5/1973	Manning et al.	119/51.5
3,763,826 A *	10/1973	Portelli	119/52.1
3,782,332 A *	1/1974	Depenthal et al.	119/51.13
D234,144 S *	1/1975	Fassauer	D30/132
4,034,715 A *	7/1977	Arner	119/51.5
4,128,080 A	12/1978	Haney		
4,134,365 A *	1/1979	Futers et al.	119/51.5
4,303,039 A *	12/1981	Thibault	119/52.1
D273,430 S *	4/1984	Salinas	D30/130
4,513,688 A *	4/1985	Fassauer	119/57.1
4,651,679 A *	3/1987	Fassauer	119/51.5
4,721,063 A *	1/1988	Atchley	119/52.1
D294,531 S *	3/1988	Neunzig	D30/130
4,735,171 A *	4/1988	Essex	119/51.12
D299,771 S *	2/1989	Kennedy	D30/130
4,840,143 A *	6/1989	Simon	119/52.1
D302,755 S *	8/1989	Zaliti	D30/130
4,896,627 A *	1/1990	Riddell	119/51.5
4,953,506 A	9/1990	Sanders		

Primary Examiner—M. H. Tung
Assistant Examiner—Susan Moon Lee
(74) *Attorney, Agent, or Firm*—James M. Duncan, Esq.; Klein, DeNatale, Goldner, ect.

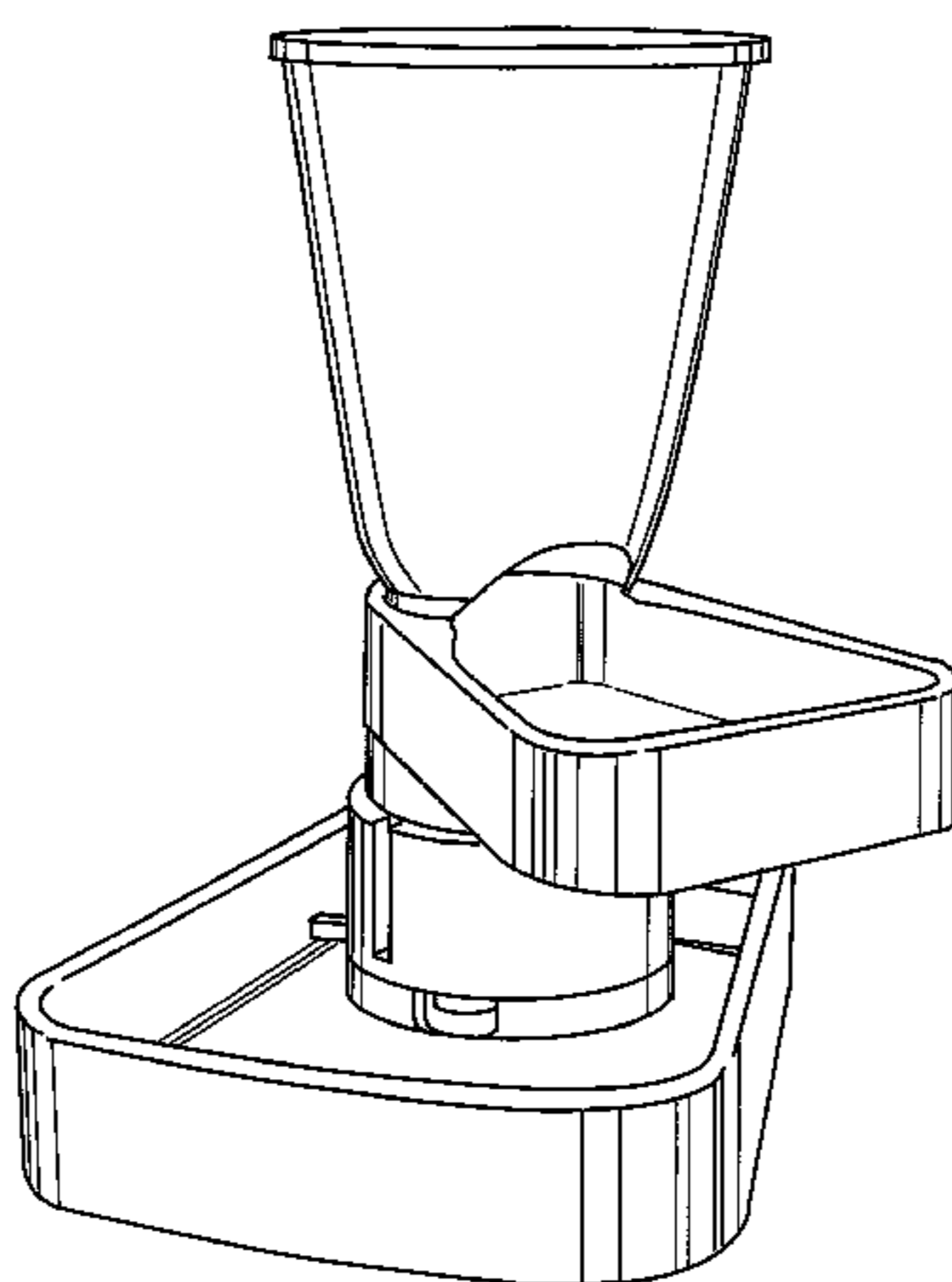
(57) **CLAIM**

The ornamental design for a feeding and watering device for pets, as shown and described.

DESCRIPTION

FIG. 1 is a top view of the feeding and watering device for pets, showing my new design;
FIG. 2 is a front view thereof;
FIG. 3 is, with respect to the front of the device, a left side view thereof;
FIG. 4 is, with respect to FIG. 1, a right side view thereof;
FIG. 5 is a rear view thereof;
FIG. 6 is a bottom view thereof; and,
FIG. 7 is a front isometric view thereof.

1 Claim, 7 Drawing Sheets



US D552,802 S

Page 2

U.S. PATENT DOCUMENTS

5,842,437	A *	12/1998	Burns	119/74	6,622,657	B2 *	9/2003	Northrop et al.	119/74
5,845,600	A *	12/1998	Mendes	119/51.5	6,691,460	B1 *	2/2004	Lee	47/79
D406,926	S *	3/1999	Kolozsvari	D30/132	6,739,284	B1 *	5/2004	Olive	119/74
6,055,932	A *	5/2000	Weber	119/52.1	D497,224	S	10/2004	Remy		
6,079,361	A *	6/2000	Bowell et al.	119/72	6,860,229	B1 *	3/2005	Craft	119/61.5
6,119,628	A *	9/2000	Lorenzana et al.	119/77	6,863,025	B2 *	3/2005	Ness	119/72
6,142,099	A *	11/2000	Lange, Jr.	119/51.5	6,880,484	B1 *	4/2005	Lee	119/74
6,378,460	B1 *	4/2002	Skurdalsvold et al.	...	119/61.56	6,928,954	B2 *	8/2005	Krishnamurthy	119/51.5
6,467,428	B1 *	10/2002	Andrisin et al.	119/51.5	2002/0088404	A1 *	7/2002	Romeu	119/56.1
6,477,981	B1 *	11/2002	Harper	119/52.4						

* cited by examiner

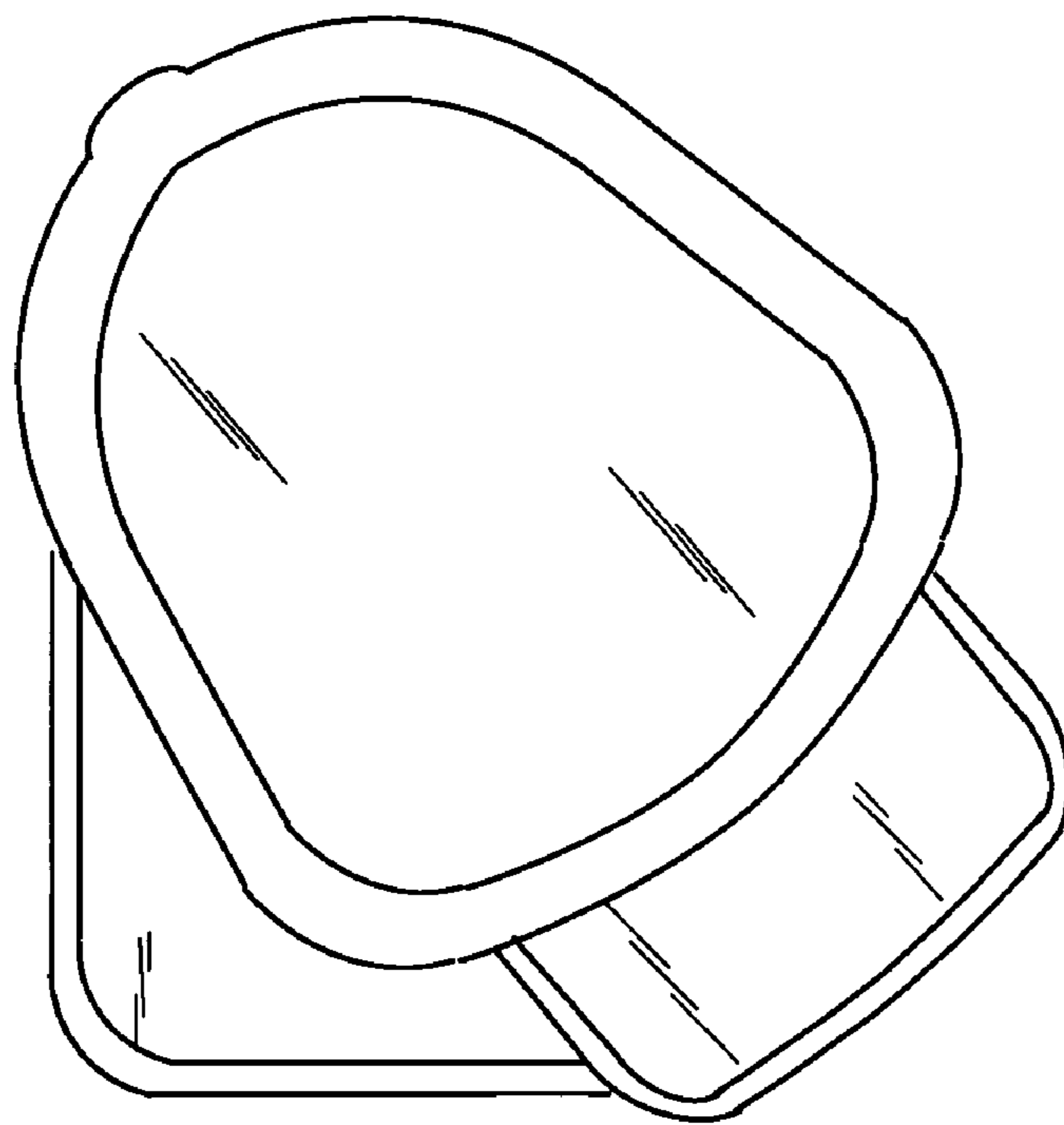


Fig. 1

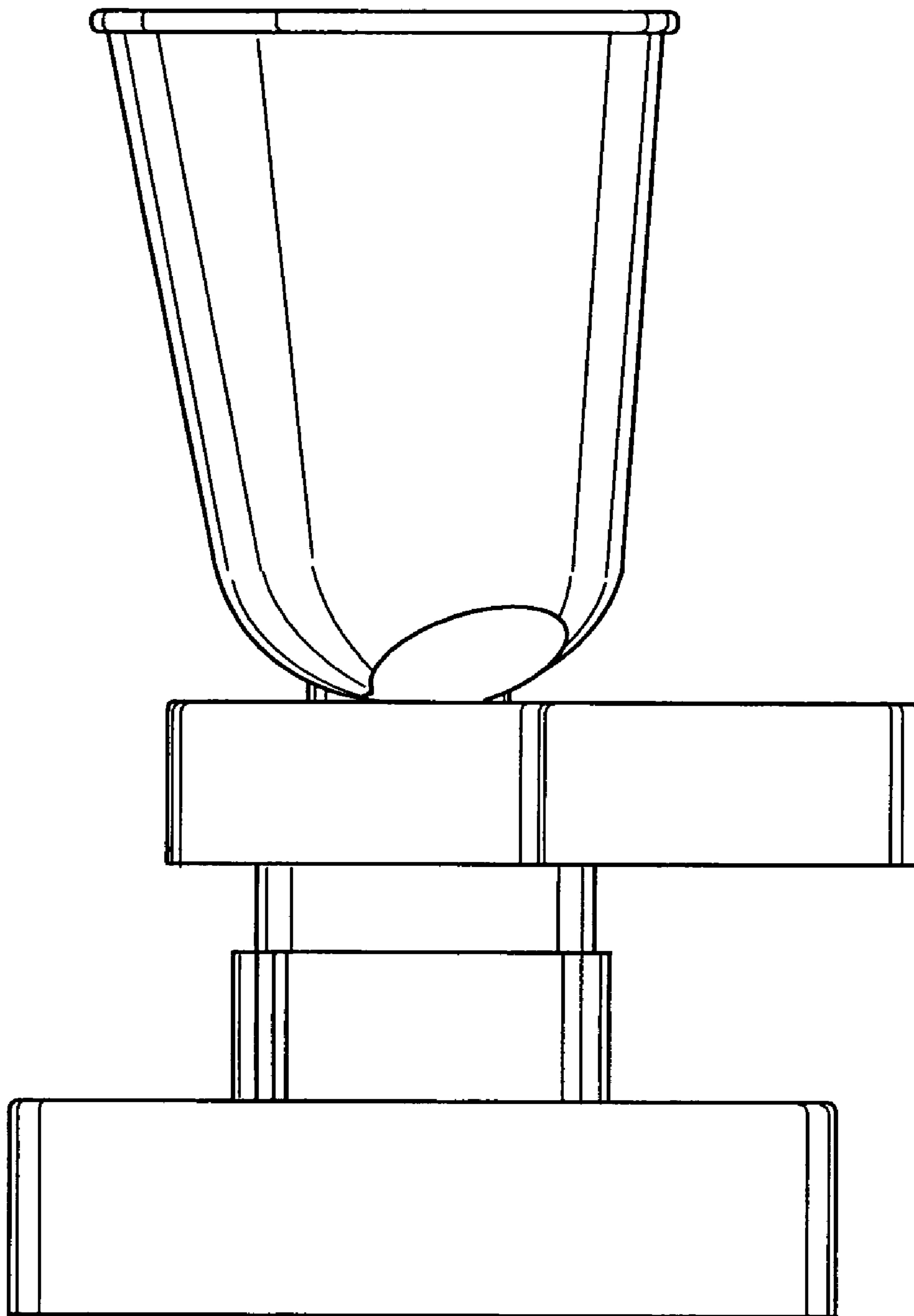


Fig. 2

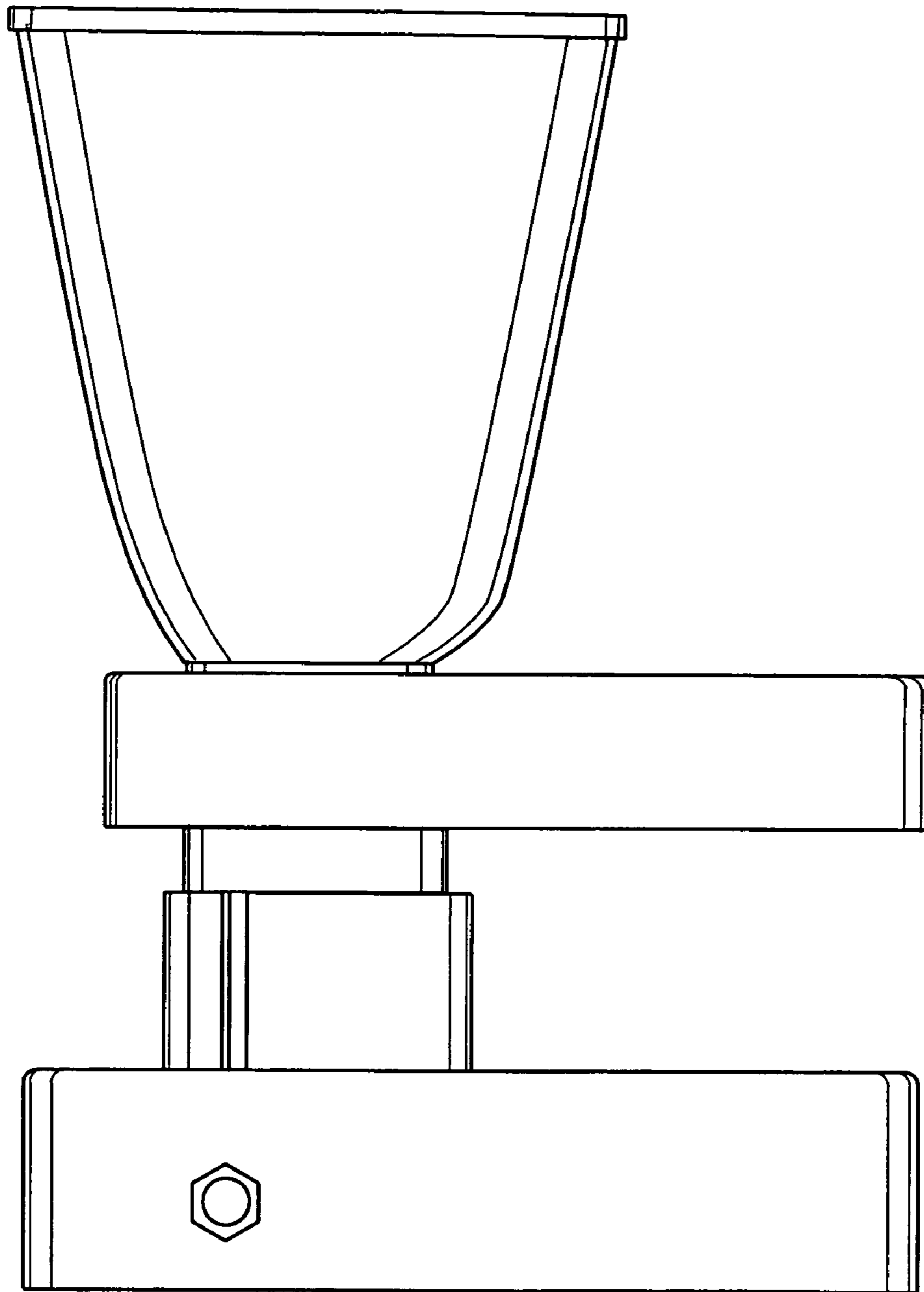


Fig. 3

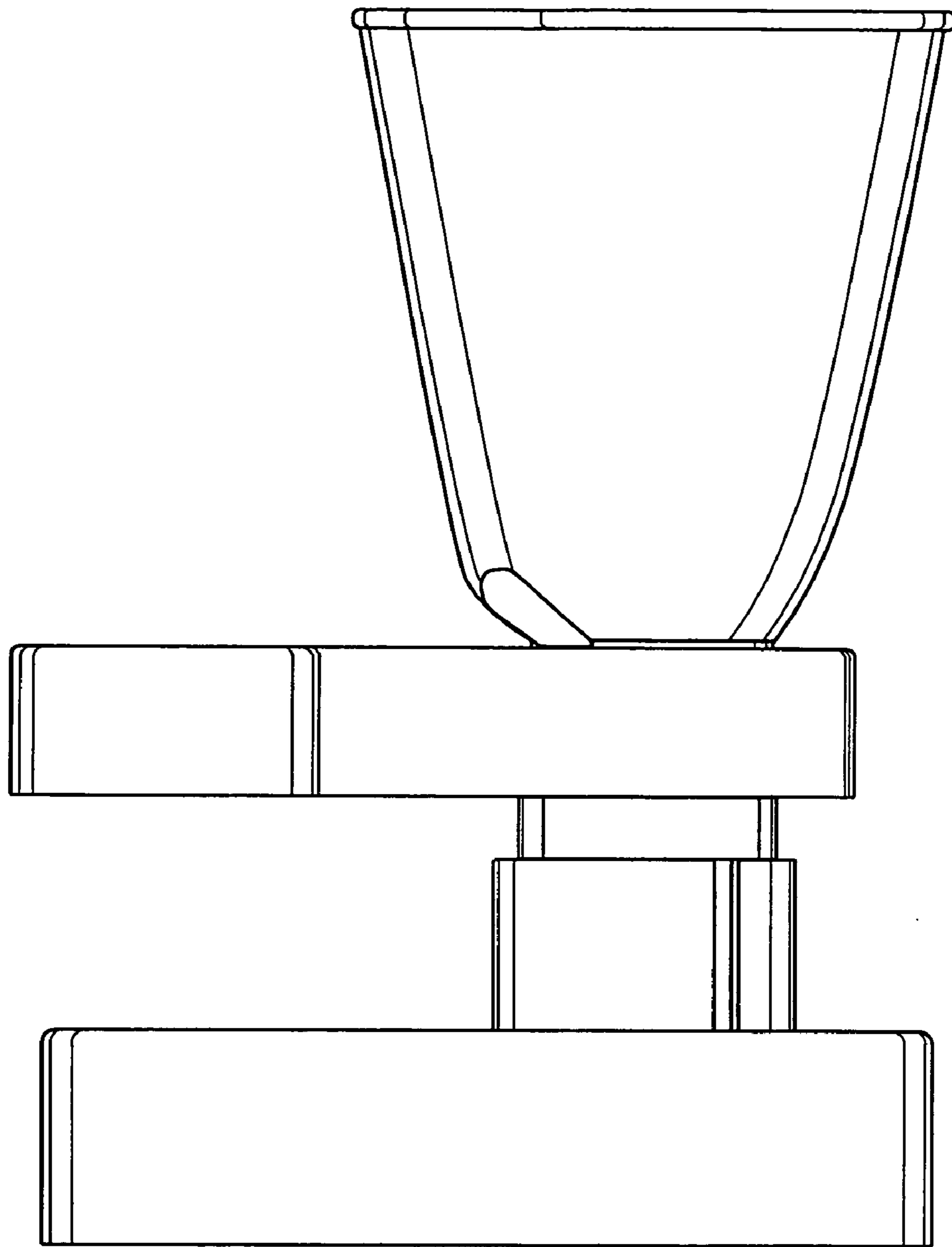


Fig. 4

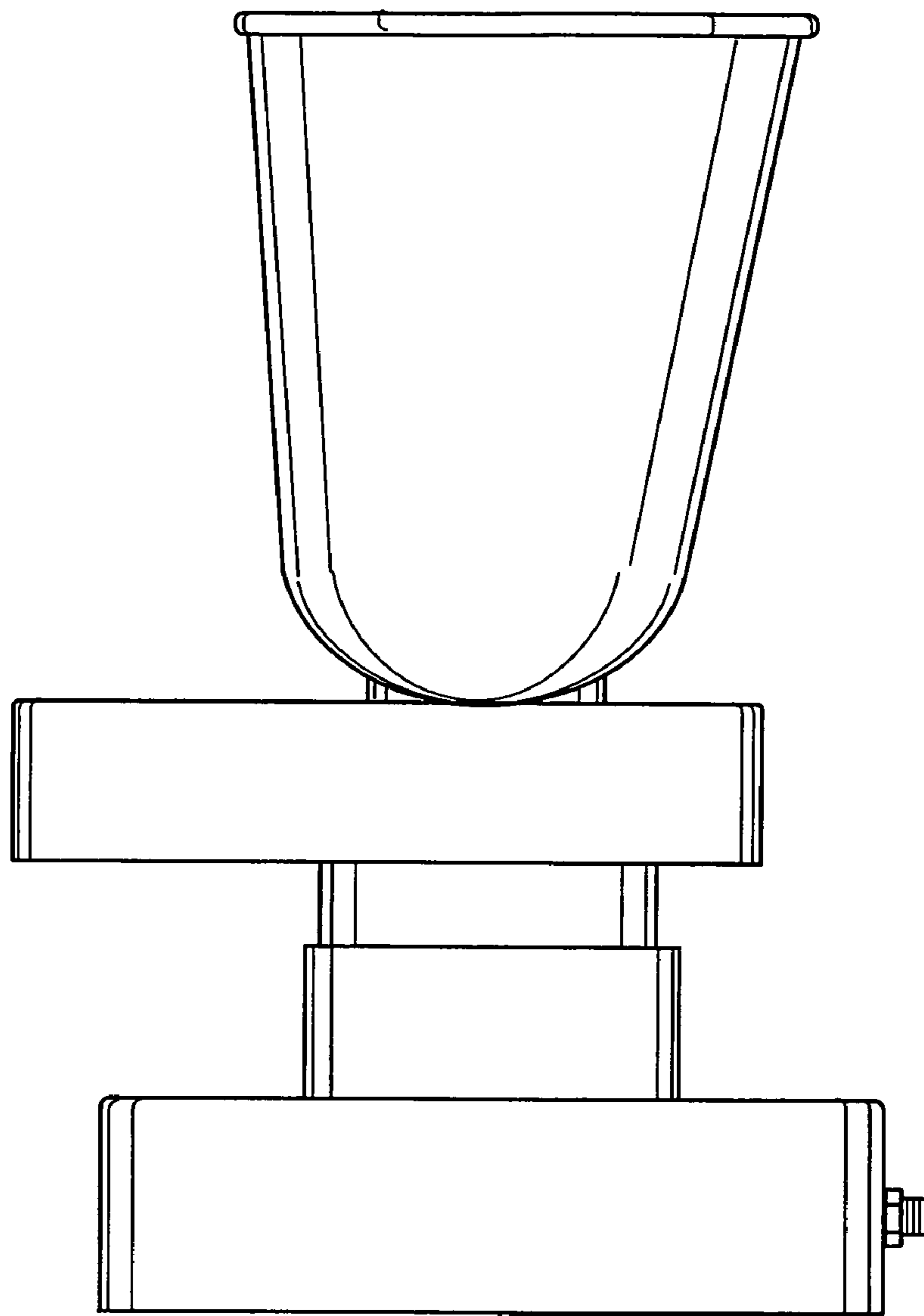


Fig. 5

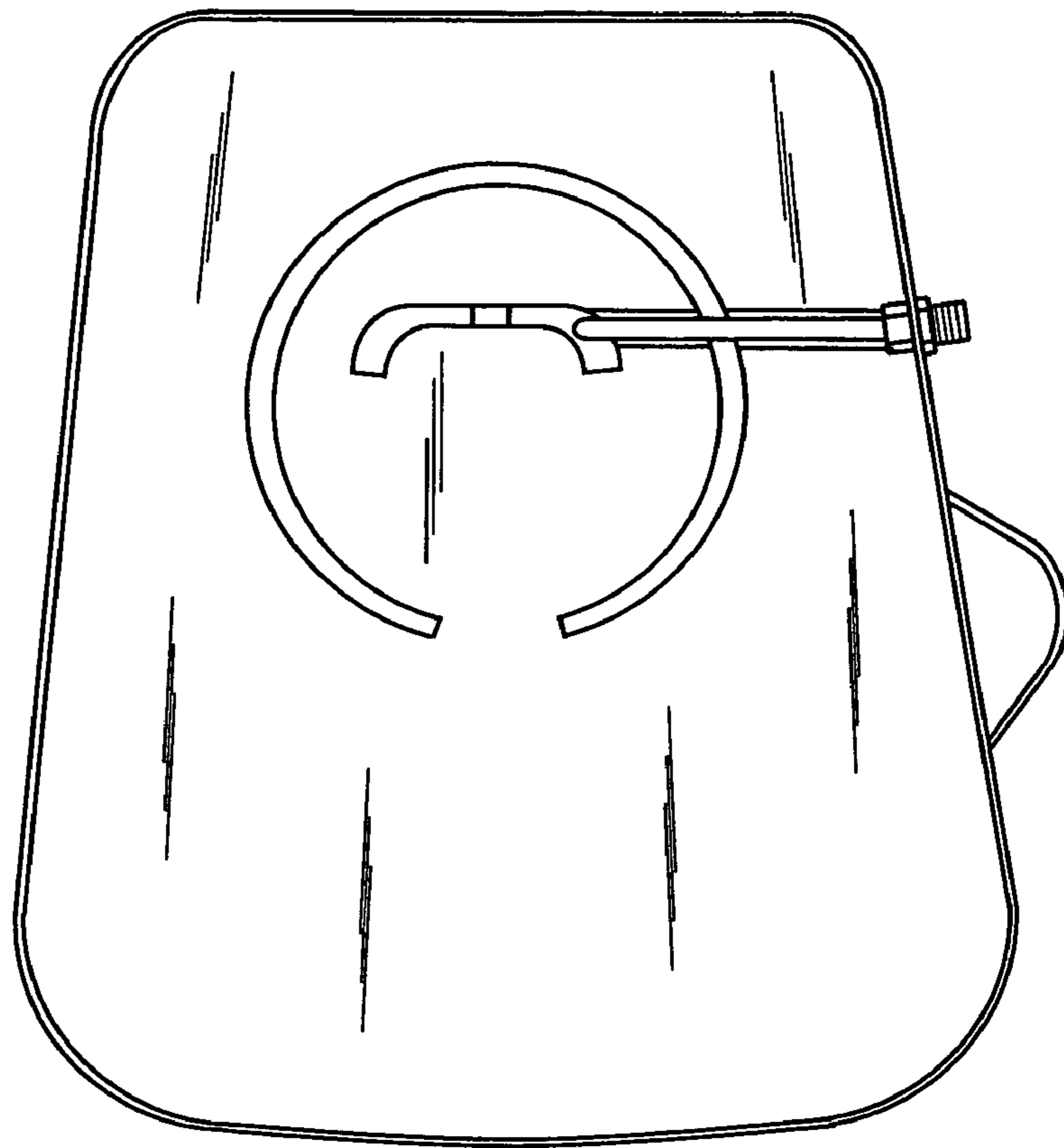


Fig. 6

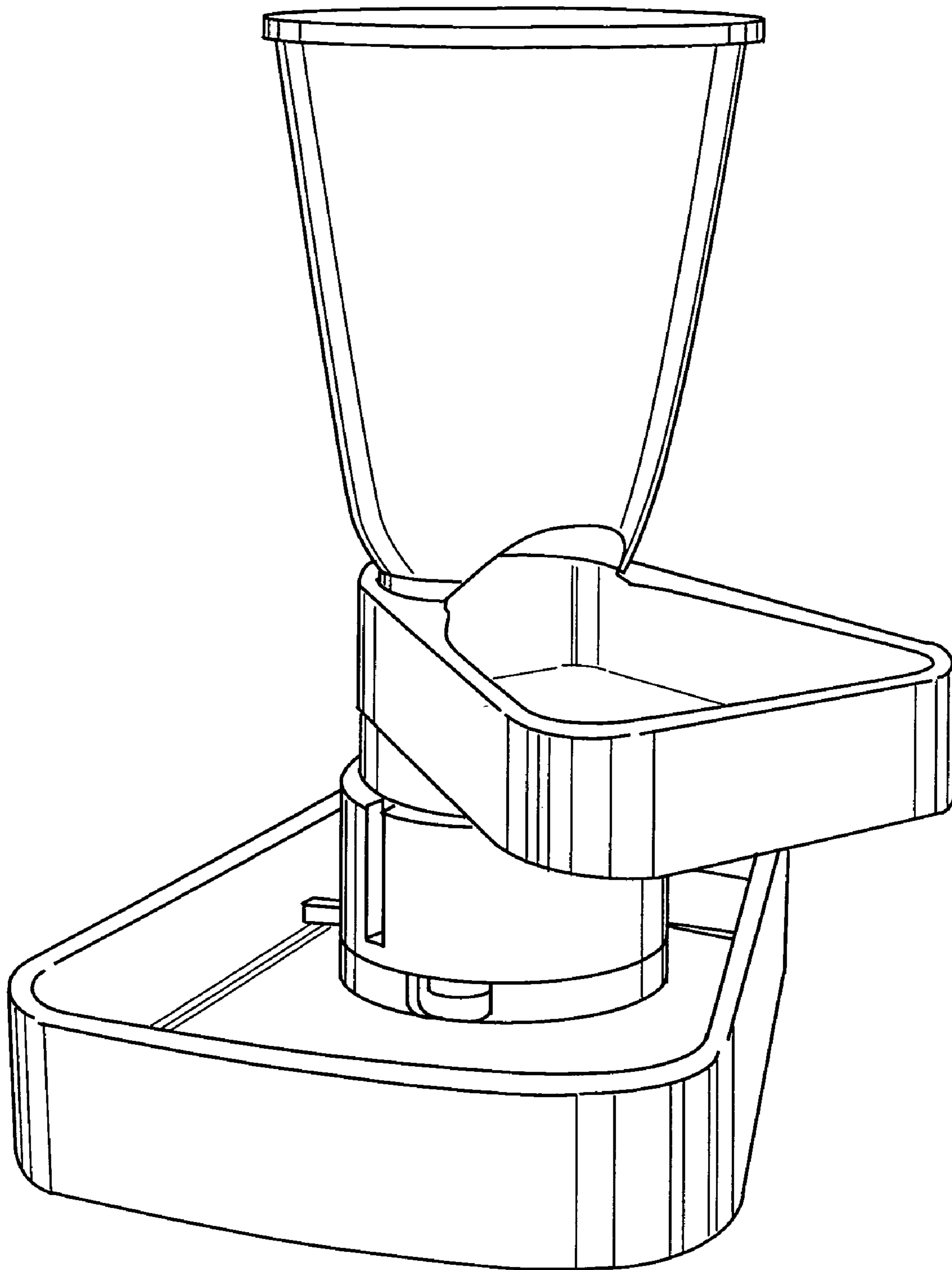


Fig. 7