



US00D552797S

(12) **United States Design Patent** (10) **Patent No.:** **US D552,797 S**
Kueth et al. (45) **Date of Patent:** **** Oct. 9, 2007**

(54) **COMPACT**
(75) Inventors: **Katia Kueth**, Brooklyn, NY (US);
Phillipp Muessigmann, Brooklyn, NY (US)
(73) Assignee: **001 Corporation**, Austin, TX (US)
(**) Term: **14 Years**
(21) Appl. No.: **29/243,738**
(22) Filed: **Nov. 30, 2005**

AU	126131	3/1996
EM	241575-0001	12/2003
EM	073945-0003	11/2005
JP	1157350	11/2005
JP	1265520	3/2006
JP	1280415	9/2006
JP	1285284	11/2006
KR	3019970015913	10/1998
KR	3019990026081	5/2000
TW	201606	3/1993
TW	562637	11/2003
TW	562644	11/2003

(51) **LOC (8) Cl.** **28-03**
(52) **U.S. Cl.** **D28/83**
(58) **Field of Classification Search** D28/76-84,
D28/64.1, 64.3; 132/286-288, 293-307,
132/312-318; 206/581, 823
See application file for complete search history.

OTHER PUBLICATIONS
Page 1177, vol. C96, of "Taiwan Yellow Pages" issued on Apr. 1999.

* cited by examiner
Primary Examiner—Jennifer Rivard
(74) *Attorney, Agent, or Firm*—Cynthia R. Miller

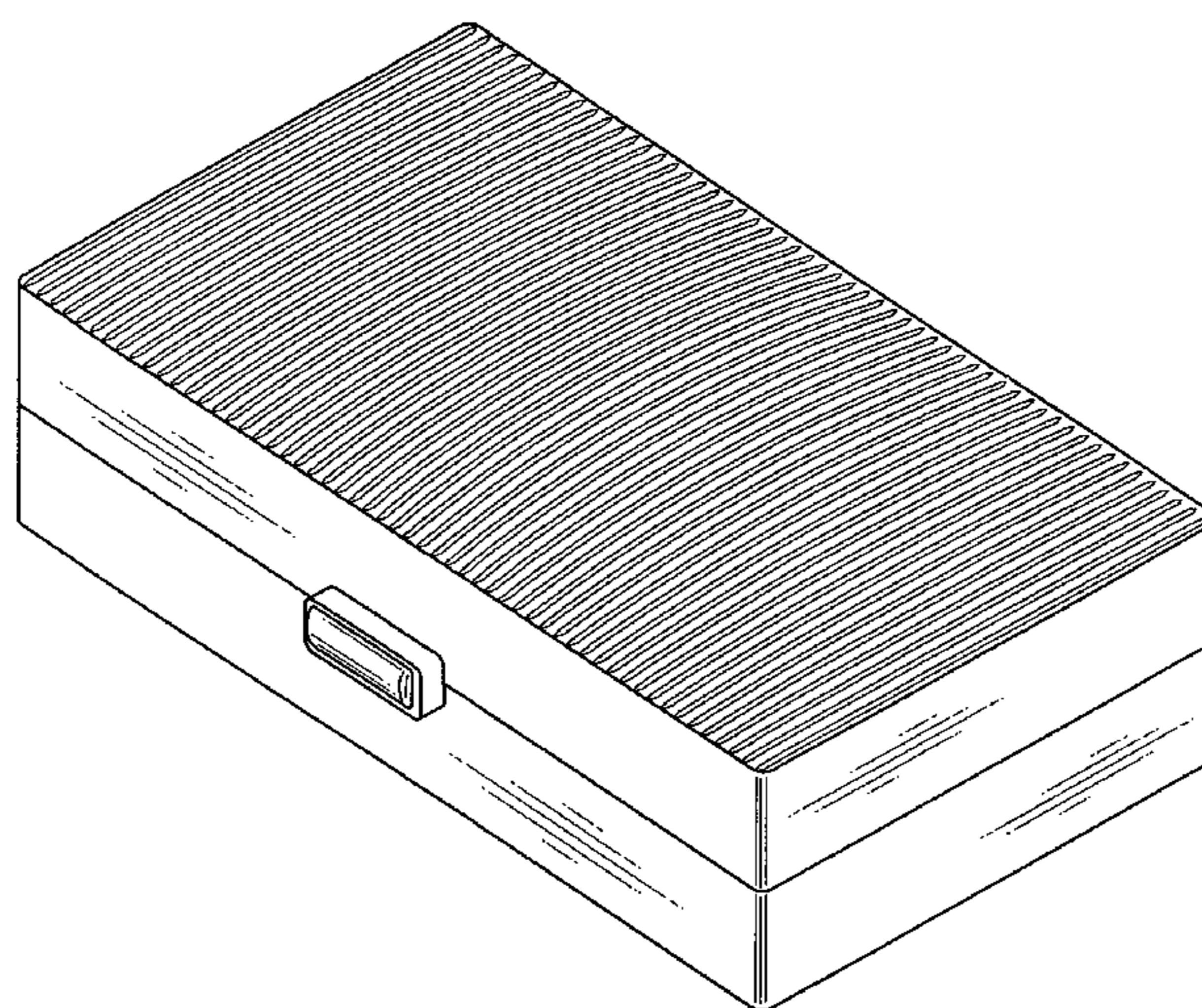
(56) **References Cited**
U.S. PATENT DOCUMENTS
D51,367 S 10/1917 Eichorn
1,601,892 A 10/1926 Thralls
1,622,463 A 3/1927 Marcus
D105,717 S 8/1937 Steiner
D106,490 S 10/1937 Lux
D146,938 S 6/1947 Crane
D153,372 S 4/1949 McIntosh
D156,468 S 12/1949 Ulvad
2,761,458 A 9/1956 Werber
3,342,190 A * 9/1967 Hultgren et al. 132/301
D272,007 S 12/1983 Cheung
D340,541 S * 10/1993 Chen D28/83
D368,328 S 3/1996 Wacker
5,787,906 A 8/1998 D'Andrea
D429,070 S * 8/2000 Marshall D28/83
6,237,612 B1 5/2001 Heyer
D480,181 S * 9/2003 Sheng D28/83
2003/0034044 A1 * 2/2003 Gubernick 132/294

(57) **CLAIM**
What is claimed is the ornamental design for a compact, substantially as shown and described.

DESCRIPTION
FIG. 1 is a top, front and right side perspective view of a new design for a compact shown in a closed position;
FIG. 2 is a top plan view of the compact shown in FIG. 1, the bottom plan view being a mirror image thereof;
FIG. 3 is a front elevation view of the compact shown in FIG. 1;
FIG. 4 is a right side elevation view of the compact shown in FIG. 1, a left side elevation view being a mirror image thereof;
FIG. 5 is a rear elevation view of the compact shown in FIG. 1; and,
FIG. 6 is a top, front and right side perspective view of the compact shown in FIG. 1, in an open position.

FOREIGN PATENT DOCUMENTS
AU 113589 3/1992

1 Claim, 3 Drawing Sheets



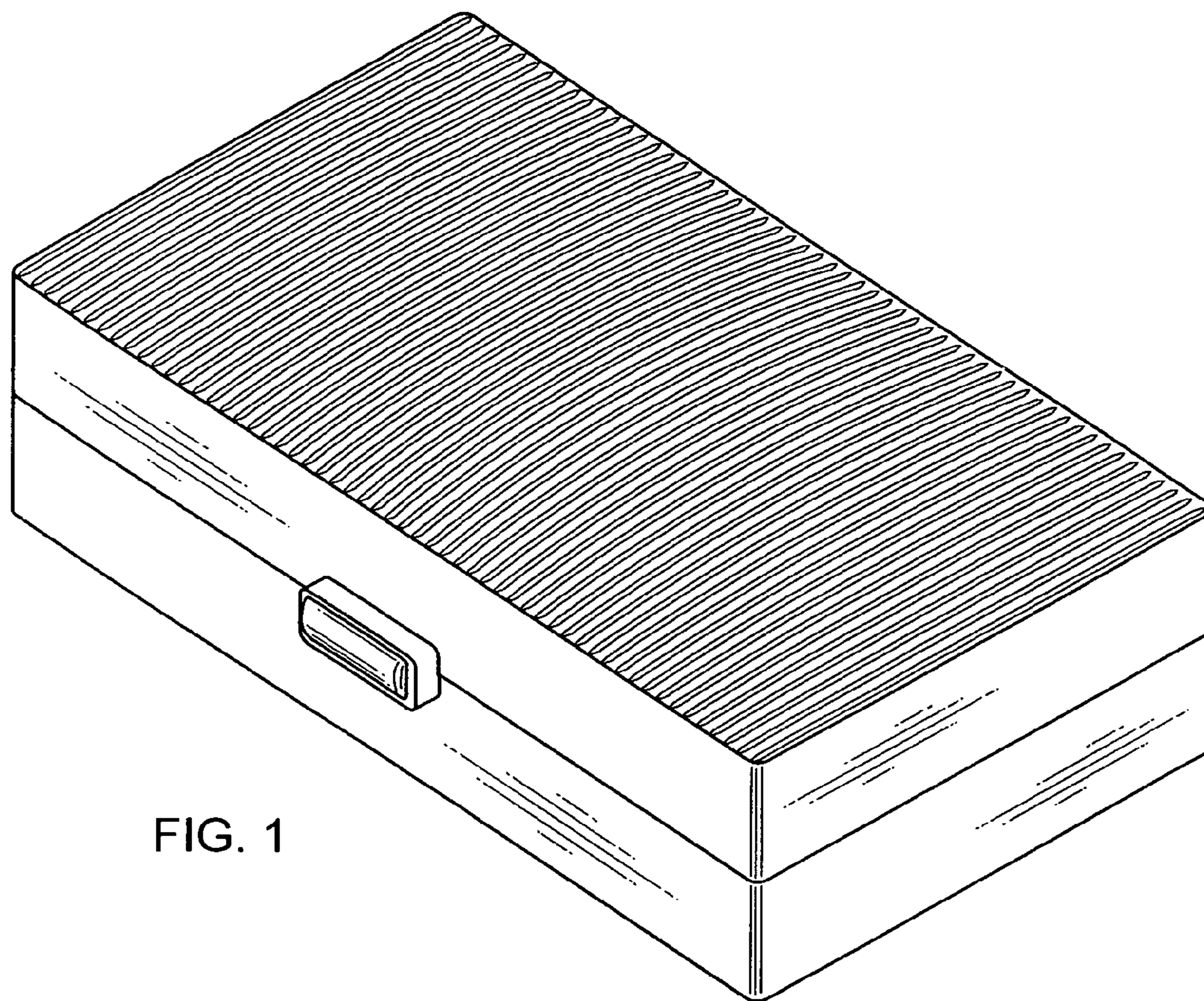


FIG. 1

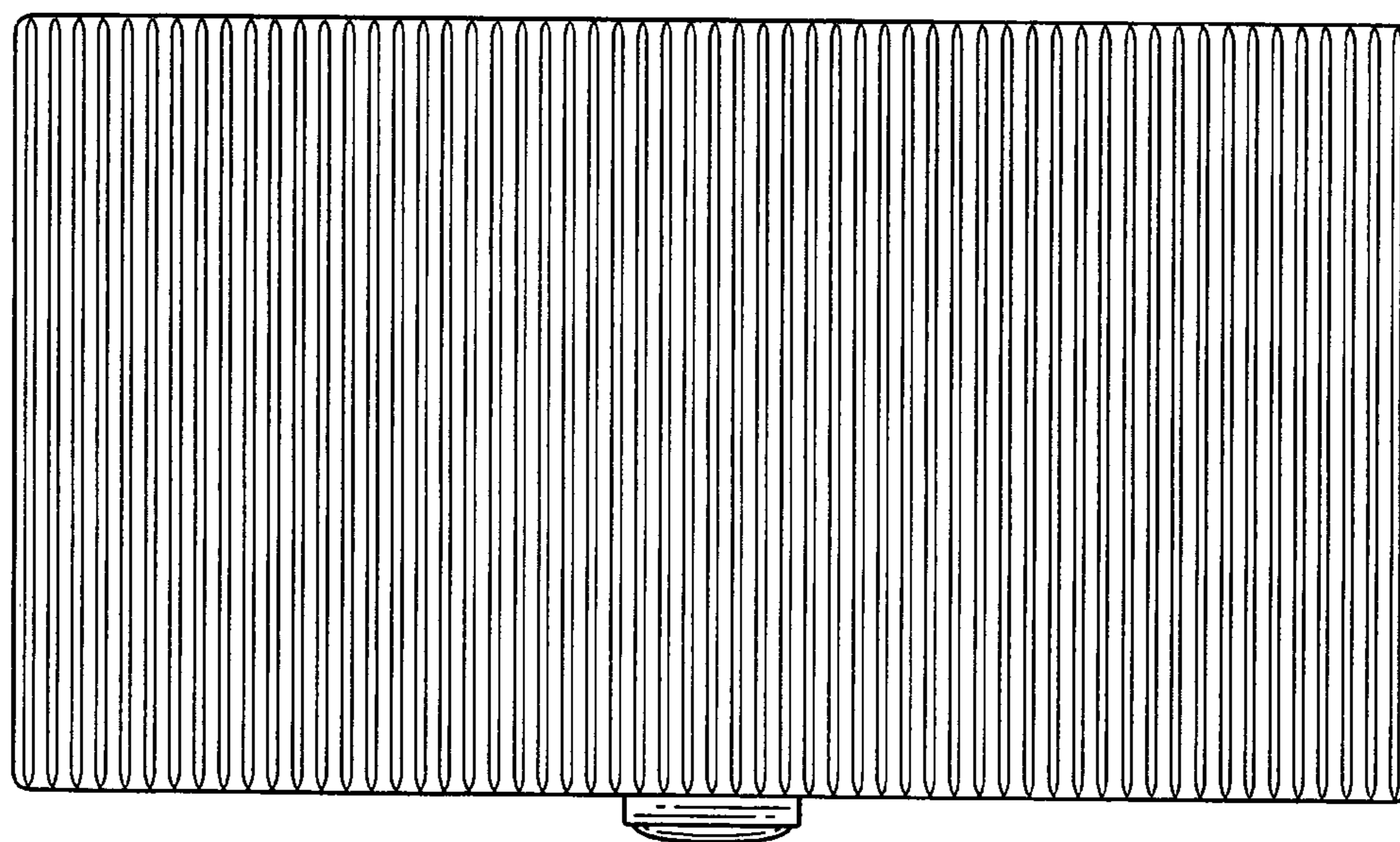


FIG. 2

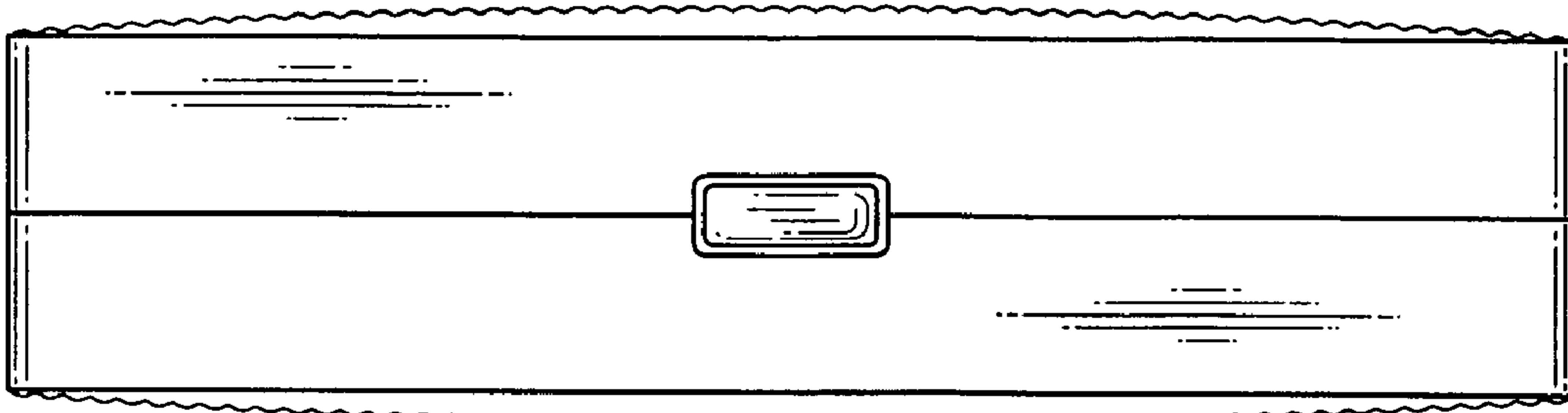


FIG. 3

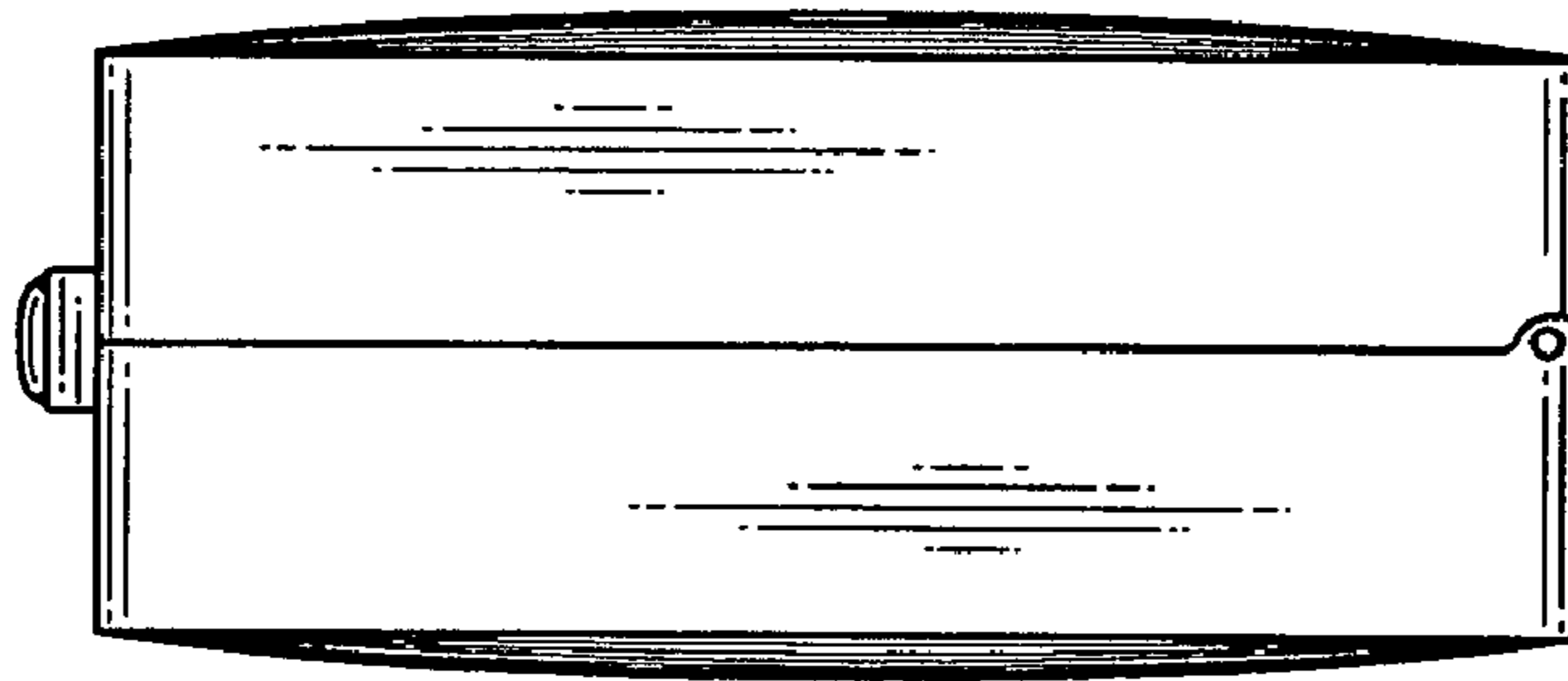


FIG. 4

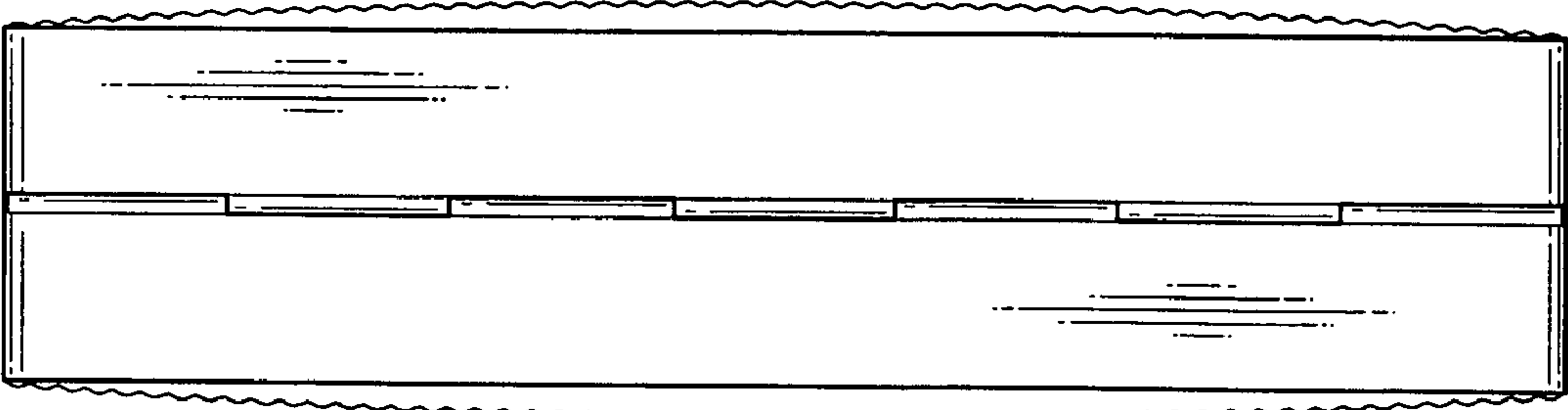


FIG. 5

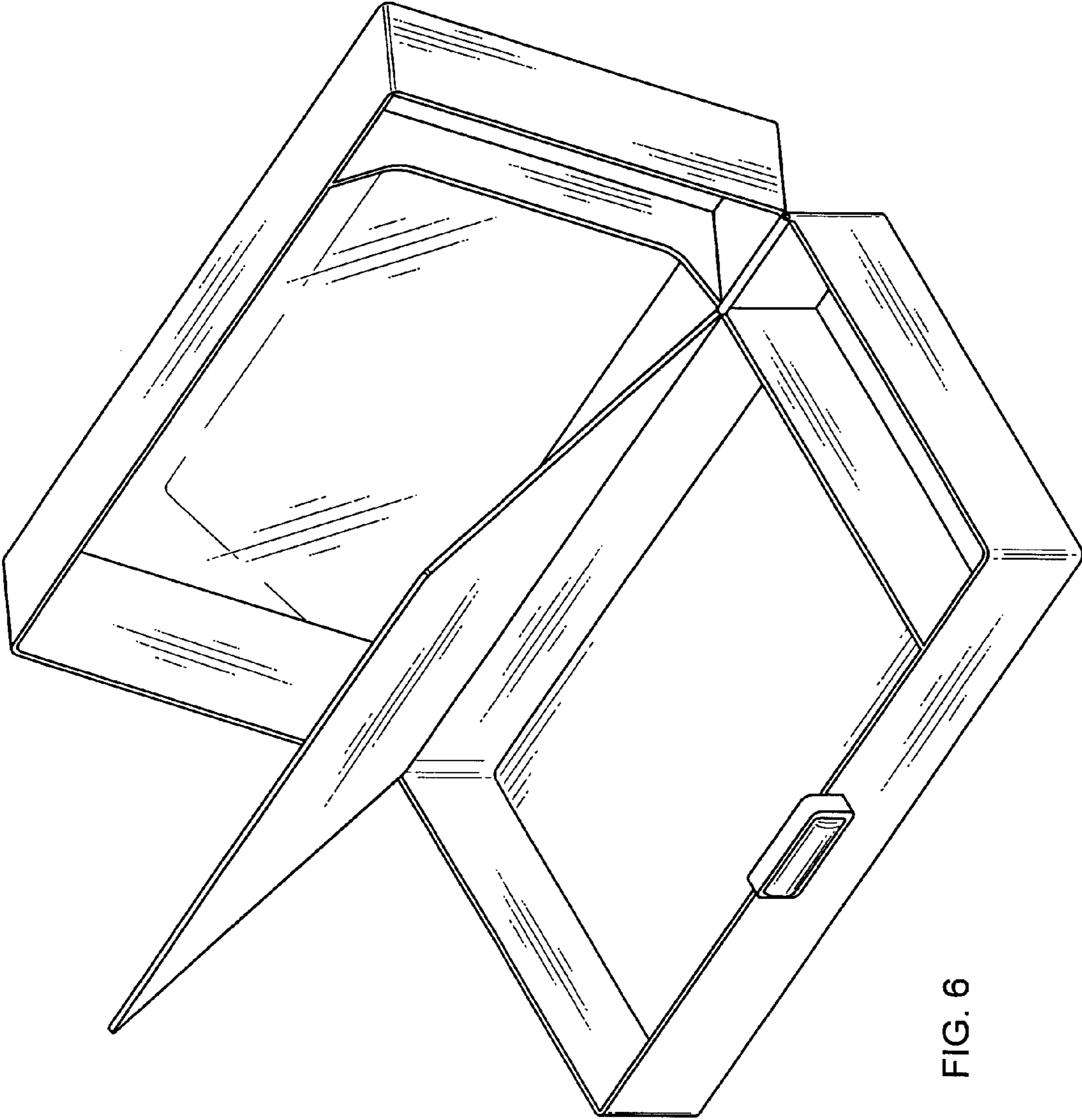


FIG. 6