



US00D552796S

(12) **United States Design Patent**  
**Petrucelli**

(10) **Patent No.:** **US D552,796 S**

(45) **Date of Patent:** **\*\* Oct. 9, 2007**

(54) **HOLDER FOR ROUND HAIRSTYLING ACCESSORIES**

2004/0099624 A1\* 5/2004 Hein ..... 211/89.01

\* cited by examiner

(75) Inventor: **Giulio Petrucelli**, Flushing, NY (US)

*Primary Examiner*—Jennifer Rivard

(73) Assignee: **P.S. Pibbs, Inc.**, Flushing, NY (US)

(74) *Attorney, Agent, or Firm*—Anthony J. Casella; Gerald E. Hespos

(\*\*) Term: **14 Years**

(57) **CLAIM**

(21) Appl. No.: **29/270,248**

The ornamental design for a holder for round hairstyling accessories, as shown and described.

(22) Filed: **Dec. 19, 2006**

(51) **LOC (8) Cl.** ..... **28-03**

**DESCRIPTION**

(52) **U.S. Cl.** ..... **D28/73; D28/18; D28/38; D6/527; D6/567**

FIG. 1 is a perspective view of a holder for round hairstyling accessories showing my new design;

(58) **Field of Classification Search** ..... 211/70.6, 211/89.01, 86.01, 75, 85.18, 70.3; 248/117.2–117.4; 206/823, 581, 372, 376; 219/222, 242; D6/527, D6/567; D28/73, 38, 18

FIG. 2 is a top plan view of the holder for round hairstyling accessories of FIG. 1;

See application file for complete search history.

FIG. 3 is a front elevational view of the holder for round hairstyling accessories of FIG. 1;

(56) **References Cited**

FIG. 4 is a right side elevational view of the holder for round hairstyling accessories of FIG. 1;

**U.S. PATENT DOCUMENTS**

FIG. 5 is a left side elevational view of the holder for round hairstyling accessories of FIG. 1;

3,603,551 A \* 9/1971 Peterson ..... 211/70.6

FIG. 6 is a rear elevational view of the holder for round hairstyling accessories of FIG. 1; and,

4,334,621 A \* 6/1982 Weber ..... 211/70.3

FIG. 7 is a bottom plan view thereof.

4,653,637 A \* 3/1987 Wallace ..... 211/70.6

The broken line showing the wall support for the holder for round hairstyling accessories of my new design in FIG. 1 is for illustrative purposes only and forms no part of the claimed design.

D313,341 S \* 1/1991 Gaboriault et al. .... D28/73

5,054,615 A \* 10/1991 Stillwagon et al. .... 211/70.6

D347,538 S \* 6/1994 Fleischer ..... D28/73

D374,312 S \* 10/1996 Edgar ..... D28/73

6,209,732 B1 \* 4/2001 Dennis et al. .... 211/70.6

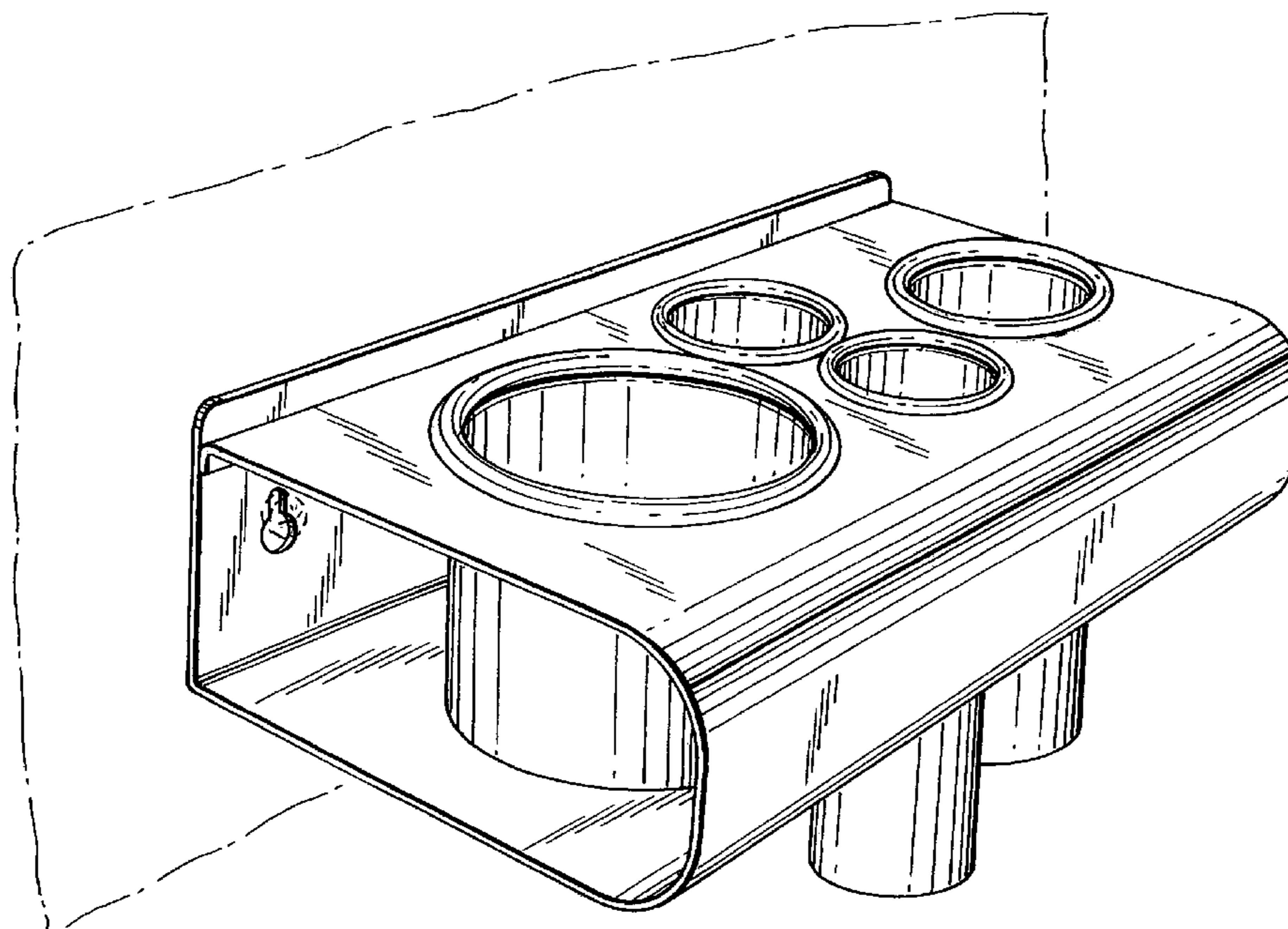
6,318,691 B1 \* 11/2001 Toth et al. .... 248/314

D487,170 S \* 2/2004 Petrucelli ..... D28/73

D525,657 S \* 7/2006 Warren, III ..... D28/73

2003/0222069 A1 \* 12/2003 Sena et al. .... 219/222

**1 Claim, 7 Drawing Sheets**



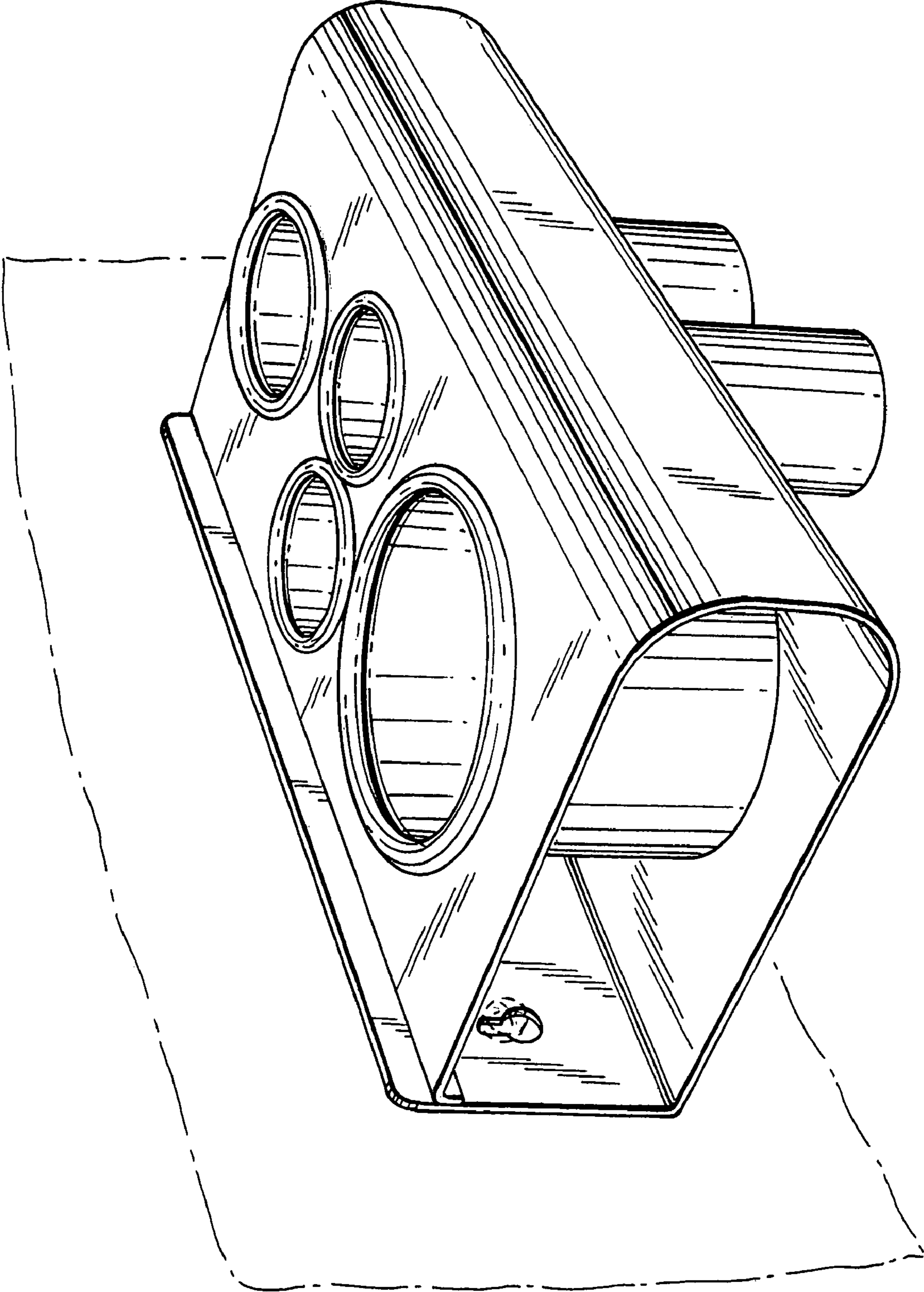


FIG.1

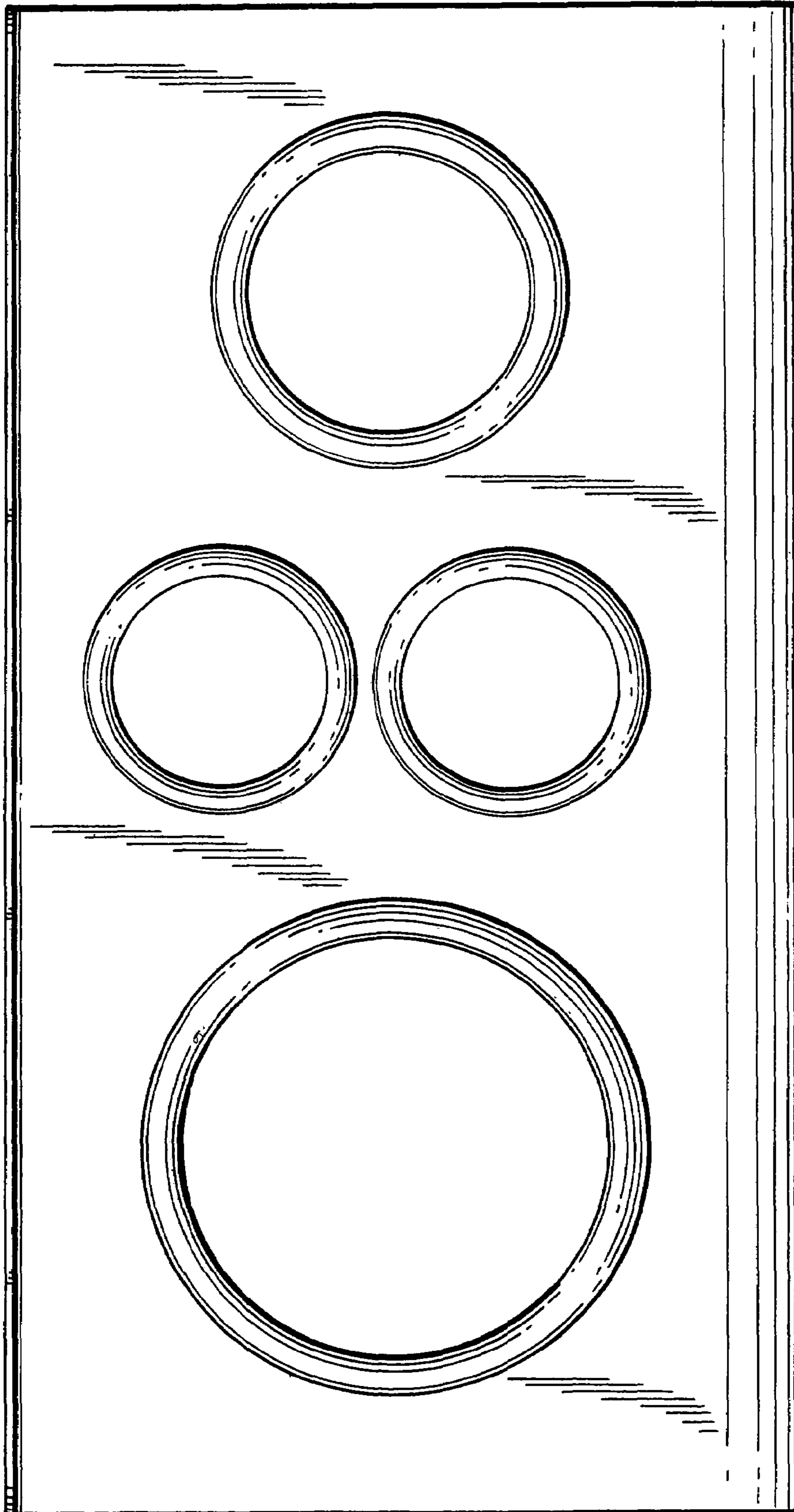


FIG.2

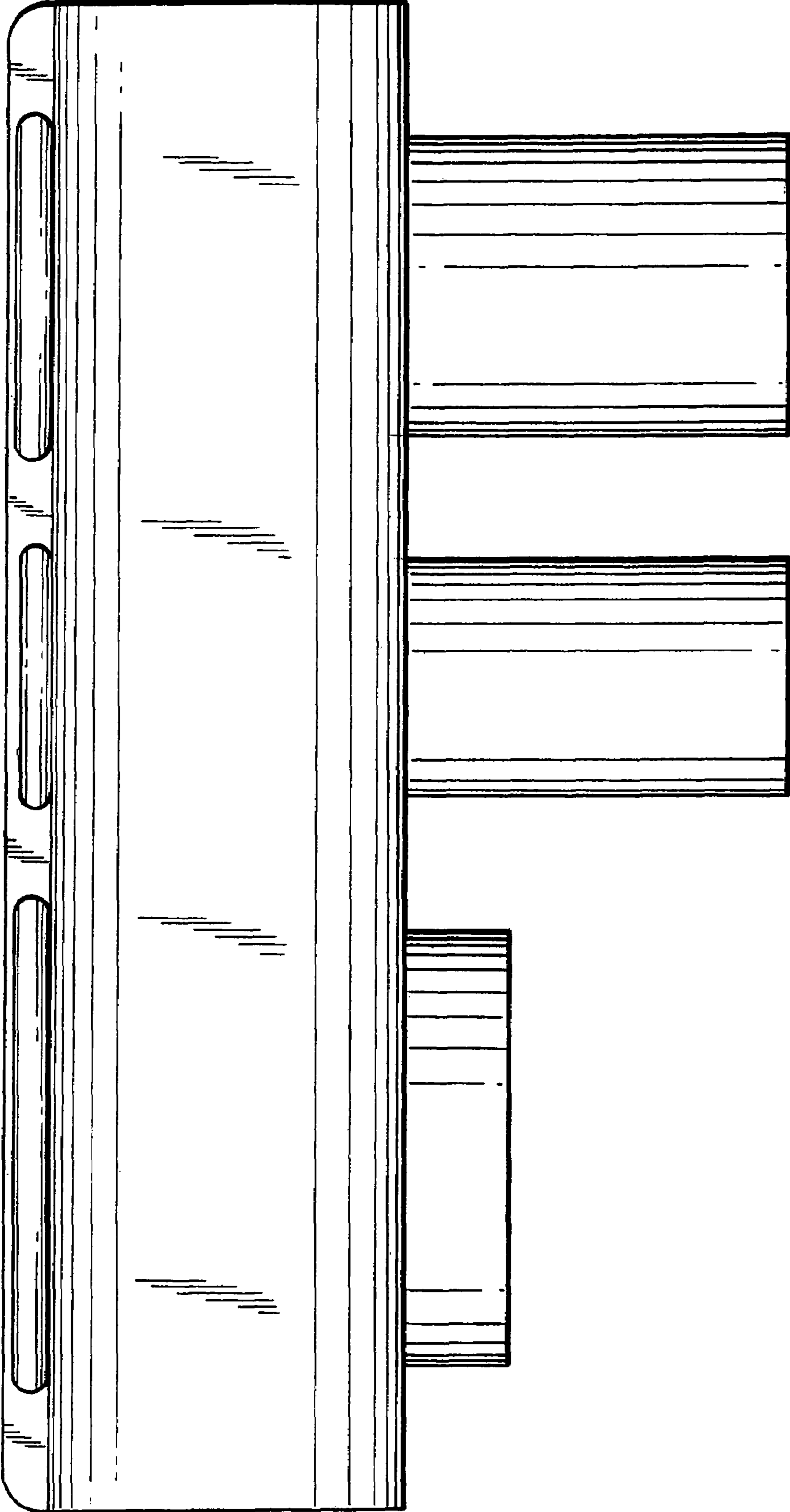


FIG.3

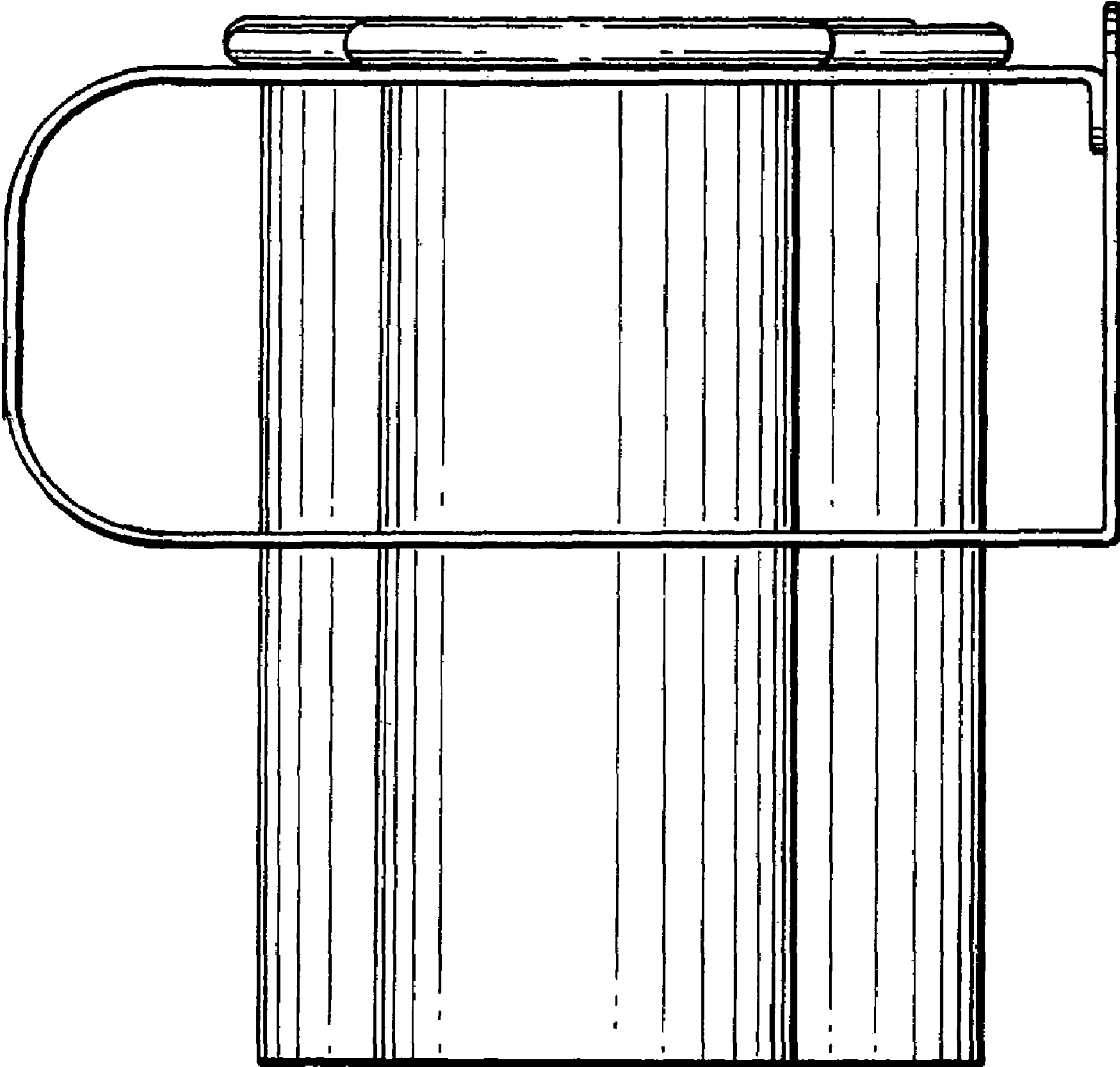


FIG.4

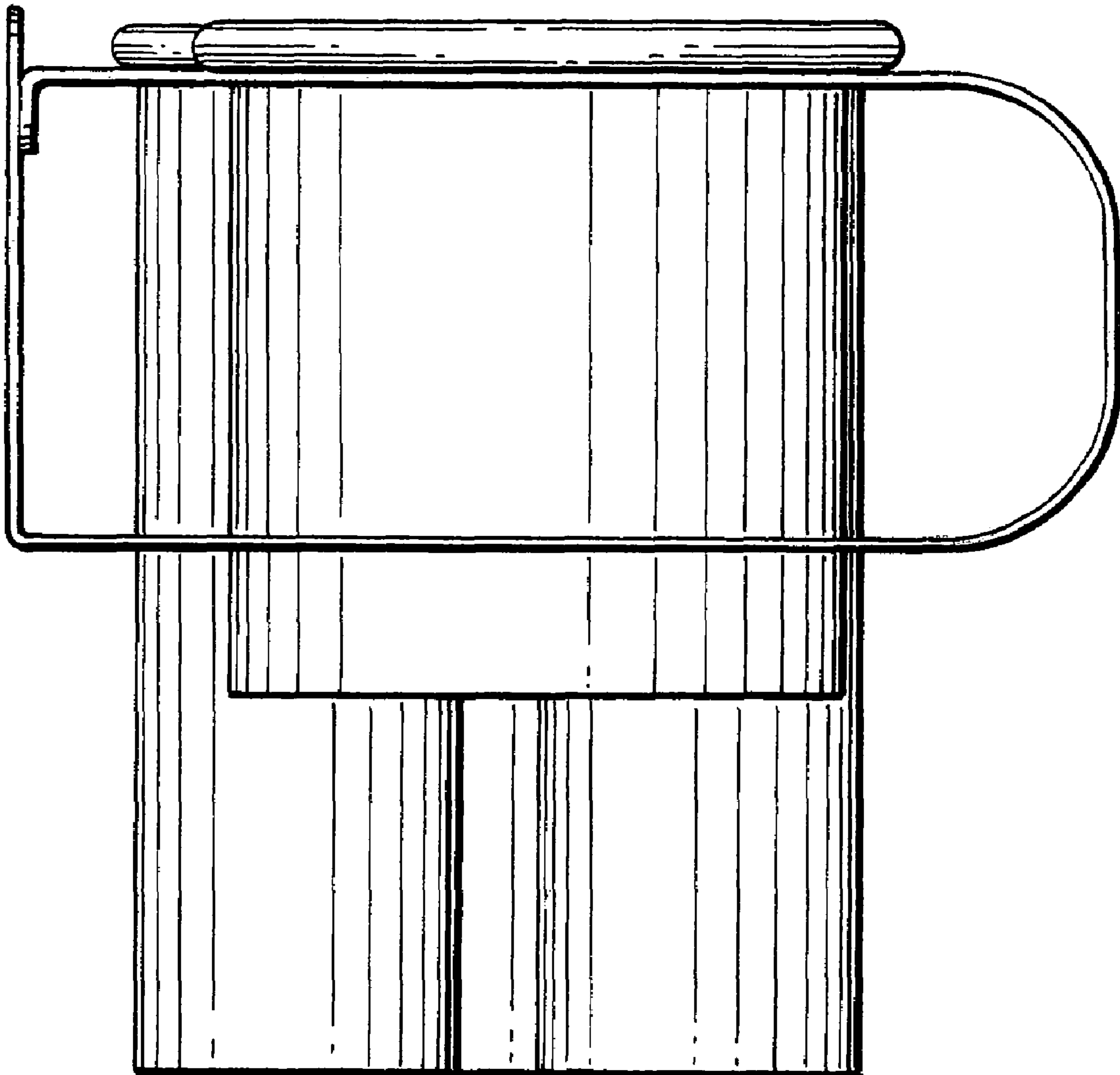


FIG.5

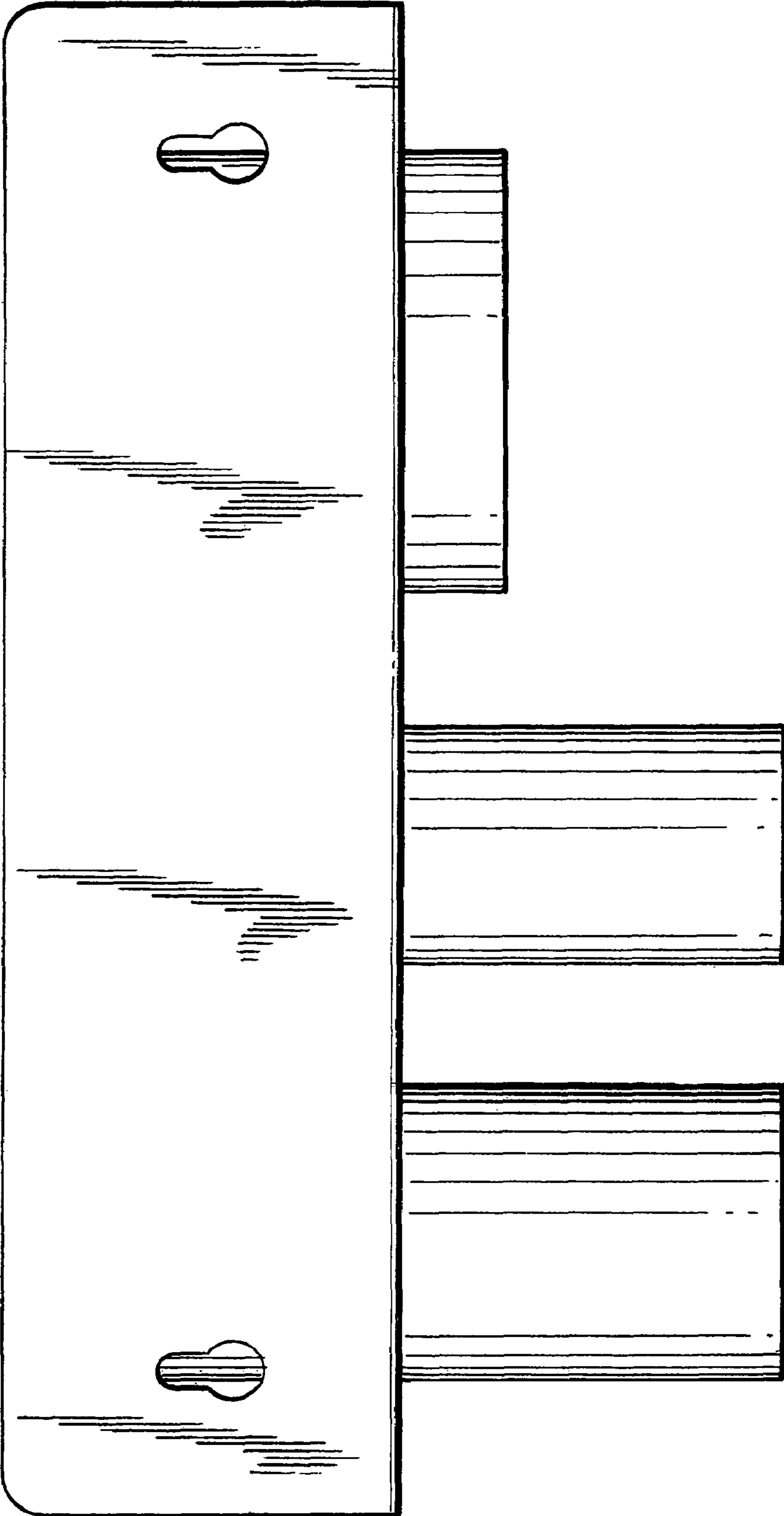


FIG.6

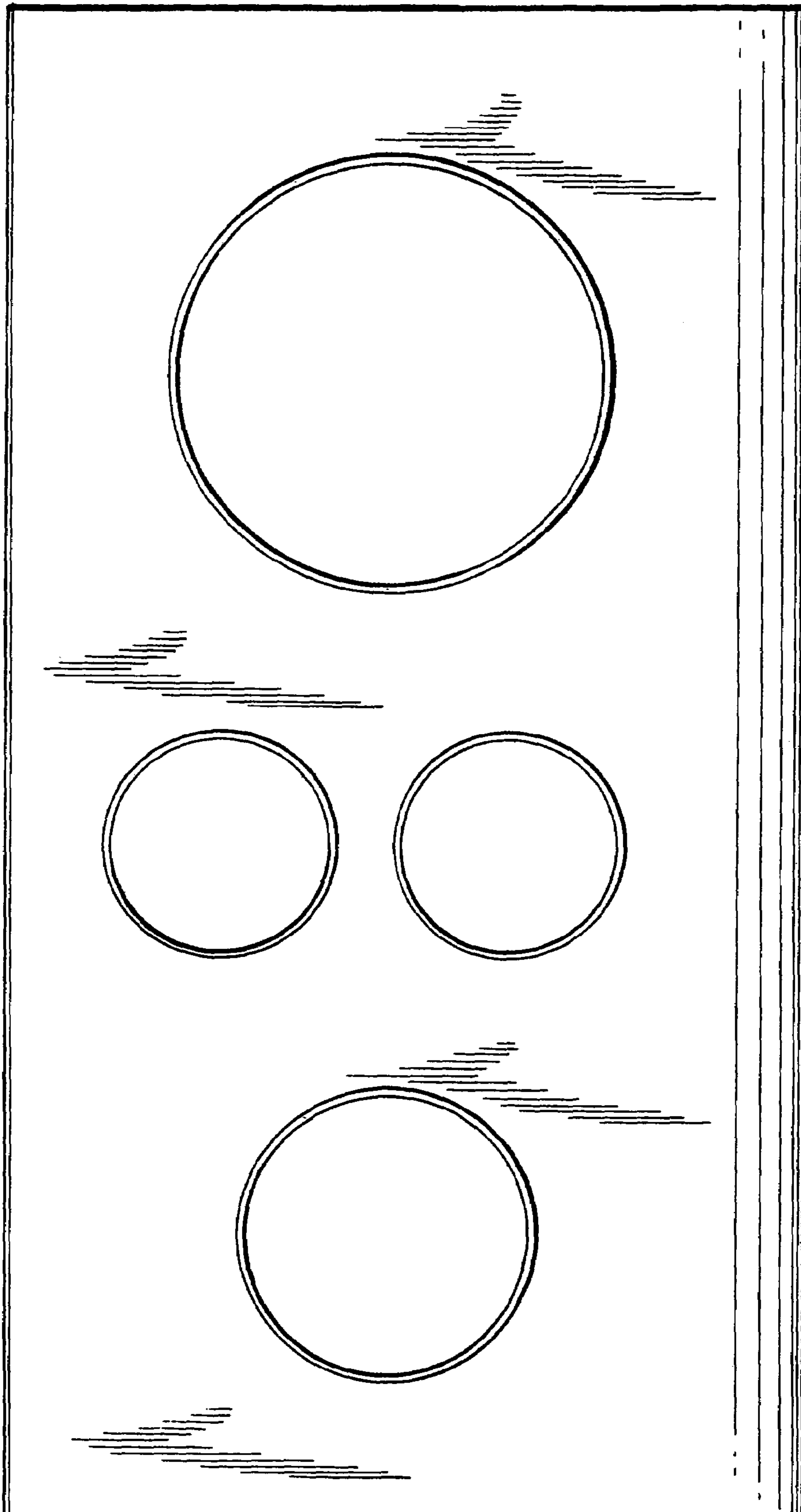


FIG. 7