



US00D552795S

(12) **United States Design Patent**
Wonderley

(10) **Patent No.:** **US D552,795 S**

(45) **Date of Patent:** **** Oct. 9, 2007**

(54) **SURGICAL PREP RAZOR**

(75) Inventor: **Jeffrey W. Wonderley**, Fort Defiance, VA (US)

(73) Assignee: **American Safety Razor**, Verona, VA (US)

(**) Term: **14 Years**

(21) Appl. No.: **29/208,663**

(22) Filed: **Jul. 2, 2004**

(51) **LOC (8) Cl.** **28-03**

(52) **U.S. Cl.** **D28/46; D24/133; D24/147**

(58) **Field of Classification Search** D28/44-48;
606/131, 133; 30/32, 34.05, 34.2, 47, 48,
30/50, 41, 526, 527, 530, 532; D24/133,
D24/147

See application file for complete search history.

(56) **References Cited**

U.S. PATENT DOCUMENTS

| | | | | | |
|-----------|-----|--------|-------------------|-------|--------|
| 3,378,922 | A * | 4/1968 | Schrader et al. | | 30/32 |
| 3,583,262 | A * | 6/1971 | Mullen | | 30/32 |
| D224,481 | S * | 7/1972 | Polsson | | D28/48 |
| 4,069,580 | A * | 1/1978 | Cartwright et al. | | 30/32 |
| D248,578 | S * | 7/1978 | Byrne | | D28/48 |
| 4,443,939 | A * | 4/1984 | Motta et al. | | 30/49 |

| | | | | | |
|----------|-----|---------|-----------|-------|--------|
| D467,387 | S * | 12/2002 | Wonderley | | D28/45 |
| D476,772 | S * | 7/2003 | Wonderley | | D28/48 |
| D499,511 | S * | 12/2004 | Wakayama | | D28/46 |

* cited by examiner

Primary Examiner—Jennifer Rivard

(74) *Attorney, Agent, or Firm*—McDermott Will & Emery LLP

(57) **CLAIM**

The ornamental design for a surgical prep razor, substantially as shown and described.

DESCRIPTION

FIG. 1 is a front perspective view of the surgical prep razor showing the new design;

FIG. 2 is a front view of the surgical prep razor;

FIG. 3 is a rear view of the surgical prep razor;

FIG. 4 is a side view of the surgical prep razor;

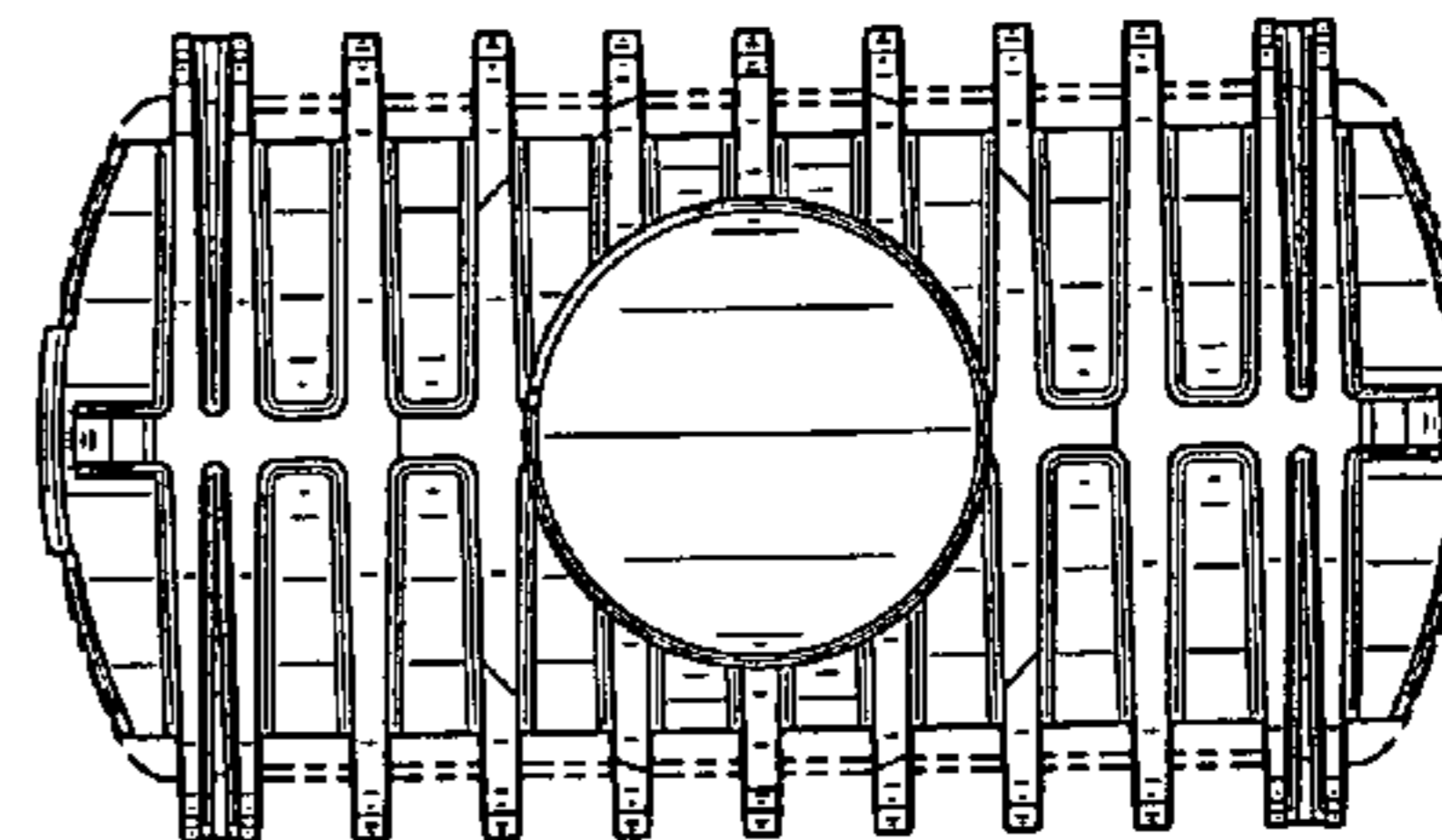
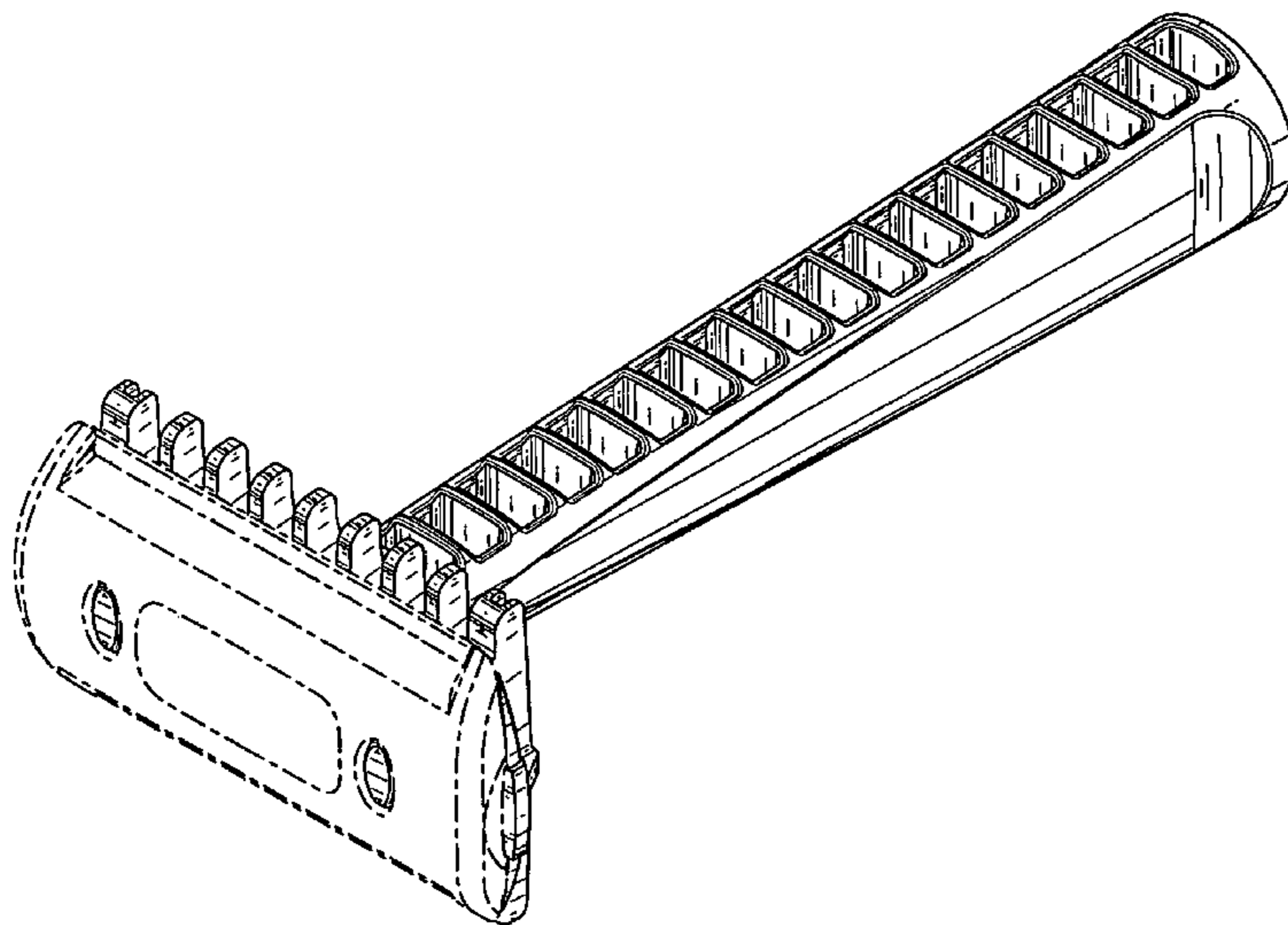
FIG. 5 is another side view of the surgical prep razor;

FIG. 6 is a top view of the surgical prep razor; and,

FIG. 7 is a bottom view of the surgical prep razor.

The broken lines are shown for illustrative purposes only and form no part of the claimed design.

1 Claim, 6 Drawing Sheets



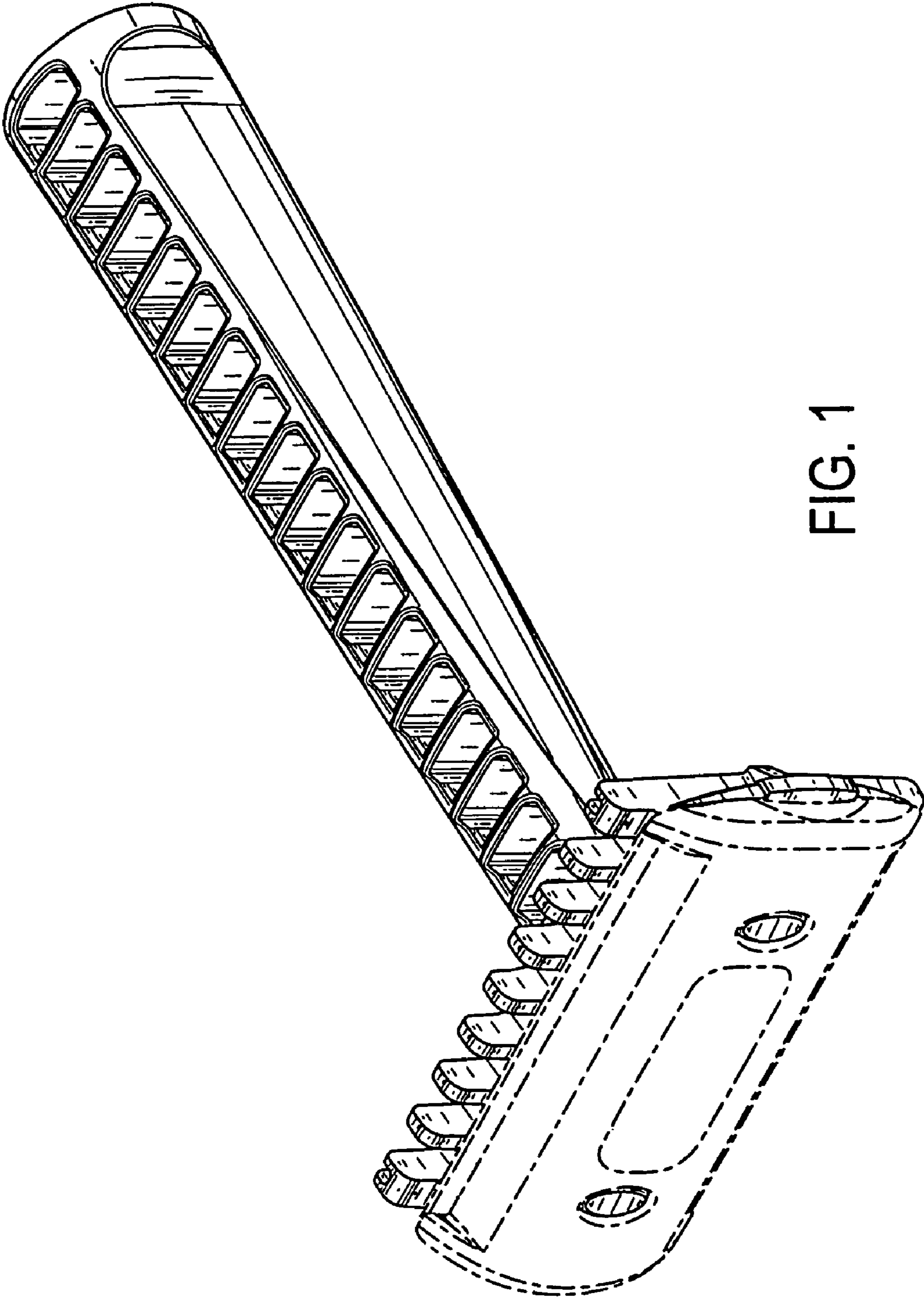


FIG. 1

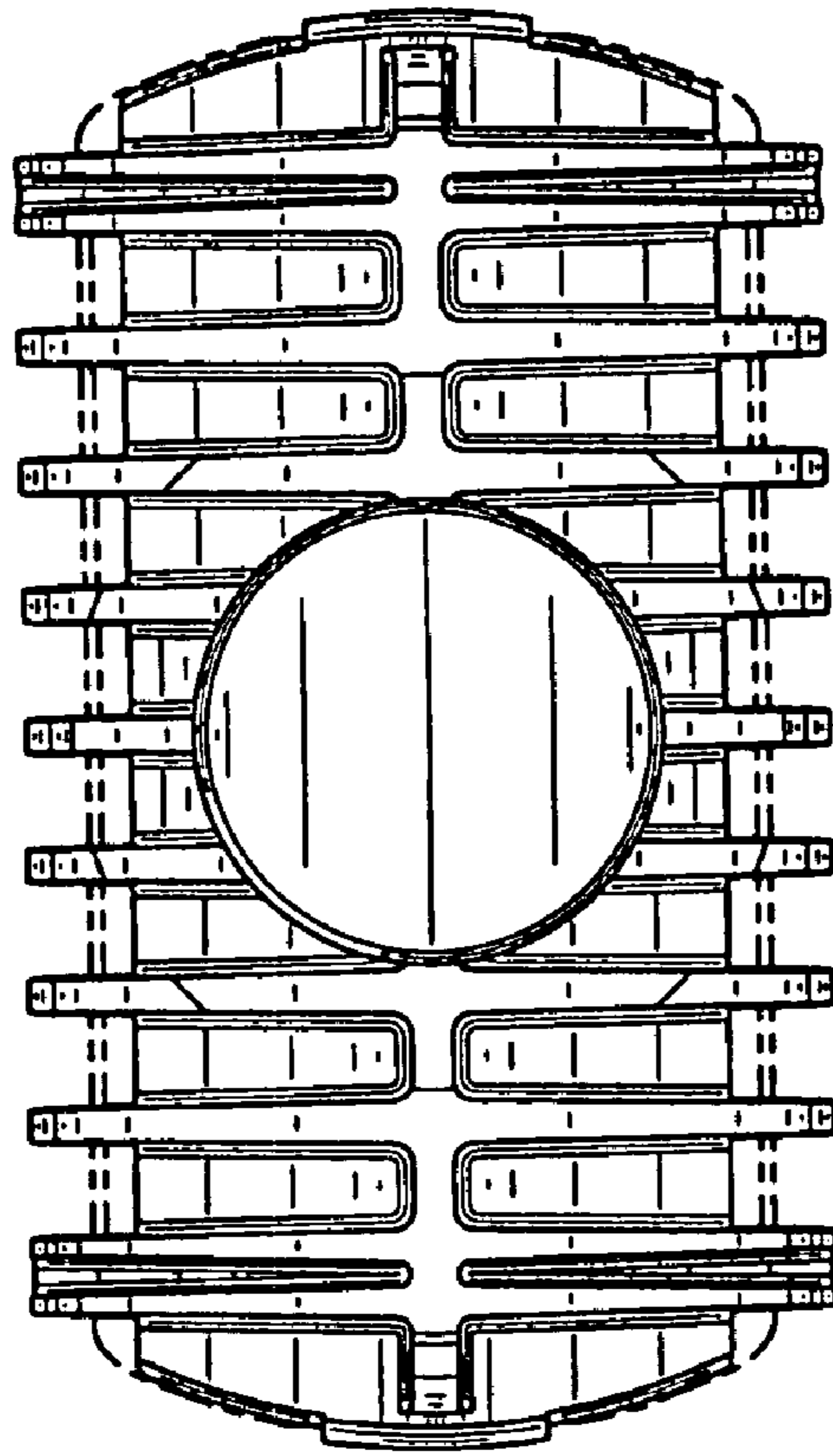


FIG. 3

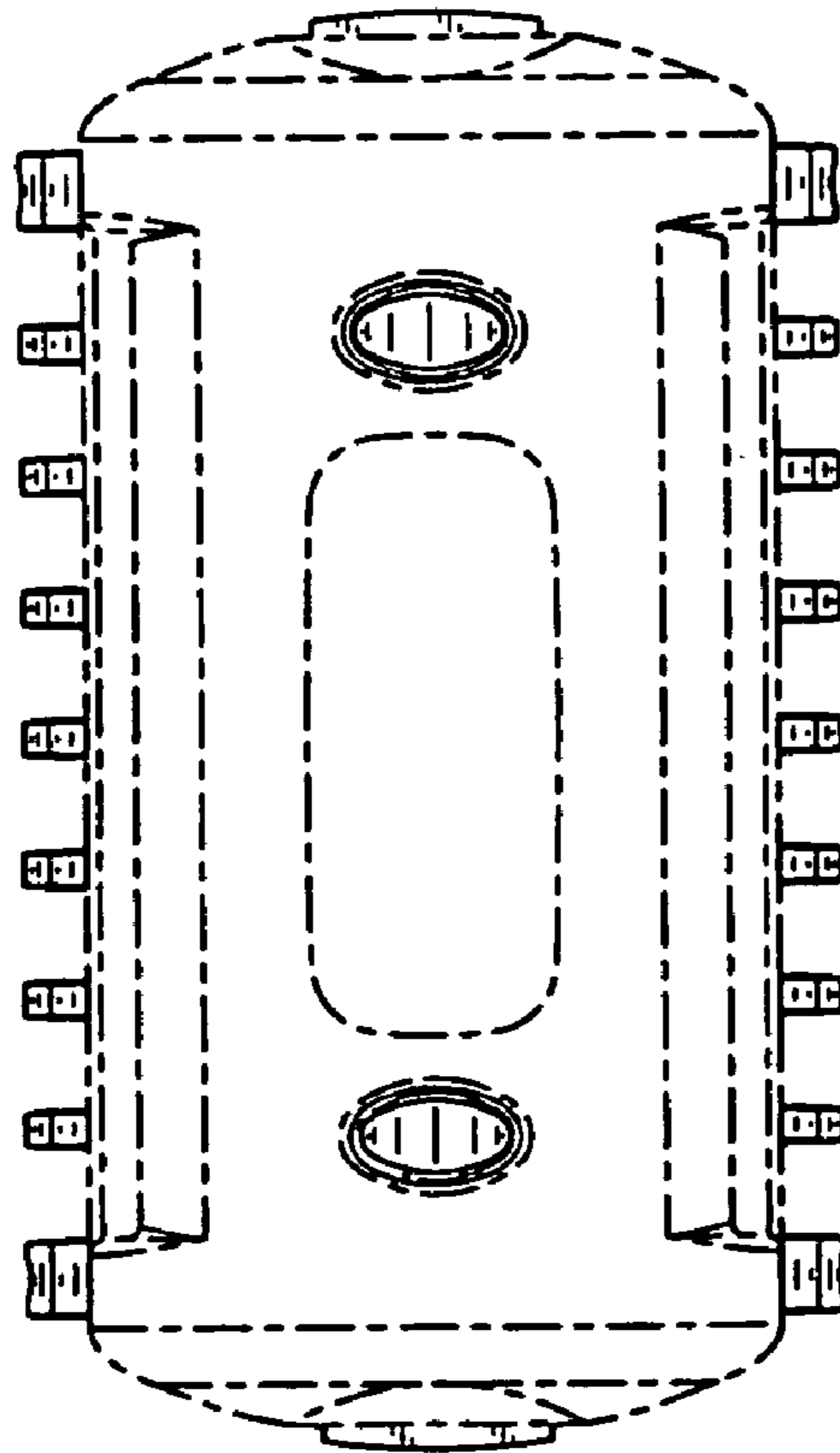


FIG. 2

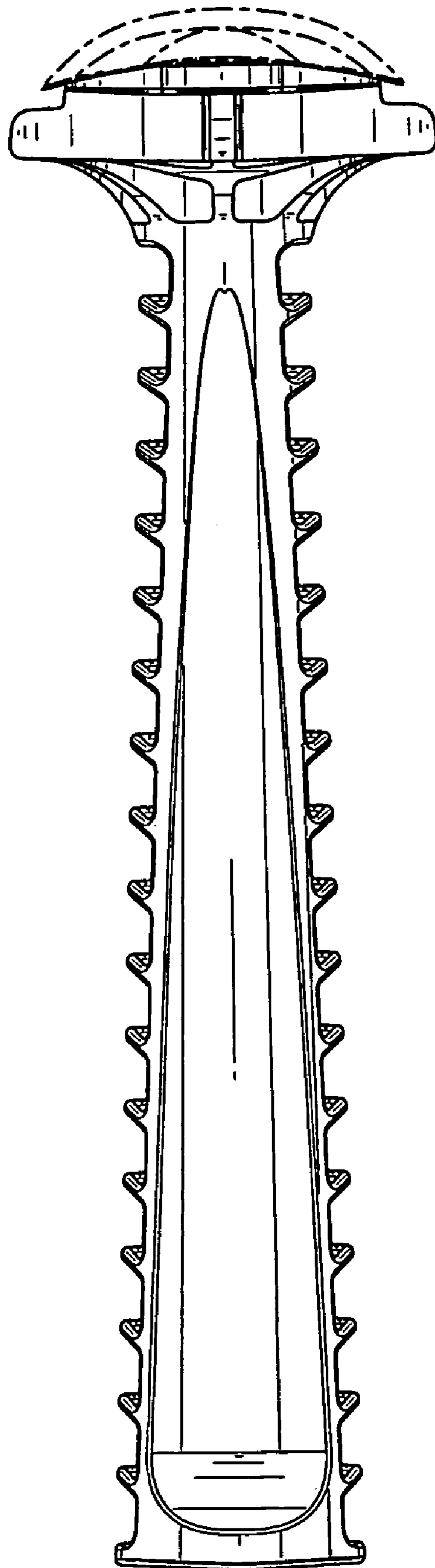


FIG. 4

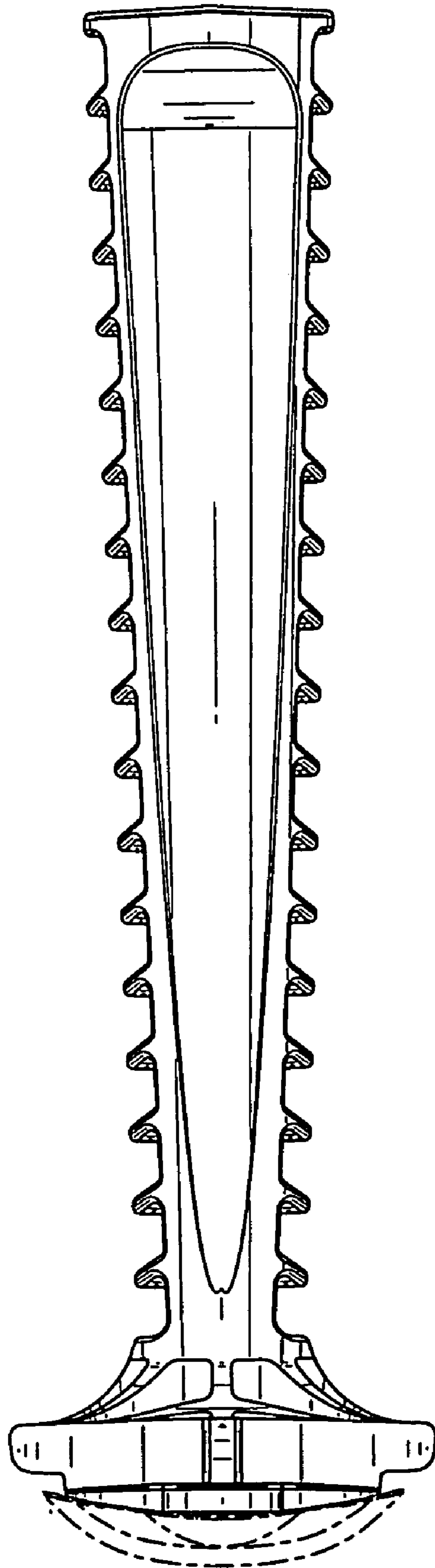


FIG. 5

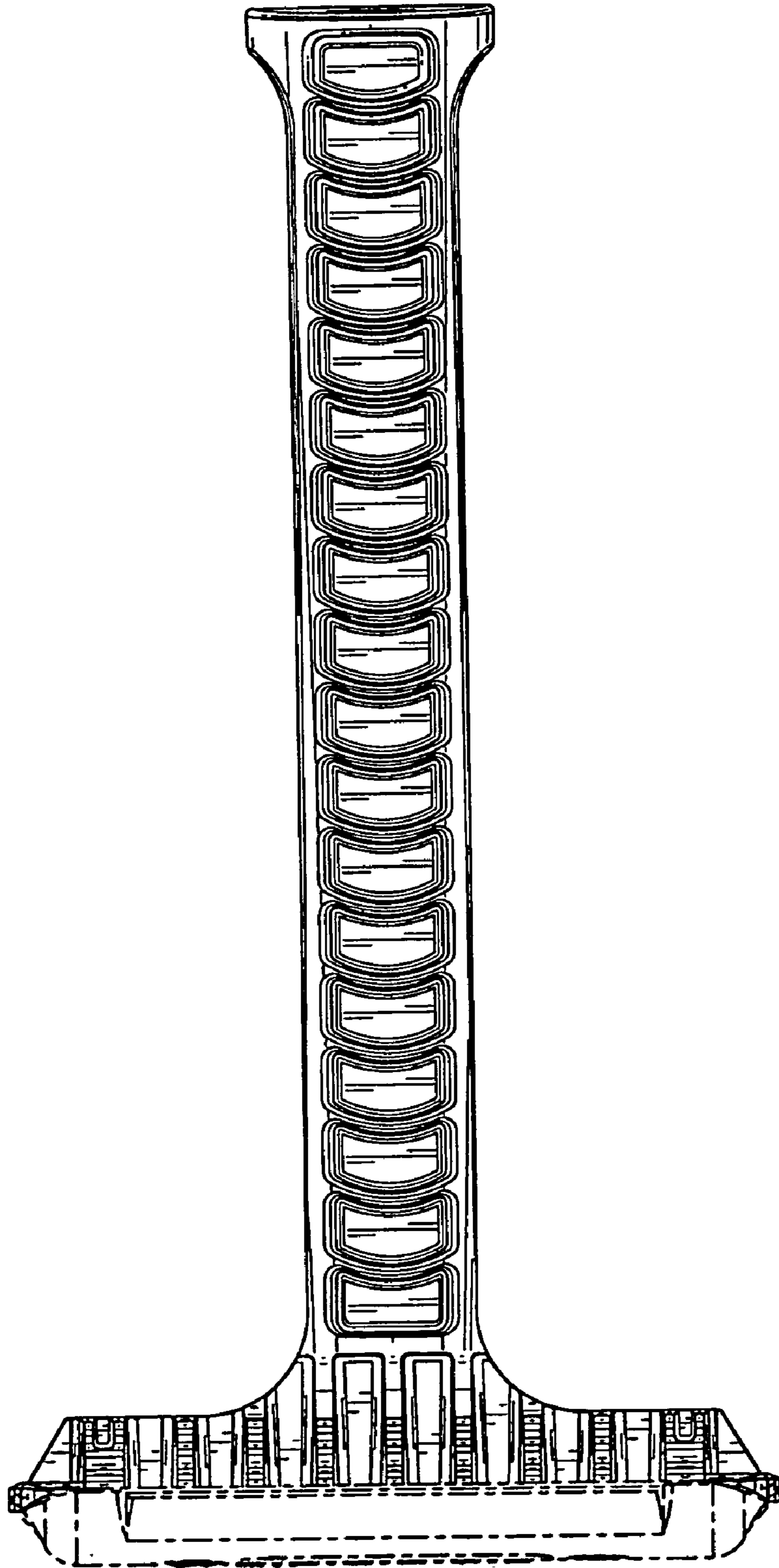


FIG. 6

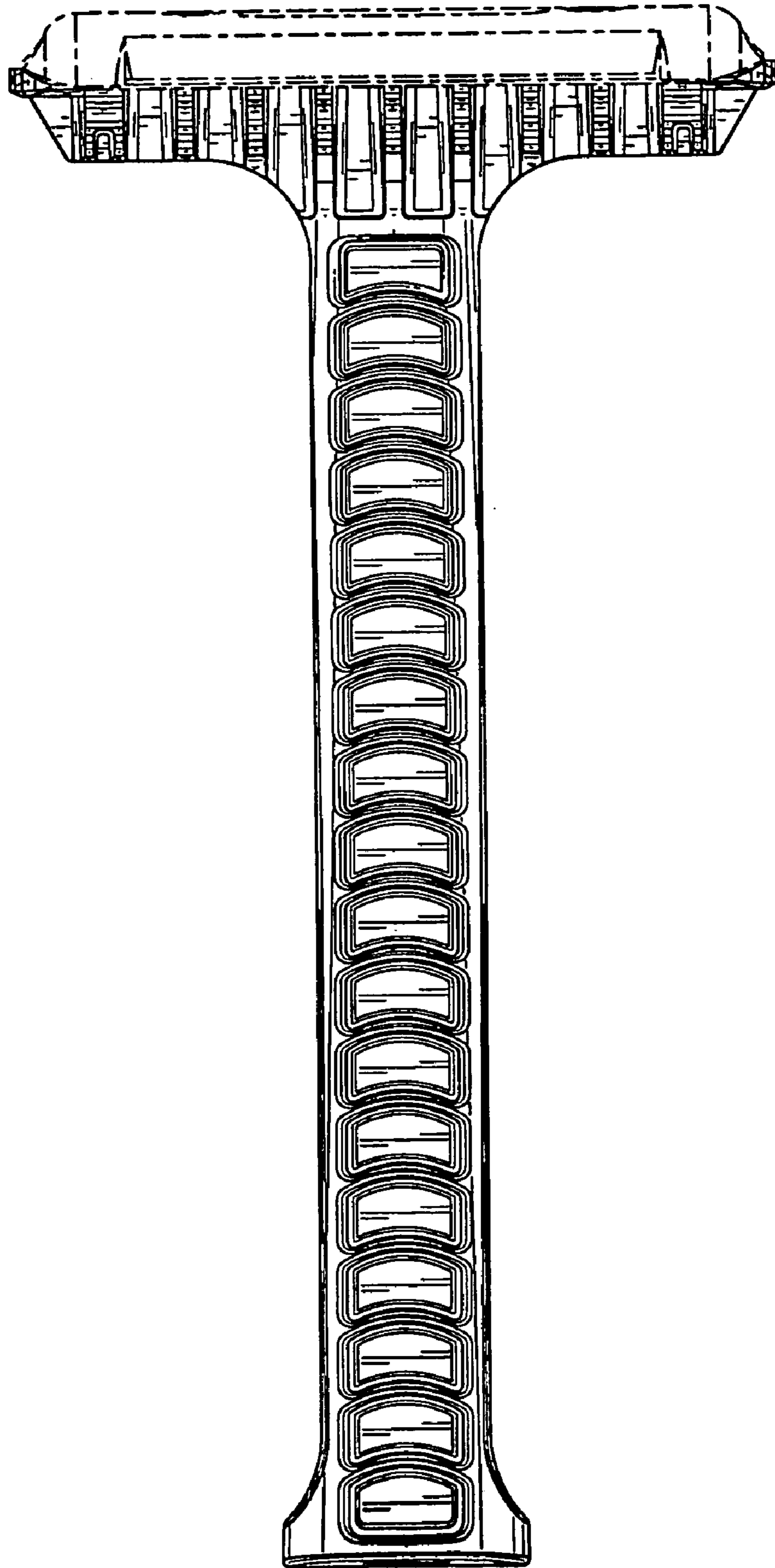


FIG. 7