



US00D552792S

(12) **United States Design Patent**
Bargiel et al.

(10) **Patent No.:** **US D552,792 S**

(45) **Date of Patent:** **** Oct. 9, 2007**

(54) **APPLICATOR DEVICE**

(75) Inventors: **Michael Bargiel**, West Bend, WI (US);
Joshua J. Nelson, Milwaukee, WI
(US); **Glenn Walters**, Grafton, WI
(US); **Frank Pollard**, Long Grove, IL
(US)

(73) Assignee: **DUSA Pharmaceuticals, Inc.**,
Wilmington, MA (US)

(**) Term: **14 Years**

(21) Appl. No.: **29/251,796**

(22) Filed: **Jan. 12, 2006**

(51) **LOC (8) Cl.** **28-02**

(52) **U.S. Cl.** **D28/7**

(58) **Field of Classification Search** D28/7-8,
D28/91.1; D24/119; 15/104.94, 209.1, 210.1;
401/136; 601/138

See application file for complete search history.

(56) **References Cited**

U.S. PATENT DOCUMENTS

D323,038 S *	1/1992	Tarlow	D28/7
5,240,339 A *	8/1993	DeForest et al.	401/207
D384,436 S *	9/1997	Kelley	D28/7
D404,125 S *	1/1999	Weinstein	D24/119
D410,110 S *	5/1999	Roland	D28/7

D448,114 S *	9/2001	Faust et al.	D28/7
D449,407 S *	10/2001	Altobellis et al.	D28/7
D469,259 S *	1/2003	Vosbikian	D4/138
D484,641 S *	12/2003	Whittier et al.	D28/7
D487,164 S *	2/2004	Denton	D28/7
D497,450 S *	10/2004	Scofield	D28/7
D498,022 S *	11/2004	Hanefeld	D28/7
D503,828 S *	4/2005	Hodge	D28/7

* cited by examiner

Primary Examiner—Janice E. Seeger

Assistant Examiner—Zenia I. Bennett

(74) *Attorney, Agent, or Firm*—Vinson & Elkins LLP

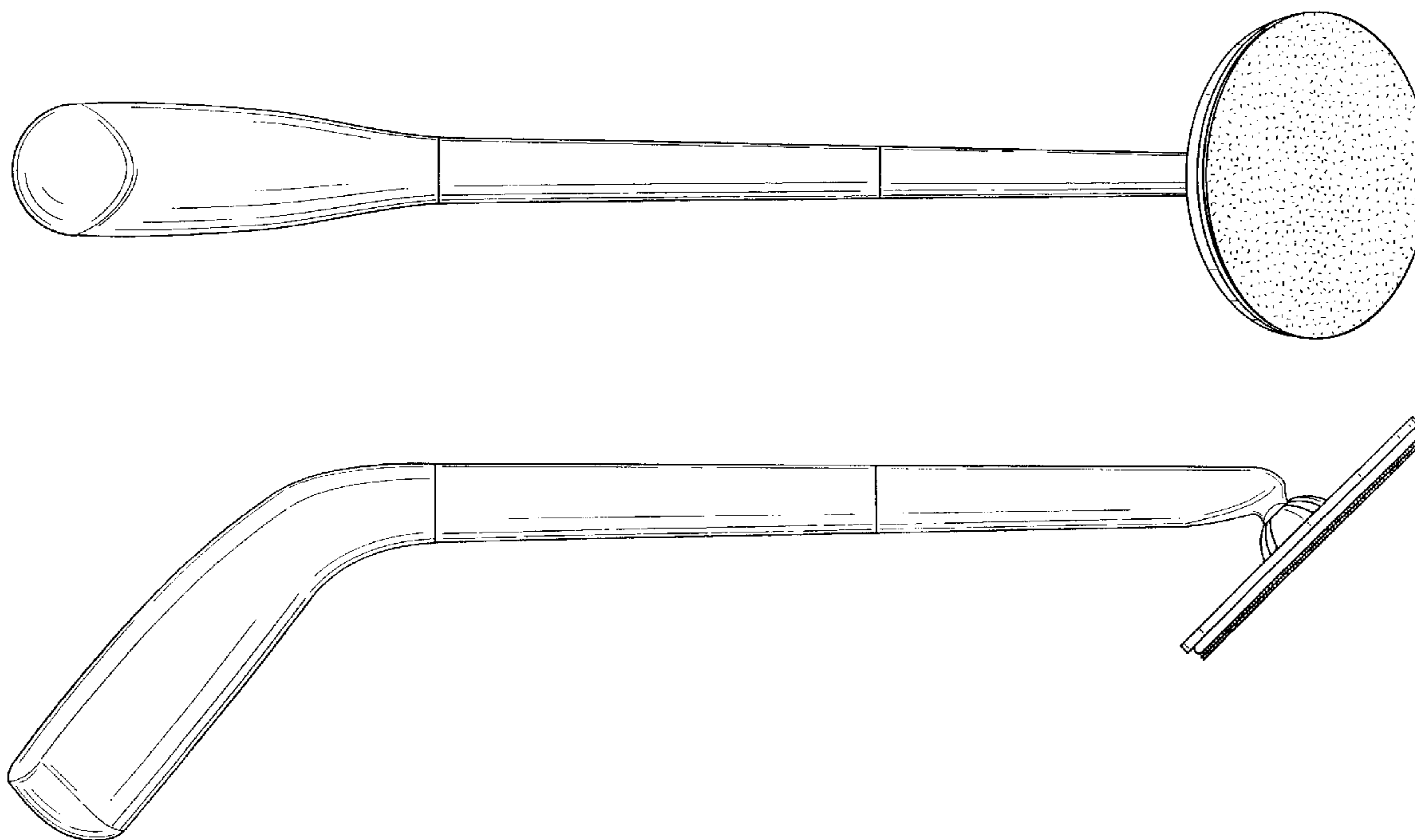
(57) **CLAIM**

We claim the ornamental design for an applicator device, as shown and described.

DESCRIPTION

FIG. 1 is a rear perspective view of the applicator device;
FIG. 2 is a front plan view of the applicator device;
FIG. 3 is a rear plan view of the applicator device;
FIG. 4 is a left elevation view of the applicator device;
FIG. 5 is a right elevation view of the applicator device;
FIG. 6 is a front elevation view of the applicator device; and,
FIG. 7 is a rear elevation view of the applicator device.

1 Claim, 4 Drawing Sheets



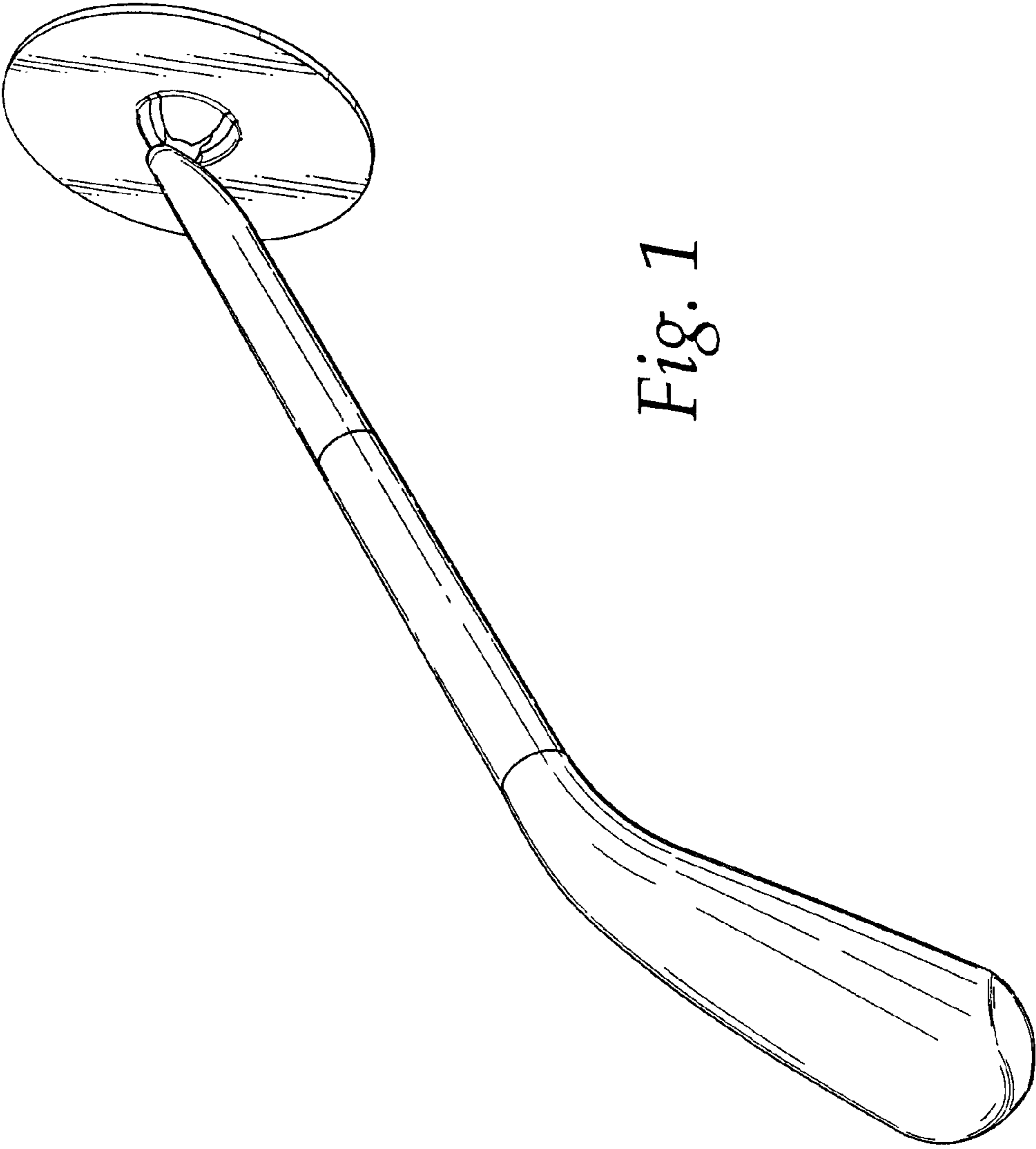


Fig. 1

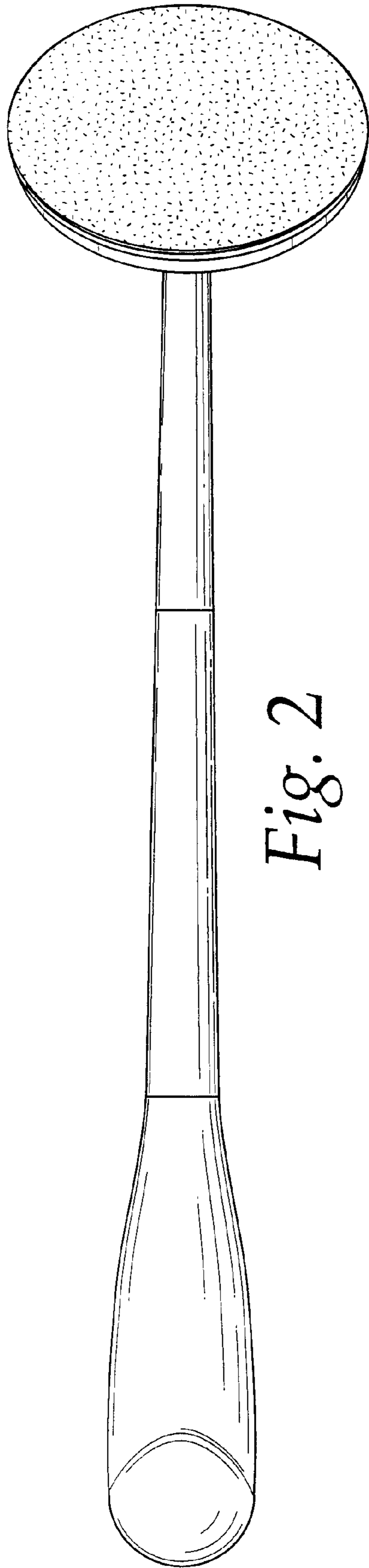


Fig. 2

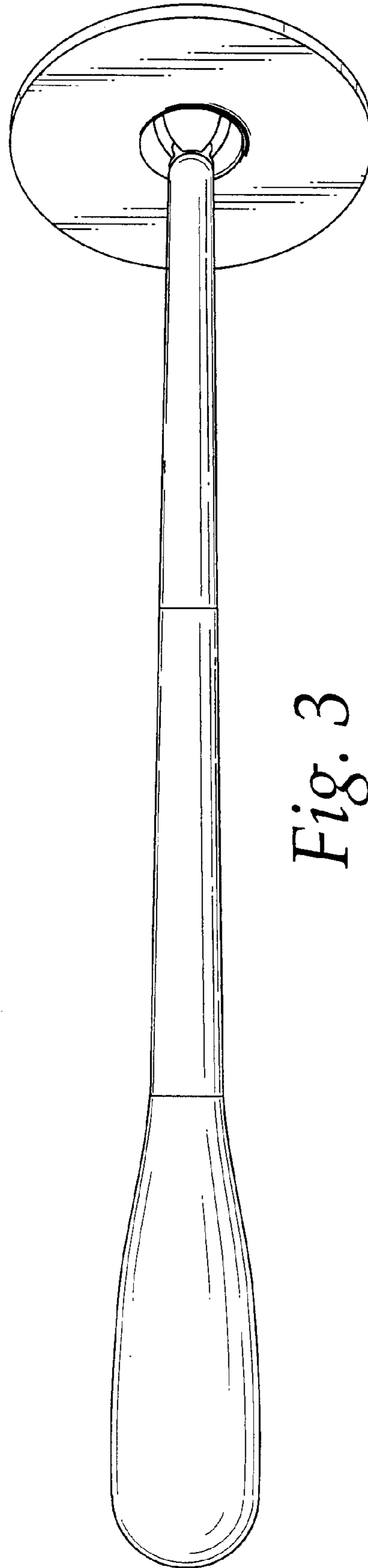


Fig. 3

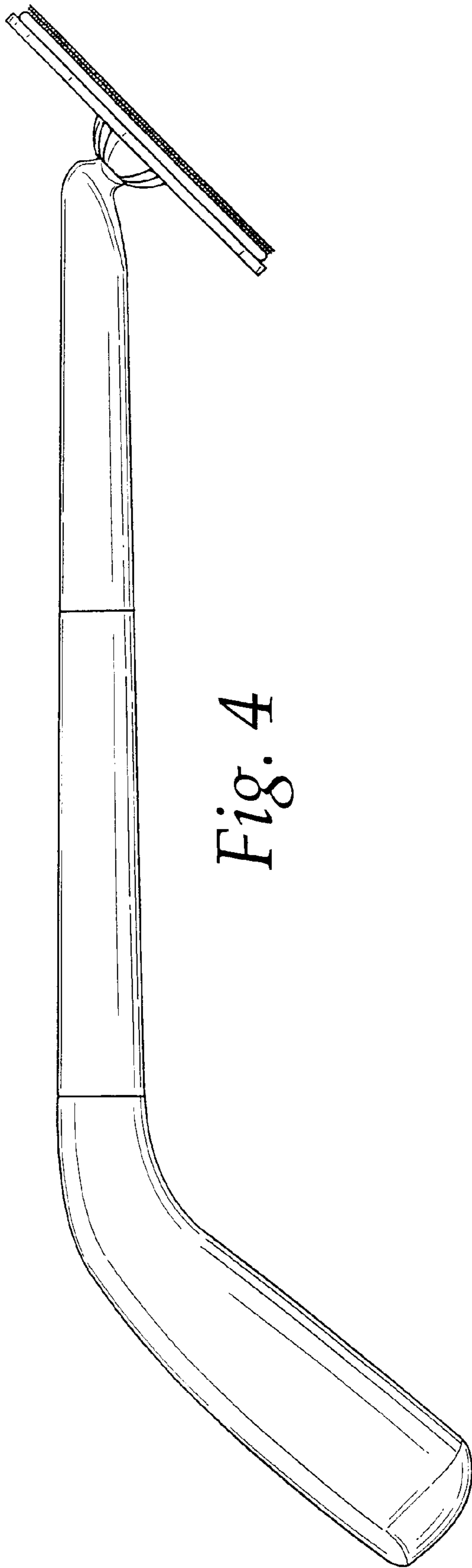


Fig. 4

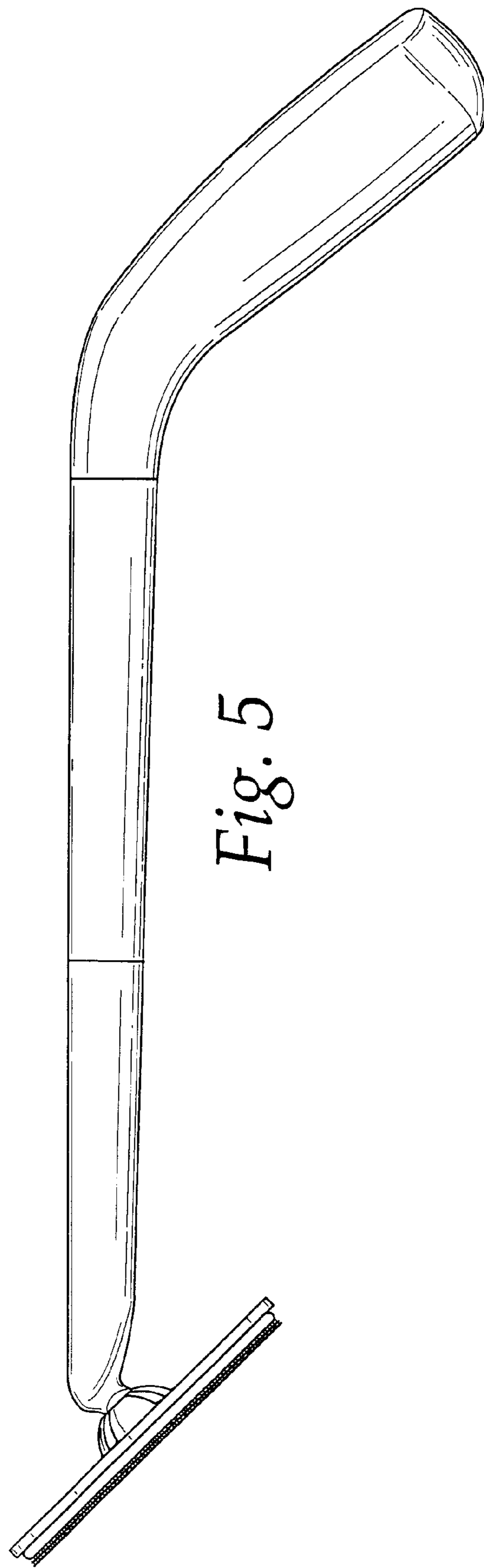


Fig. 5

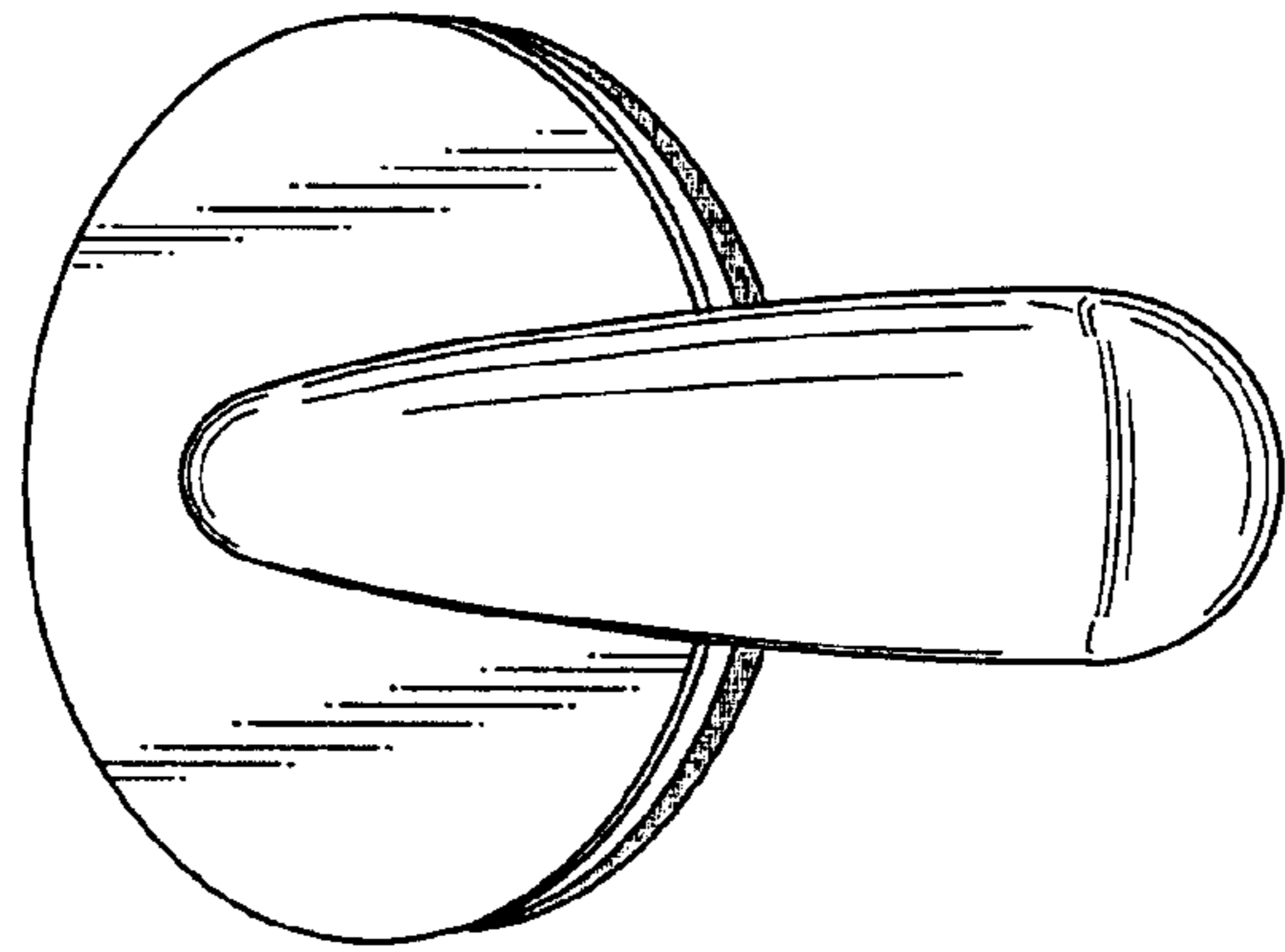


Fig. 7

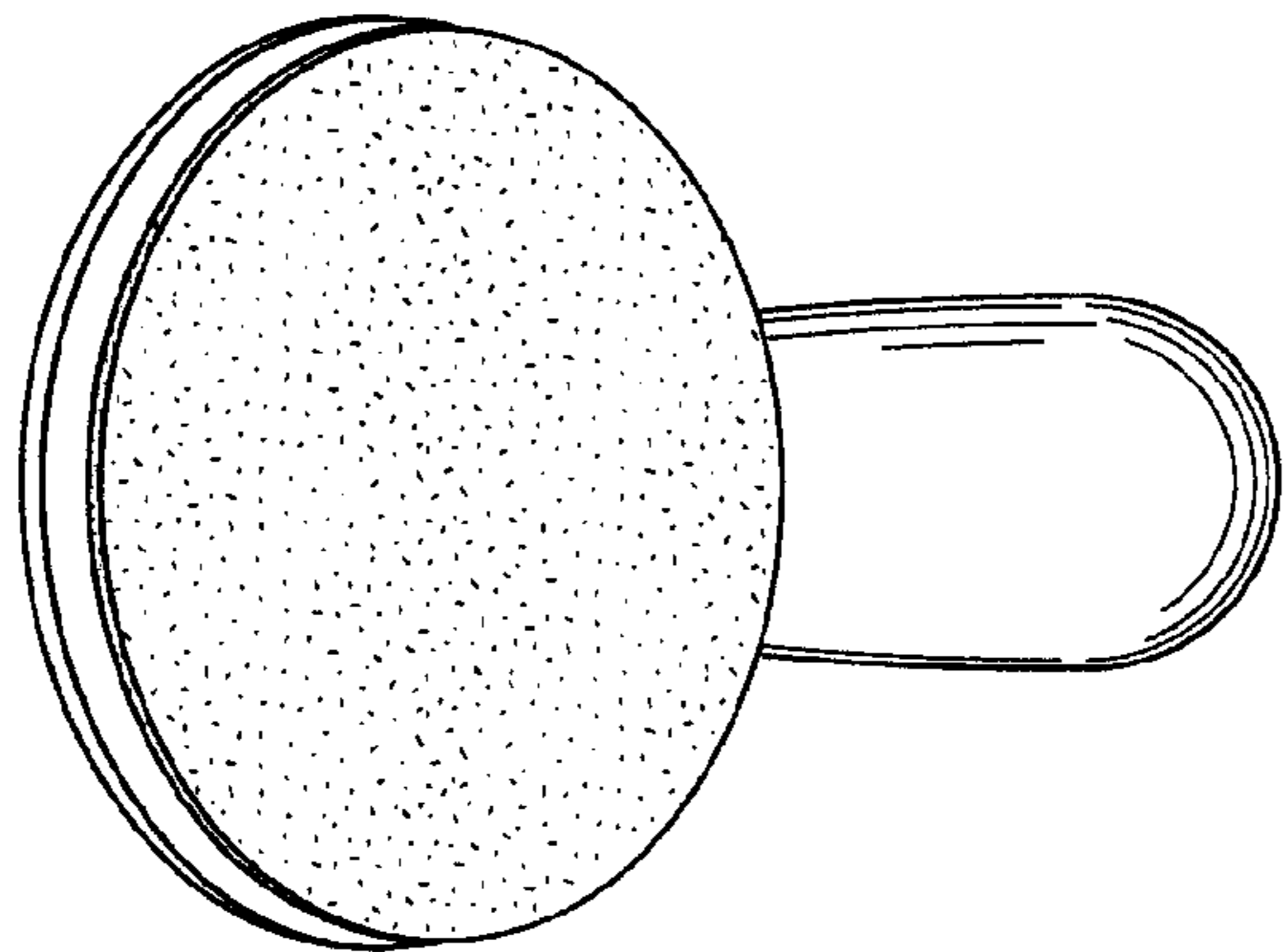


Fig. 6