



US00D552791S

(12) **United States Design Patent**
Toffler

(10) **Patent No.:** **US D552,791 S**

(45) **Date of Patent:** **** Oct. 9, 2007**

(54) **LIGHTER CLIP**

(74) *Attorney, Agent, or Firm*—Timothy M. Barlow

(76) **Inventor:** **Diane L. Toffler**, 299 SW. 7th St.,
#105, Boca Raton, FL (US) 33432

(57) **CLAIM**

The ornamental design for a lighter clip, as shown.

(**) **Term:** **14 Years**

DESCRIPTION

(21) **Appl. No.:** **29/272,045**

FIG. 1 is a top rear perspective view of a lighter clip according to the present invention;

(22) **Filed:** **Jan. 31, 2007**

FIG. 2 is a bottom rear perspective view of a lighter clip according to the present invention;

(51) **LOC (8) Cl.** **27-05**

FIG. 3 is a top front perspective view of a lighter clip according to the present invention;

(52) **U.S. Cl.** **D27/161; D27/172**

FIG. 4 is a bottom view of a lighter clip according to the present invention;

(58) **Field of Classification Search** 431/253;
206/85–89; D27/139–161, 172

See application file for complete search history.

FIG. 5 is a top view of a lighter clip according to the present invention;

(56) **References Cited**

U.S. PATENT DOCUMENTS

FIG. 6 is a back view of a lighter clip according to the present invention;

D283,734 S * 5/1986 Parren D27/153

FIG. 7 is a front view of a lighter clip according to the present invention; and,

5,740,905 A * 4/1998 Kilfoy 206/87

FIG. 8 is a side view of a lighter clip according to the present invention.

D484,274 S * 12/2003 Shioi D27/161

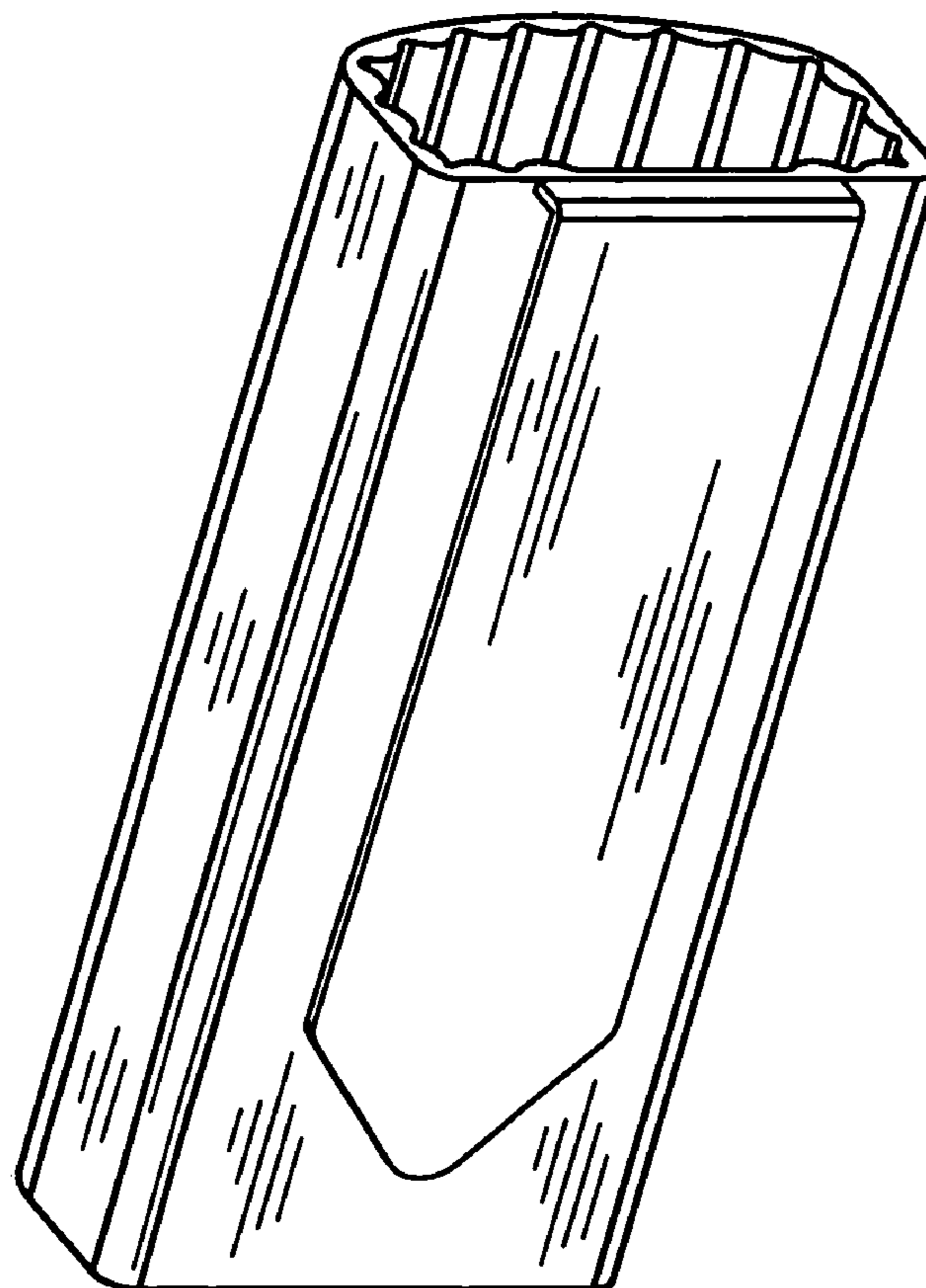
D489,478 S * 5/2004 Shioi D27/142

D527,488 S * 8/2006 Hung D27/161

* cited by examiner

Primary Examiner—Jennifer Rivard

1 Claim, 3 Drawing Sheets



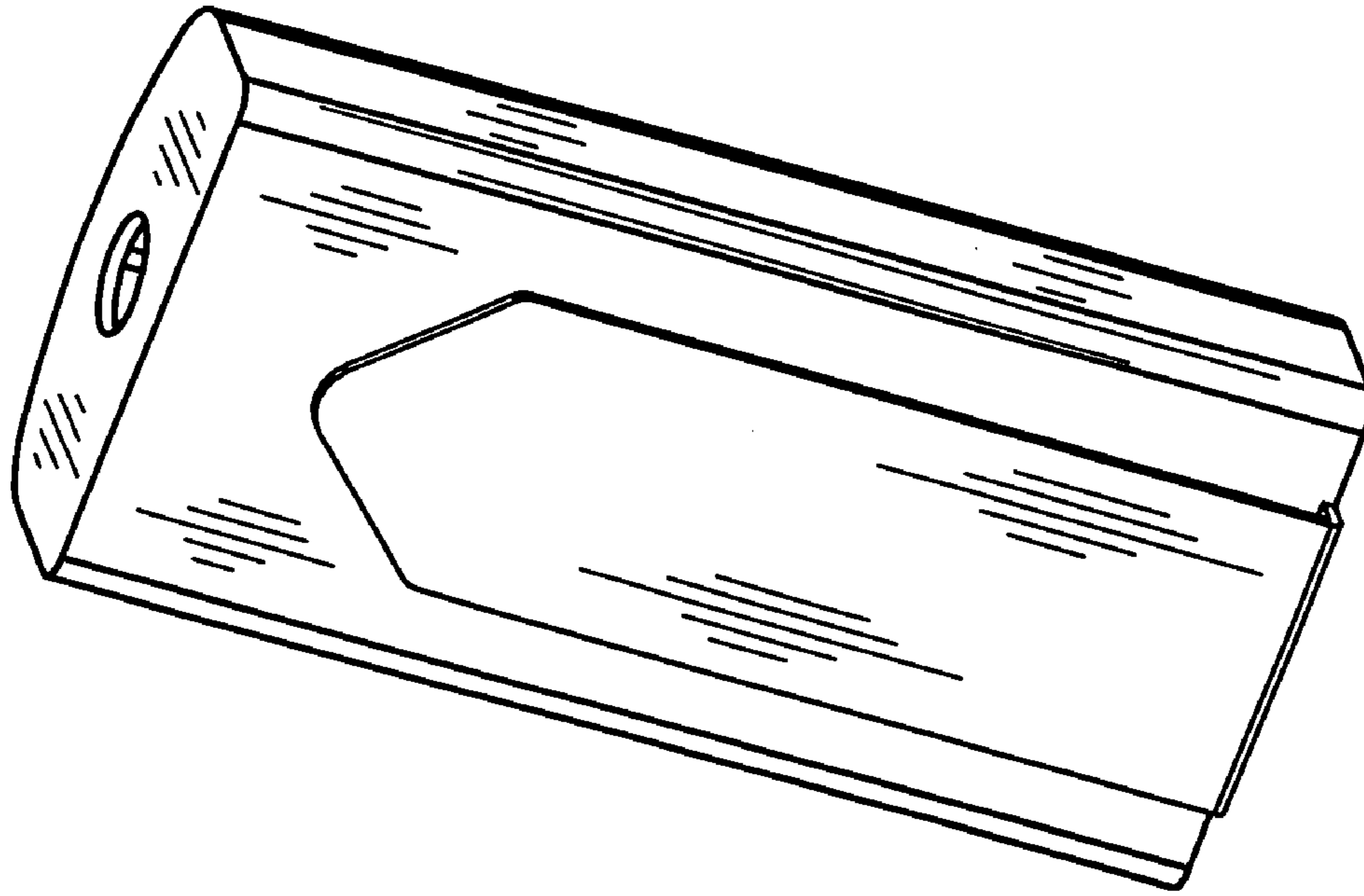


FIG. 2

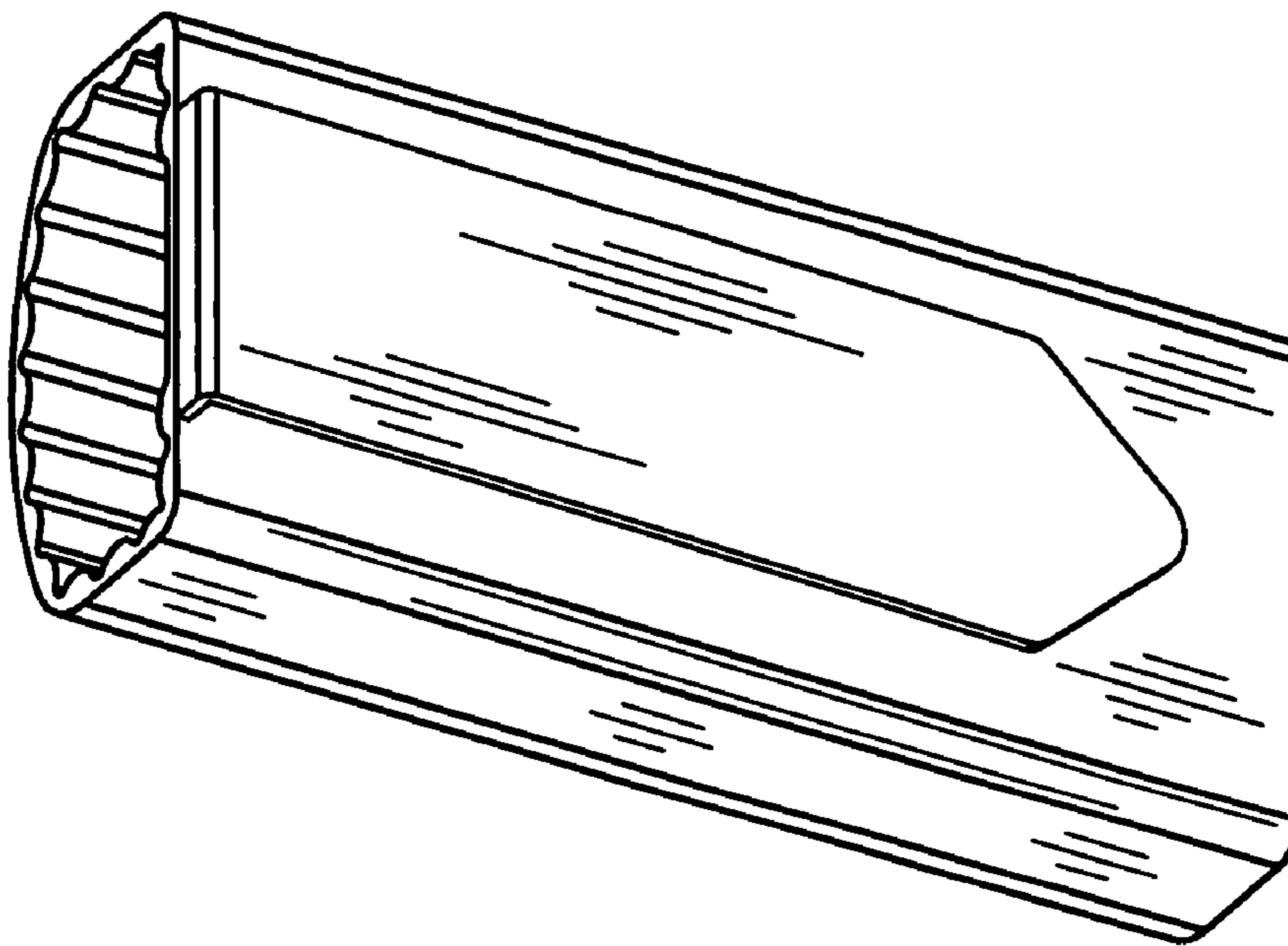


FIG. 1

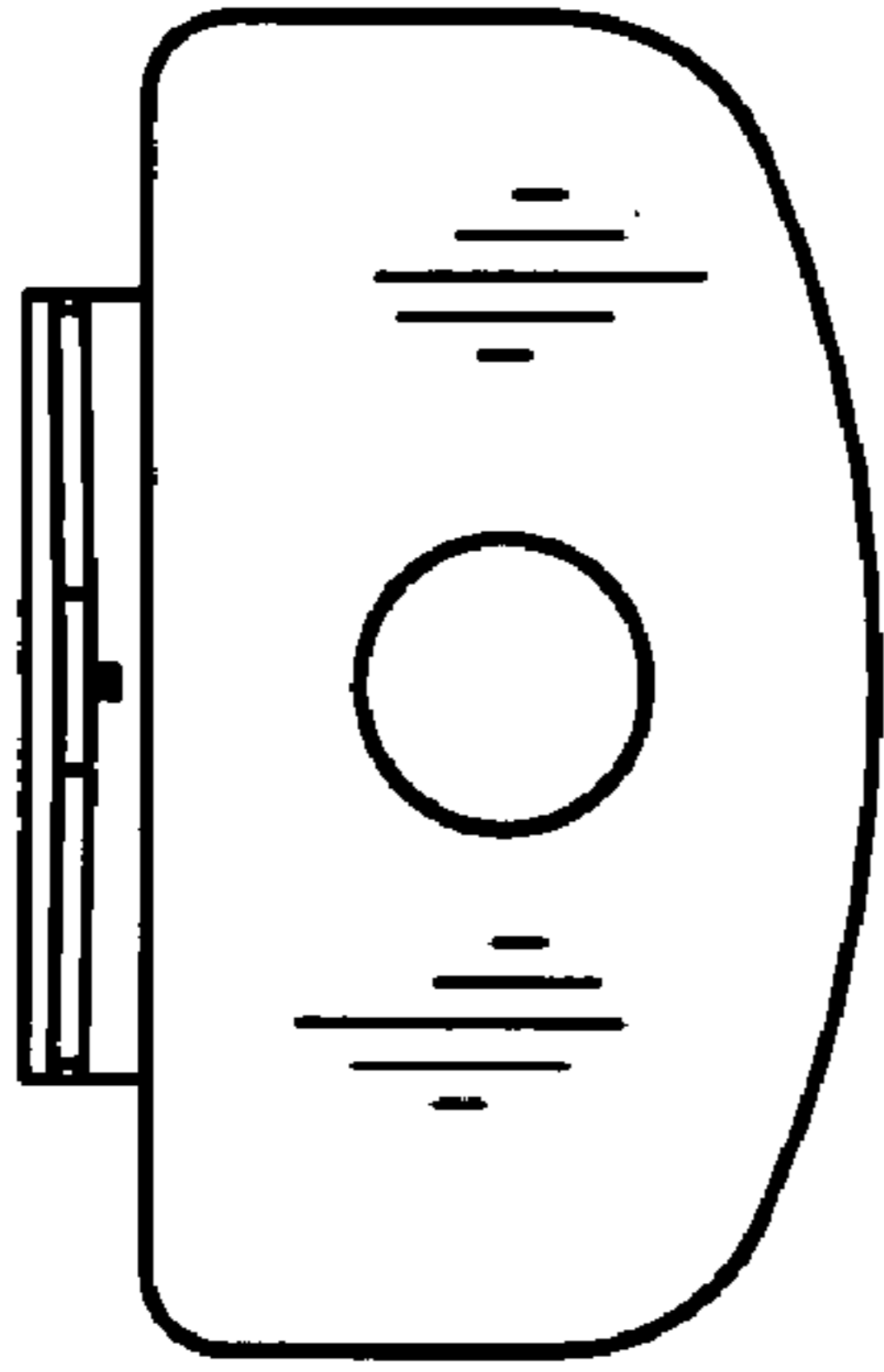


FIG. 4

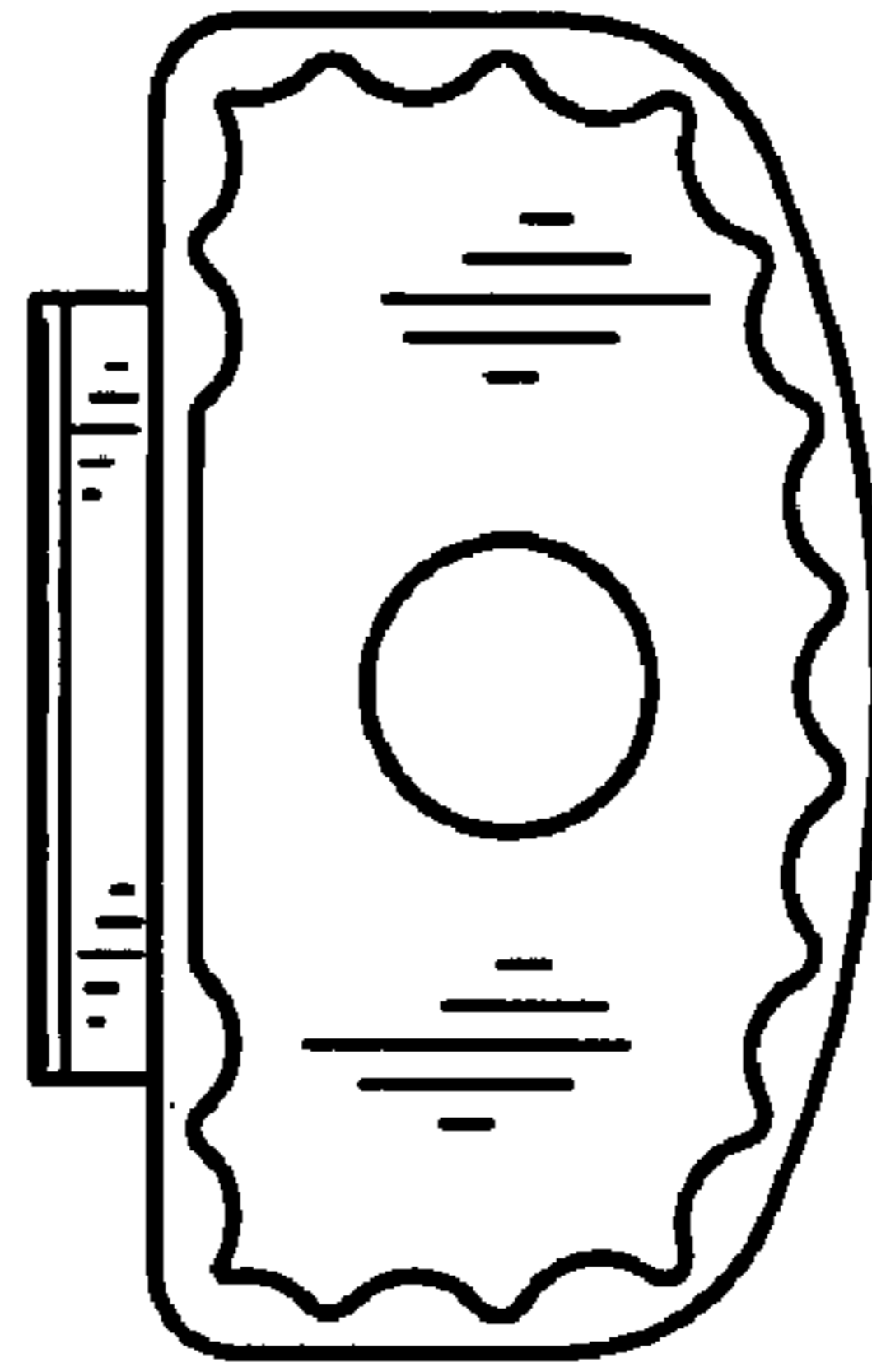


FIG. 5

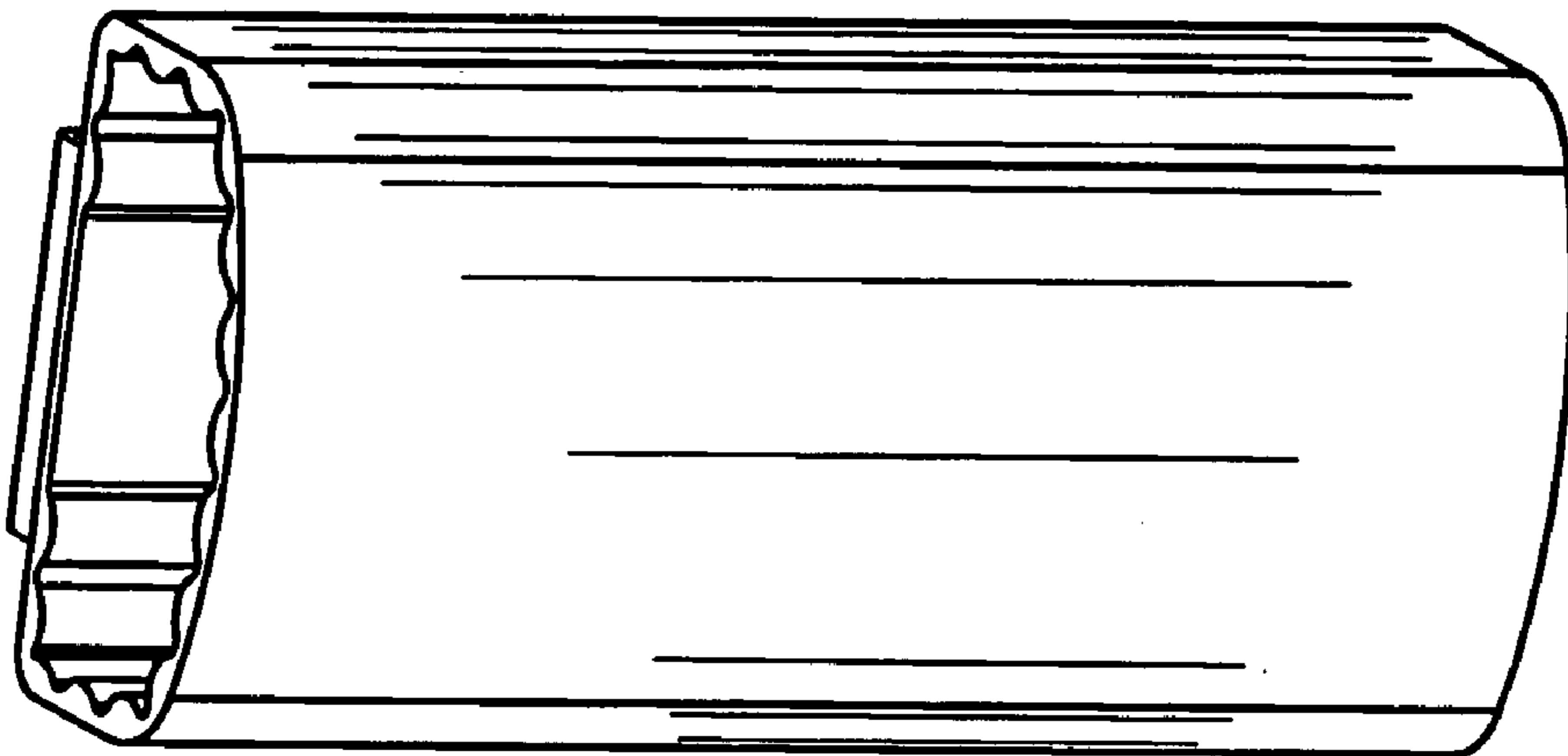


FIG. 3

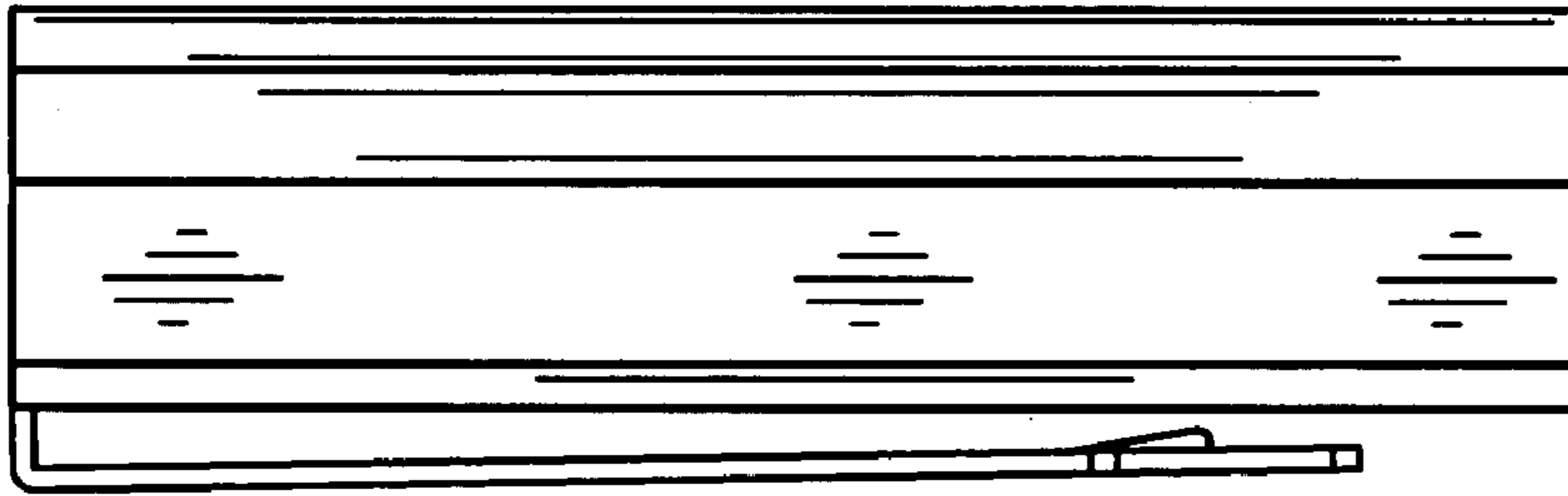


FIG. 8

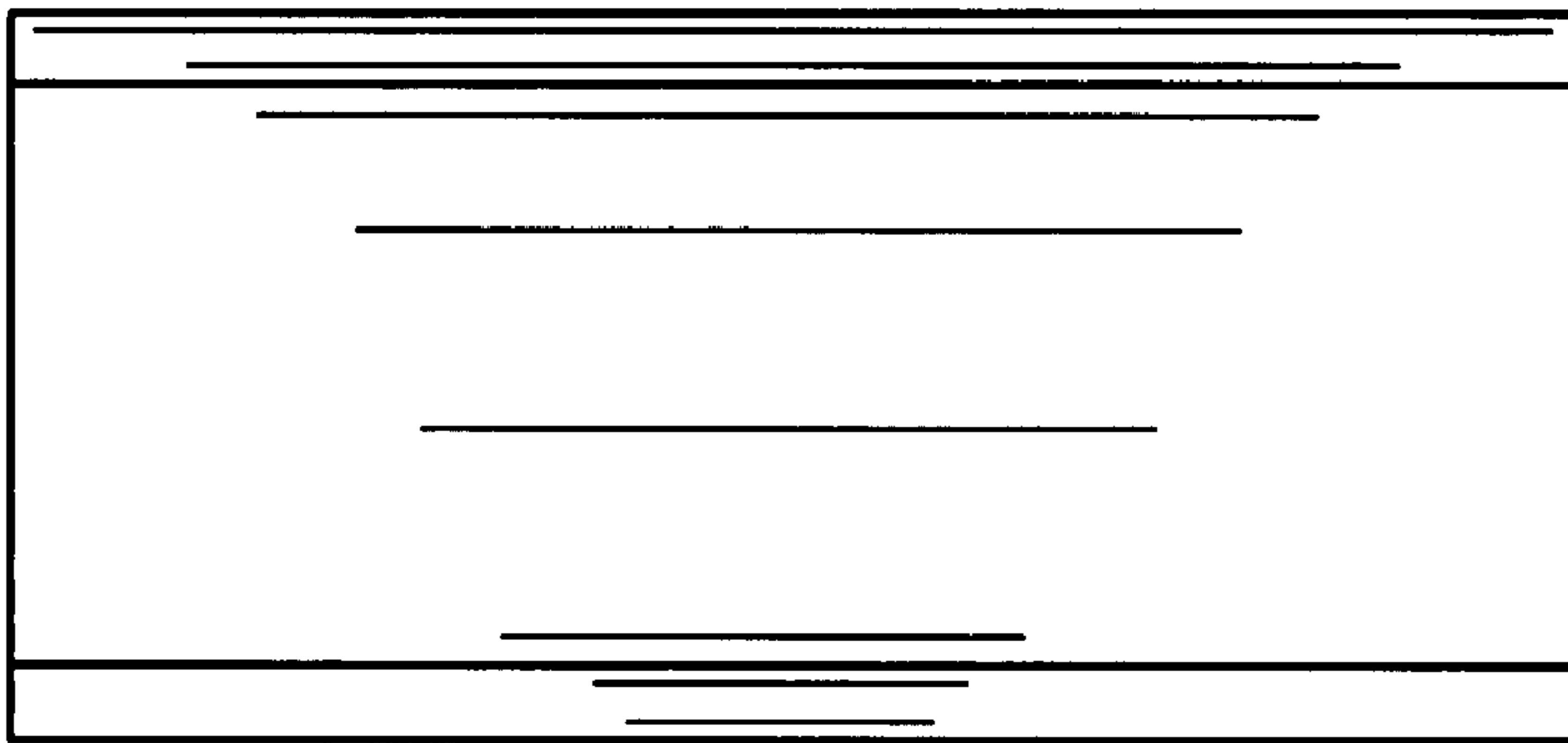


FIG. 7

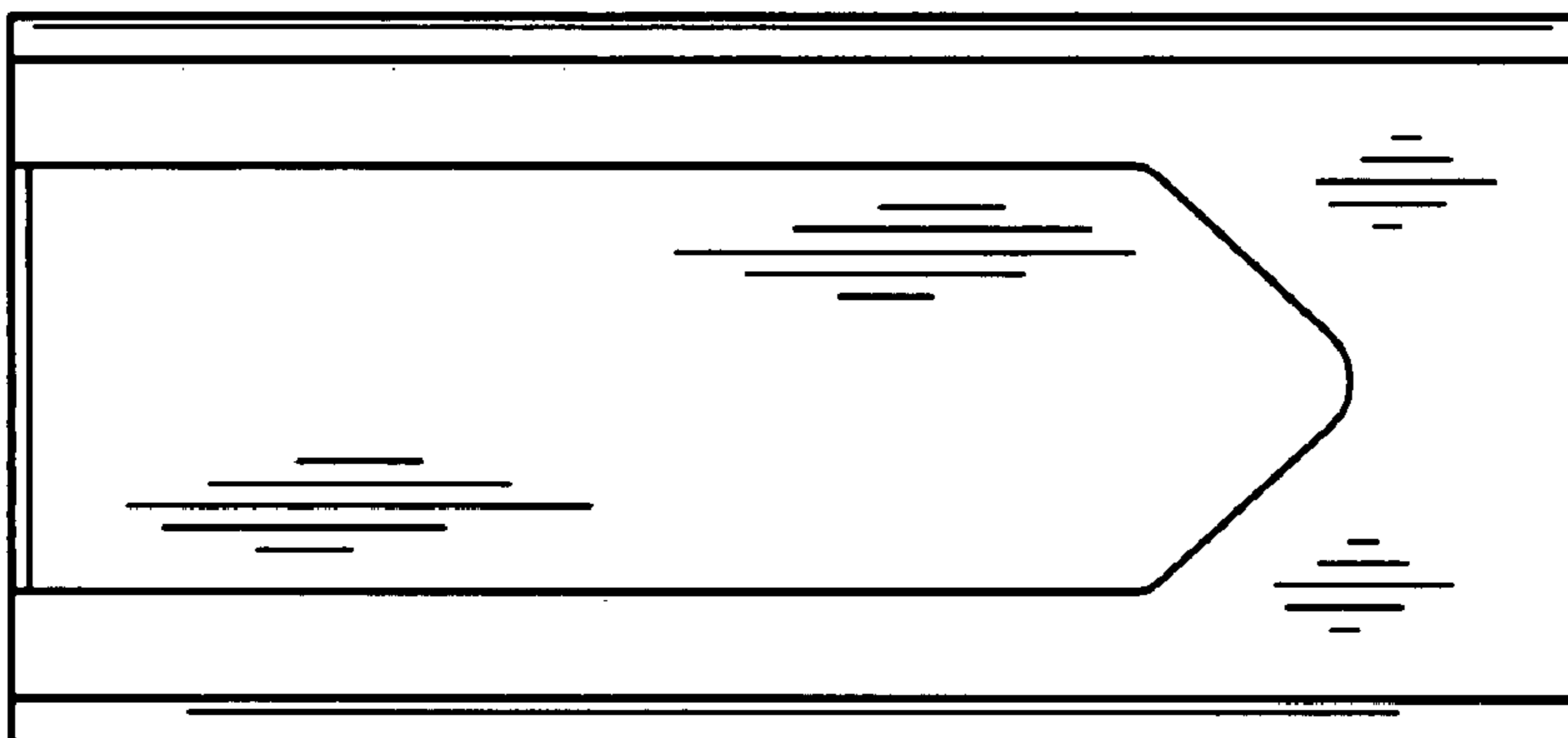


FIG. 6