



US00D552788S

(12) **United States Design Patent**
Mier-Langner et al.

(10) **Patent No.:** **US D552,788 S**

(45) **Date of Patent:** **** Oct. 9, 2007**

(54) **LOW VOLTAGE TRACK LIGHT FIXTURE**

D437,953 S * 2/2001 Donato D26/63
6,220,721 B1 * 4/2001 Chan et al. 362/219
D472,671 S * 4/2003 Vegliante D26/155

(75) Inventors: **Alejandro Mier-Langner**, Providence, RI (US); **Robert S. Gosnell**, Scituate, MA (US); **James E. Kuchar**, Fall River, MA (US)

* cited by examiner

(73) Assignee: **Genlyte Thomas Group, LLC**, Louisville, KY (US)

Primary Examiner—Freda S. Nunn
Assistant Examiner—Kevin K. Rudzinski
(74) *Attorney, Agent, or Firm*—John F. Salazar; Middleton Reutlinger

(**) Term: **14 Years**

(57) **CLAIM**

(21) Appl. No.: **29/253,612**

The ornamental design for a low voltage track light fixture, as shown and described.

(22) Filed: **Feb. 9, 2006**

(51) **LOC (8) Cl.** **26-99**

DESCRIPTION

(52) **U.S. Cl.** **D26/138**

(58) **Field of Classification Search** D26/63,
D26/85, 138, 155, 24, 60, 61, 65, 72, 76,
D26/79, 81, 83, 88, 113, 142, 152; 362/404,
362/147, 418, 217, 219, 648, 659; 248/342;
439/110, 121; D13/155

FIG. 1 is a perspective view of the low voltage track light fixture of the present invention;

See application file for complete search history.

FIG. 2 is a top view of the design of the present invention;
FIG. 3 is a left side view of the design of the present invention;

(56) **References Cited**

U.S. PATENT DOCUMENTS

2,426,436 A * 8/1947 Cochener 362/371
3,894,781 A * 7/1975 Donato 439/121
4,609,979 A * 9/1986 Kristofek 362/427
4,833,579 A * 5/1989 Skegin 362/362
D320,866 S * 10/1991 Stringer et al. D26/138
D328,154 S * 7/1992 Wereley D26/140
D354,148 S * 1/1995 Roos D26/63
5,593,224 A * 1/1997 Kunkel et al. 362/287
D402,384 S * 12/1998 Chen D26/63
D405,554 S * 2/1999 Klaus D26/63

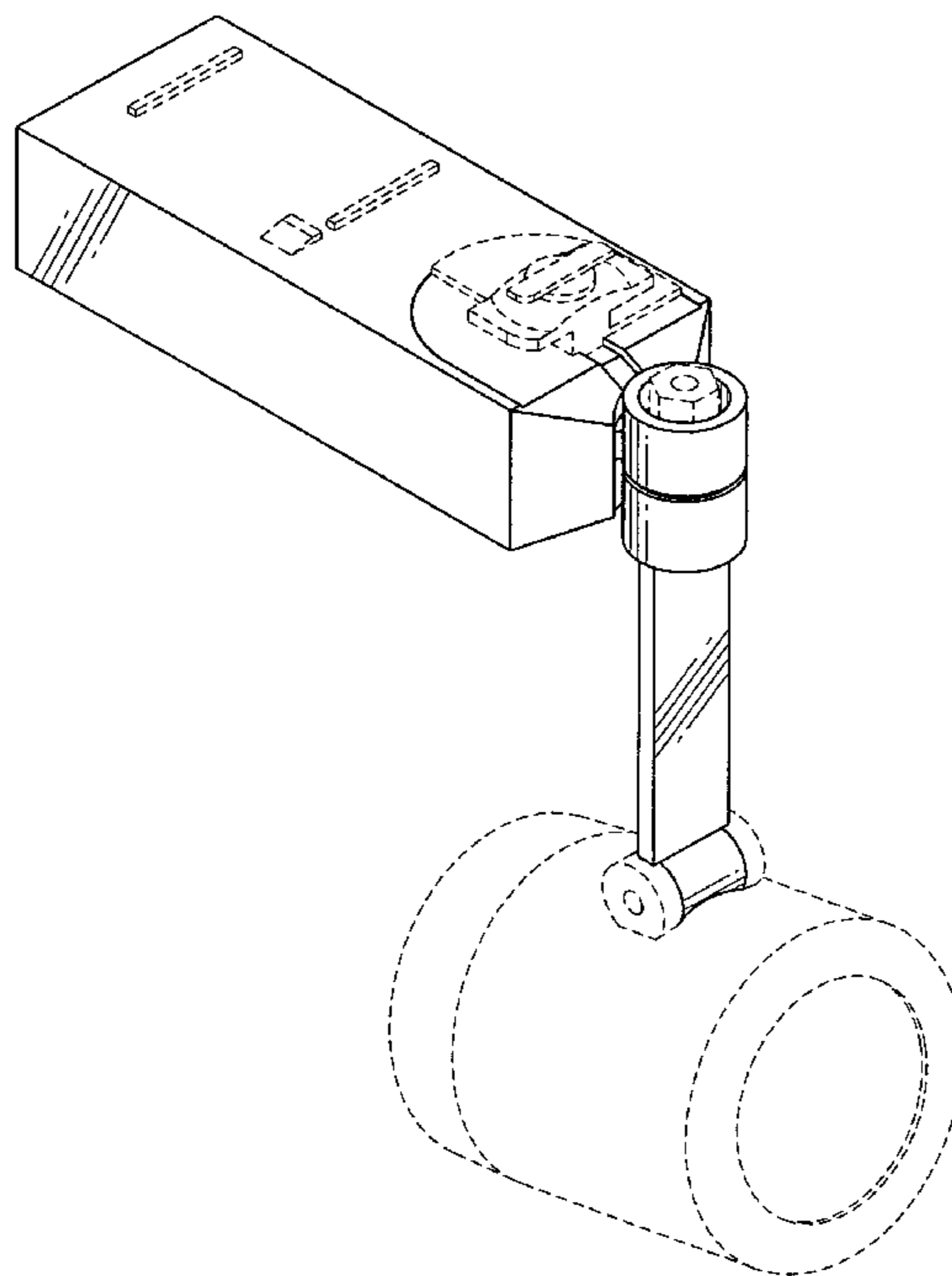
FIG. 4 is a right side view of the design of the present invention;

FIG. 5 is a front view of the design of the present invention;
FIG. 6 is a rear view of the design of the present invention;
and,

FIG. 7 is a bottom view of the design of the present invention.

The broken lines showing environmental structure are for illustrative purposes only and forms no part of the claimed design.

1 Claim, 7 Drawing Sheets



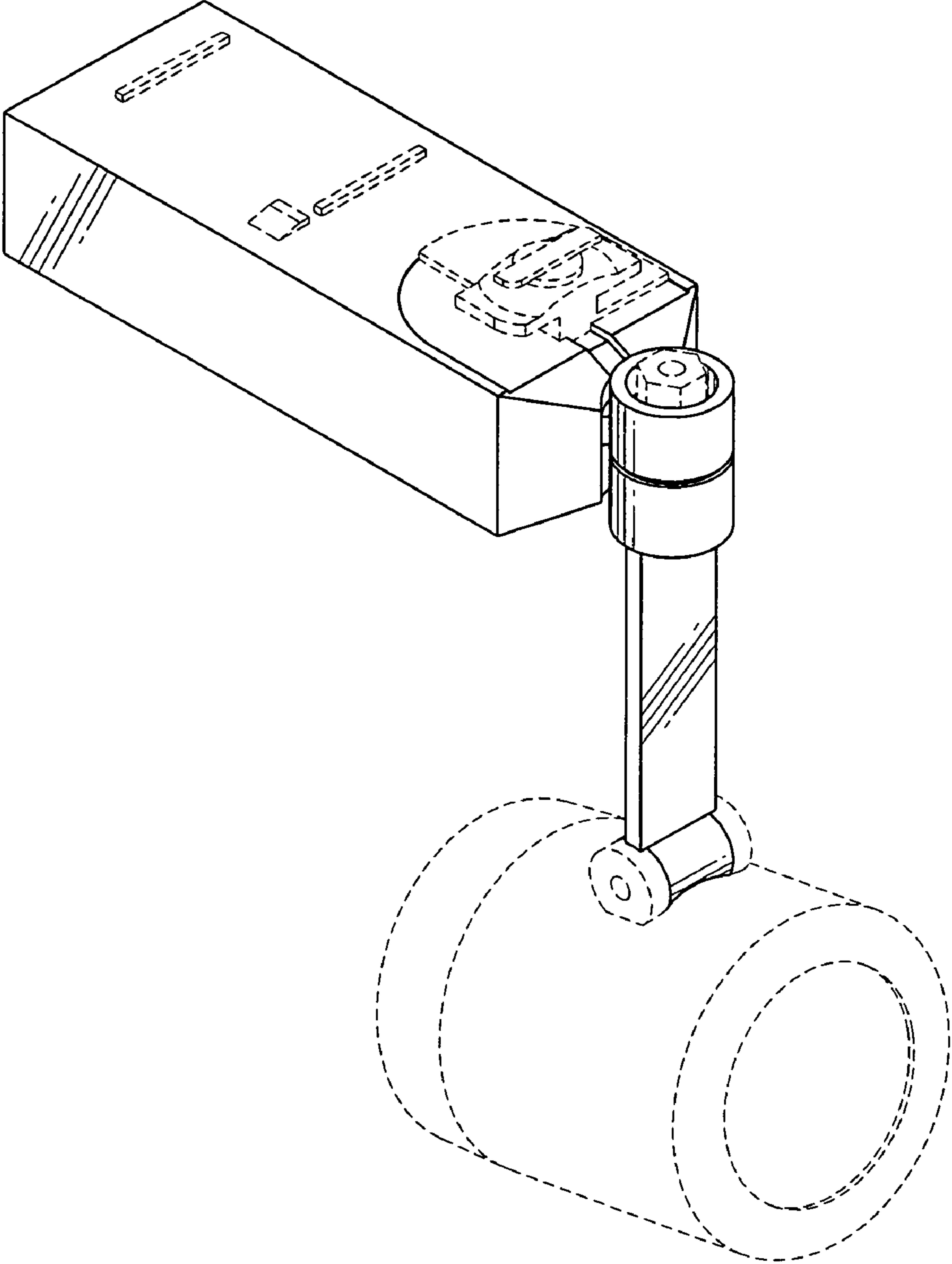


FIG. 1

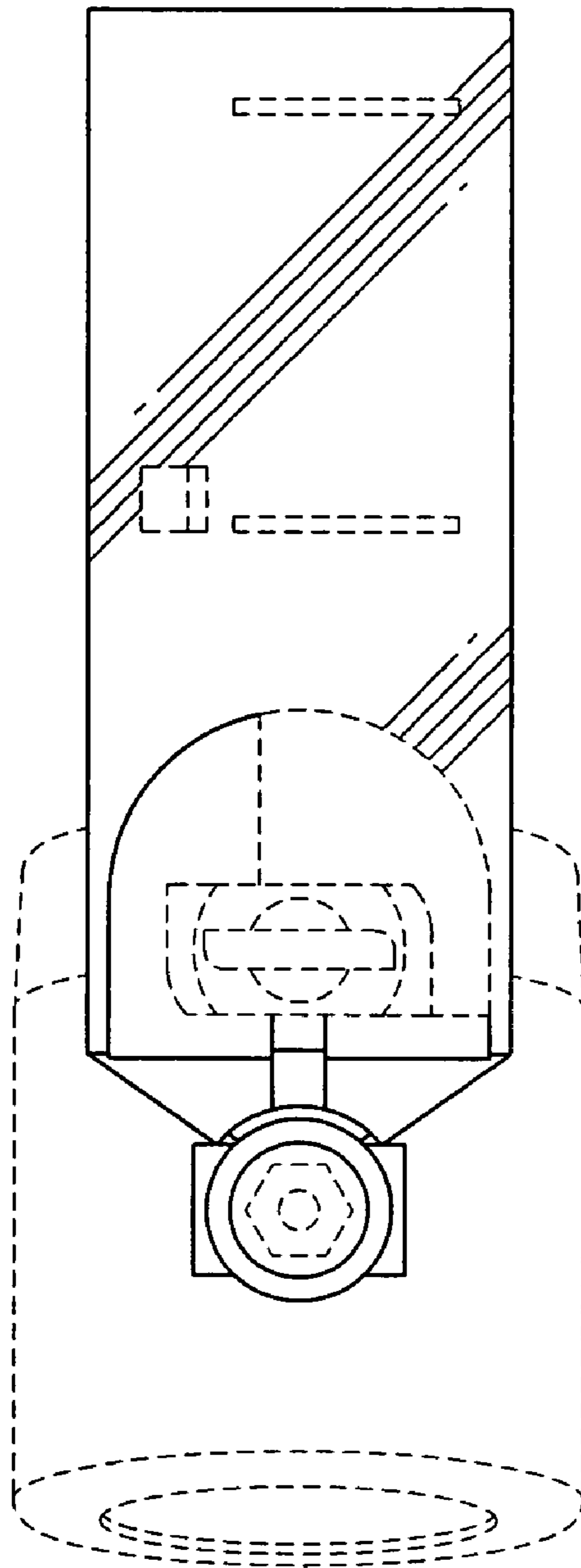


FIG. 2

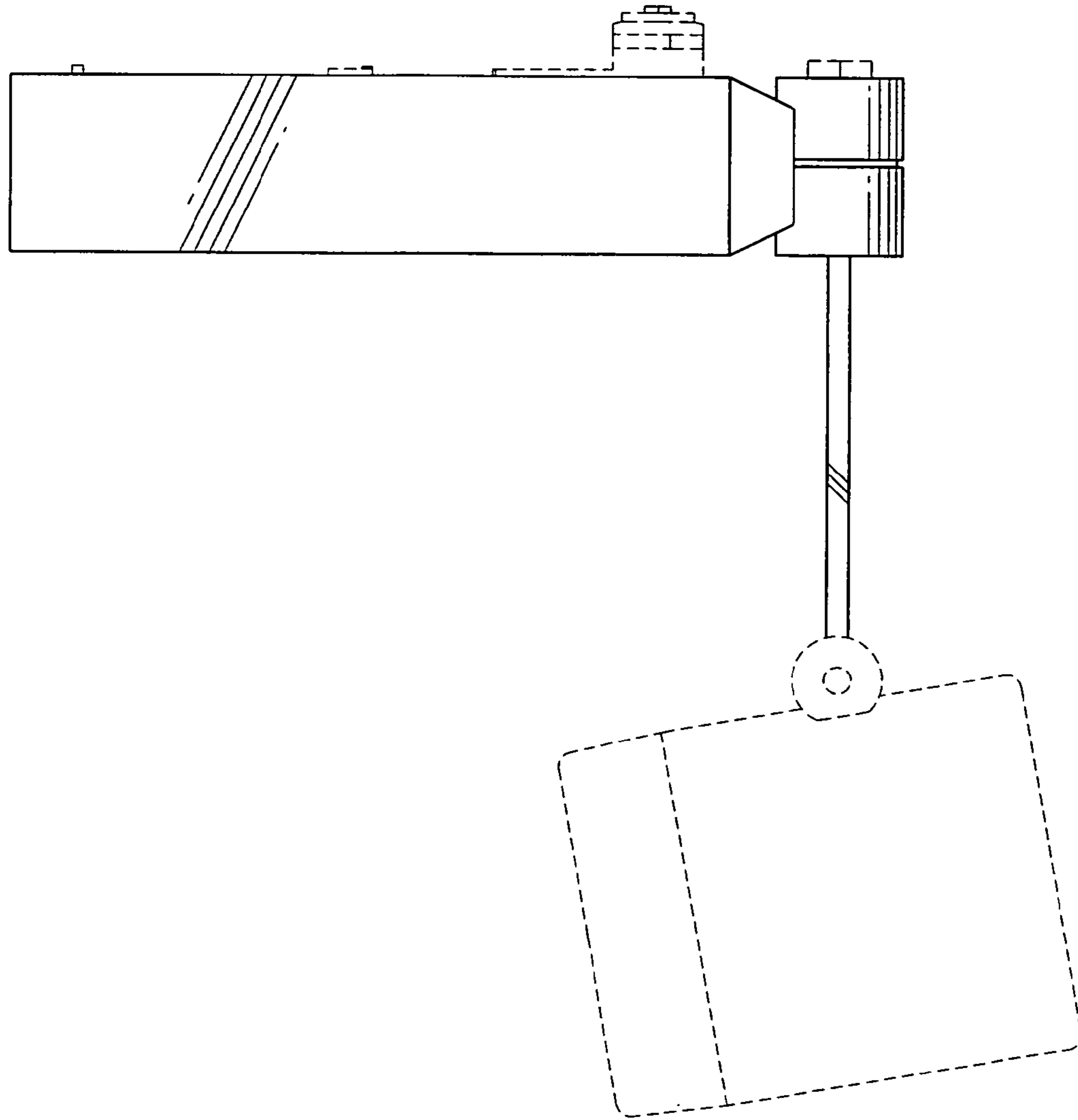


FIG. 3

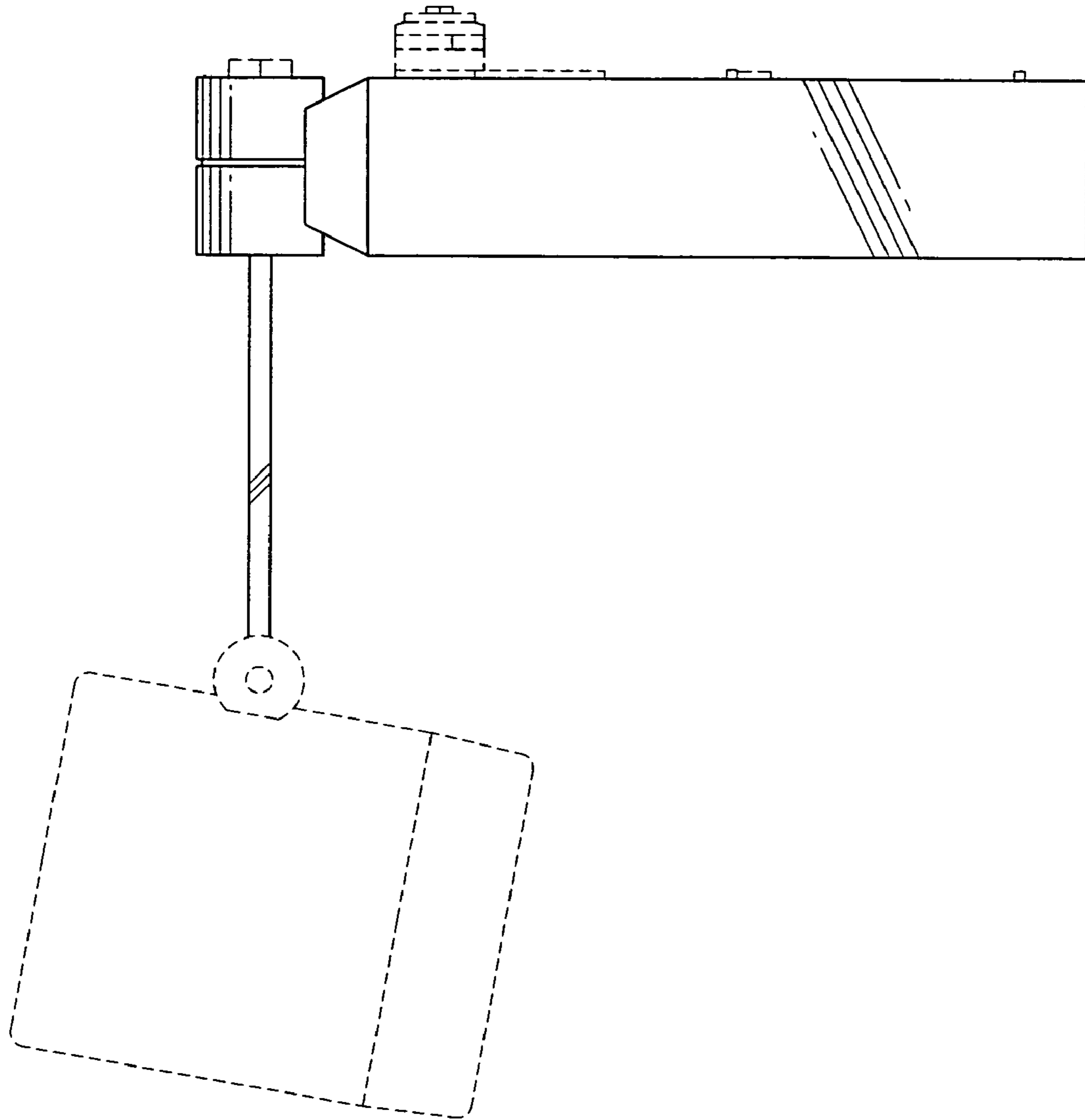


FIG. 4

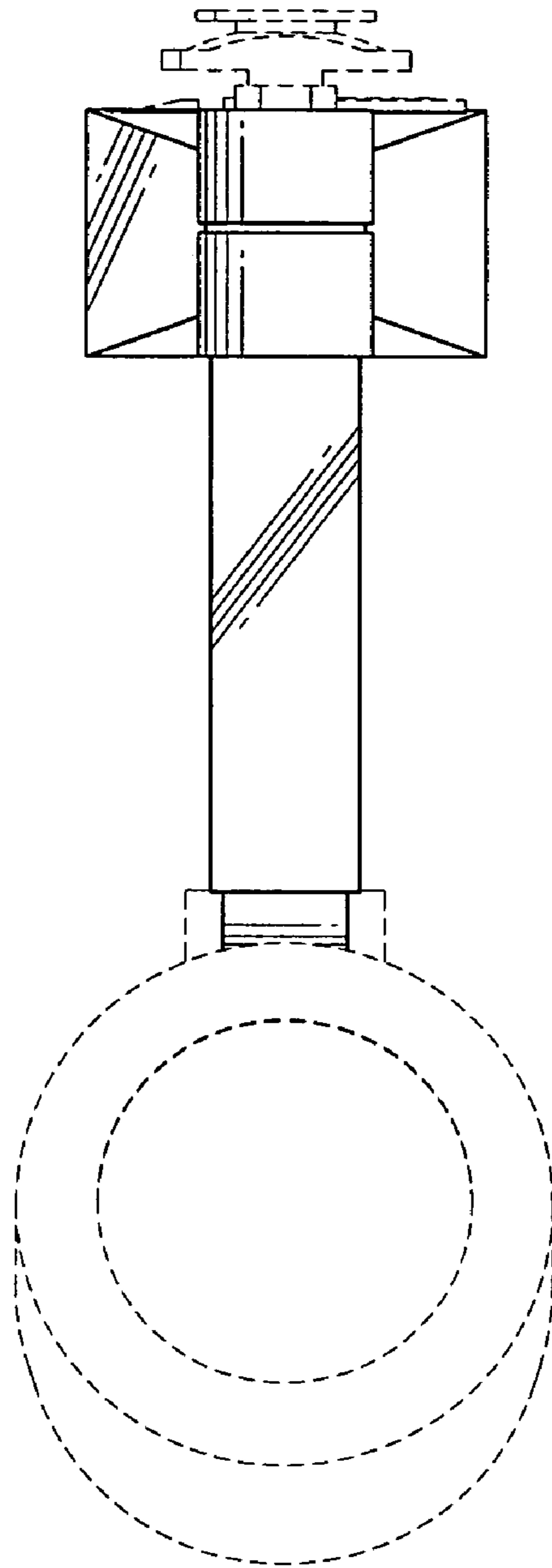


FIG. 5

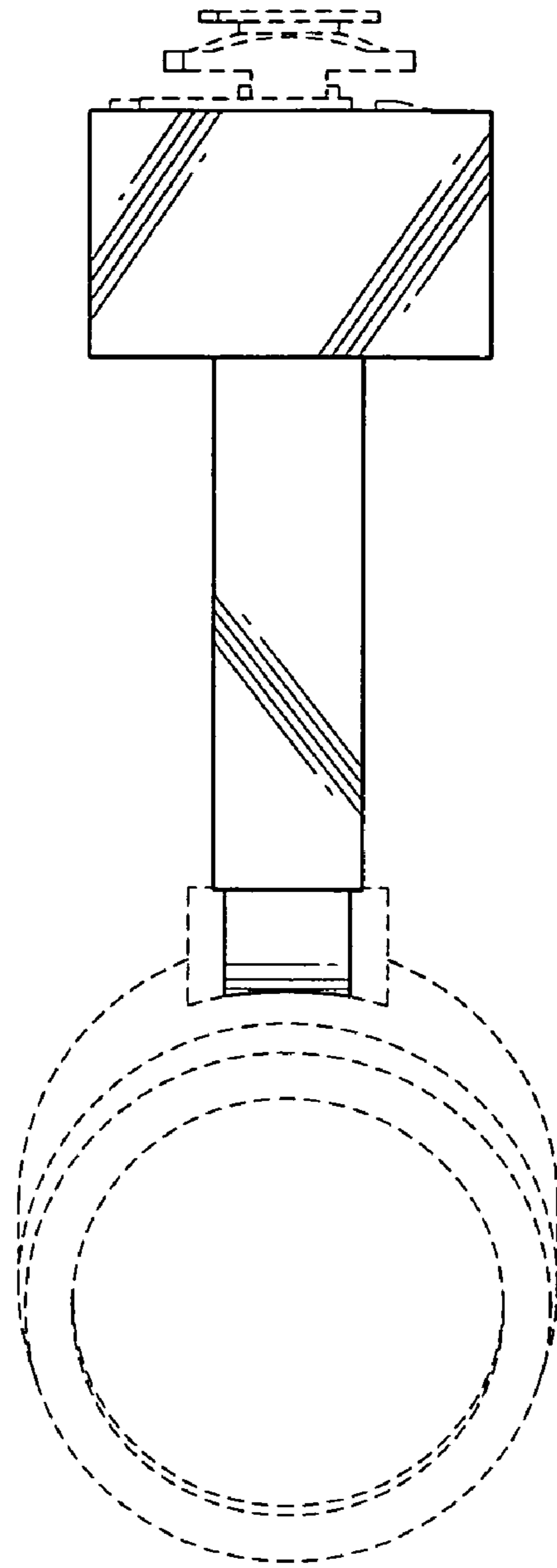


FIG. 6

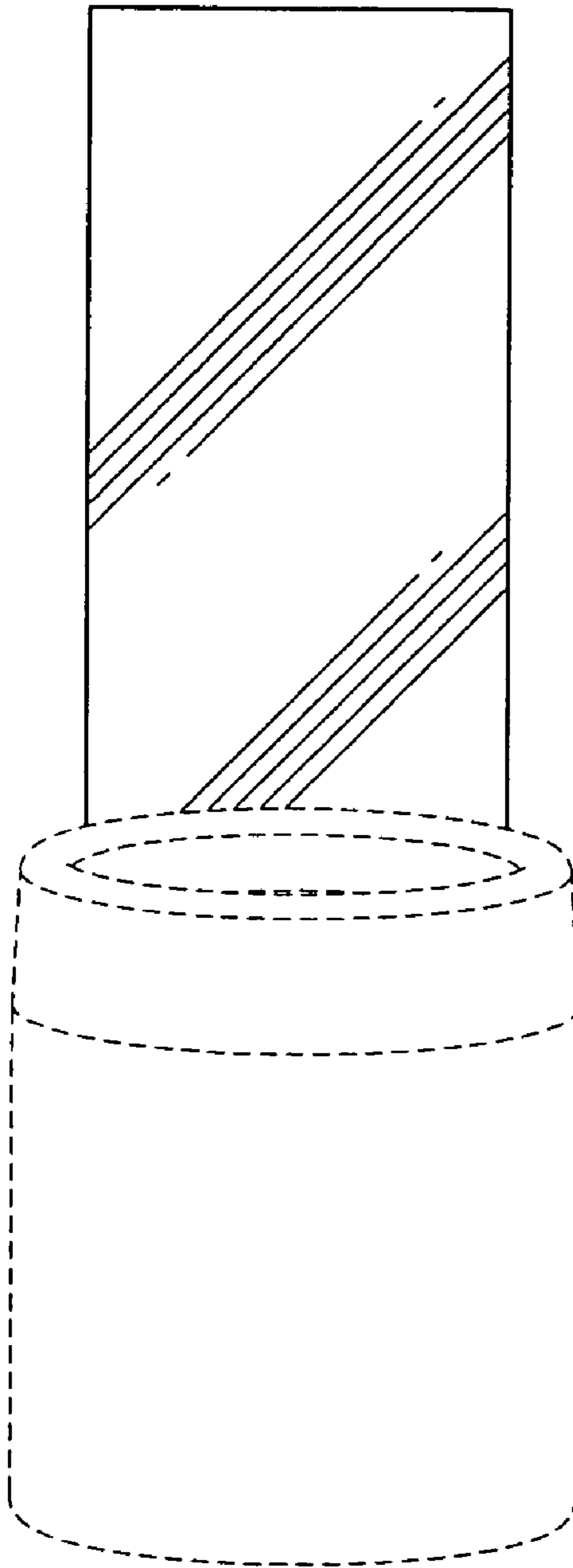


FIG. 7