



US00D552787S

(12) **United States Design Patent**
Mier-Langner et al.

(10) **Patent No.:** **US D552,787 S**

(45) **Date of Patent:** **** Oct. 9, 2007**

(54) **TRACK LIGHT FIXTURE**

6,220,721 B1 * 4/2001 Chan et al. 362/219
D472,671 S * 4/2003 Vegliante D26/155

(75) Inventors: **Alejandro Mier-Langner**, Providence, RI (US); **Julia Fishman**, Cranston, RI (US); **James E. Kuchar**, Fall River, MA (US)

* cited by examiner

Primary Examiner—Freda S. Nunn

Assistant Examiner—Kevin K. Rudzinski

(73) Assignee: **Genlyte Thomas Group, LLC**,
Louisville, KY (US)

(74) *Attorney, Agent, or Firm*—John F. Salazar; Middleton Reutlinger

(**) Term: **14 Years**

(57) **CLAIM**

(21) Appl. No.: **29/235,820**

The ornamental design for a track light fixture, as shown and described.

(22) Filed: **Aug. 5, 2005**

DESCRIPTION

(51) **LOC (8) Cl.** **26-99**

FIG. 1 is a perspective view of the track light fixture of the present invention;

(52) **U.S. Cl.** **D26/138**

FIG. 2 is a right side view of the design of the present invention;

(58) **Field of Classification Search** D26/63,
D26/85, 138, 155, 24, 60, 61, 65, 72, 76,
D26/79, 81, 83, 88, 113, 142, 152; 362/404,
362/147, 418, 217, 219, 648, 659; 248/342;
439/110, 121; D13/155

FIG. 3 is a rear view of the design of the present invention;

FIG. 4 is a front view of the design of the present invention;

See application file for complete search history.

FIG. 5 is a top view of the design of the present invention;

FIG. 6 is a bottom view of the design of the present invention; and,

(56) **References Cited**

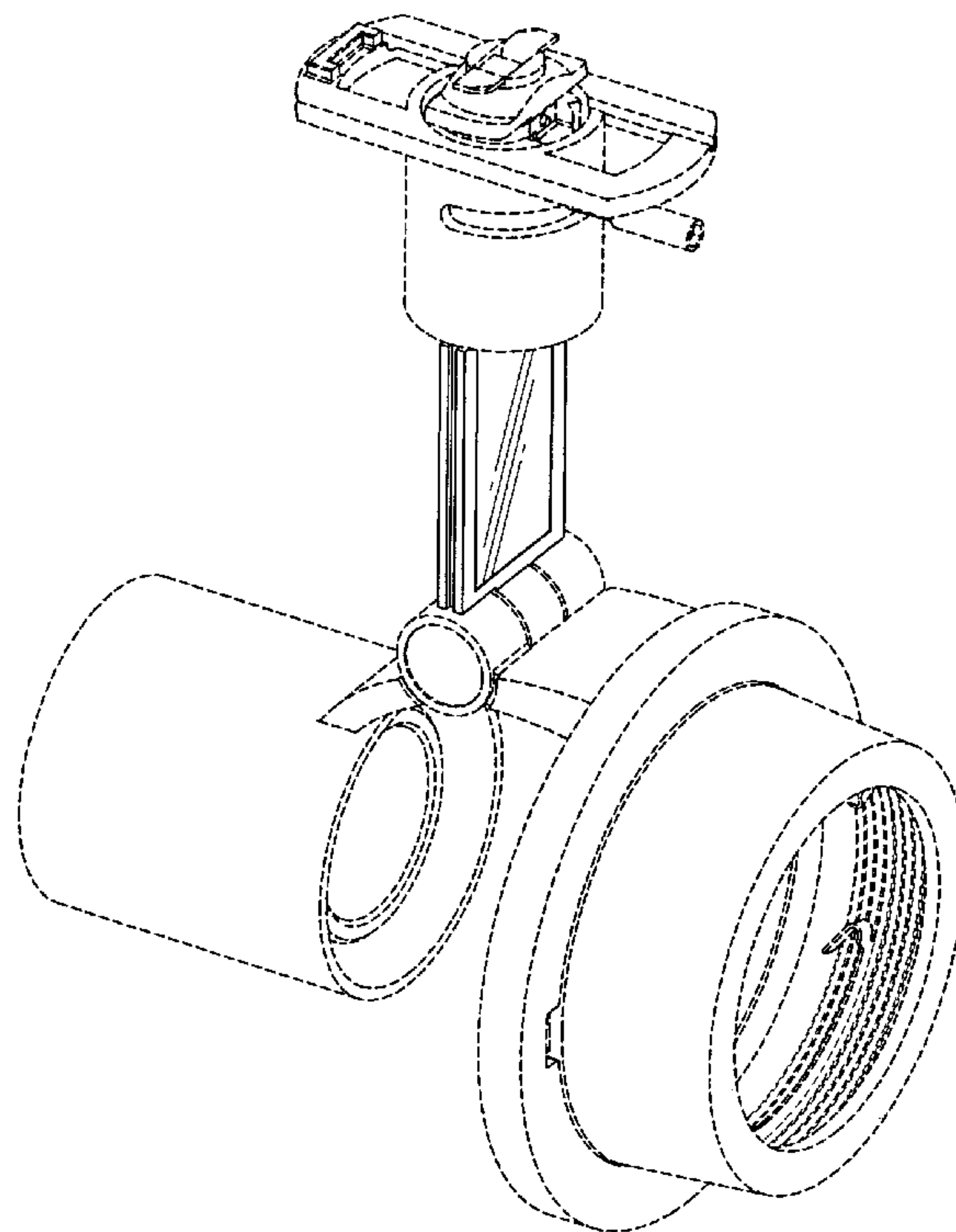
FIG. 7 is a left side view of the design of the present invention.

U.S. PATENT DOCUMENTS

4,609,979	A *	9/1986	Kristofek	362/427
D320,866	S *	10/1991	Stringer et al.	D26/138
D328,154	S *	7/1992	Wereley	D26/140
D354,148	S *	1/1995	Roos	D26/63
5,593,224	A *	1/1997	Kunkel et al.	362/287
D405,554	S *	2/1999	Klaus	D26/63
D437,953	S *	2/2001	Donato	D26/63

The broken lines showing environmental structure are for illustrative purposes only and forms no part of the claimed design.

1 Claim, 7 Drawing Sheets



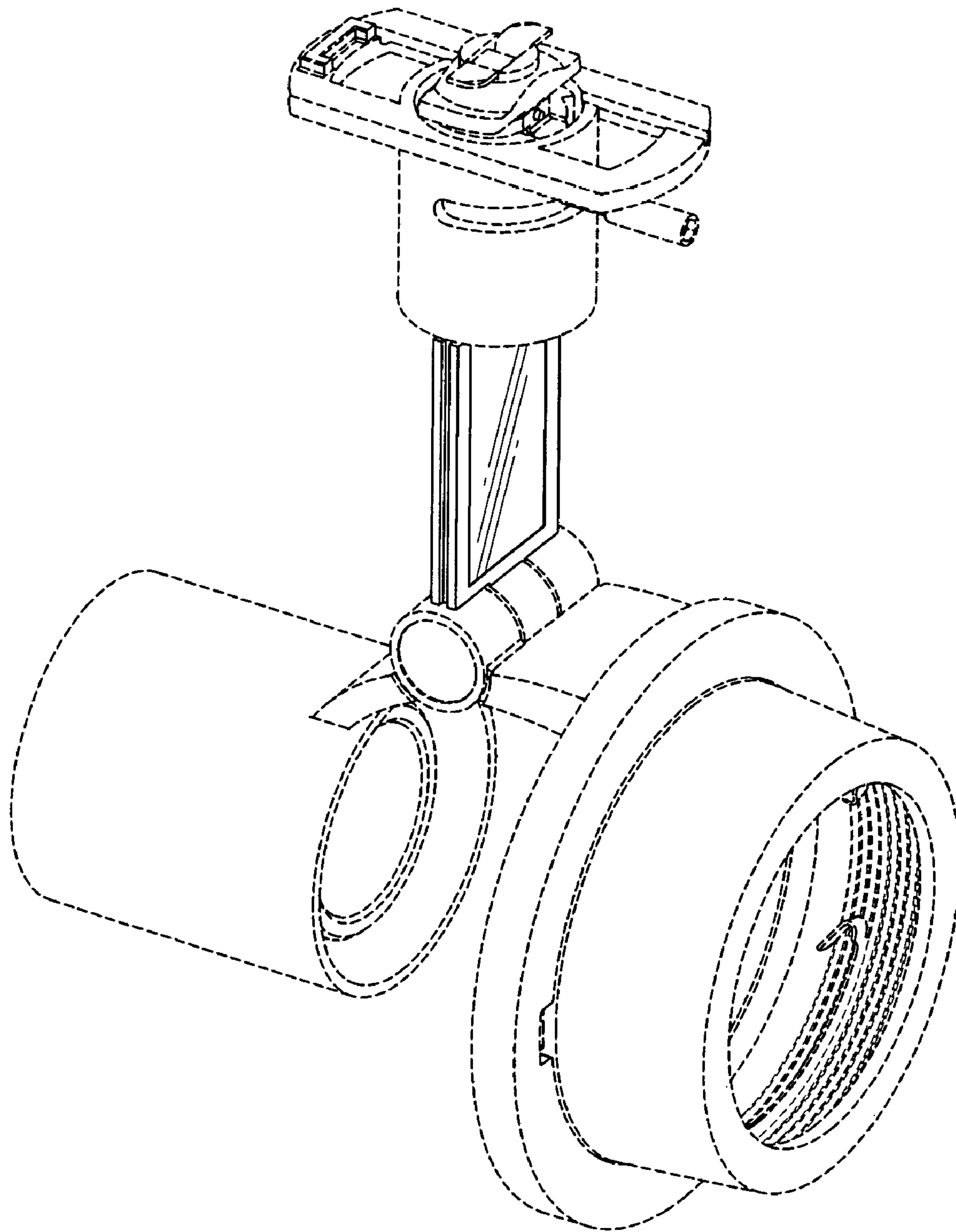


FIG. 1

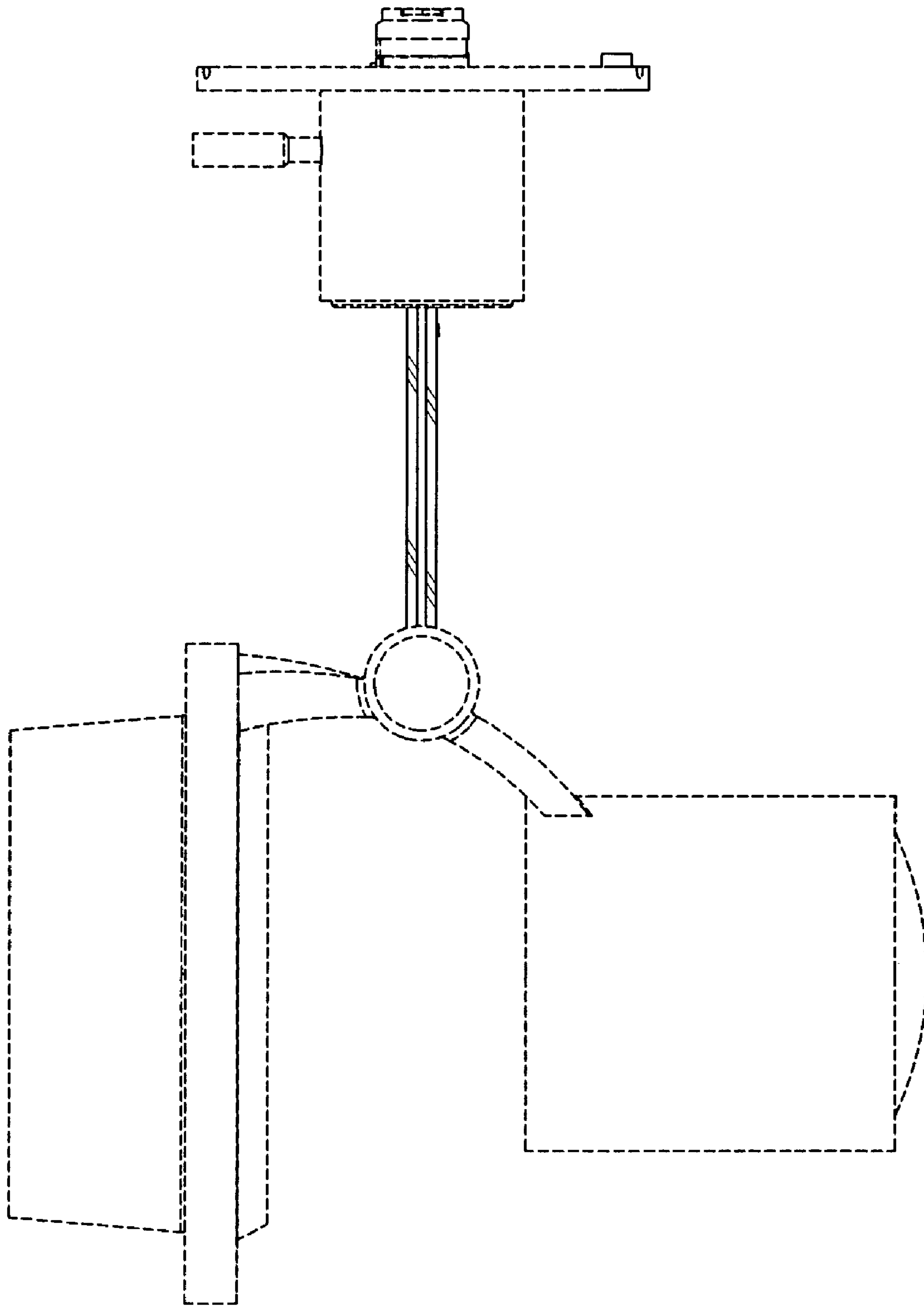


FIG. 2

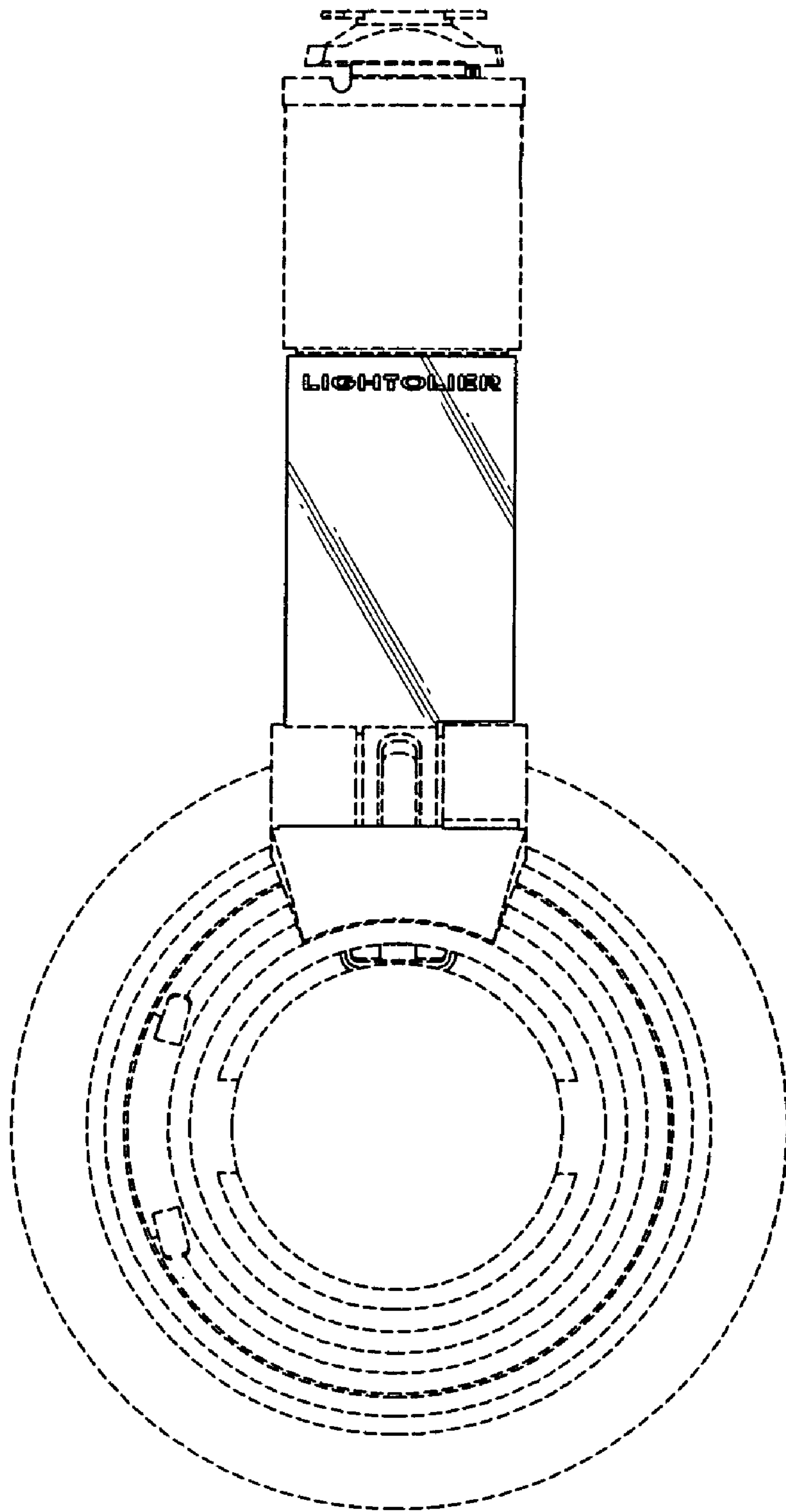


FIG. 3

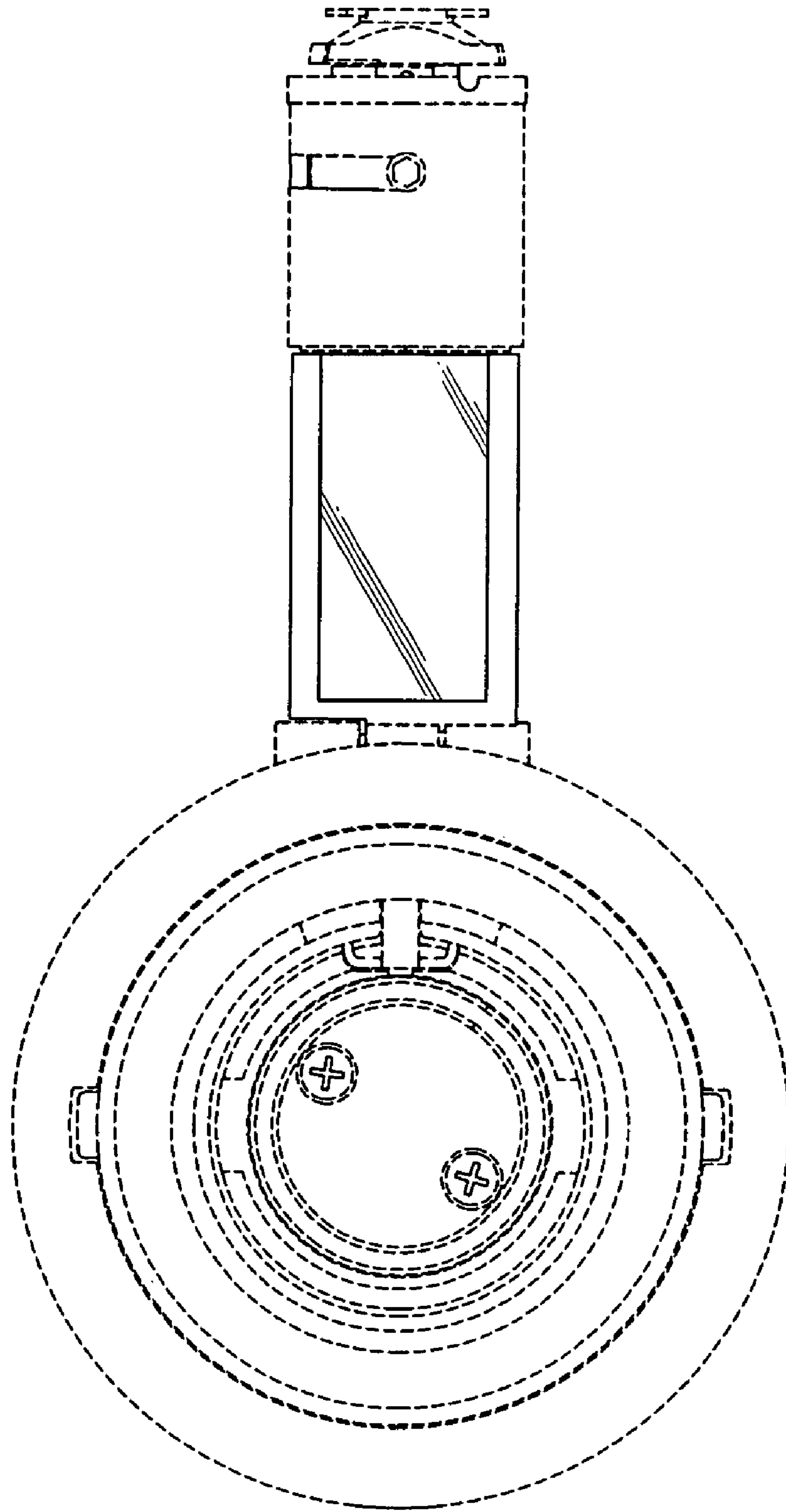


FIG. 4

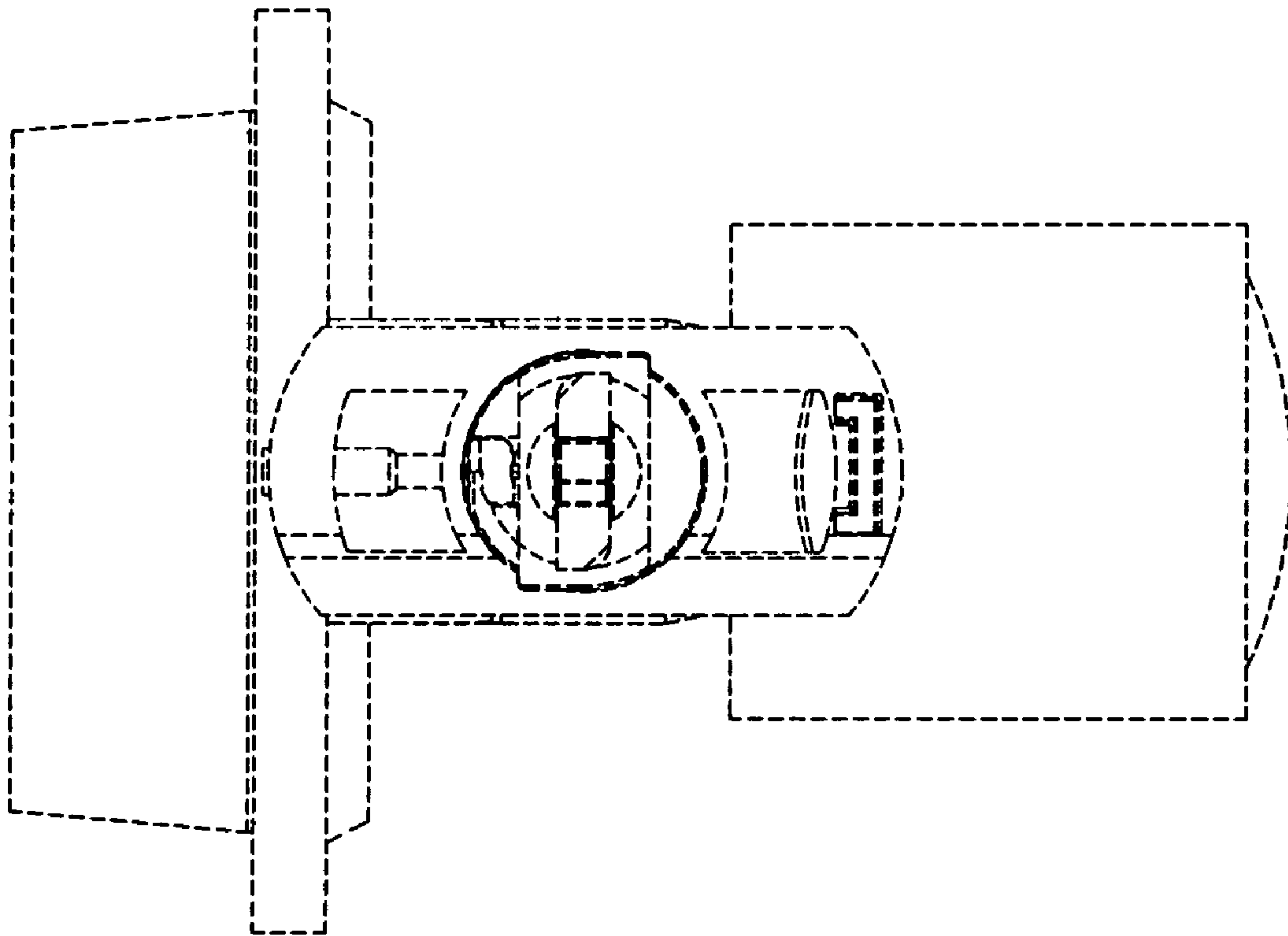


FIG. 5

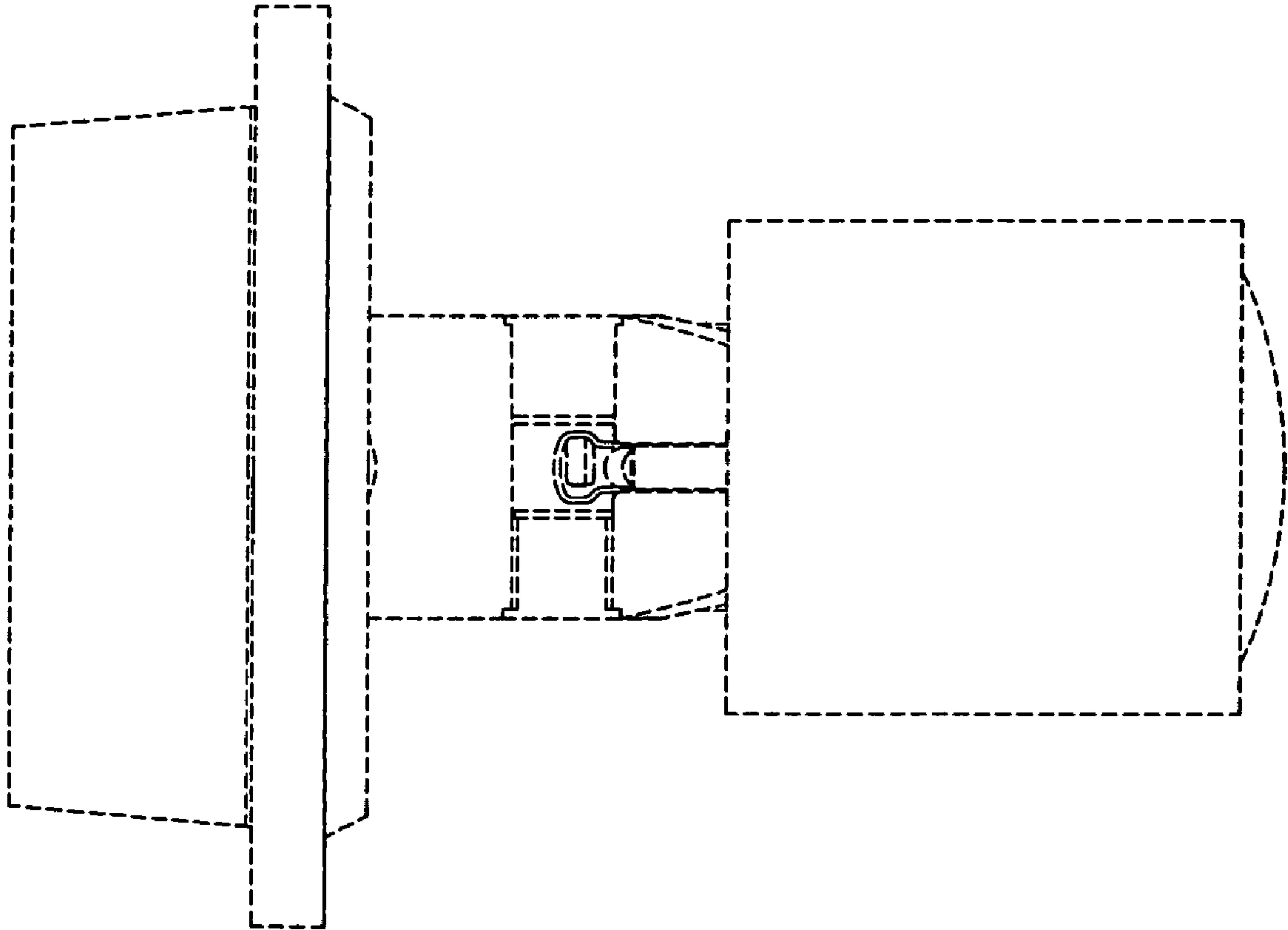


FIG. 6

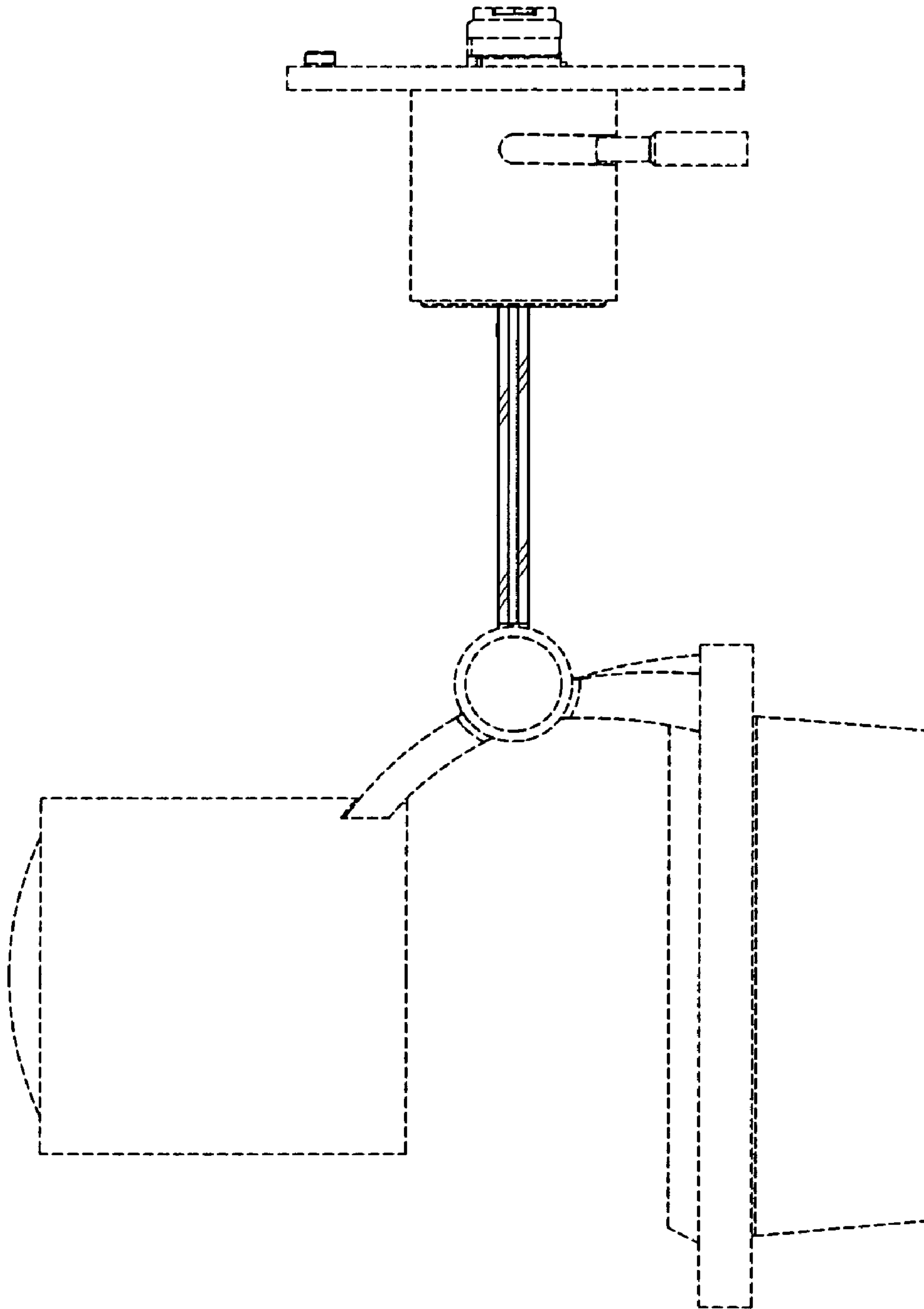


FIG. 7