



US00D552786S

(12) **United States Design Patent**
Flores et al.

(10) **Patent No.:** **US D552,786 S**
(45) **Date of Patent:** **** Oct. 9, 2007**

(54) **PORTION OF LIGHT FIXTURE**

(75) Inventors: **Miguel Flores**, Riverside, CA (US);
Robert De'Armond, Temecula, CA (US)

(73) Assignee: **Minka Lighting, Inc.**, Corona, CA (US)

(**) Term: **14 Years**

(21) Appl. No.: **29/251,146**

(22) Filed: **Jan. 4, 2006**

(51) **LOC (8) Cl.** **26-99**

(52) **U.S. Cl.** **D26/128**

(58) **Field of Classification Search** D26/72,
D26/87, 81, 109, 118, 80, 75, 130, 108, 113,
D26/85, 86, 134, 133, 131, 135, 132, 129,
D26/128; 248/344; 362/345; D23/377
See application file for complete search history.

(56) **References Cited**

U.S. PATENT DOCUMENTS

D62,585 S *	6/1923	Pfleager	D26/81
D84,589 S *	7/1931	Ohm	D26/81
D365,887 S *	1/1996	Pickett	D26/87
D367,725 S *	3/1996	Segill et al.	D26/87
D434,521 S *	11/2000	Milicia	D26/131
D446,597 S *	8/2001	Orozco	D26/87
D447,268 S *	8/2001	Hsu	D26/86
D457,678 S *	5/2002	Yang	D26/80
D464,763 S *	10/2002	Hsu	D26/108
D465,595 S *	11/2002	Hoernig	D26/80
D465,597 S *	11/2002	Hsu	D26/87
D503,488 S *	3/2005	Tai	D26/59
D511,019 S *	10/2005	Nicholas	D26/81

OTHER PUBLICATIONS

U.S. Appl. No. 29/251,105, Flores and De'Armond.
U.S. Appl. No. 29/251,137, Flores and De'Armond.

U.S. Appl. No. 29/251,100, Flores and De'Armond.
U.S. Appl. No. 29/251,125, Flores and De'Armond.
Minka-Lavery 2005 catalog; Jan. 2005; pp. 3-13; Minka Lighting, Inc.; U.S.A.
Kenroy International Internet Catalog; Coventry 2lt. Sconce; Model #90182SUN; printed from www.lightinguniverse.com on Feb. 11, 2006.
Hampton Bay Internet Catalog; Model #25066; printed from www.homedepot.com on Feb. 11, 2006.
Hampton Bay Internet Catalog; Model #22021-800VA; printed from www.hoemdepot.com on Feb. 11, 2006.

* cited by examiner

Primary Examiner—Freda S. Nunn
Assistant Examiner—Kevin K. Rudzinski
(74) *Attorney, Agent, or Firm*—Baker & McKenzie LLP

(57) **CLAIM**

The ornamental design for a portion of light fixture, as shown and described.

DESCRIPTION

FIG. 1 is a top perspective view of a portion of light fixture in accordance with our design;

FIG. 2 is a top plan view of the portion of light fixture in accordance with our design;

FIG. 3 is a bottom plan view of the portion of light fixture in accordance with our design;

FIG. 4 is a front elevation view of the portion of light fixture in accordance with our design; and,

FIG. 5 is a side elevation view of the portion of light fixture in accordance with our design, the opposite side being a mirror image.

The broken lines showing environmental structure are for illustrative purposes only and form no part of the claimed invention.

1 Claim, 5 Drawing Sheets



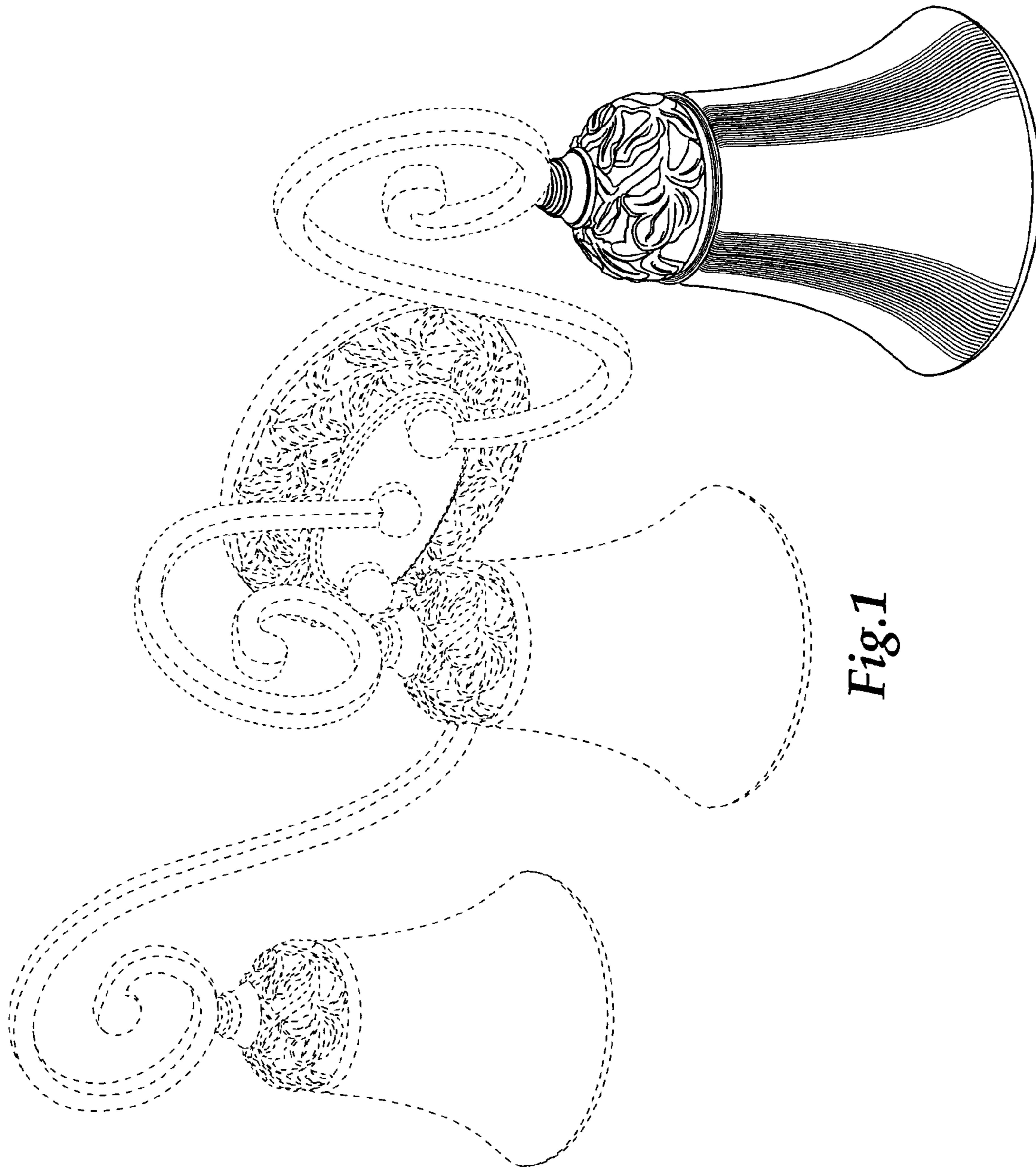


Fig. 1

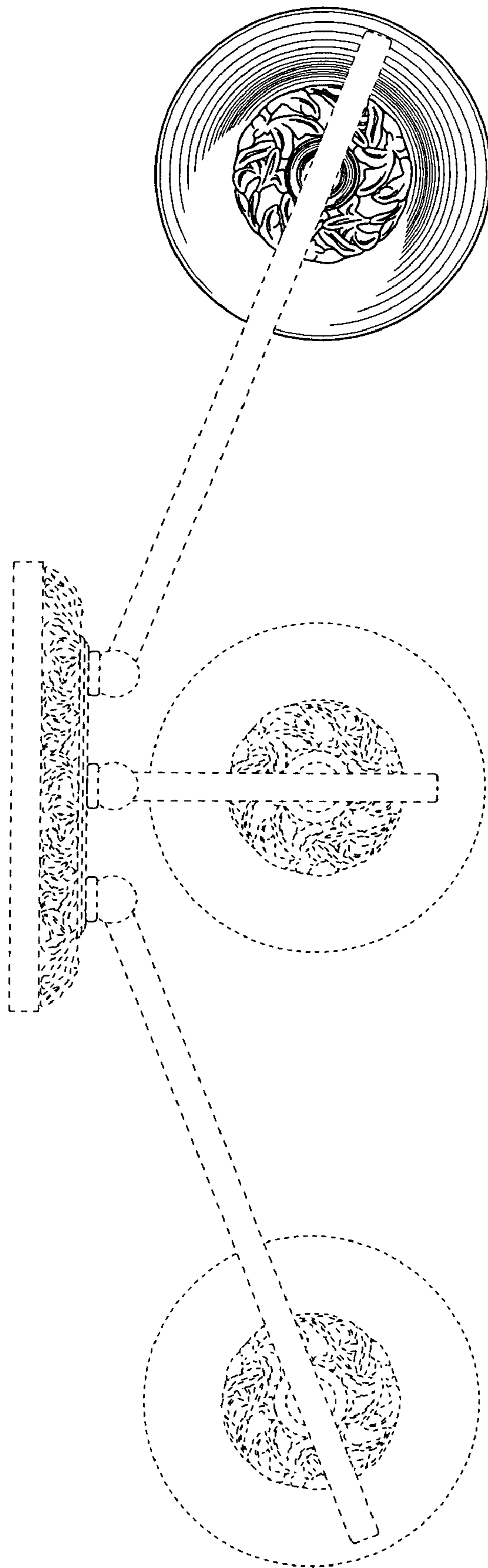


Fig.2

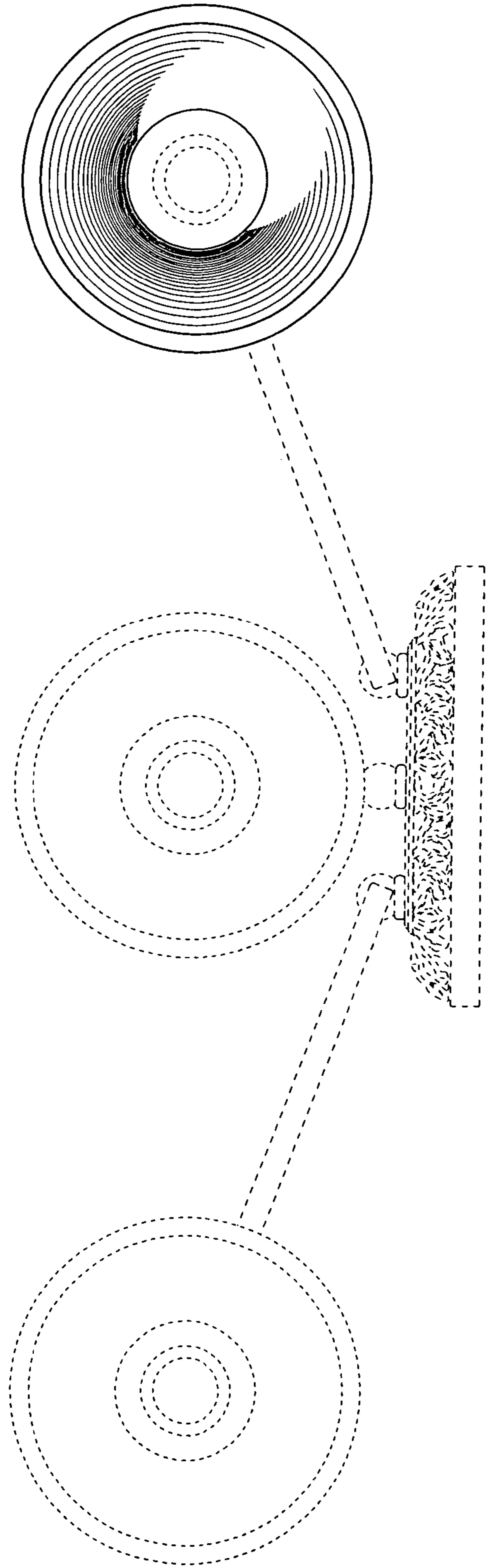


Fig.3

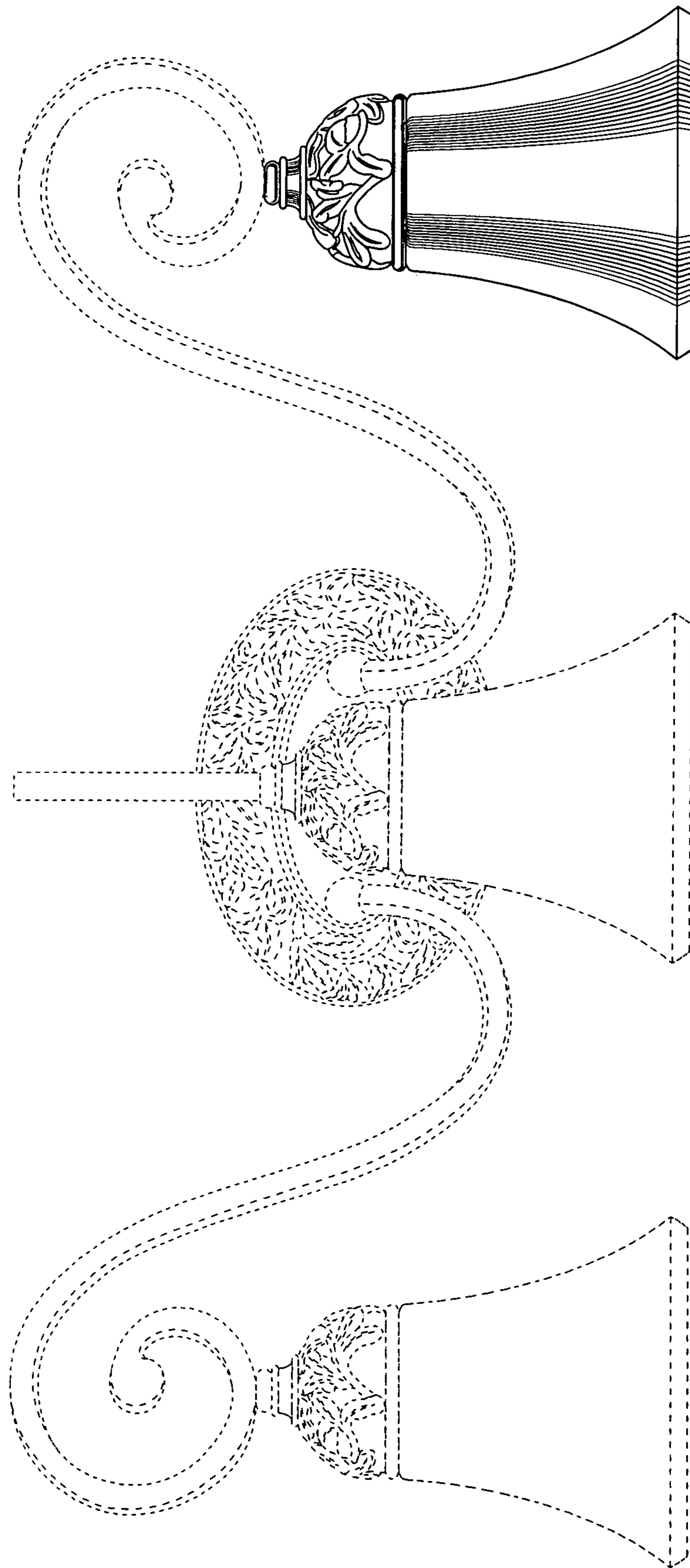


Fig.4

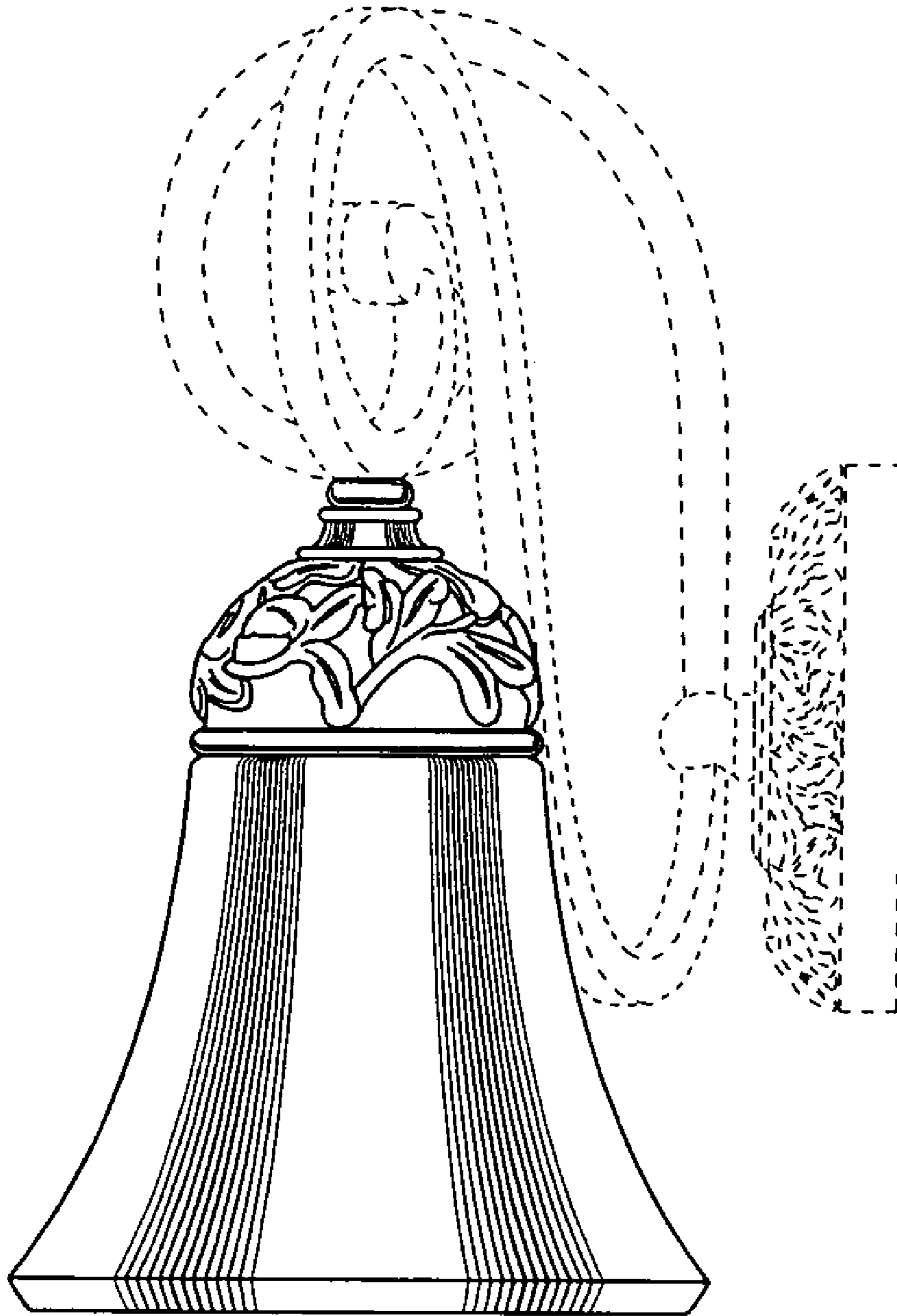


Fig.5