



US00D552783S

(12) **United States Design Patent**
Brunner

(10) **Patent No.:** **US D552,783 S**

(45) **Date of Patent:** **** Oct. 9, 2007**

(54) **LIGHT**

D518,914 S * 4/2006 Brunner D26/142

(75) Inventor: **Richard Brunner**, Louisville, KY (US)

OTHER PUBLICATIONS

(73) Assignee: **Volume International, Inc.**, Houston, TX (US)

Sconce #20-6551-20 (item E) on p. 87 of the Hubbardton Forge 2002 Catalog.*

(**) Term: **14 Years**

* cited by examiner

(21) Appl. No.: **29/232,912**

Primary Examiner—Clare E Heflin

(22) Filed: **Jun. 24, 2005**

(74) *Attorney, Agent, or Firm*—Gordon G. Waggett, P.C.

(51) **LOC (8) Cl.** **26-03**

(52) **U.S. Cl.** **D26/85**

(58) **Field of Classification Search** D26/72,
D26/85, 87, 92, 142; 362/147, 382, 432
See application file for complete search history.

(57) **CLAIM**

The ornamental design for a light, as shown and described.

(56) **References Cited**

DESCRIPTION

U.S. PATENT DOCUMENTS

D77,408 S *	1/1929	Hall, Jr.	D26/85
D80,735 S *	3/1930	Lazerson	D26/85
D135,107 S *	2/1943	Szalla	D26/85
D197,530 S *	2/1964	Jaffe, Jr. et al.	D26/85
D248,184 S *	6/1978	Roberts	D26/85
D309,792 S *	8/1990	Mangiarotti	D26/85
D324,742 S *	3/1992	von Kluck	D26/85
D379,549 S *	5/1997	Vargas, Jr.	D26/128
D455,223 S *	4/2002	Crosby	D26/85
D456,548 S *	4/2002	Lee	D26/72

FIG. 1 is a perspective view of the light of the present invention.

FIG. 2 is a front elevation view of the light of the present invention.

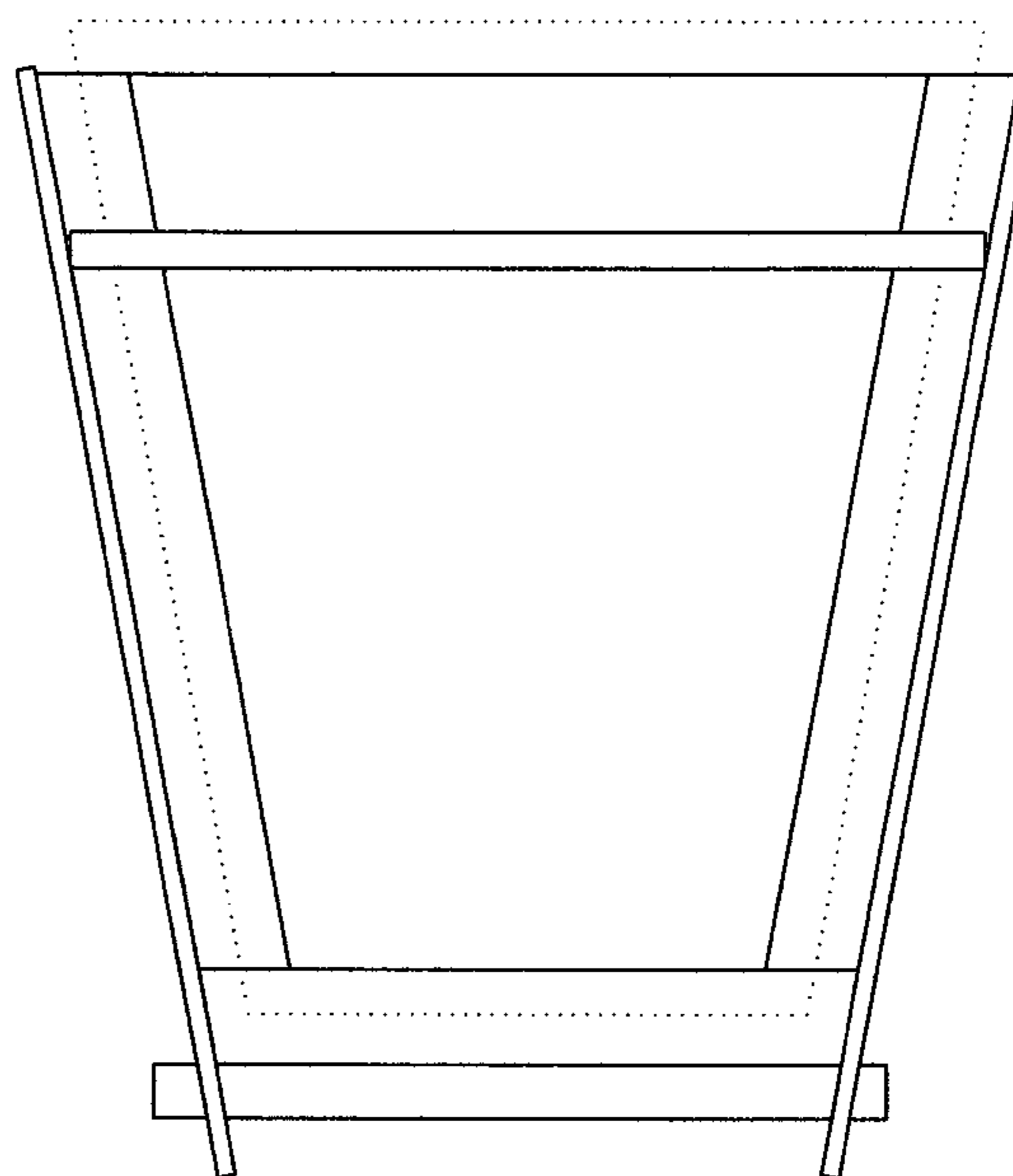
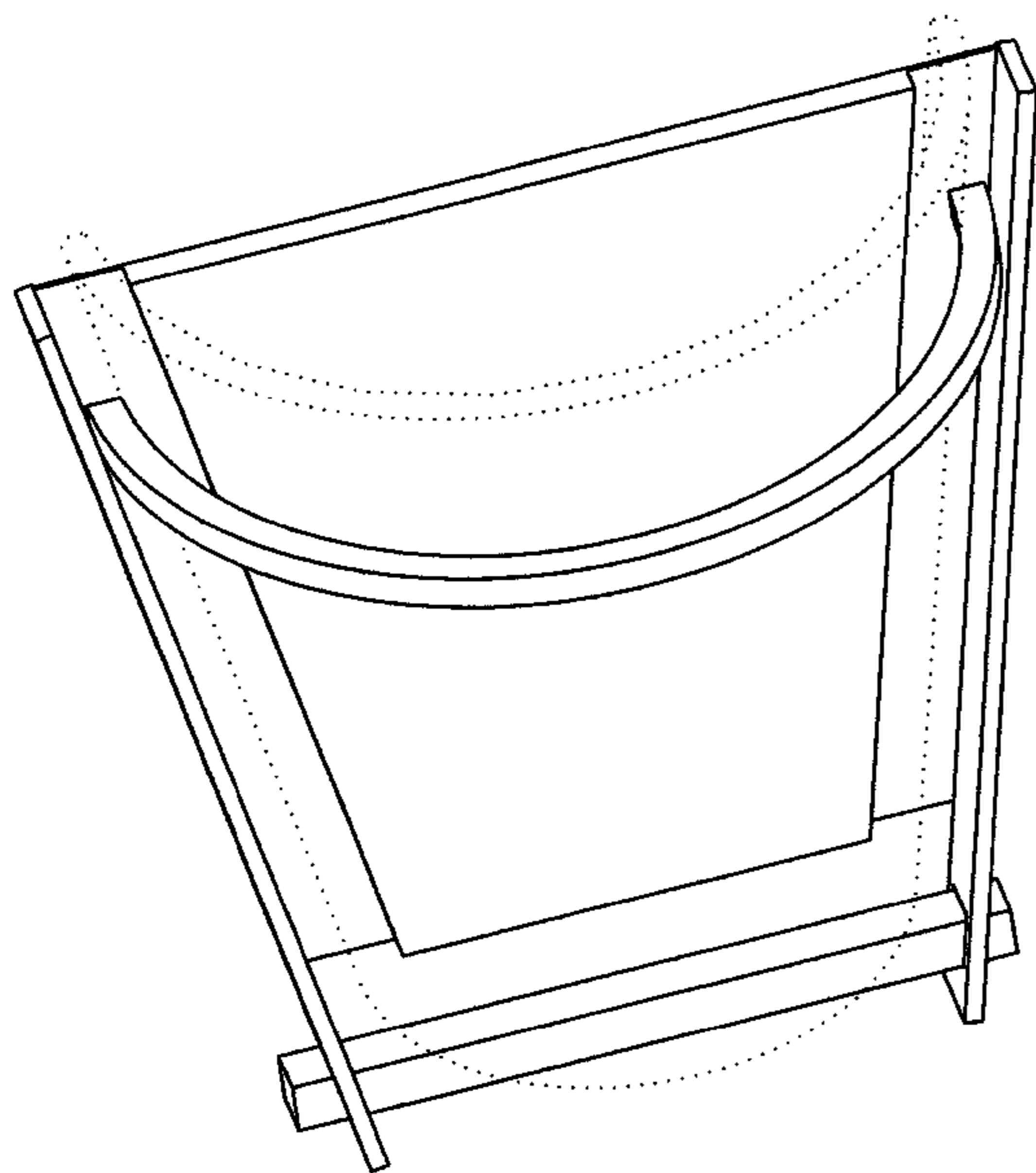
FIG. 3 is a right side elevation view of the light of the present invention; left side view is a mirror image.

FIG. 4 is a top plan view of the light of the present invention; and,

FIG. 5 is a bottom plan view of the light of the present invention.

The broken lines shown on the drawings are for illustrative purposes only and form no part of the claimed design.

1 Claim, 5 Drawing Sheets



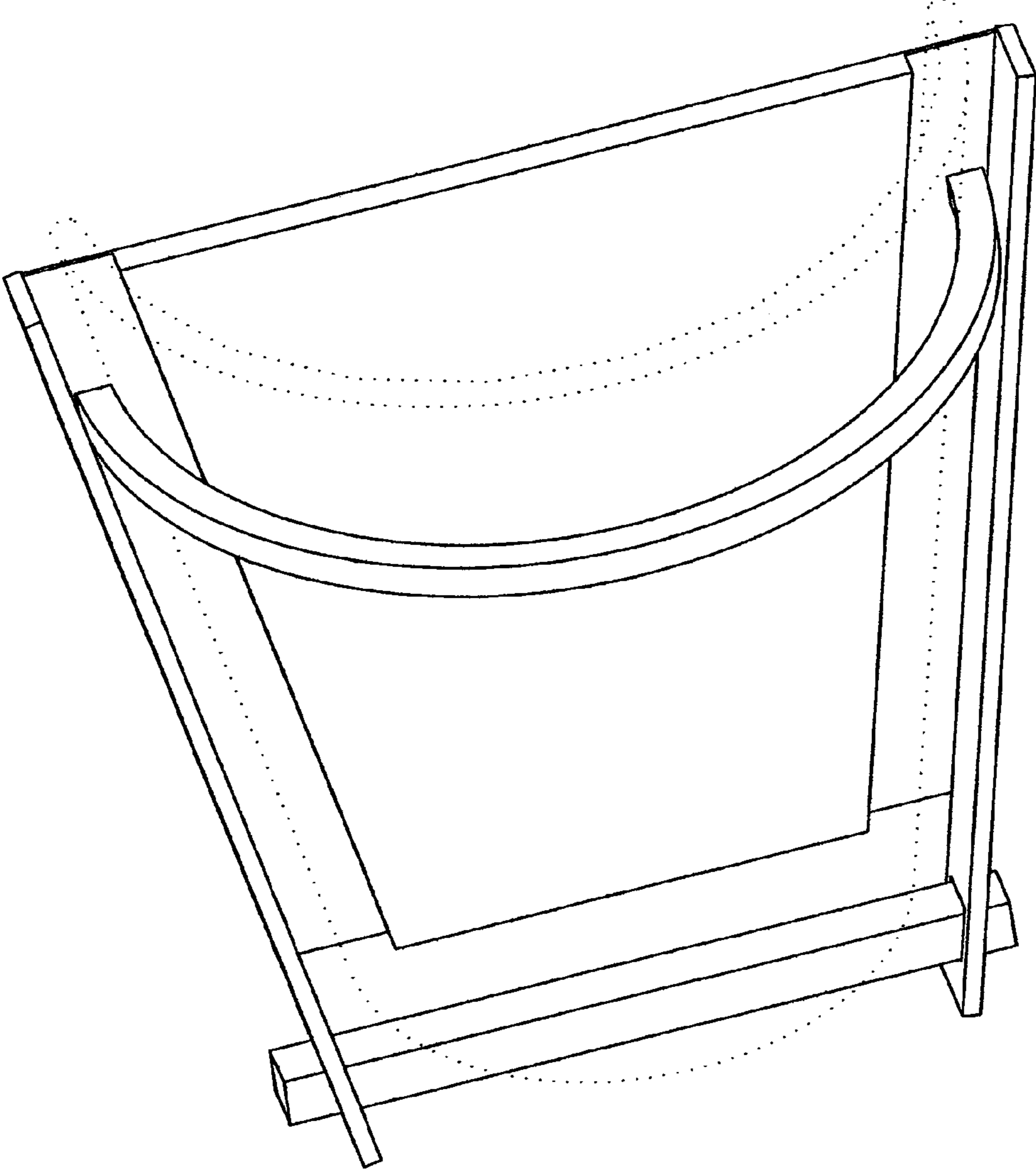


Fig. 1

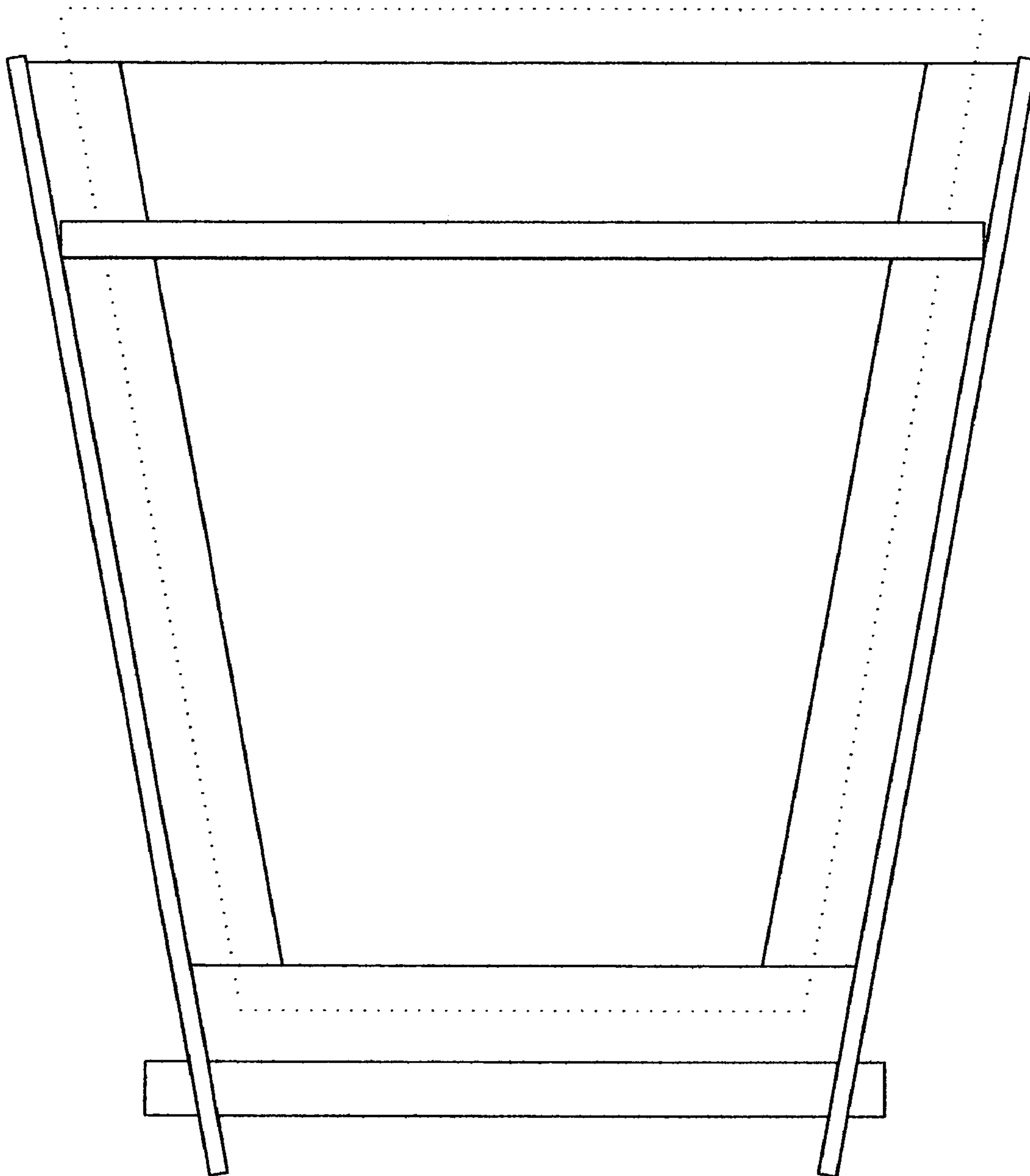


Fig. 2

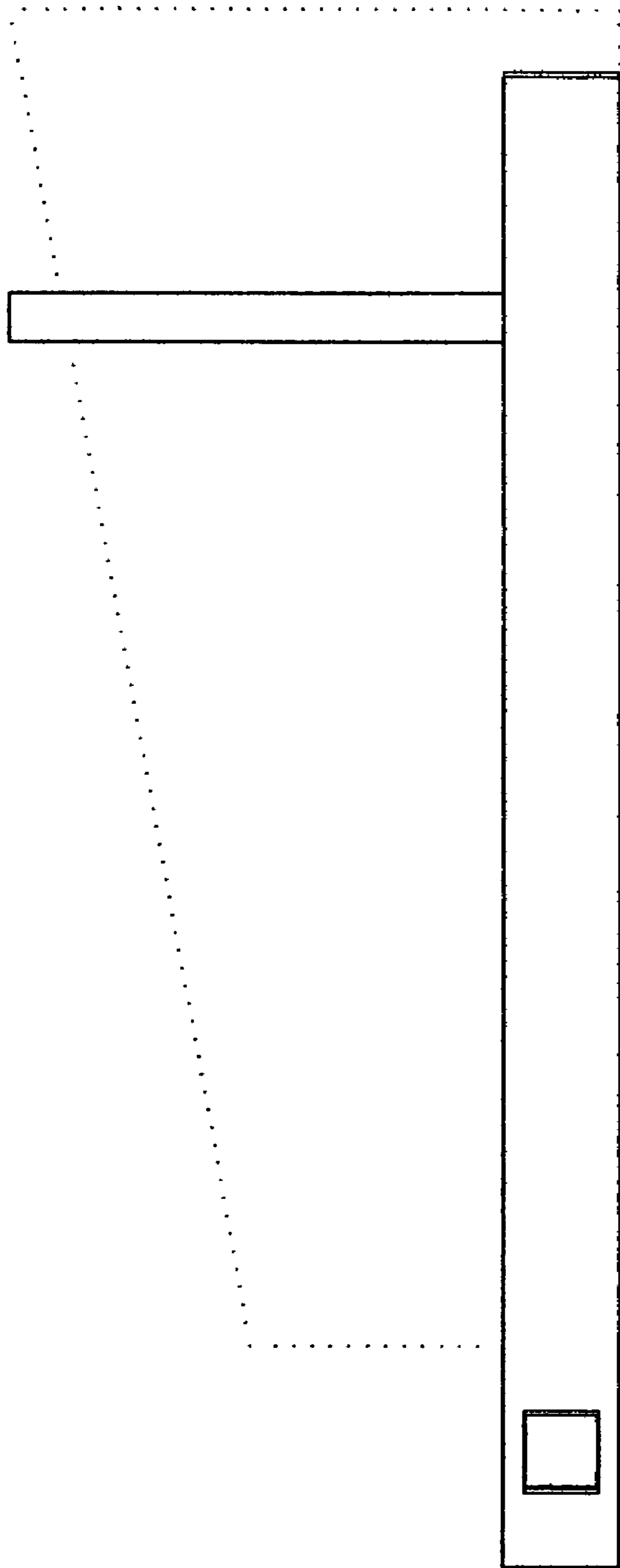


Fig. 3

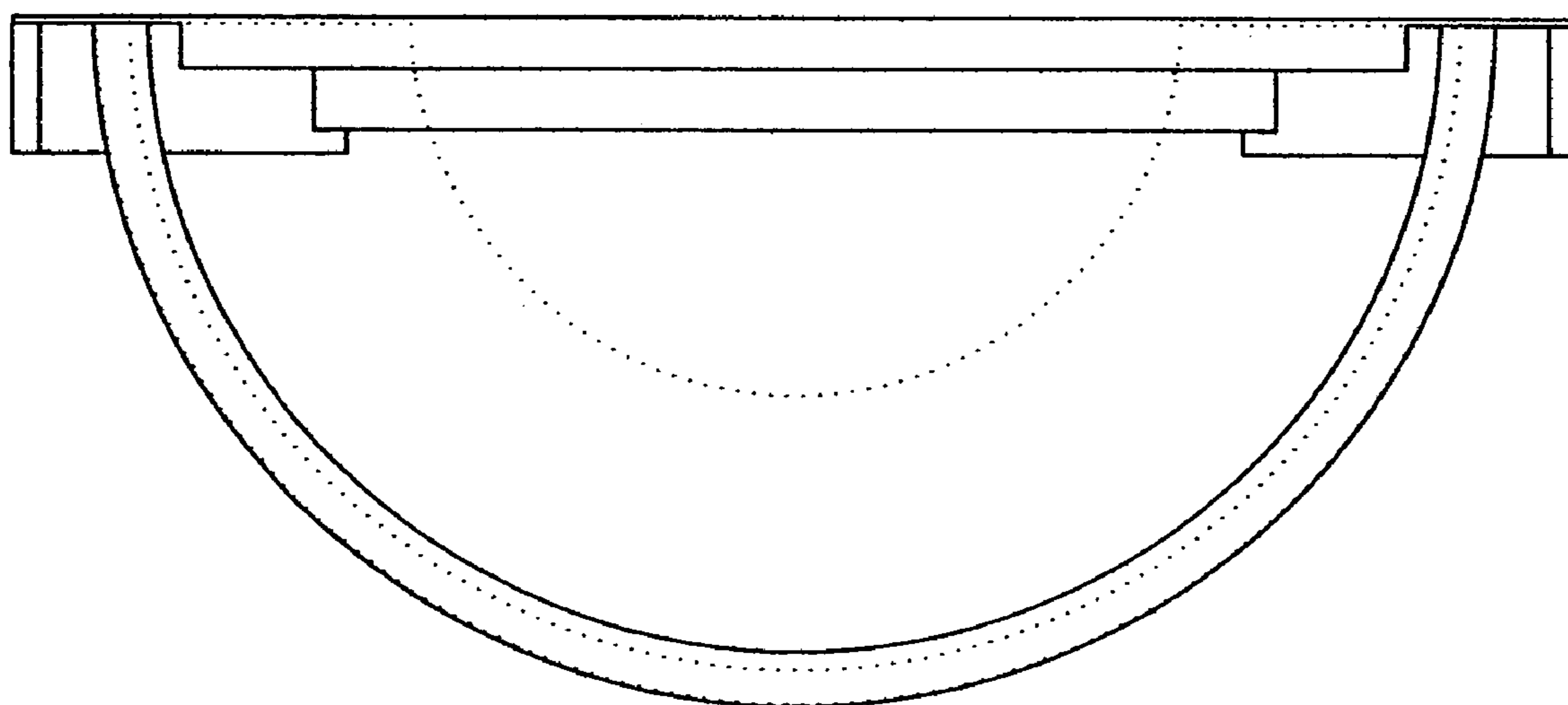


Fig. 4

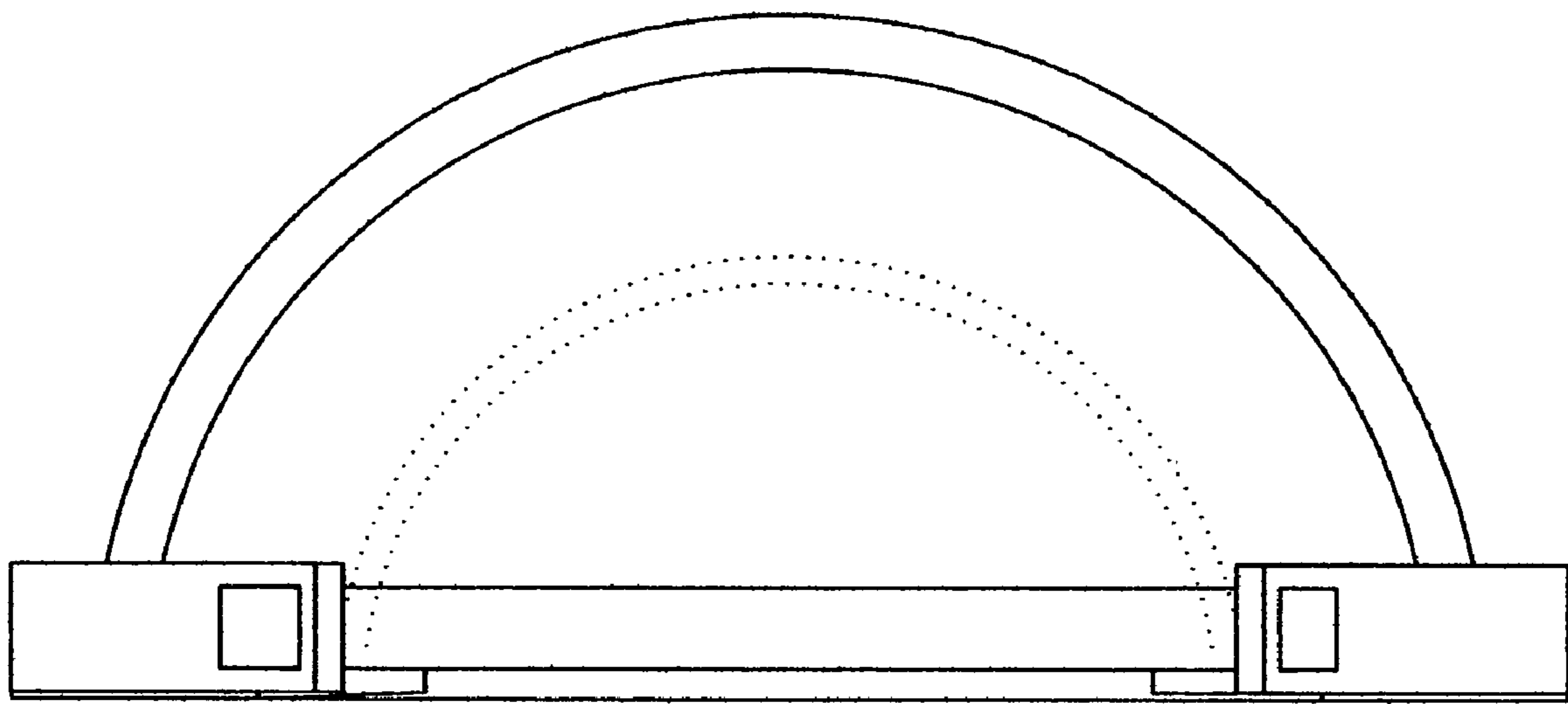


Fig. 5