

US00D552780S

(12) **United States Design Patent**
Starck

(10) **Patent No.:** **US D552,780 S**

(45) **Date of Patent:** **** Oct. 9, 2007**

(54) **LIGHTING FIXTURE**

D394,723 S * 5/1998 Mier-Langner et al. D26/63
D475,478 S * 6/2003 Ruston D26/63

(75) Inventor: **Philippe Starck**, Paris (FR)

(73) Assignee: **Flos S.p.A.** (IT)

(**) Term: **14 Years**

(21) Appl. No.: **29/249,446**

(22) Filed: **Oct. 6, 2006**

(30) **Foreign Application Priority Data**

Apr. 19, 2006 (EM) 000514302-0001

(51) **LOC (8) Cl.** **26-05**

(52) **U.S. Cl.** **D26/63**

(58) **Field of Classification Search** D26/61,
D26/63, 66, 71, 72; 362/269-271, 273, 285,
362/287, 289, 372, 396, 418, 426, 427, 430,
362/648, 650

See application file for complete search history.

(56) **References Cited**

U.S. PATENT DOCUMENTS

4,112,486 A * 9/1978 Tovi 362/419
D325,646 S * 4/1992 Grange D26/63
D380,847 S * 7/1997 Mier-Langner et al. D26/63
D385,372 S * 10/1997 Mier-Langner et al. D26/63

OTHER PUBLICATIONS

Lightolier 50 watt Track Bullet in White. Found at lampsplus.com on Sep. 1, 2005.*

Lightolier Free Form. Found at lampsplus.com on Sep. 1, 2005.*

* cited by examiner

Primary Examiner—Clare E Heflin

(74) *Attorney, Agent, or Firm*—McGlew and Tuttle P.C

(57) **CLAIM**

The ornamental design for a lighting fixture, as shown and described.

DESCRIPTION

FIG. 1 is a perspective view of my new lighting fixture;

FIG. 2 is a front elevation view thereof;

FIG. 3 is a bottom view thereof;

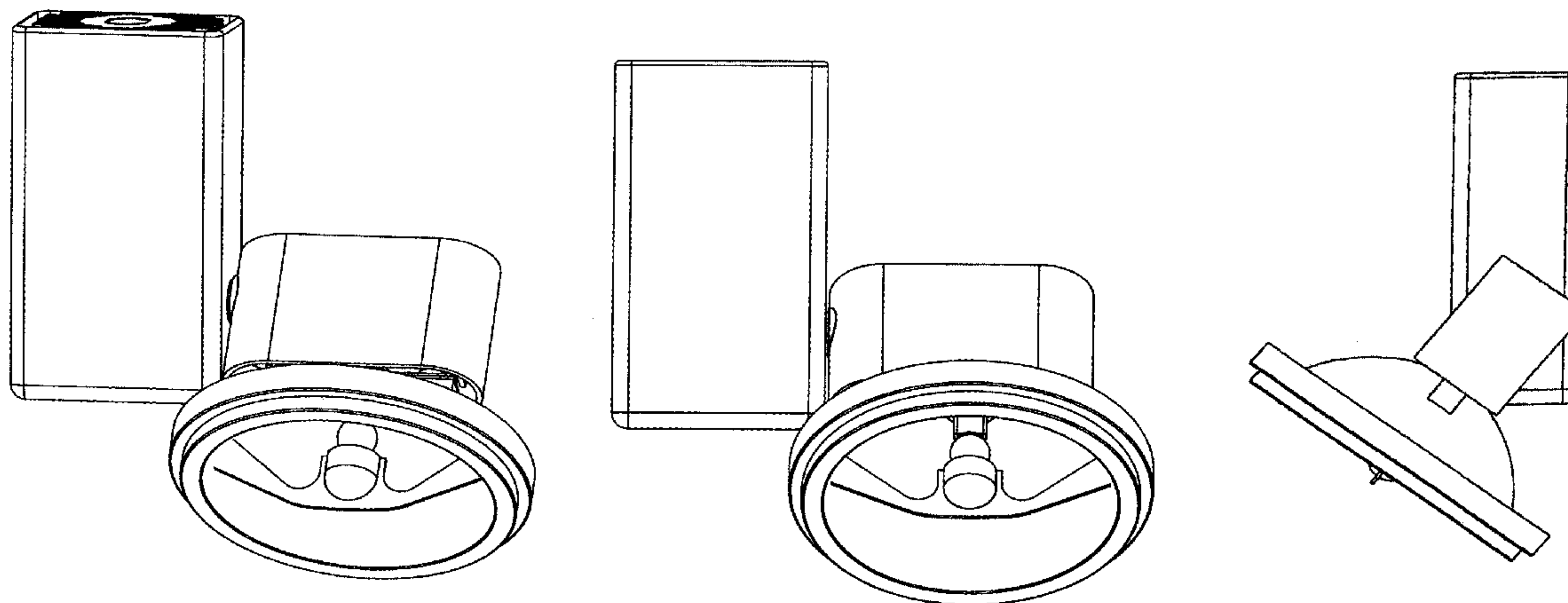
FIG. 4 is a top view thereof;

FIG. 5 is a rear elevation view thereof;

FIG. 6 is a right side view thereof; and,

FIG. 7 is a left side view thereof.

1 Claim, 3 Drawing Sheets



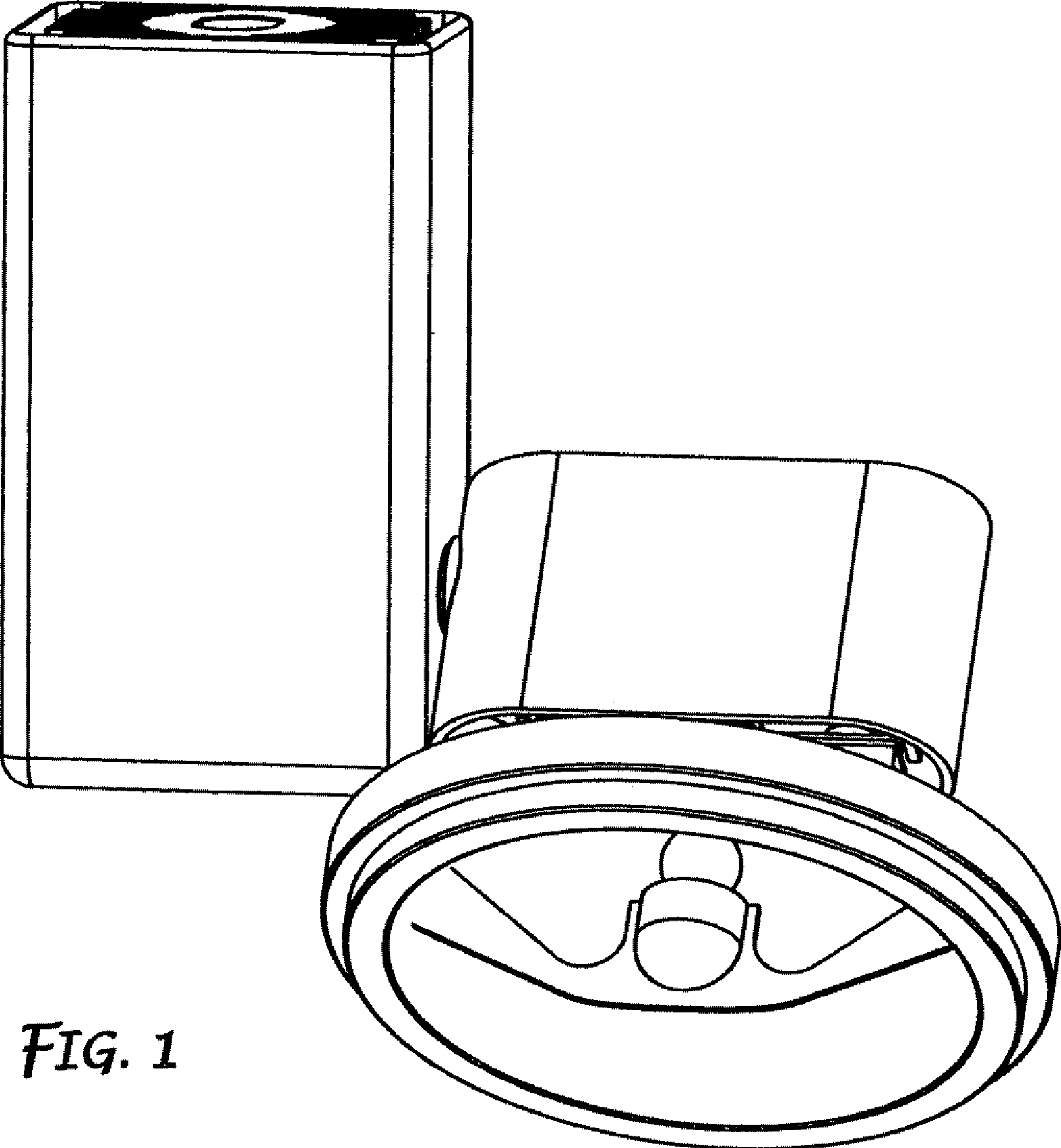
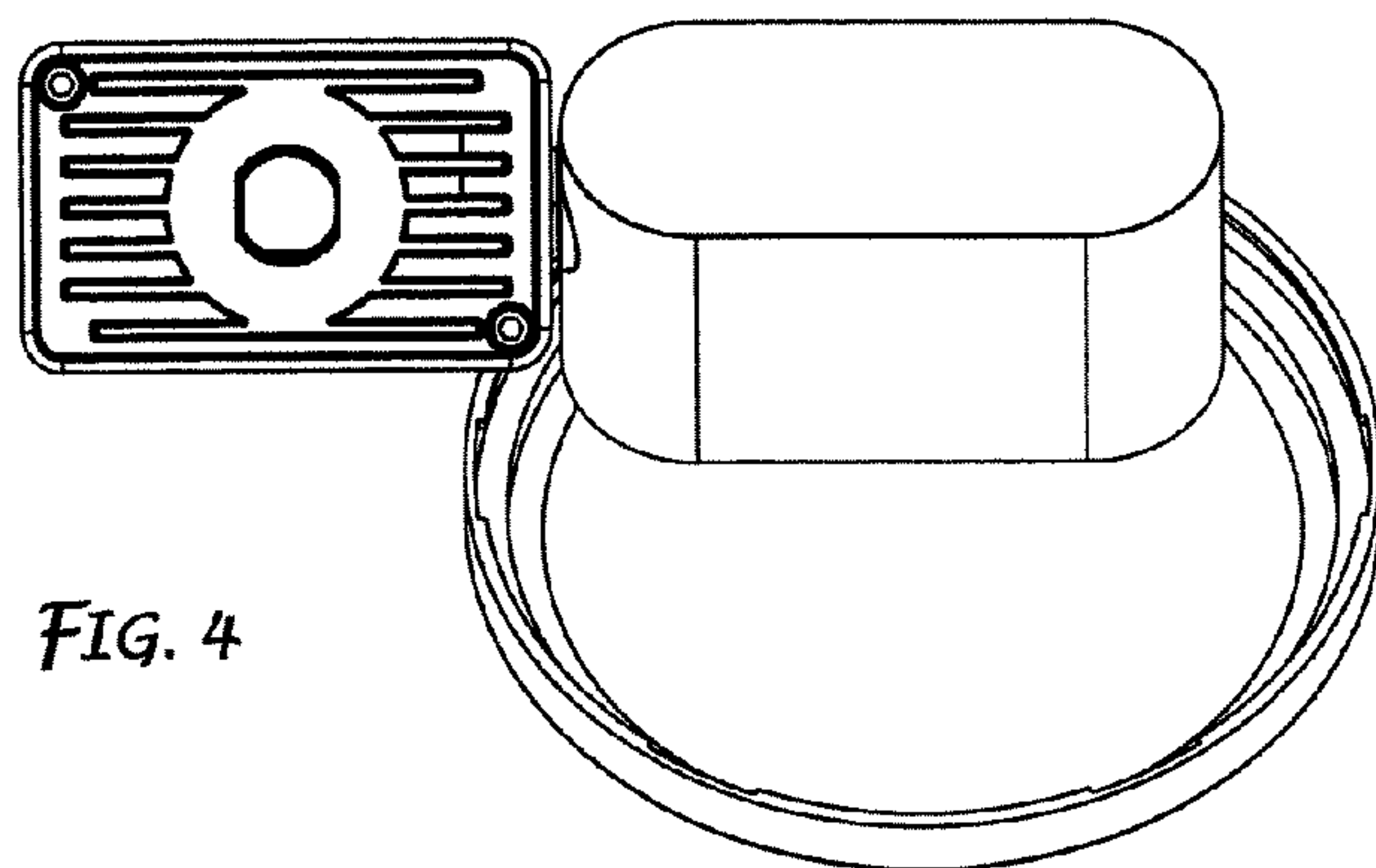
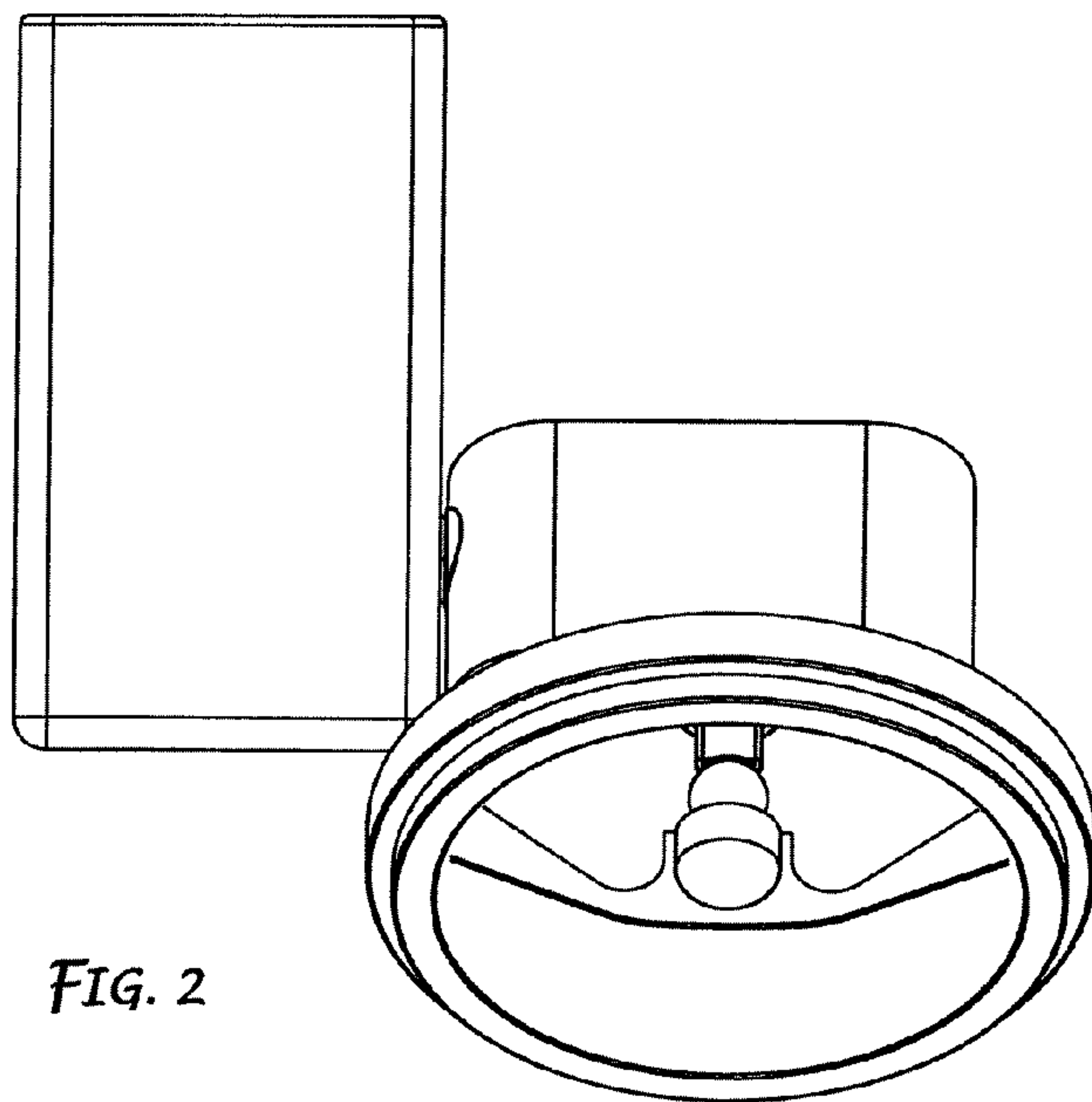
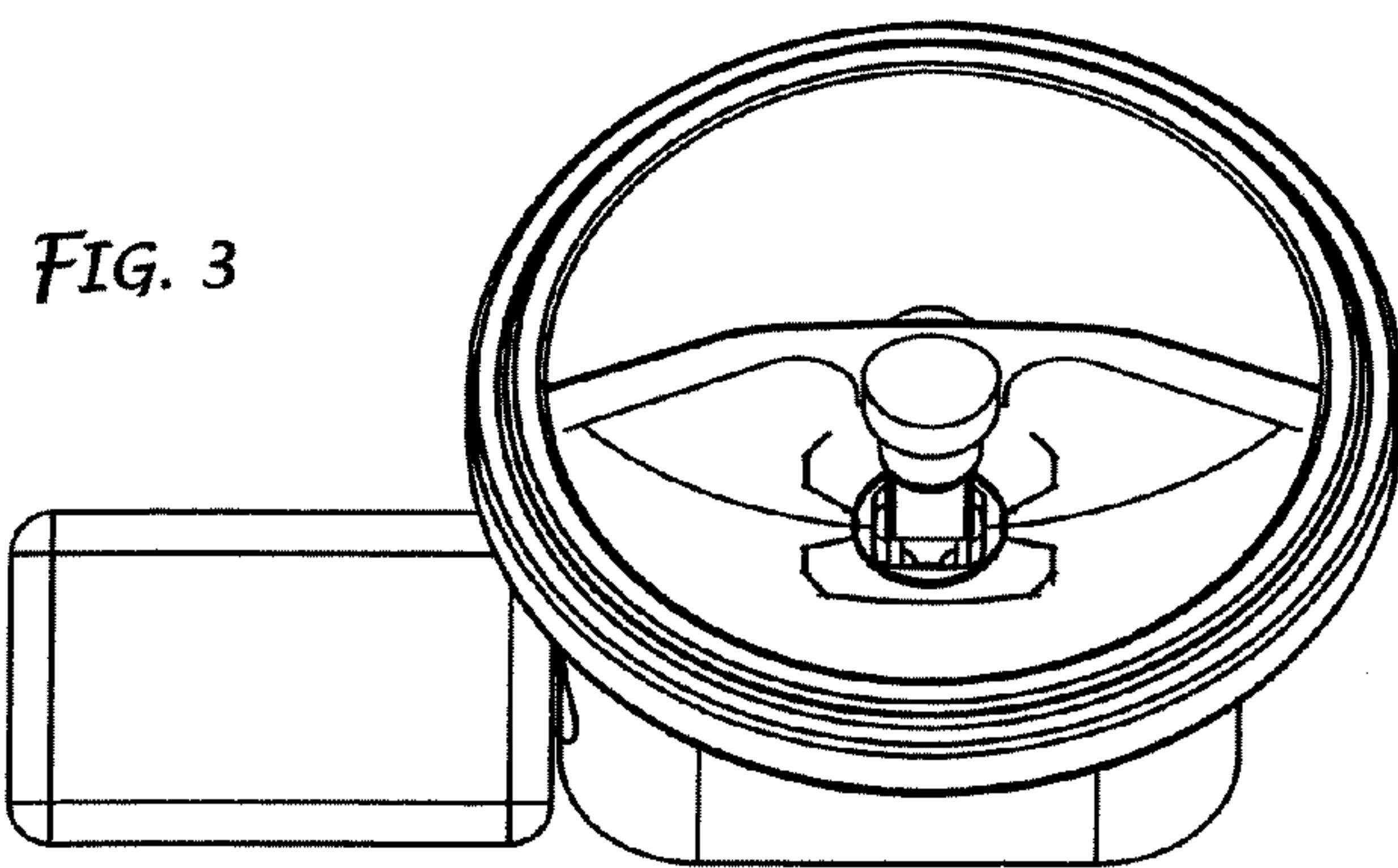


FIG. 1



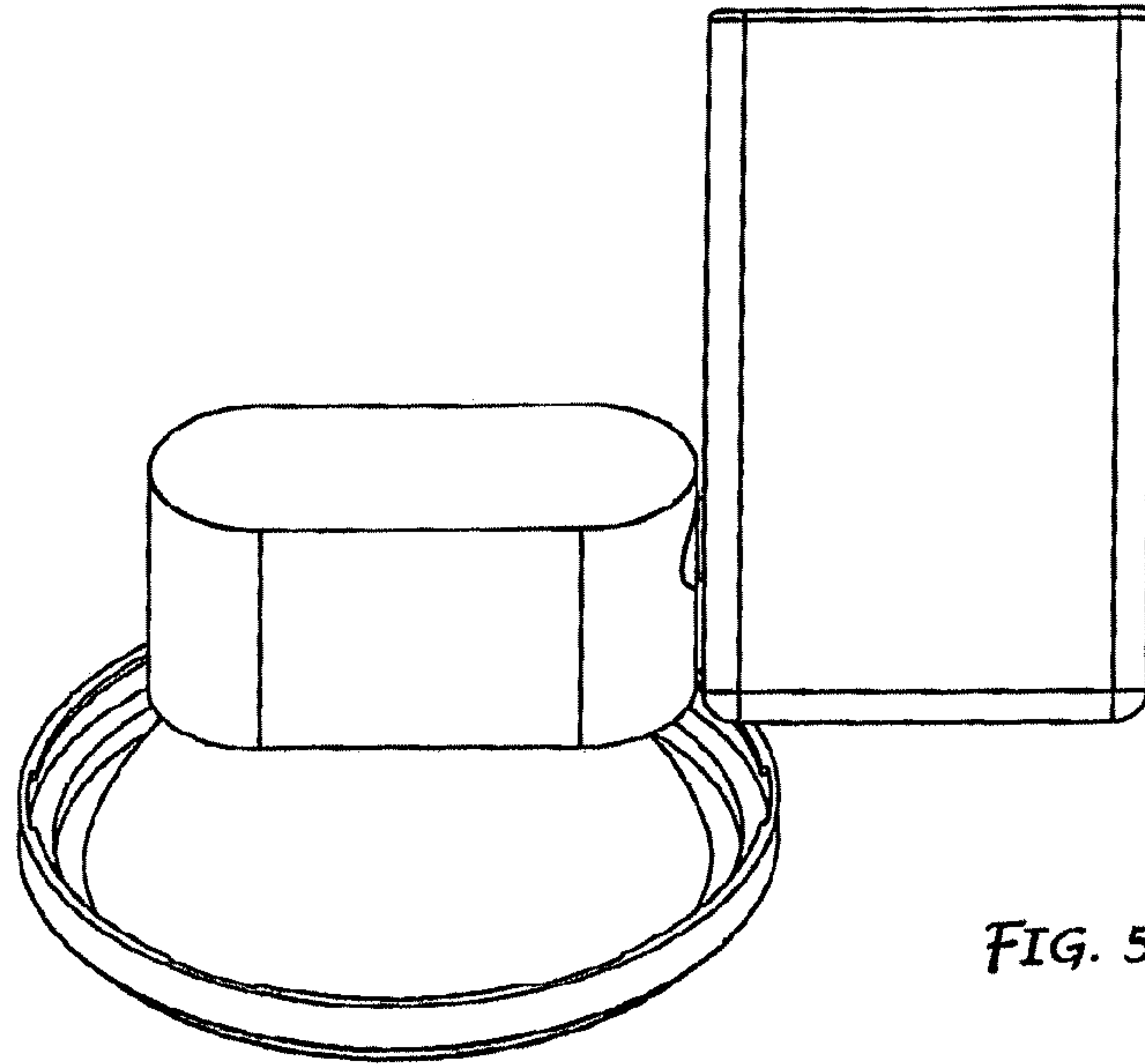


FIG. 5

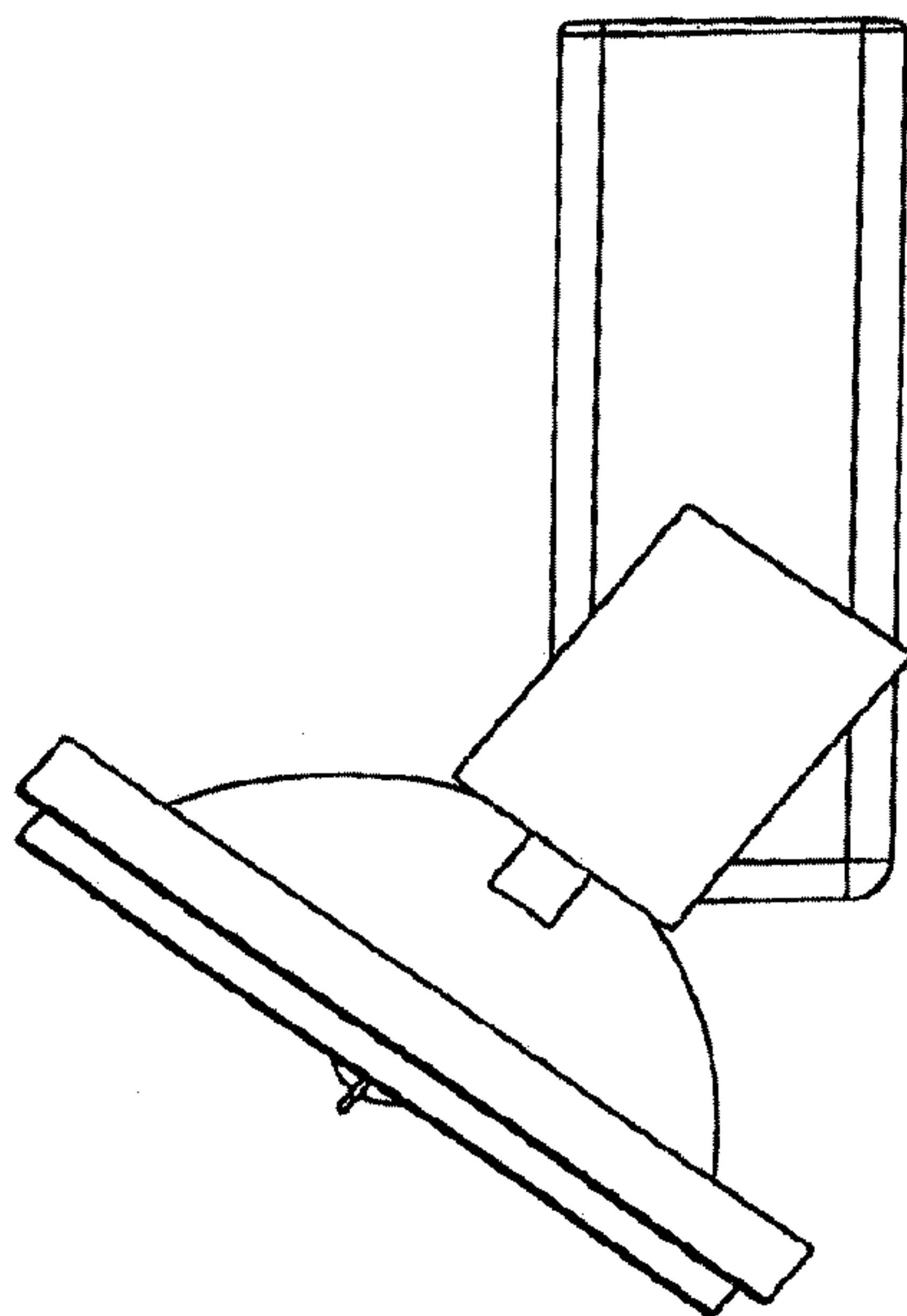


FIG. 6

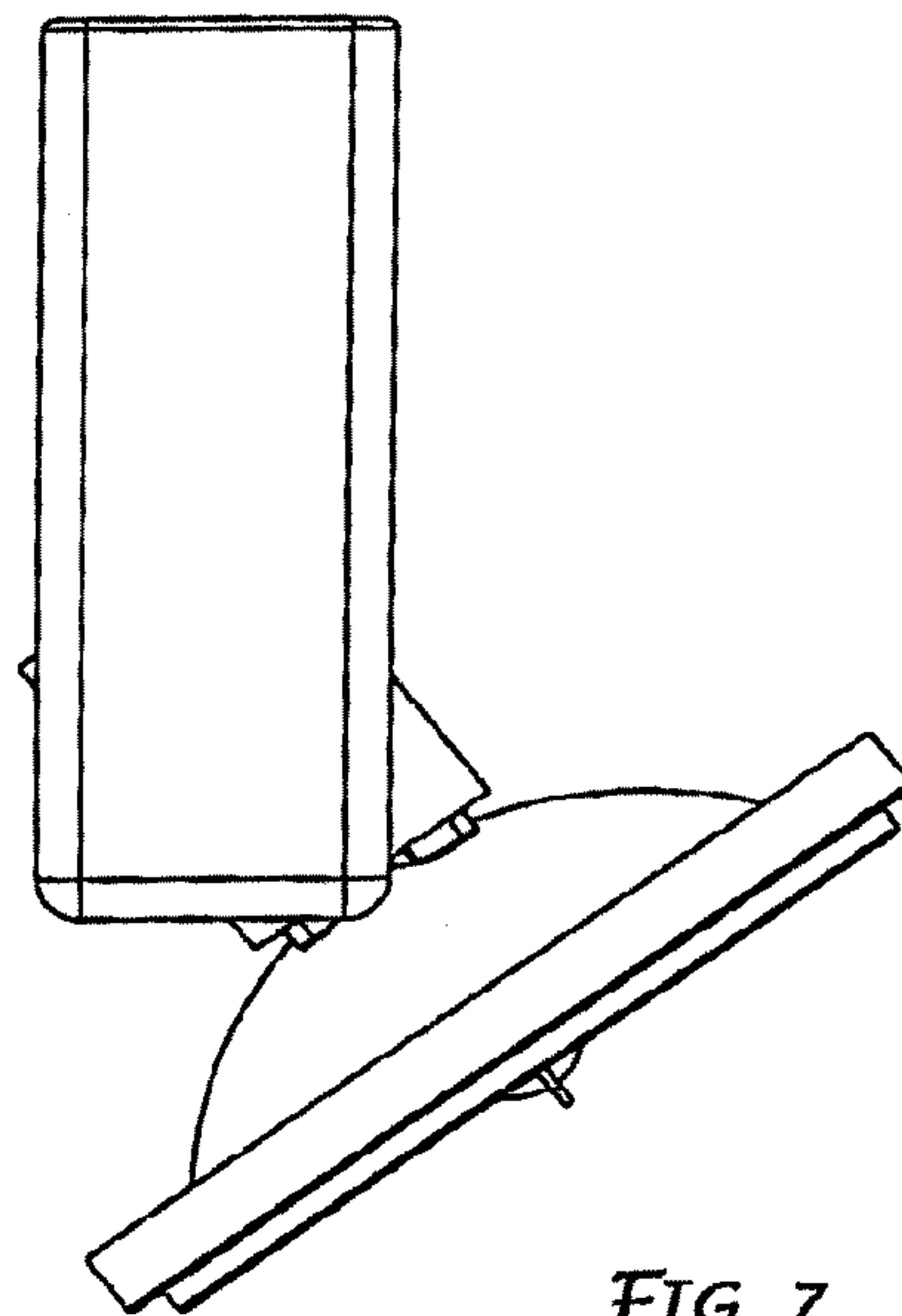


FIG. 7