



US00D552778S

(12) **United States Design Patent**
Butler

(10) **Patent No.:** **US D552,778 S**

(45) **Date of Patent:** **** Oct. 9, 2007**

(54) **ARCHITECTURAL FLOODLIGHT**

(74) *Attorney, Agent, or Firm*—Needle & Rosenberg, P.C.

(75) Inventor: **Doyle Scott Butler**, Dunwoody, GA
(US)

(57) **CLAIM**

The ornamental design for an architectural floodlight, as shown and described.

(73) Assignee: **Acuity Brands, Inc.**, Atlanta, GA (US)

(**) Term: **14 Years**

DESCRIPTION

(21) Appl. No.: **29/234,155**

FIG. 1 is a front perspective view of an architectural floodlight of the present invention;

(22) Filed: **Jul. 14, 2005**

FIG. 2 is a rear perspective view of the architectural floodlight of FIG. 1;

(51) **LOC (8) Cl.** **26-05**

(52) **U.S. Cl.** **D26/63**

(58) **Field of Classification Search** D26/61,
D26/63, 66, 71, 72; 362/269–271, 273, 285,
362/287, 289, 372, 396, 418, 426, 427, 430,
362/648, 650

FIG. 3 is a top plan view of the architectural floodlight of FIG. 1;

See application file for complete search history.

FIG. 4 is a front elevational view of the architectural floodlight of FIG. 1;

(56) **References Cited**

U.S. PATENT DOCUMENTS

D434,515 S *	11/2000	McNamara	D26/63
D444,586 S *	7/2001	Waters et al.	D26/72
D453,227 S *	1/2002	Lin	D26/63
D456,091 S *	4/2002	Rahn	D26/63
D484,629 S *	12/2003	Fong et al.	D26/63

FIG. 5 is bottom plan view of the architectural floodlight of FIG. 1;

FIG. 6 is a right side elevational view of the architectural floodlight of FIG. 1, the left, opposite, side of which is a mirror image thereof; and,

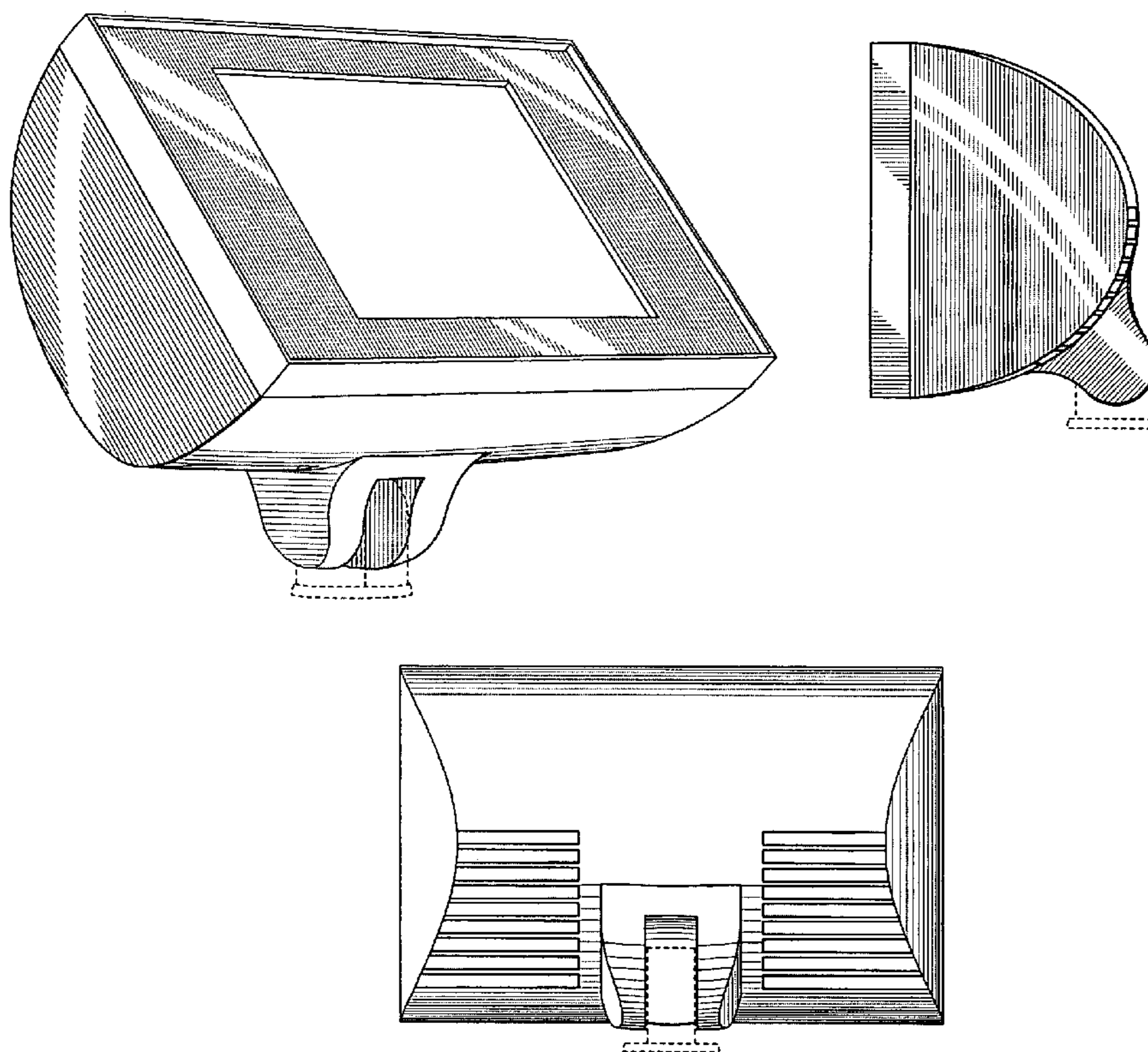
FIG. 7 is a rear elevational view of the architectural floodlight of FIG. 1.

The broken lines shown are for illustrative purposes only and form no part of the claimed design.

* cited by examiner

Primary Examiner—Clare E Heflin

1 Claim, 3 Drawing Sheets



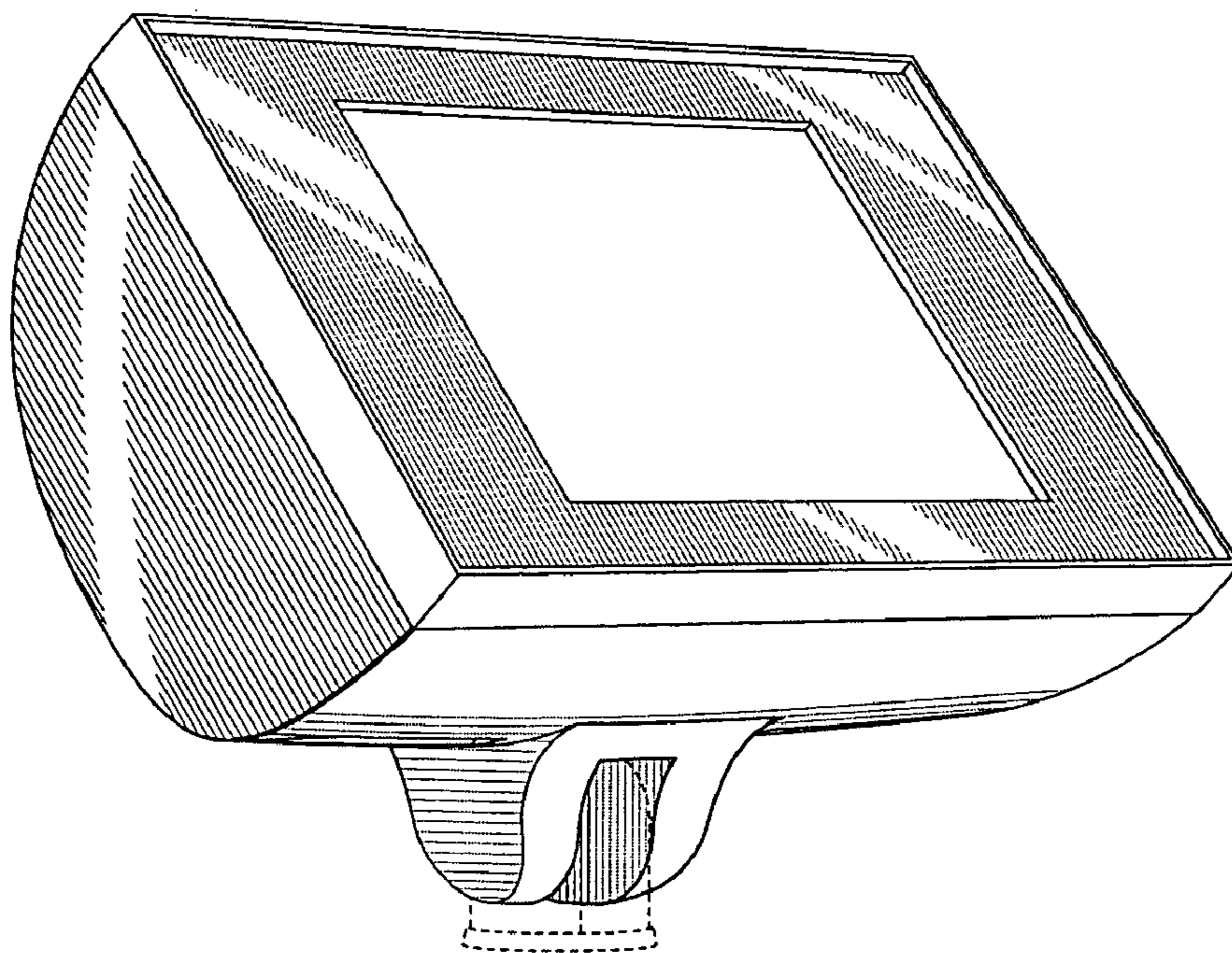


FIG 1

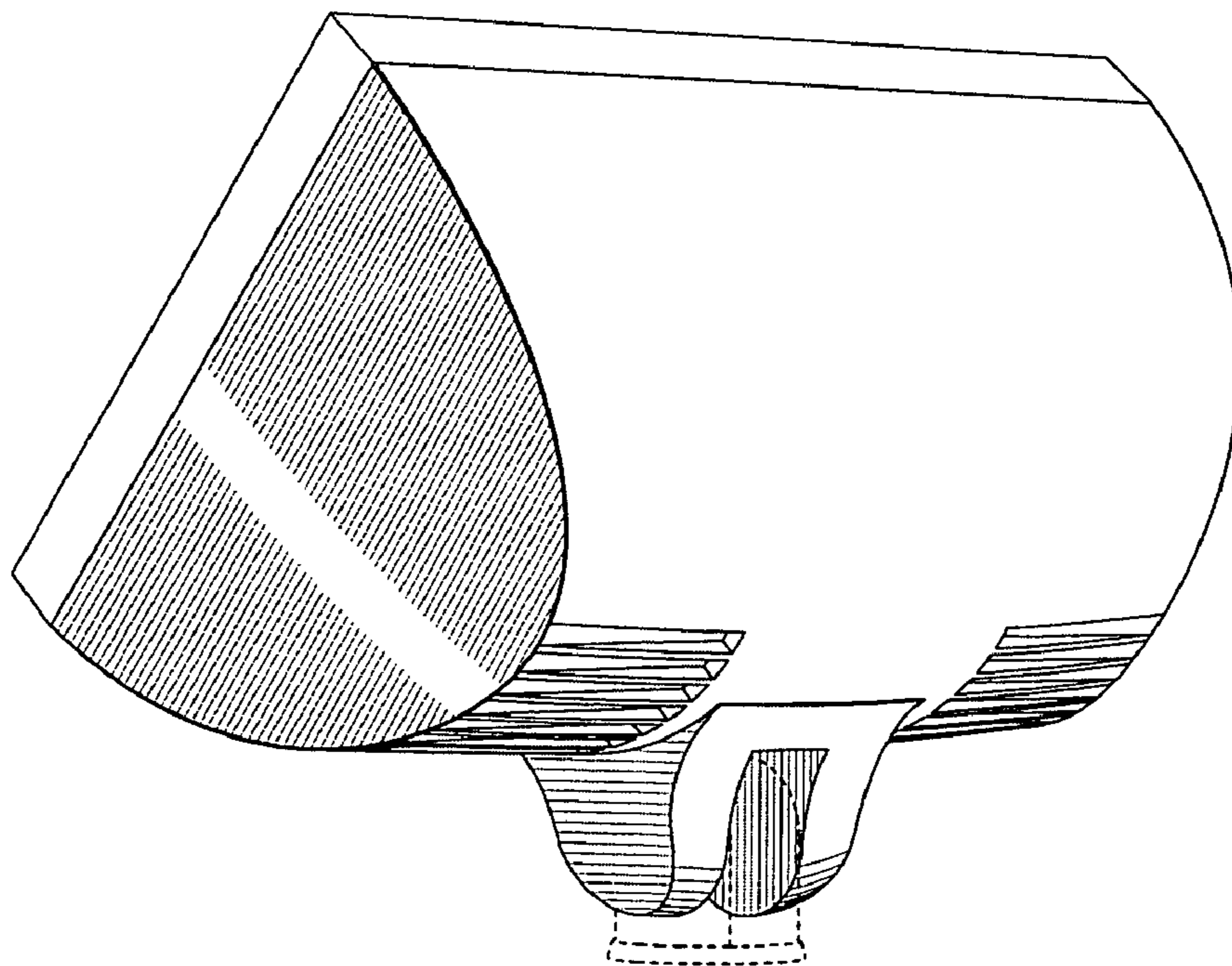


FIG 2

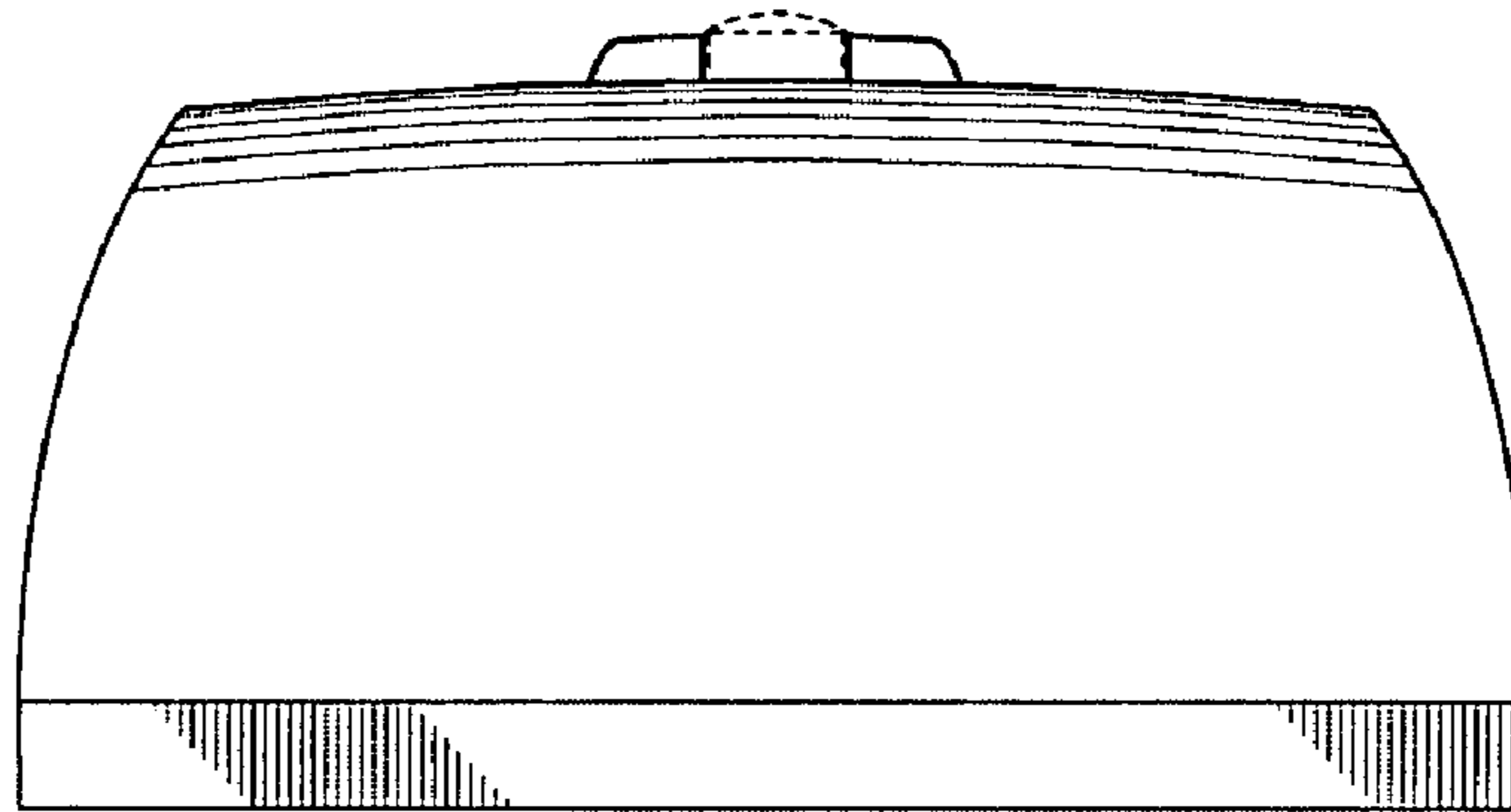


FIG 3

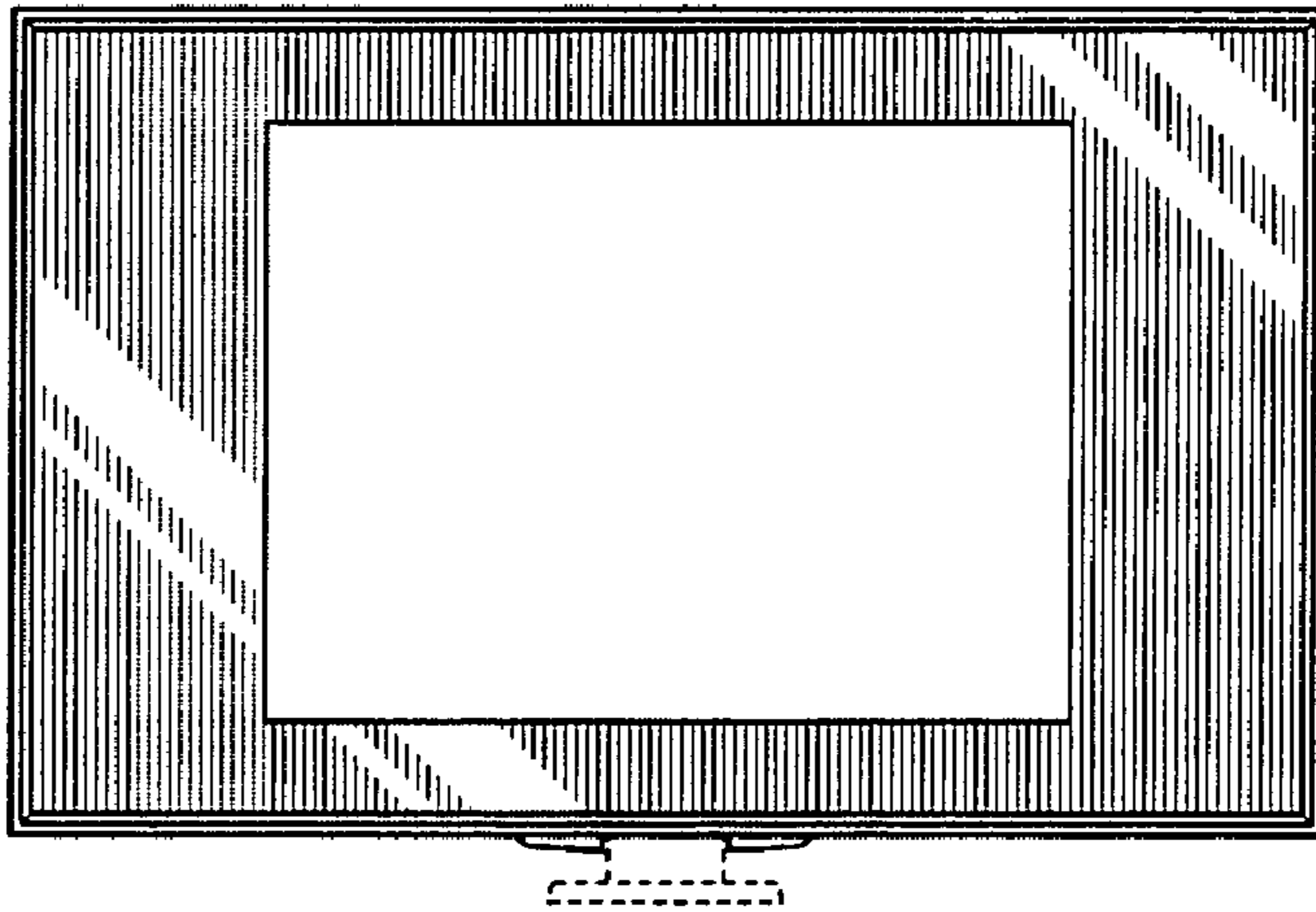


FIG 4

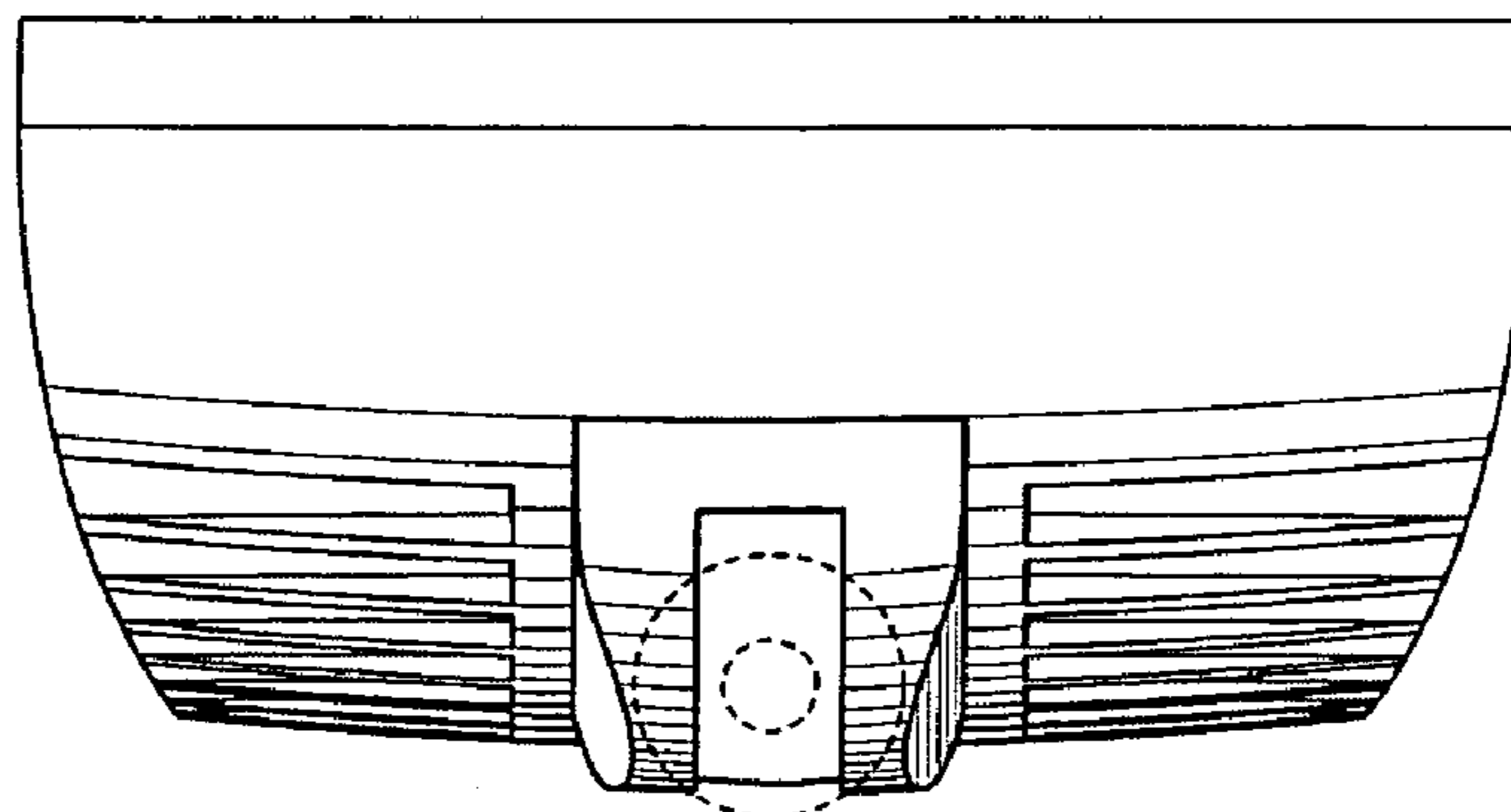


FIG 5

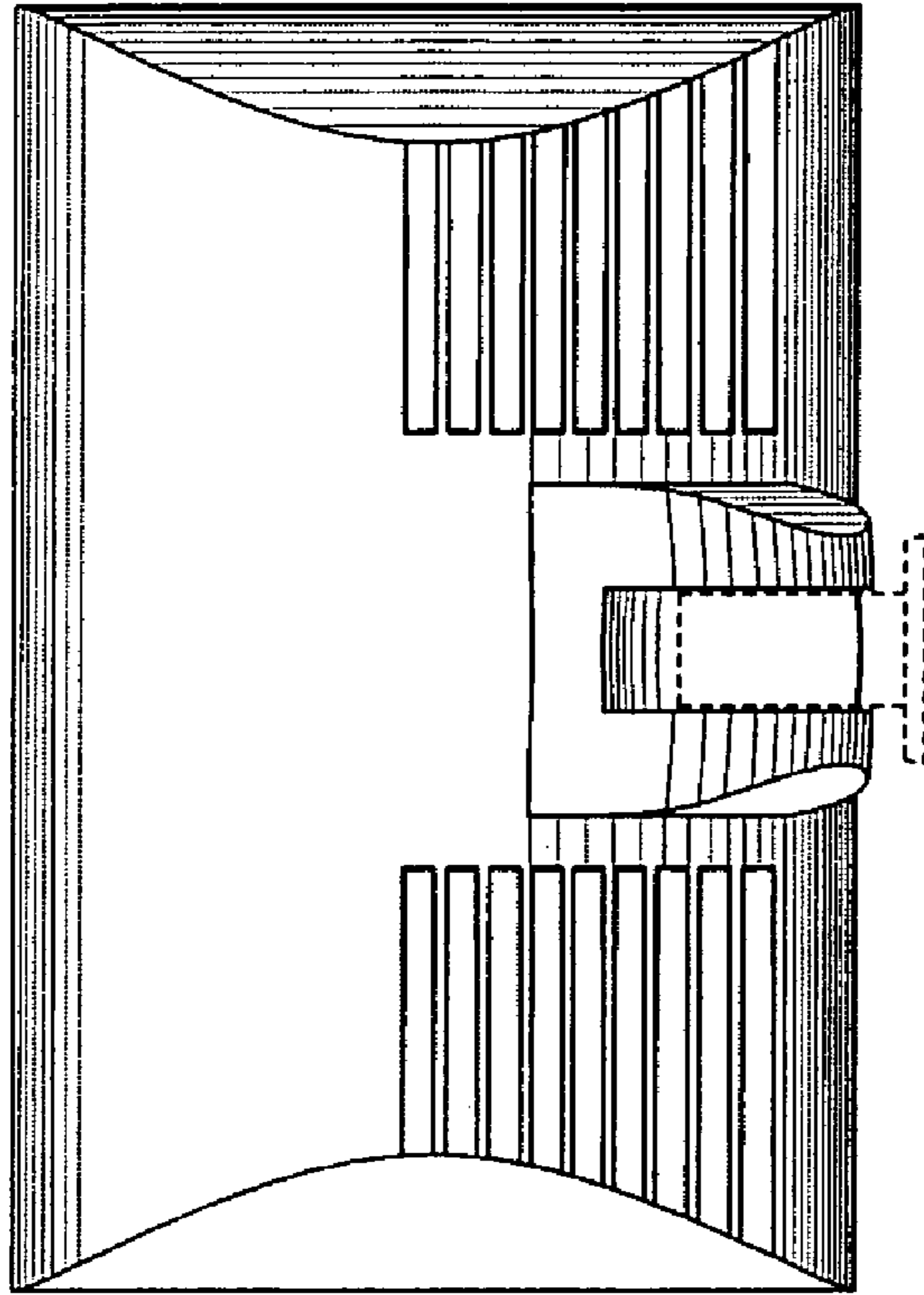


FIG 7

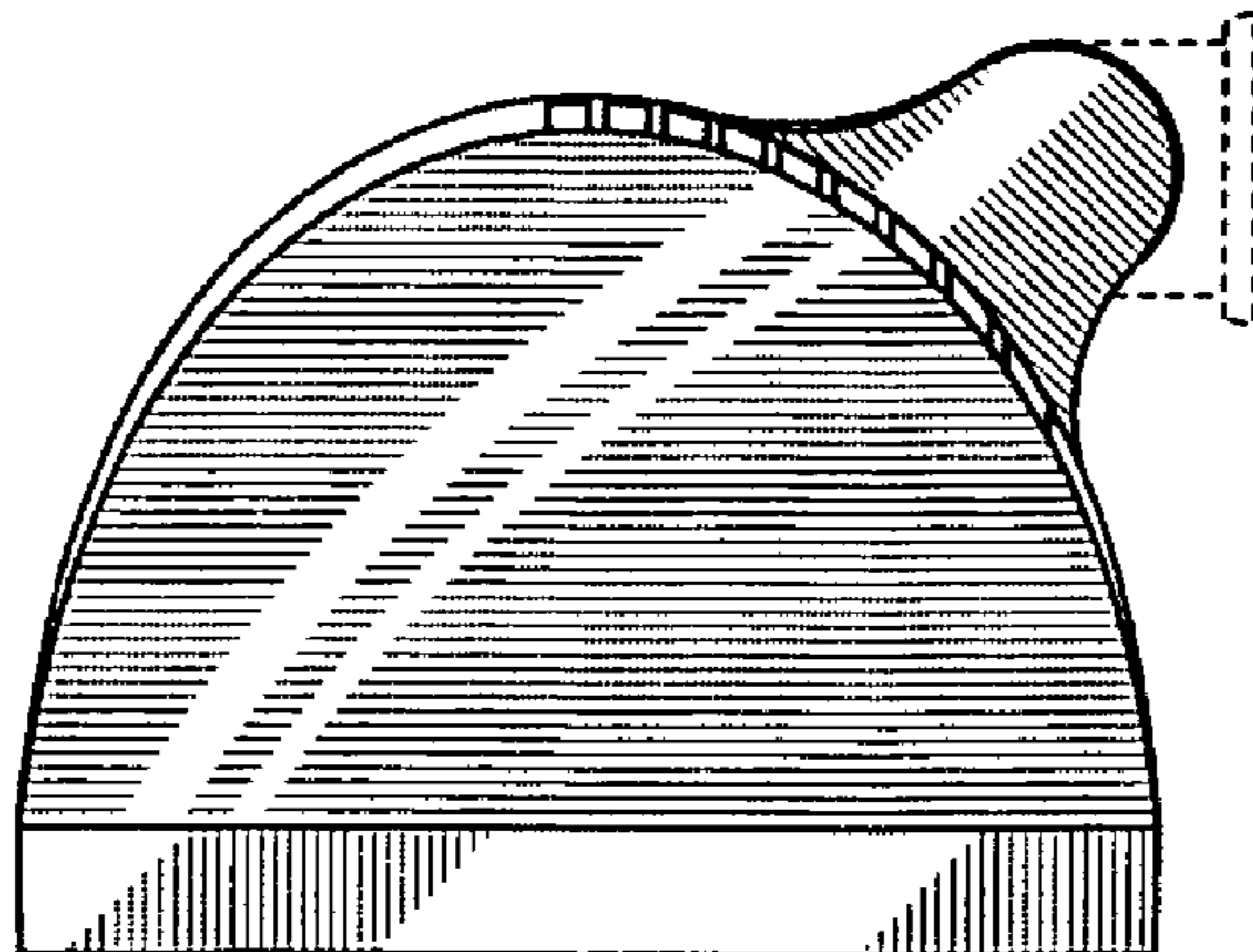


FIG 6