



US00D552774S

(12) **United States Design Patent**
Lee

(10) **Patent No.: US D552,774 S**

(45) **Date of Patent: ** Oct. 9, 2007**

(54) **COMBINED DYNAMO RECHARGEABLE
FLASHLIGHT, RADIO WITH LANTERN**

D445,519 S * 7/2001 Burns D26/38
D504,411 S * 4/2005 Lam D14/168
D505,128 S * 5/2005 Lam D14/168

(75) Inventor: **Kenneth Lee**, New Territories (CN)

* cited by examiner

(73) Assignee: **Ten Forward Limited**, Tsuen Wan,
New Territories, Hong Kong (CN)

Primary Examiner—Ian Simmons

Assistant Examiner—Carissa Fitts

(74) *Attorney, Agent, or Firm*—Alix, Yale & Ristas, LLP

(**) Term: **14 Years**

(57) **CLAIM**

(21) Appl. No.: **29/262,540**

The ornamental design for a combined dynamo rechargeable flashlight, radio with lantern, as shown and described.

(22) Filed: **Jul. 5, 2006**

(51) **LOC (8) Cl.** **26-02**

(52) **U.S. Cl.** **D26/38**

(58) **Field of Classification Search** D26/37,
D26/38, 41, 44, 46, 48, 50, 51, 52, 63; 362/157,
362/158, 159, 183, 192, 193, 200, 208; D14/168,
D14/188, 193–198

See application file for complete search history.

DESCRIPTION

FIG. 1 is a front elevational view of a combined dynamo rechargeable flashlight, radio with lantern showing my new design;

FIG. 2 is a rear view thereof;

FIG. 3 is a right side elevational view thereof;

FIG. 4 is a left side elevational view thereof;

FIG. 5 is a top plan view thereof; and,

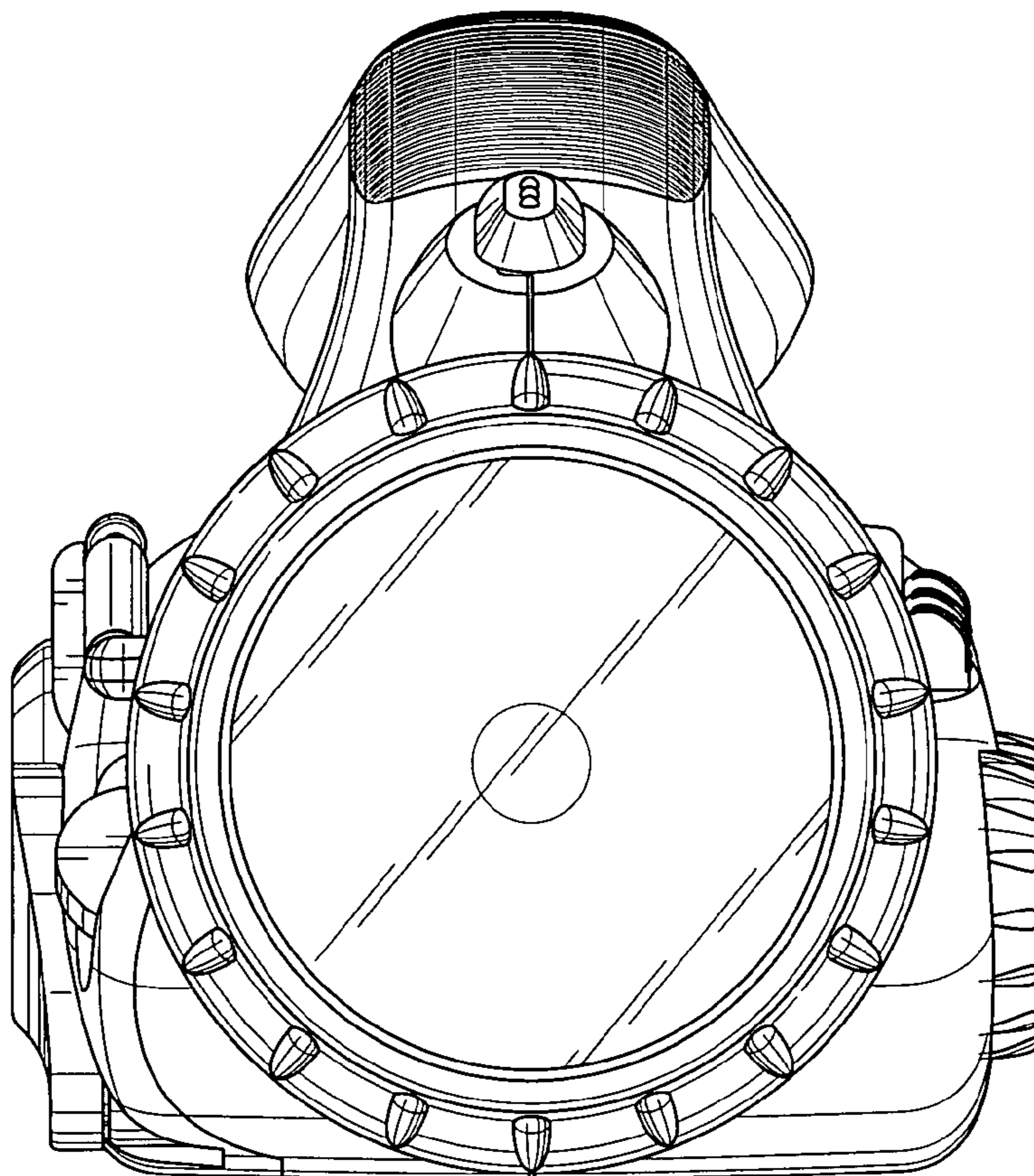
FIG. 6 is a bottom plan view thereof.

(56) **References Cited**

U.S. PATENT DOCUMENTS

D426,659 S * 6/2000 Lee D26/38
D438,314 S * 2/2001 Poon D26/38

1 Claim, 6 Drawing Sheets



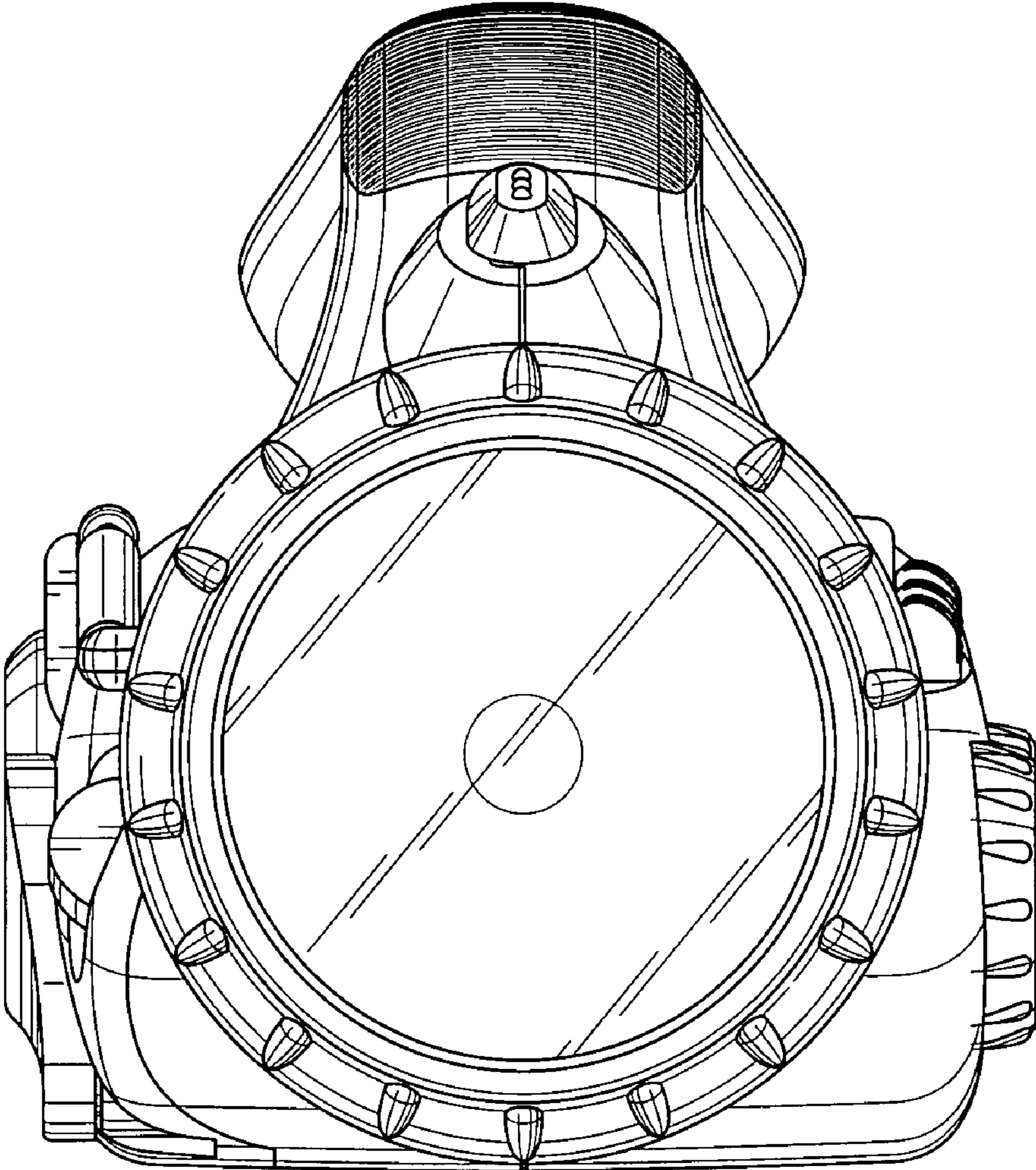


FIG. 1

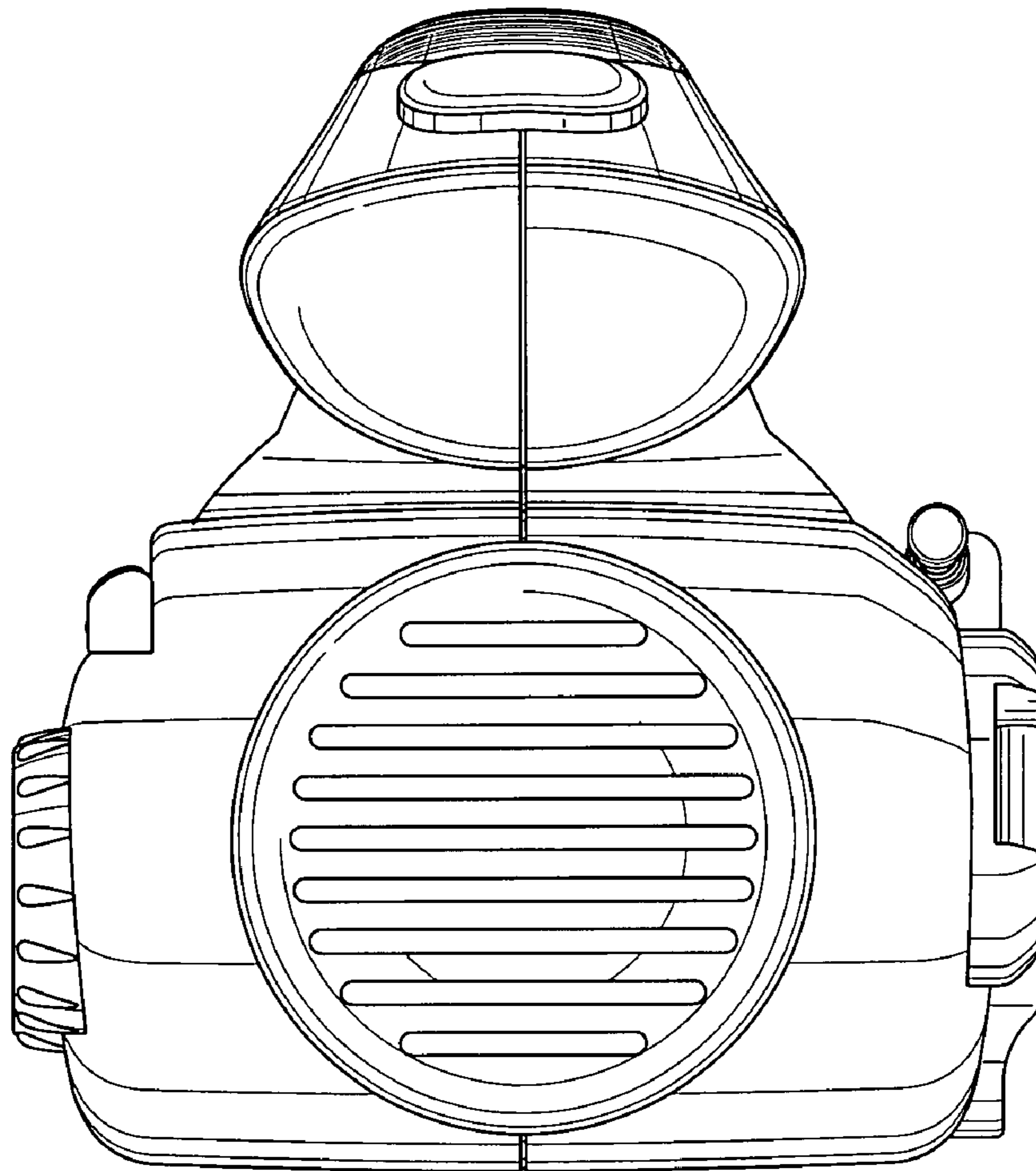


FIG. 2

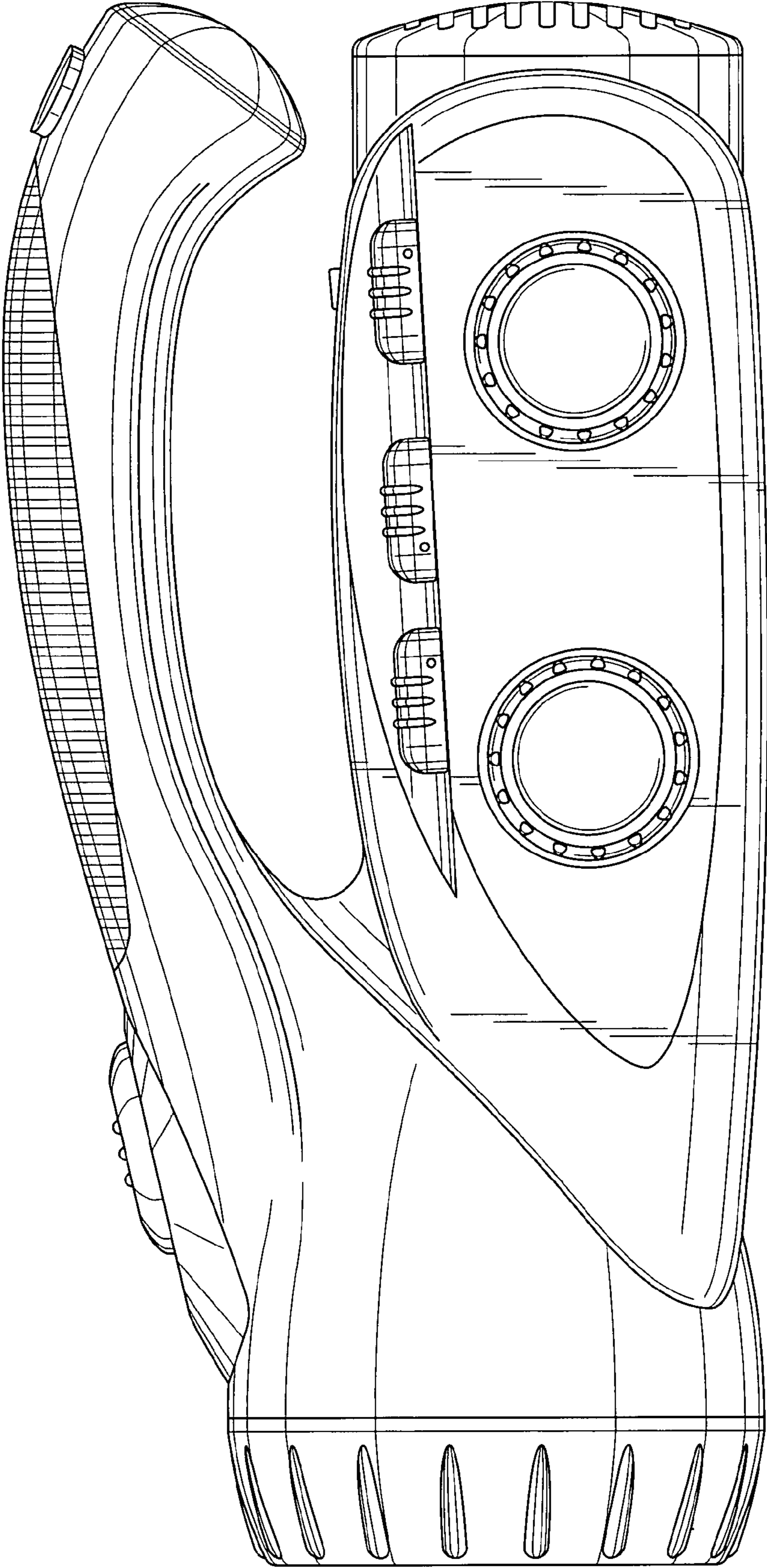


FIG. 3

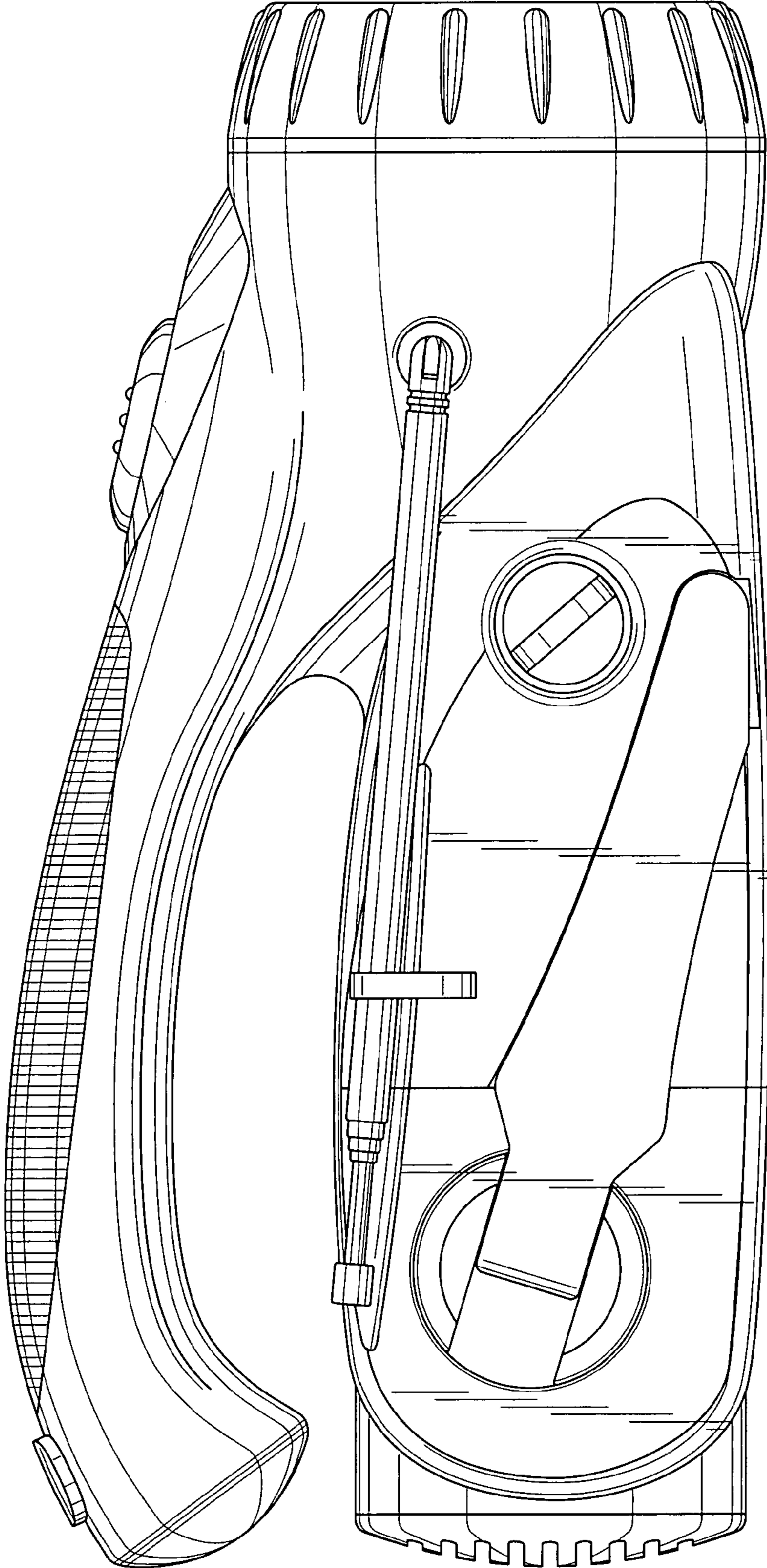


FIG. 4

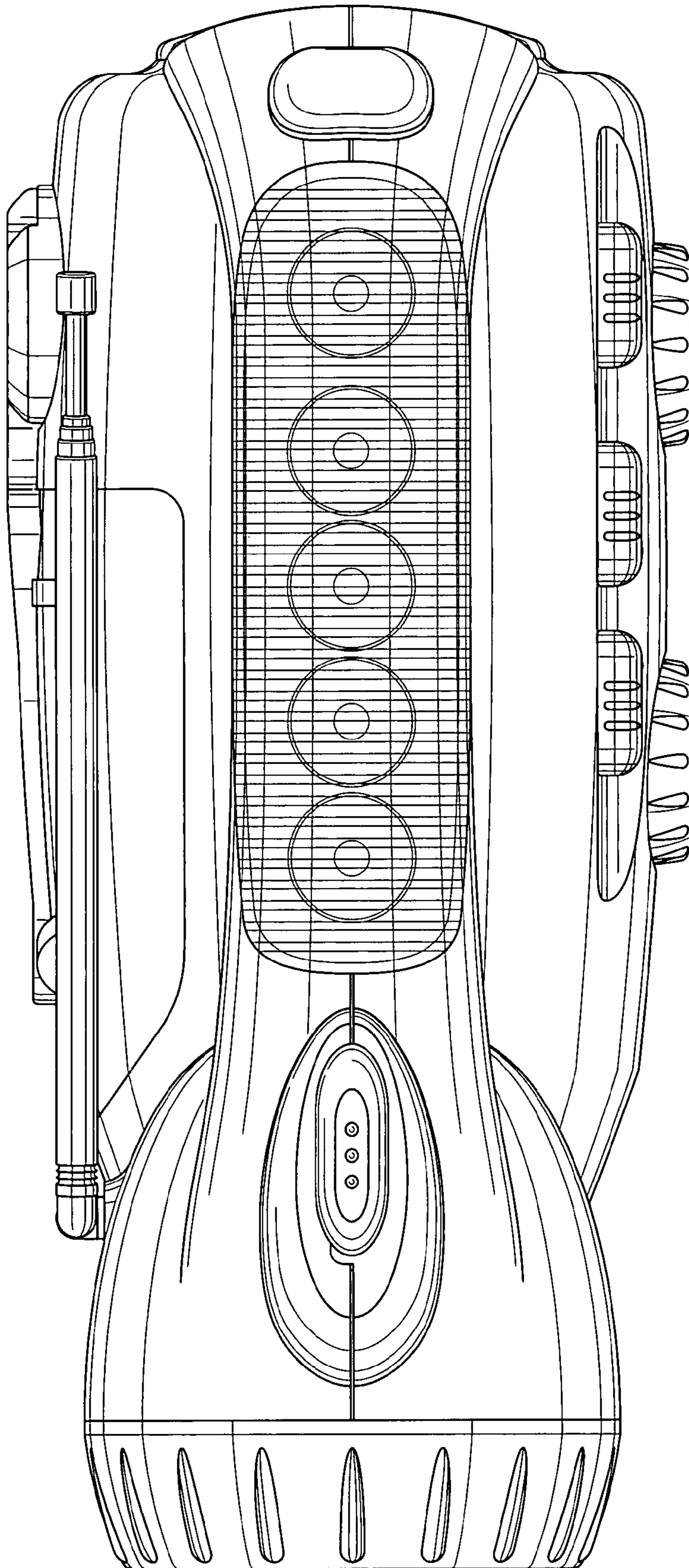


FIG. 5

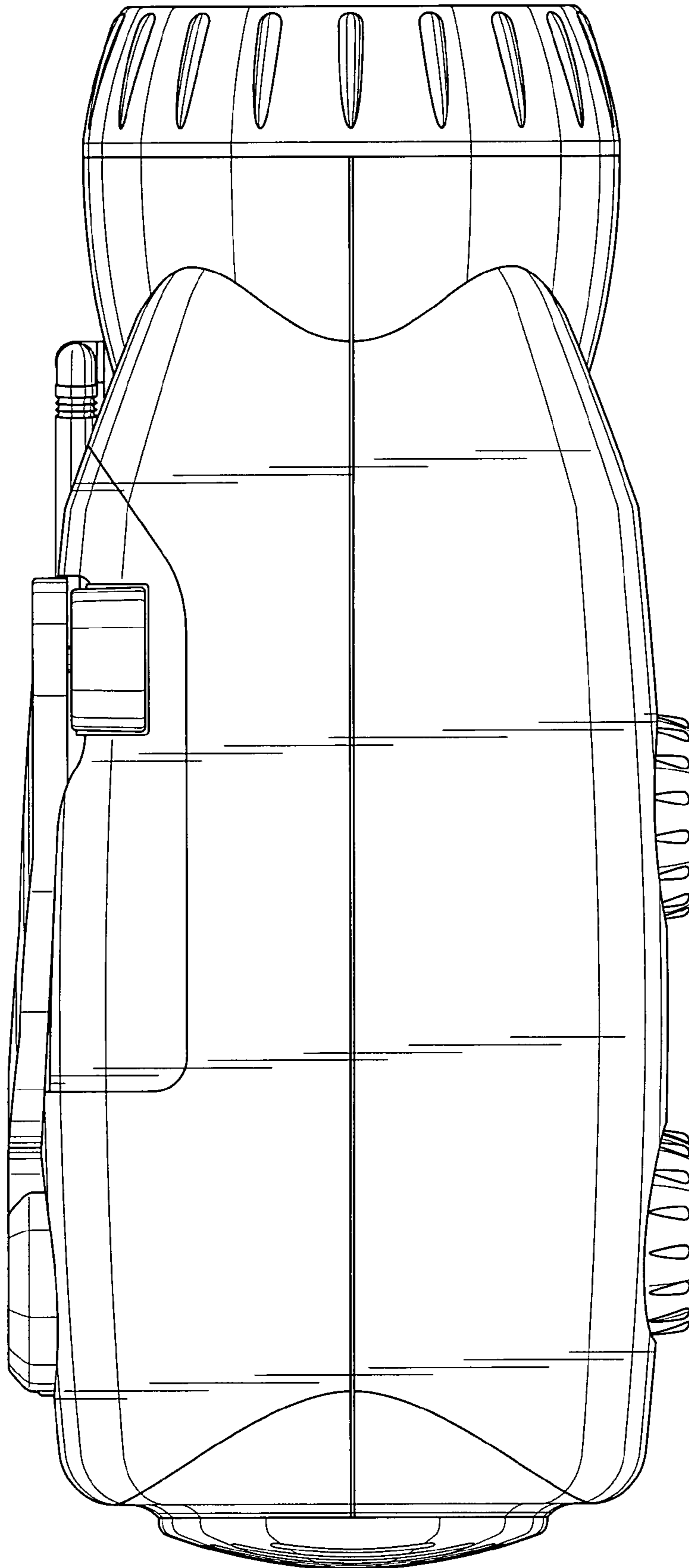


FIG. 6