



US00D552770S

(12) **United States Design Patent**  
**Davidson**

(10) **Patent No.:** **US D552,770 S**

(45) **Date of Patent:** **\*\* Oct. 9, 2007**

(54) **VEHICLE HEADLIGHT**

D535,409 S \* 1/2007 Yamaguchi ..... D26/28

D535,764 S \* 1/2007 Yamaguchi ..... D26/28

D538,954 S \* 3/2007 Pfeiffer ..... D26/28

(75) Inventor: **Benjamin R. Davidson**, Redondo Beach, CA (US)

(73) Assignee: **Honda Motor Co., Ltd.**, Tokyo (JP)

\* cited by examiner

(\*\*) Term: **14 Years**

*Primary Examiner*—Marcus A. Jackson

(21) Appl. No.: **29/275,568**

(74) *Attorney, Agent, or Firm*—Plumsea Law Group, LLC

(22) Filed: **Dec. 29, 2006**

(57) **CLAIM**

**Related U.S. Application Data**

The ornamental design for a vehicle headlight, as shown and described.

(63) Continuation of application No. 29/250,663, filed on Nov. 27, 2006, and a continuation of application No. 29/250,655, filed on Nov. 27, 2006.

**DESCRIPTION**

(51) **LOC (8) Cl.** ..... **26-06**

FIG. 1 is a perspective view of a vehicle headlight showing my new design;

(52) **U.S. Cl.** ..... **D26/28**

FIG. 2 is a front elevational view thereof; and,

(58) **Field of Classification Search** ..... D26/28-36;  
362/459-468, 475-478, 485-487  
See application file for complete search history.

FIG. 3 is a side elevational view thereof.

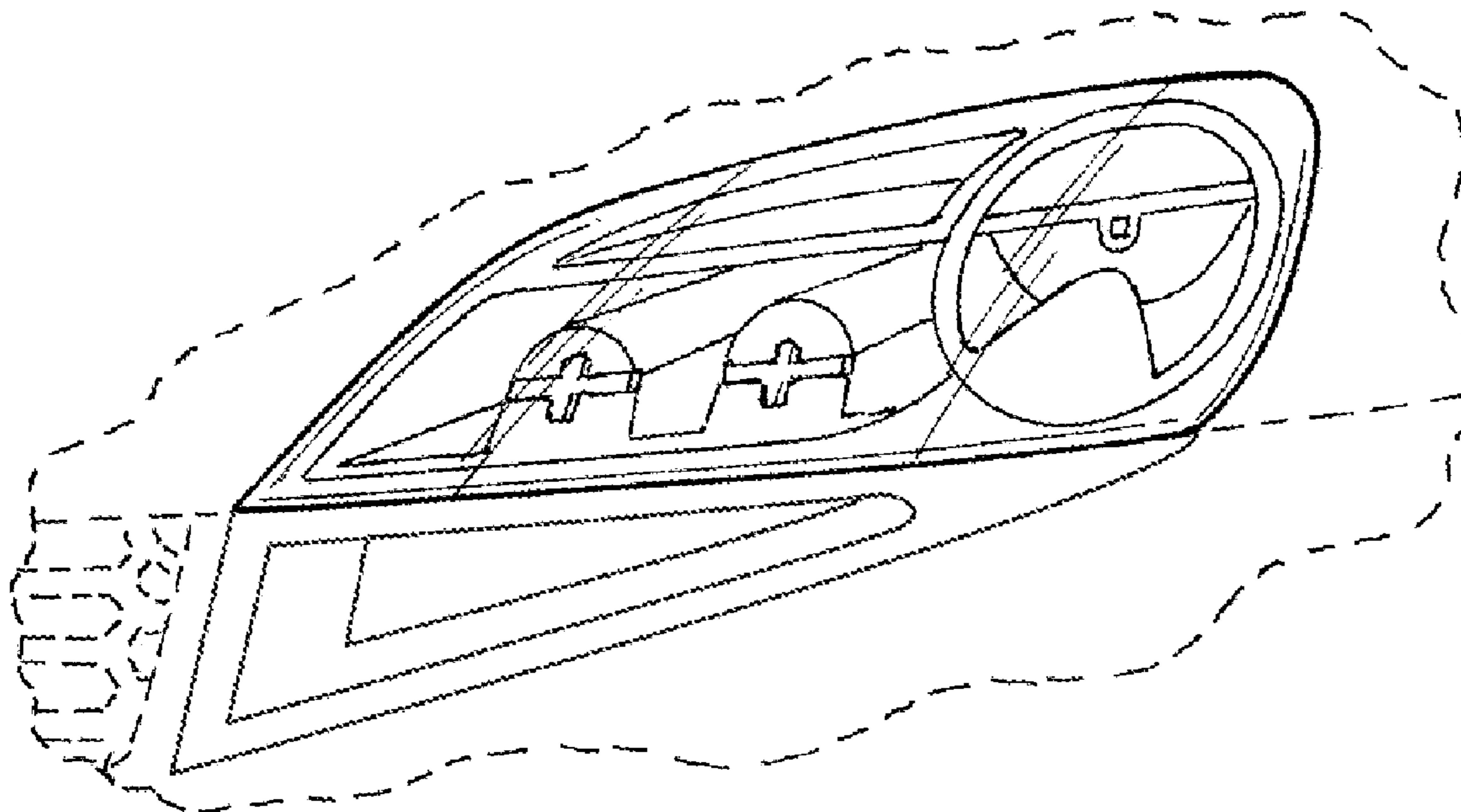
(56) **References Cited**

The broken line showings of the surrounding areas are for illustrative purposes only and form no part of the claimed design.

**U.S. PATENT DOCUMENTS**

D518,197 S \* 3/2006 Osawa ..... D26/28

**1 Claim, 1 Drawing Sheet**



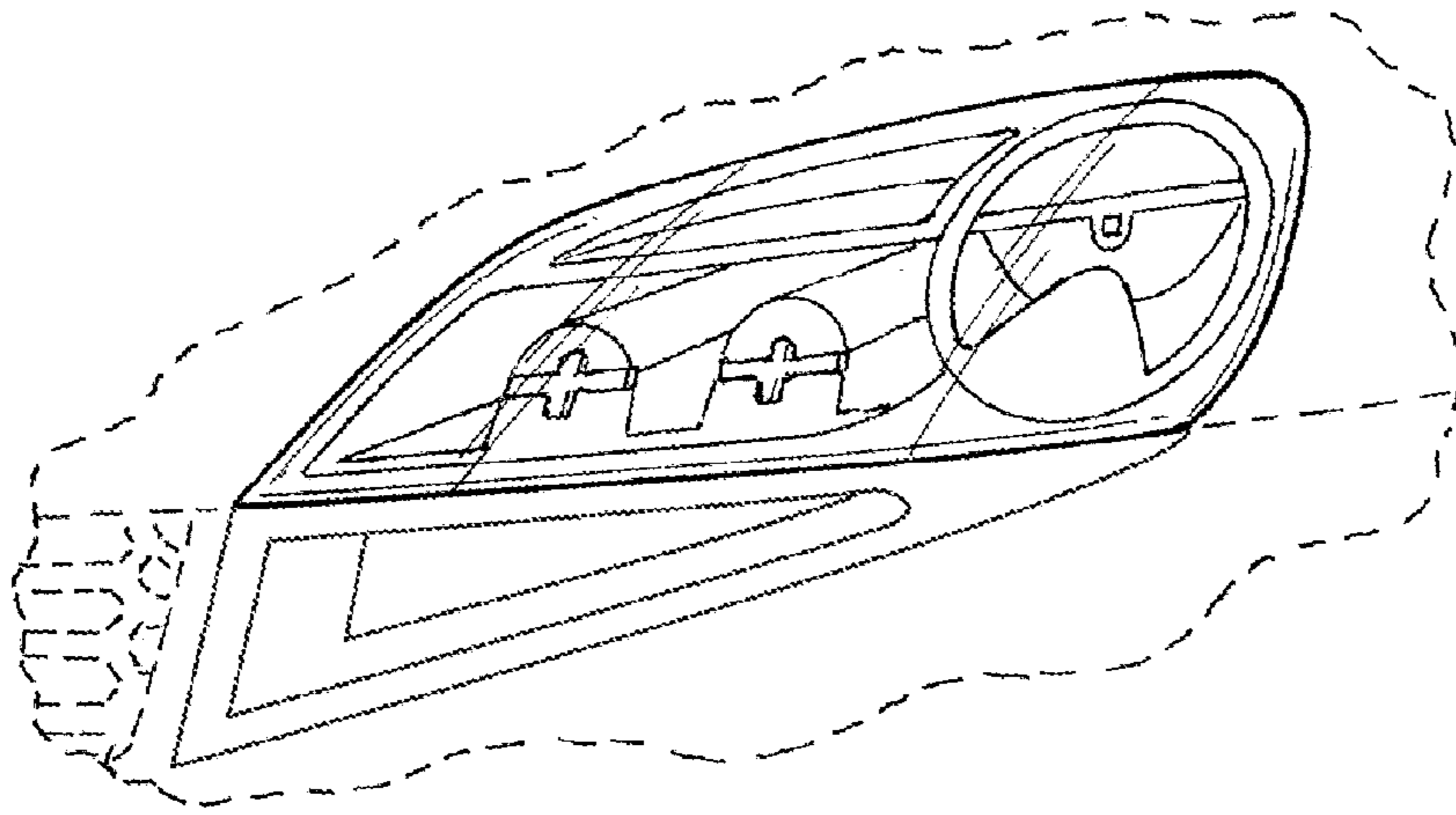


FIG. 1

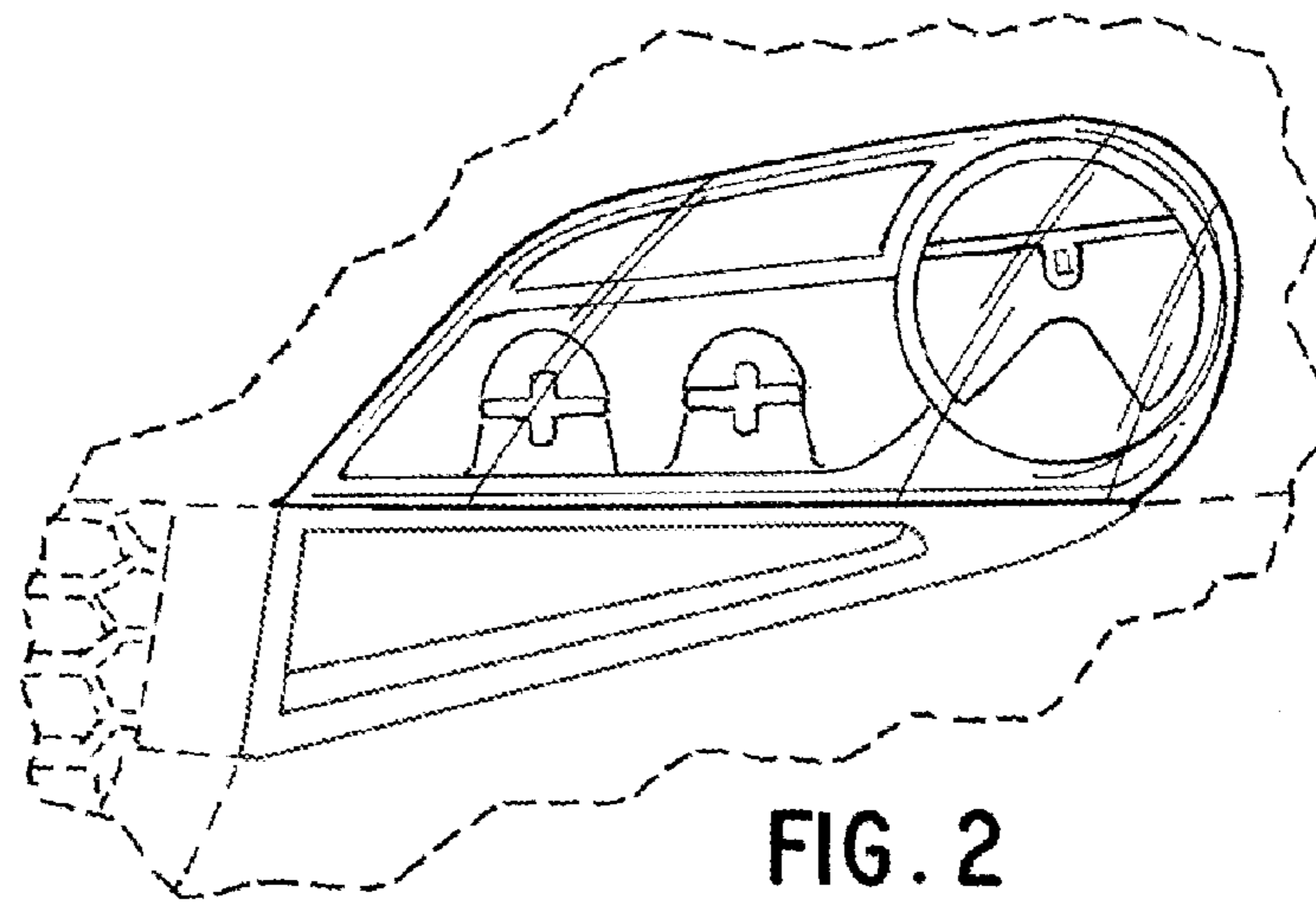


FIG. 2

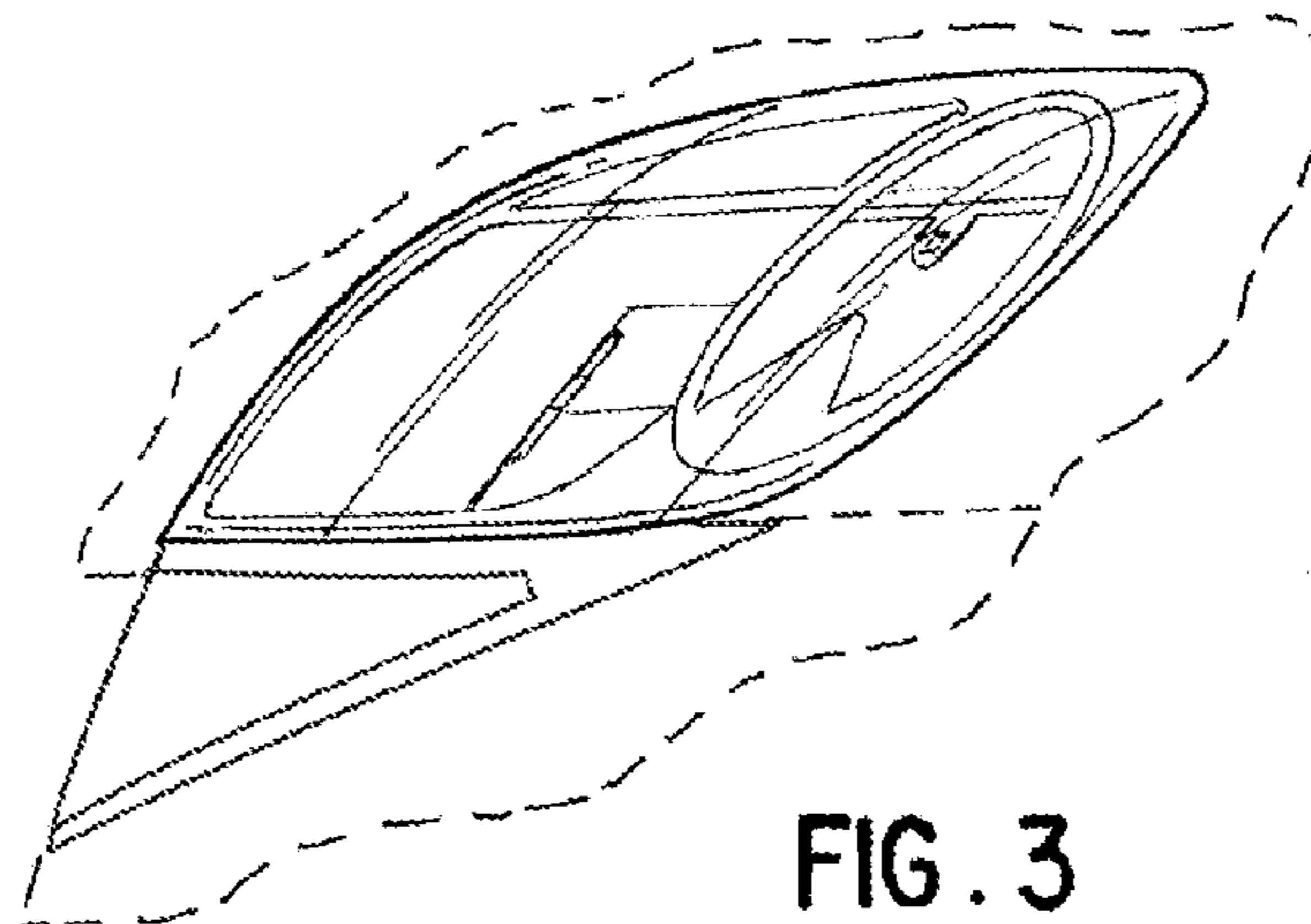


FIG. 3