



US00D552760S

(12) **United States Design Patent**
Seiling et al.

(10) **Patent No.:** **US D552,760 S**

(45) **Date of Patent:** **** Oct. 9, 2007**

(54) **VINYL FENCE RAIL**

D484,249 S * 12/2003 Michael et al. D25/38
D497,432 S * 10/2004 Ohanesian D25/38

(75) Inventors: **Kevin A. Seiling**, Monaca, PA (US);
Eric Matthew Eisenhuth, East Butler,
PA (US)

* cited by examiner

Primary Examiner—Doris Clark
(74) *Attorney, Agent, or Firm*—Frederick L. Tolhurst, Esq.;
Cohen & Grigsby, P.C.

(73) Assignee: **Veka, Inc.**, Fombell, PA (US)

(**) Term: **14 Years**

(57) **CLAIM**

(21) Appl. No.: **29/247,847**

We claim the ornamental design for a vinyl fence rail, as shown and described.

(22) Filed: **Jul. 17, 2006**

(51) **LOC (8) Cl.** **25-01**

DESCRIPTION

(52) **U.S. Cl.** **D25/122**

(58) **Field of Classification Search** D25/38,
D25/43, 44, 39, 122; 52/65.01, 59, 68, 72,
52/65.02, 65.04, 65.08, 65.11, 65.15, 65.16
See application file for complete search history.

FIG. 1 is a perspective of the vinyl fence rail embodying our new design.

FIG. 2 is an end view of the vinyl fence rail shown in FIG. 1.

FIG. 3 is a side view of the vinyl fence rail shown in FIG. 1.

FIG. 4 is a top view of the vinyl fence rail shown in FIG. 1; and,

FIG. 5 is a bottom view of the vinyl fence rail shown in FIG. 1.

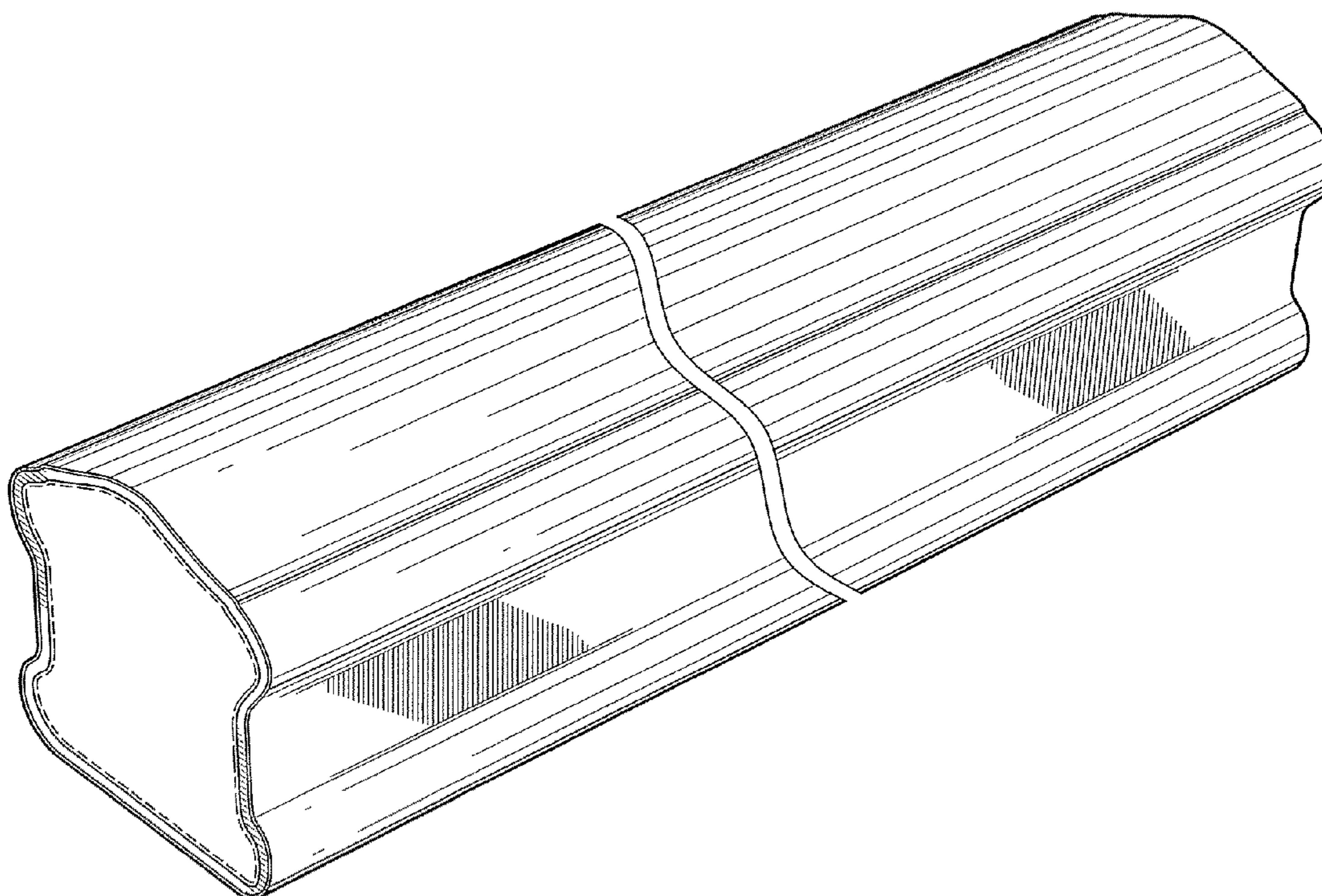
The vinyl fence rail has been broken in the center indicating indefinite length. The broken lines are for illustrative purposes only and form no part of the claimed design.

(56) **References Cited**

U.S. PATENT DOCUMENTS

2,855,227	A *	10/1958	Bottom	403/119
D200,702	S *	3/1965	Huret	D25/121
3,522,933	A *	8/1970	Braun	256/22
3,529,808	A *	9/1970	Siebers	256/65.08
3,942,763	A *	3/1976	Helterbrand et al.	256/22
5,187,912	A *	2/1993	Hsueh	52/36.5
D415,287	S *	10/1999	Davis	D25/38
D461,914	S *	8/2002	Hughes et al.	D25/122
D471,284	S *	3/2003	Heath	D25/38

1 Claim, 5 Drawing Sheets



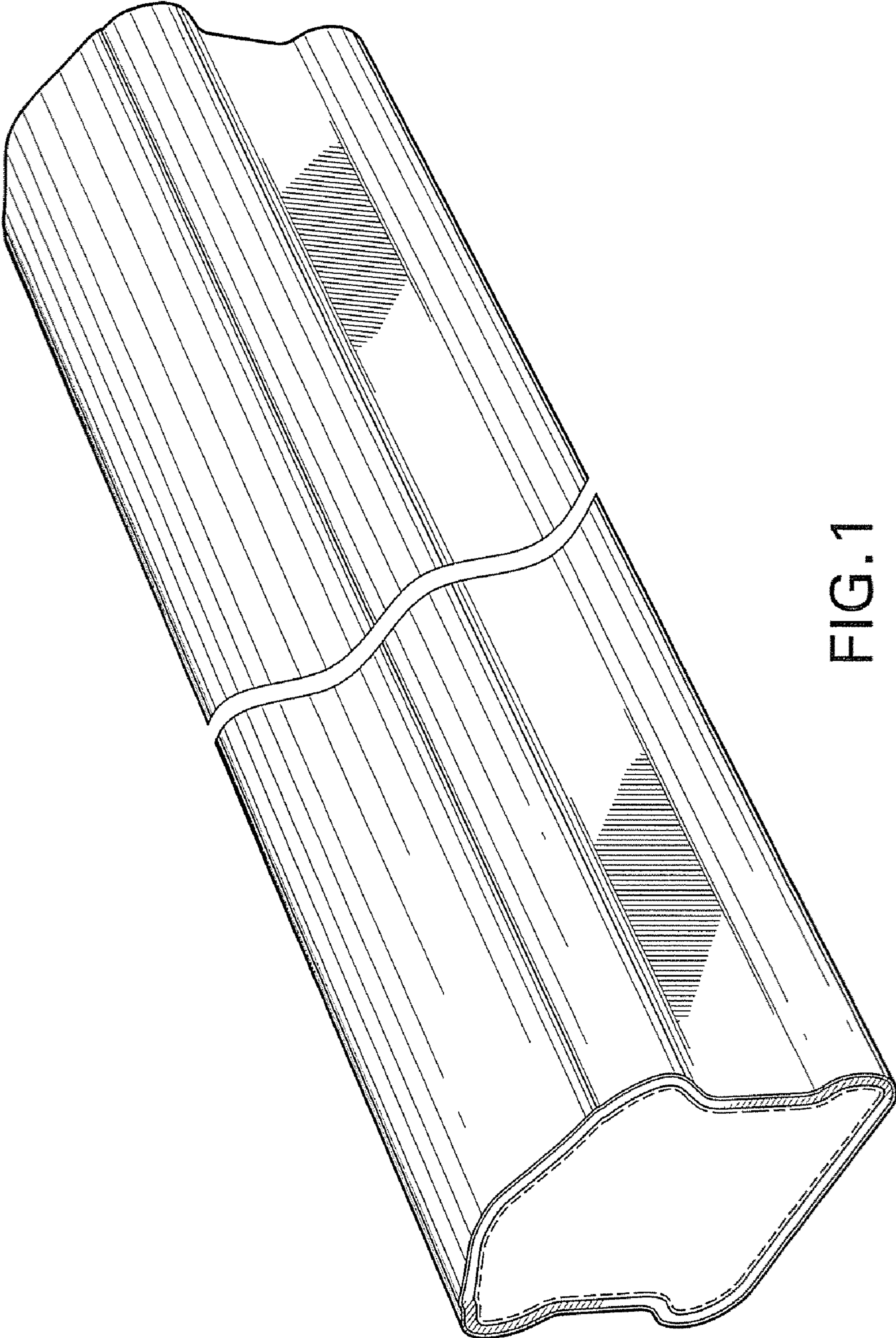


FIG. 1

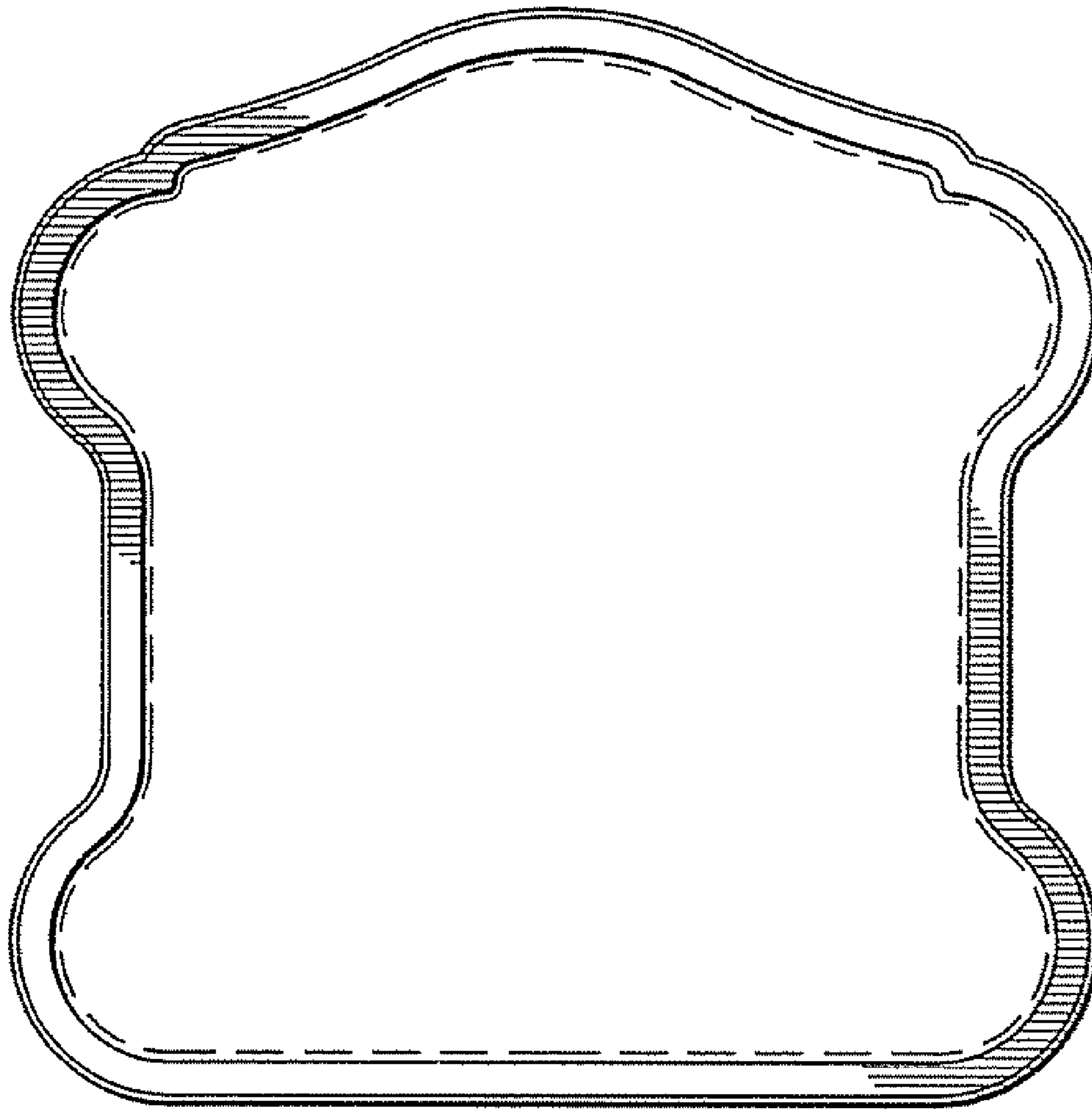


FIG. 2

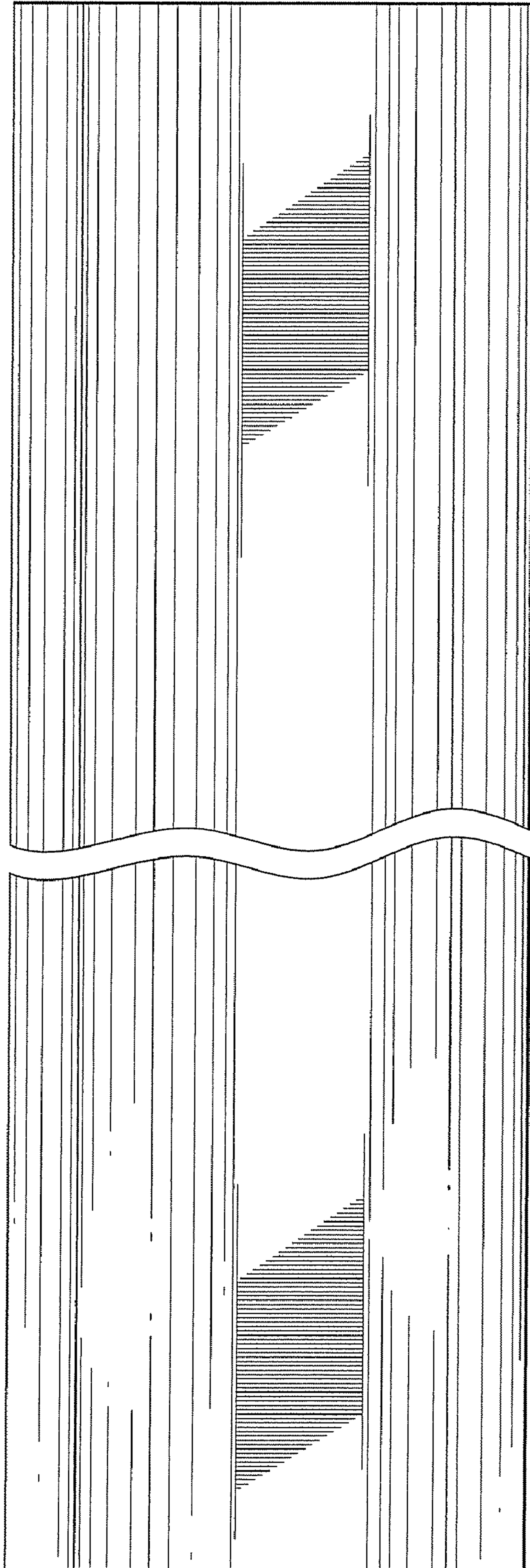


FIG. 3

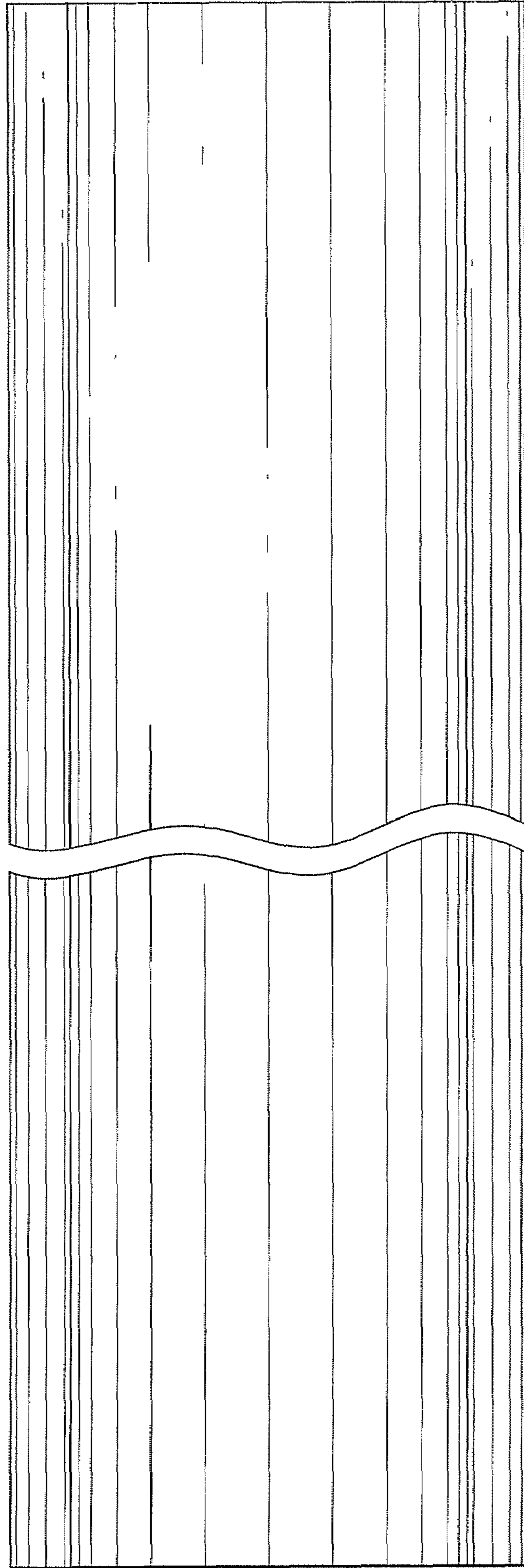


FIG.4

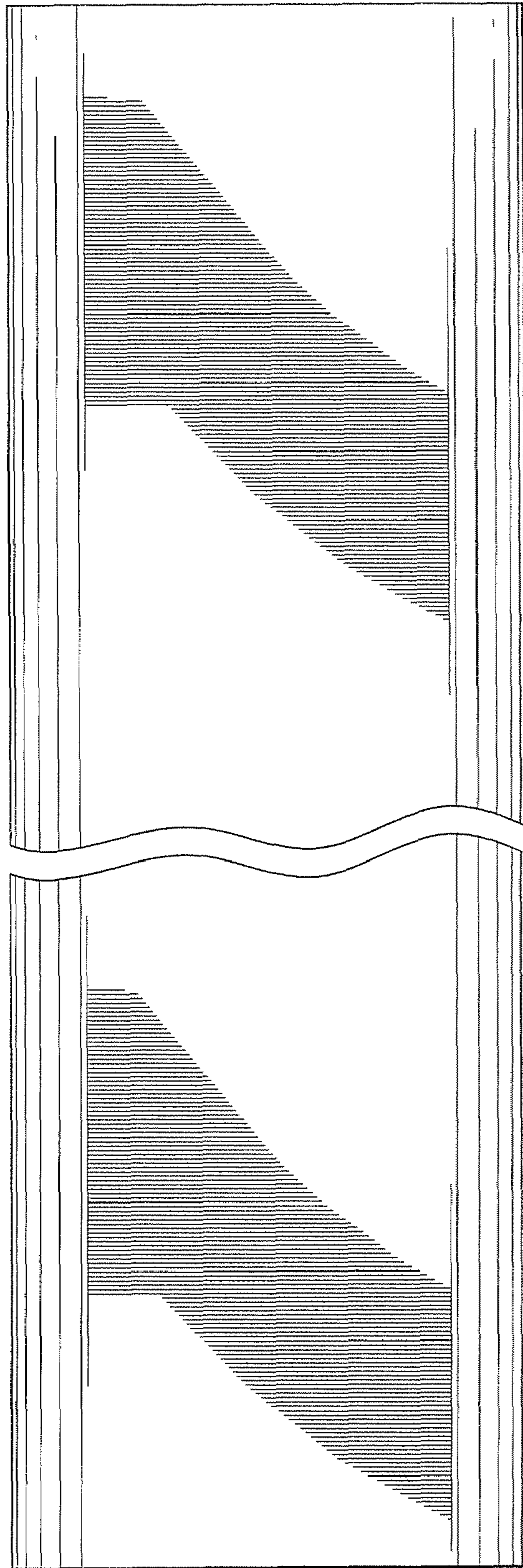


FIG.5