



US00D552754S

(12) **United States Design Patent**  
**Husebø**

(10) **Patent No.:** **US D552,754 S**

(45) **Date of Patent:** **\*\* Oct. 9, 2007**

(54) **UNIVERSAL MOUNTING COLLAR FOR SCAFFOLDING**

5,207,527 A \* 5/1993 Duncan et al. .... 403/246  
D459,483 S \* 6/2002 Roy ..... D25/68  
7,051,838 B1 \* 5/2006 Torrey ..... 182/82

(75) Inventor: **Martin Husebø**, Stavanger (NO)

\* cited by examiner

(73) Assignee: **Alustar AS** (NO)

*Primary Examiner*—Doris Clark

(\*\*) Term: **14 Years**

(74) *Attorney, Agent, or Firm*—Akerman Senterfitt

(21) Appl. No.: **29/254,309**

(57) **CLAIM**

(22) Filed: **Feb. 21, 2006**

I claim, the ornamental design for a universal mounting collar for scaffolding, as shown and described.

(30) **Foreign Application Priority Data**

Aug. 22, 2005 (NO) ..... 20050447

**DESCRIPTION**

(51) **LOC (8) Cl.** ..... **25-04**

FIG. 1 is a bottom perspective view of the universal mounting collar for scaffolding on an closed configuration;

(52) **U.S. Cl.** ..... **D25/68**

FIG. 2 is a top view thereof;

(58) **Field of Classification Search** ..... D25/68,  
D25/66; 182/187, 188, 186.7, 186.6; 248/236,  
248/238, 295.11; 403/249, 49

FIG. 3 is a first side view thereof;

See application file for complete search history.

FIG. 4 is a bottom view thereof;

FIG. 5 is a second side view thereof;

FIG. 6 is a third side view thereof;

FIG. 7 is a fourth side view thereof; and,

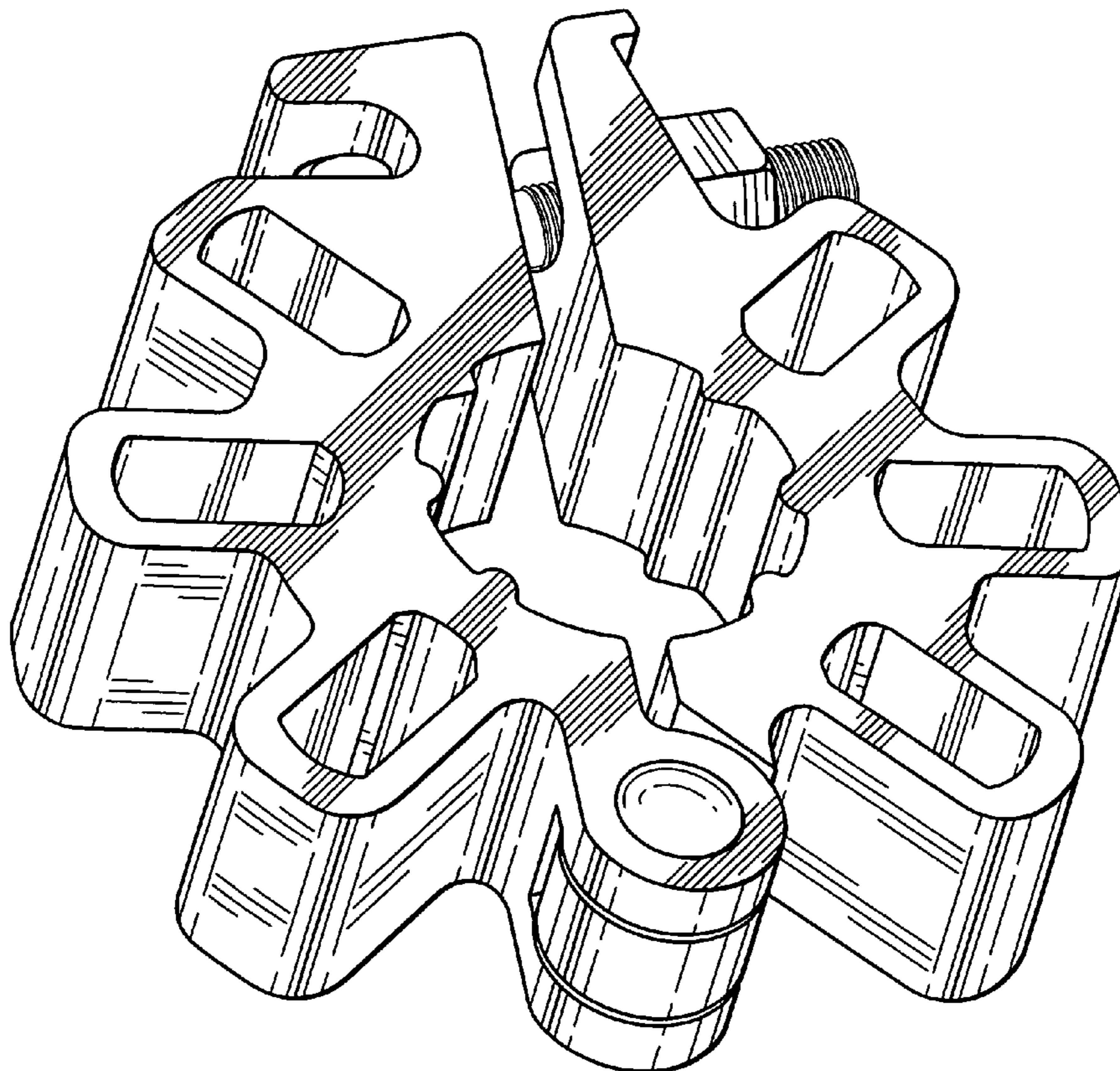
FIG. 8 is a top perspective view of the universal mounting collar for scaffolding in an open configuration.

(56) **References Cited**

**U.S. PATENT DOCUMENTS**

3,245,188 A \* 4/1966 Evans ..... 52/638  
D228,231 S \* 8/1973 Tichy ..... D8/382  
D229,822 S \* 1/1974 Born ..... D25/68  
4,549,634 A \* 10/1985 Duncan et al. .... 182/186.8

**1 Claim, 5 Drawing Sheets**



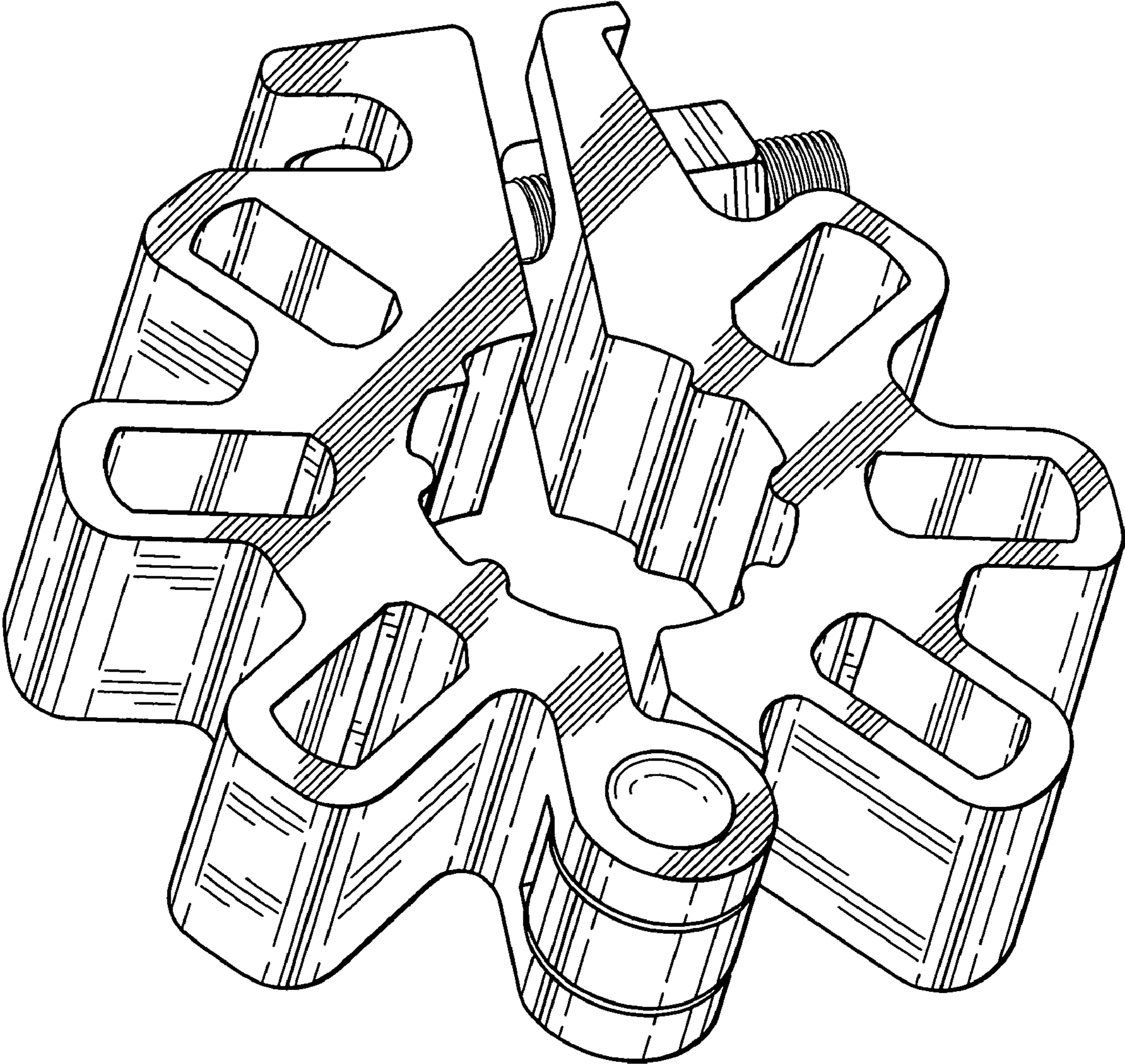


Fig. 1

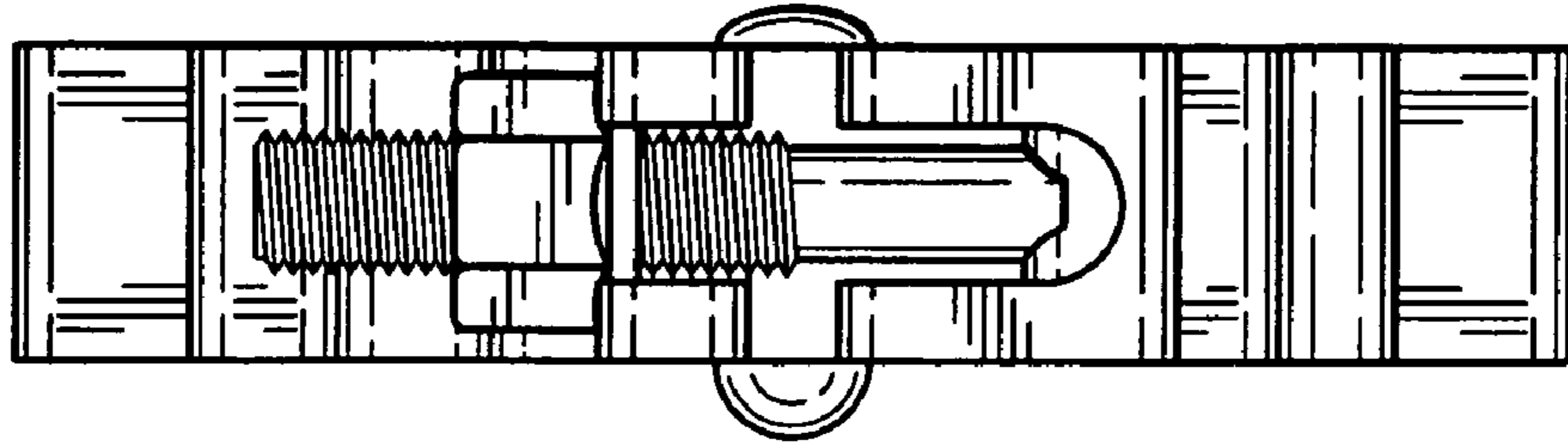


Fig. 3

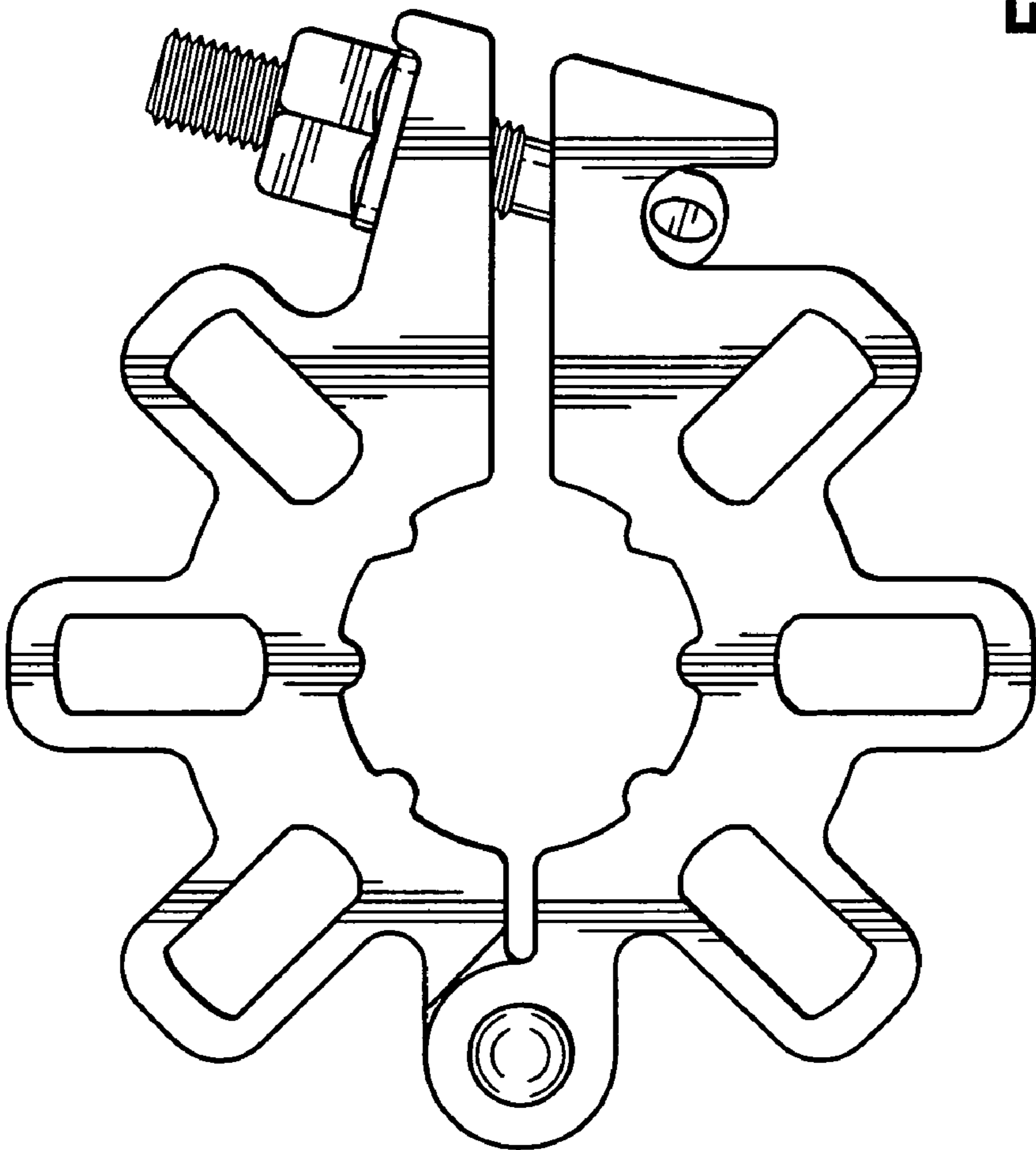


Fig. 2

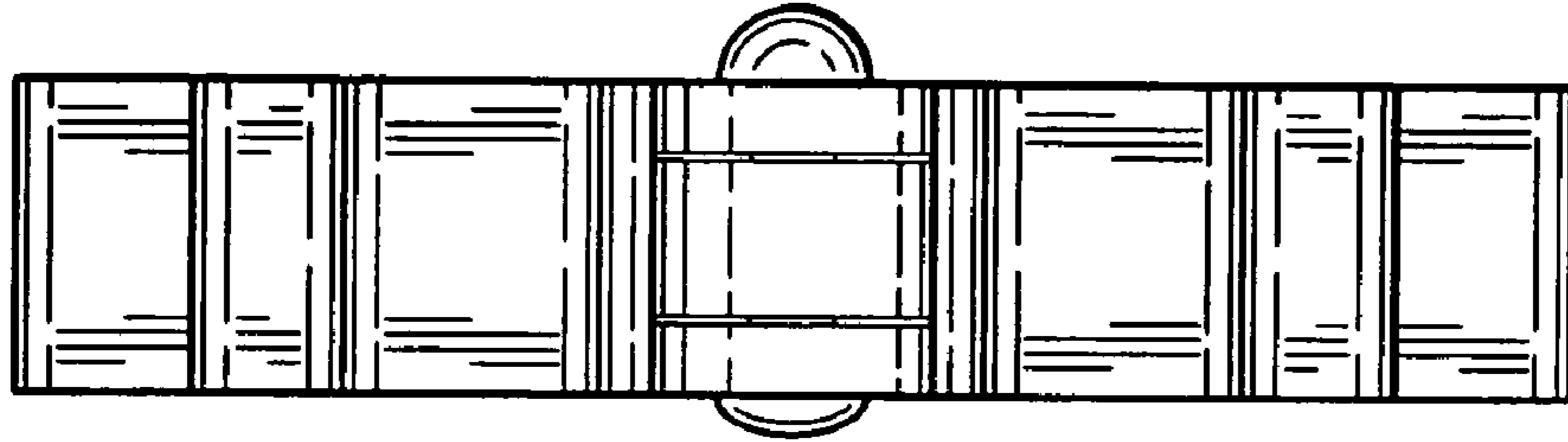


Fig. 5

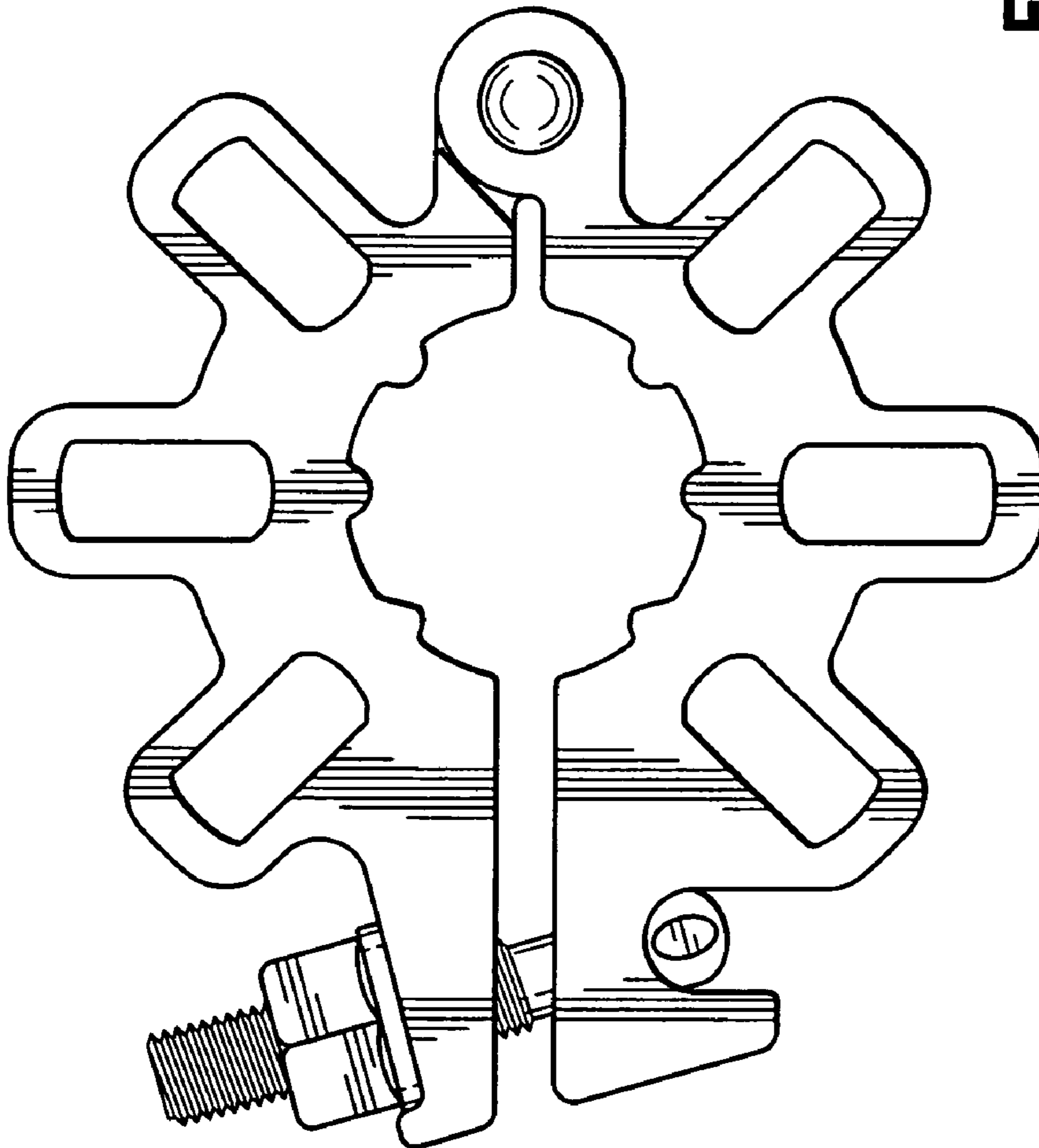
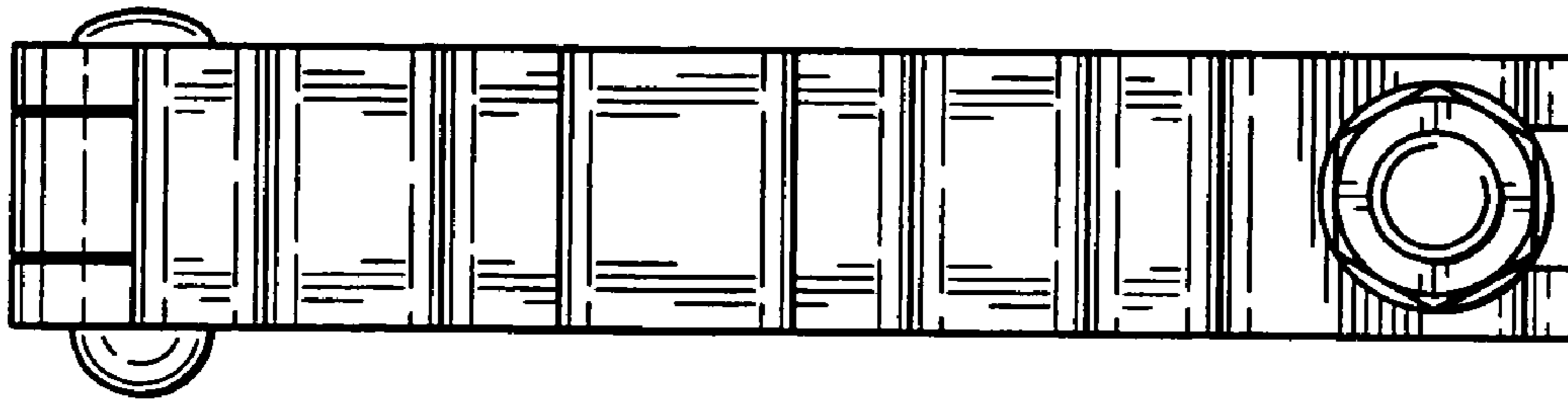
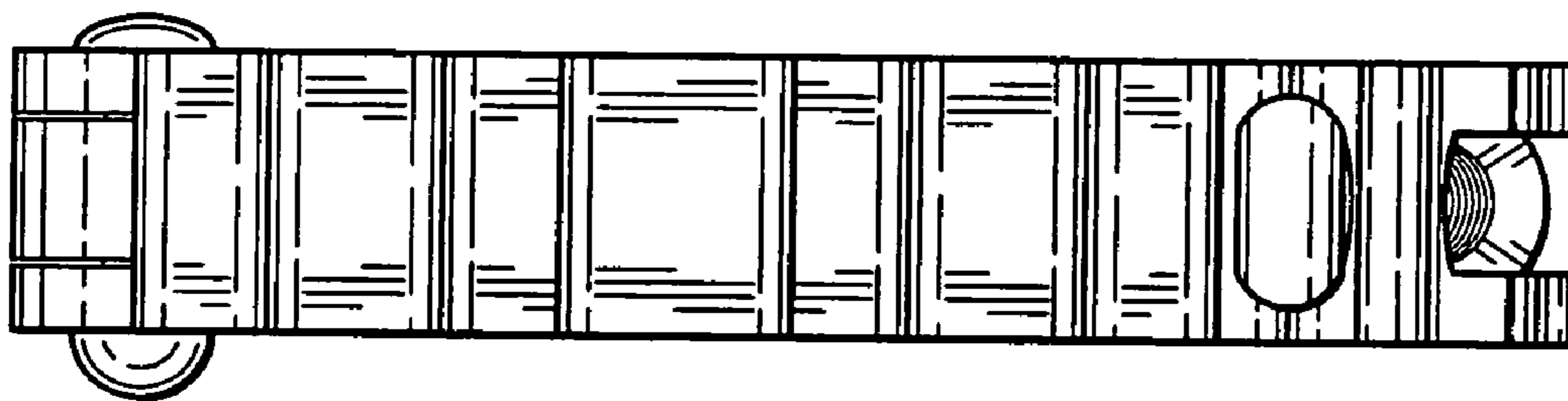


Fig. 4



**Fig. 6**



**Fig. 7**

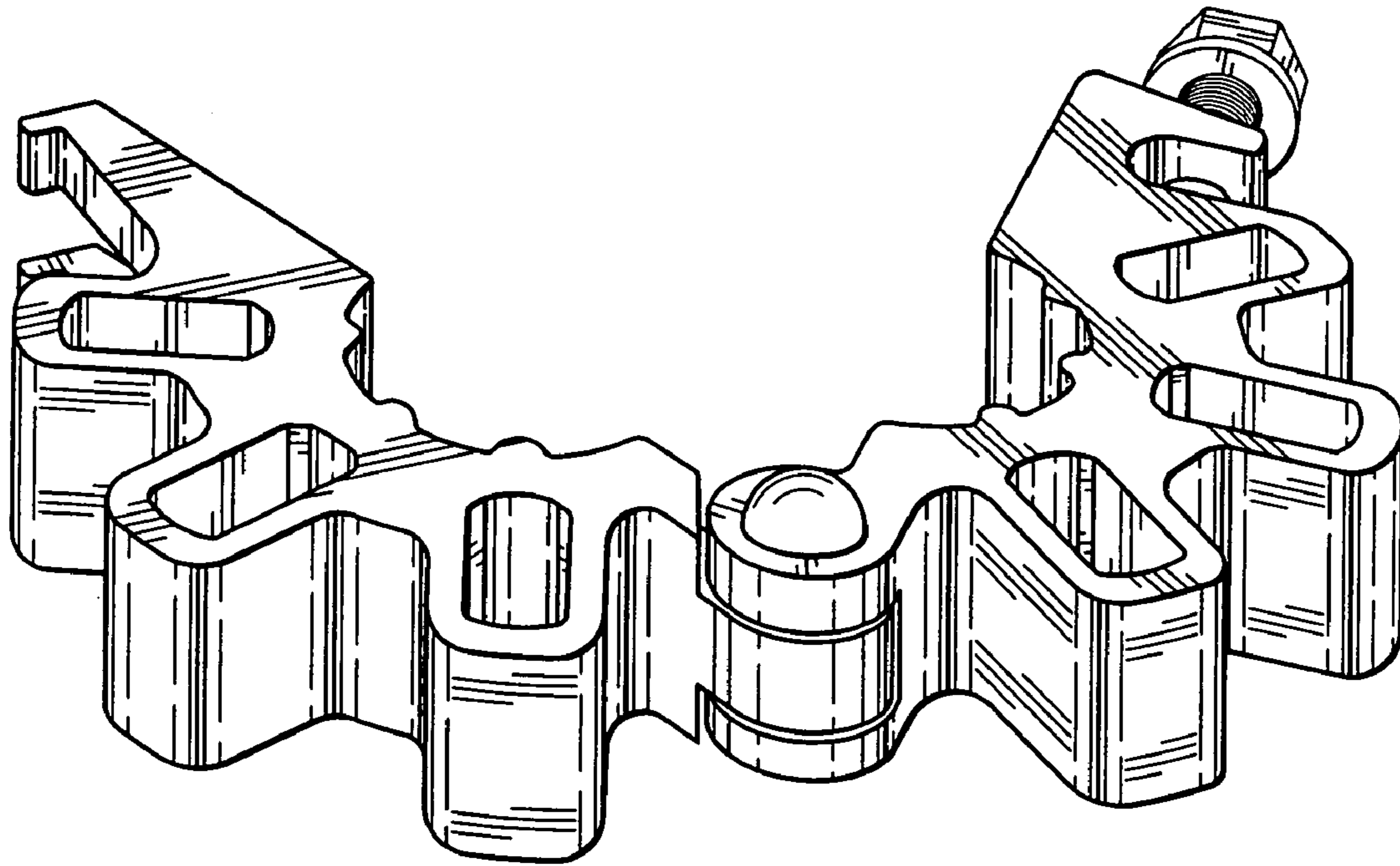


Fig. 8