



US00D552753S

(12) **United States Design Patent**  
**Pagryzinski et al.**

(10) **Patent No.:** **US D552,753 S**

(45) **Date of Patent:** **\*\* Oct. 9, 2007**

(54) **FENESTRATION GLASS ARTICLE**

(75) Inventors: **William V. Pagryzinski**, Fort Wayne, IN (US); **John E. Nemazi**, Bloomfield Hills, MI (US)

(73) Assignee: **TT Technologies**, Maumee, OH (US)

(\*\*) Term: **14 Years**

(21) Appl. No.: **29/221,791**

(22) Filed: **Jan. 19, 2005**

(51) **LOC (8) Cl.** ..... **25-02**

(52) **U.S. Cl.** ..... **D25/52**

(58) **Field of Classification Search** ..... D25/52;  
52/204.55, 204.591, 204.593, 204.6, 204.61,  
52/204.69, 204.62, 204.63, 204.7, 764, 772  
See application file for complete search history.

(56) **References Cited**

**U.S. PATENT DOCUMENTS**

4,720,951 A	1/1988	Thorn et al.	
5,453,339 A	9/1995	Frost et al.	
D363,557 S *	10/1995	Lindgren et al. ....	D25/52
RE35,392 E	12/1996	Richardson et al.	
5,653,073 A *	8/1997	Palmer .....	52/204.593
D401,351 S *	11/1998	Miyoshi et al. ....	D25/52
5,921,037 A *	7/1999	Minter .....	52/204.5
D435,667 S *	12/2000	Fisher .....	D25/52
6,598,426 B2	7/2003	Vandal et al.	
6,701,749 B2	3/2004	Wang et al.	
6,807,778 B2 *	10/2004	Engebretson .....	52/204.59
RE39,044 E	3/2006	Ross	

**OTHER PUBLICATIONS**

Engelhard, Enamel P50004 in UV-198, Black Obscuration Enamel for Laminated Glass, Brochure, Aug. 2004.  
Photographs of Various Automobile Glass Blackout Patterns photos dated 2006, 1997, 1999, 2002.

\* cited by examiner

*Primary Examiner*—Doris Clark

(74) *Attorney, Agent, or Firm*—Calfee, Halter & Griswold LLP

(57) **CLAIM**

The ornamental design for a fenestration glass article, as shown and described.

**DESCRIPTION**

FIG. 1 is a perspective view showing a fragmented corner of a fenestration glass article;

FIG. 2 is a front elevational view of the embodiment of FIG. 1;

FIG. 3 is a side elevational view of the embodiment of FIG. 1;

FIG. 4 is a front fragmented corner elevation view of a fenestration glass article;

FIG. 5 is a side elevational view of the glass panel in FIG. 4;

FIG. 6 is a front fragmentary view of a corner of a rectangular glass panel depicting a third embodiment of our fenestration product invention;

FIG. 7 is a side elevational view of the glass panel of FIG. 6;

FIG. 8 is a front fragmentary view of a corner of a rectangular glass panel depicting a fourth embodiment of our fenestration product invention;

FIG. 9 is a side elevational view of the glass panel of FIG. 8;

FIG. 10 is a front fragmentary view of a corner of a rectangular glass panel depicting a fifth embodiment of our fenestration product invention;

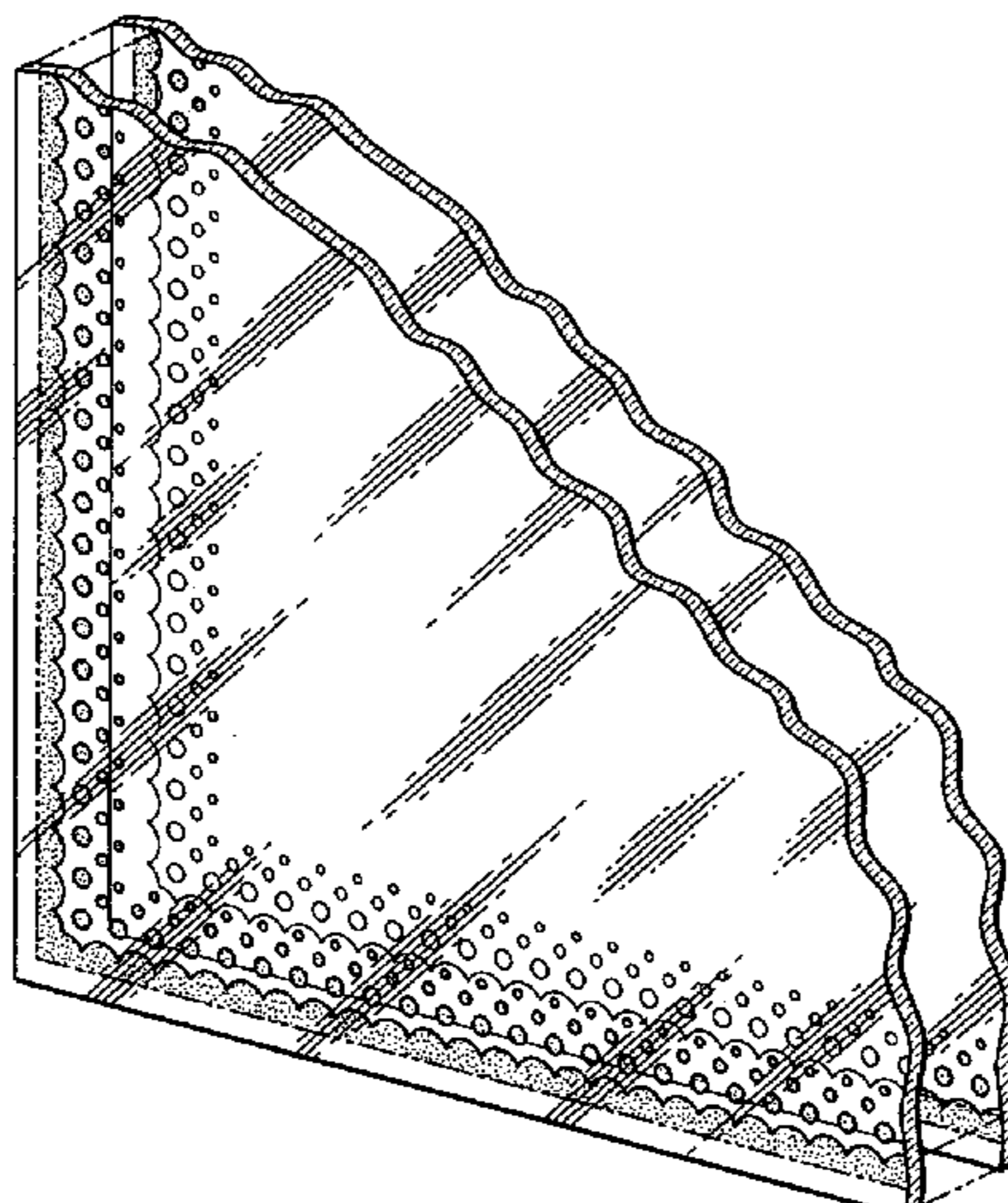
FIG. 11 is a side elevational view of the glass panel of FIG. 10;

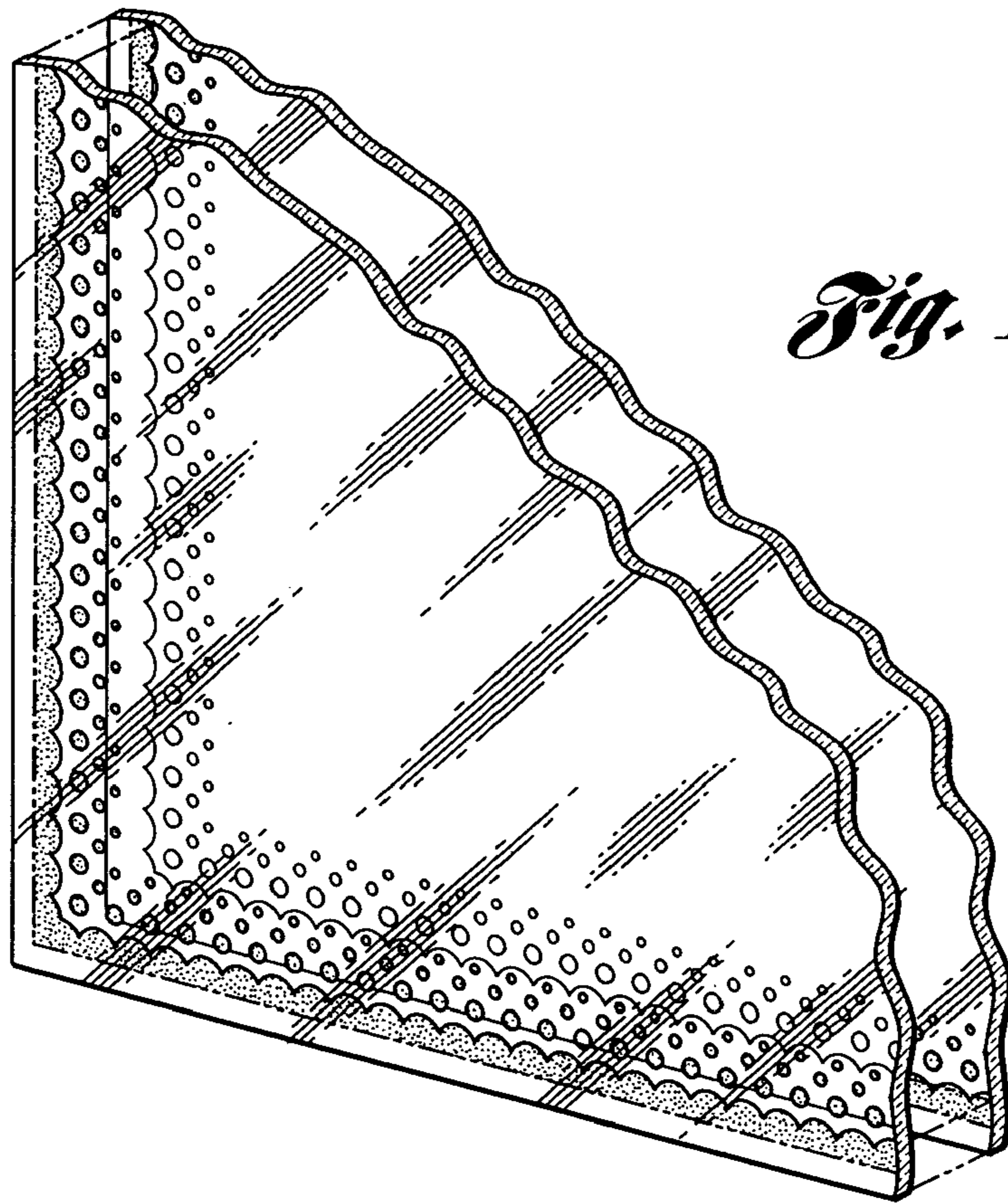
FIG. 12 is a front fragmentary view of a corner of a rectangular glass panel depicting a sixth embodiment of our fenestration product invention; and,

FIG. 13 is a side elevational view of the glass panel of FIG. 12.

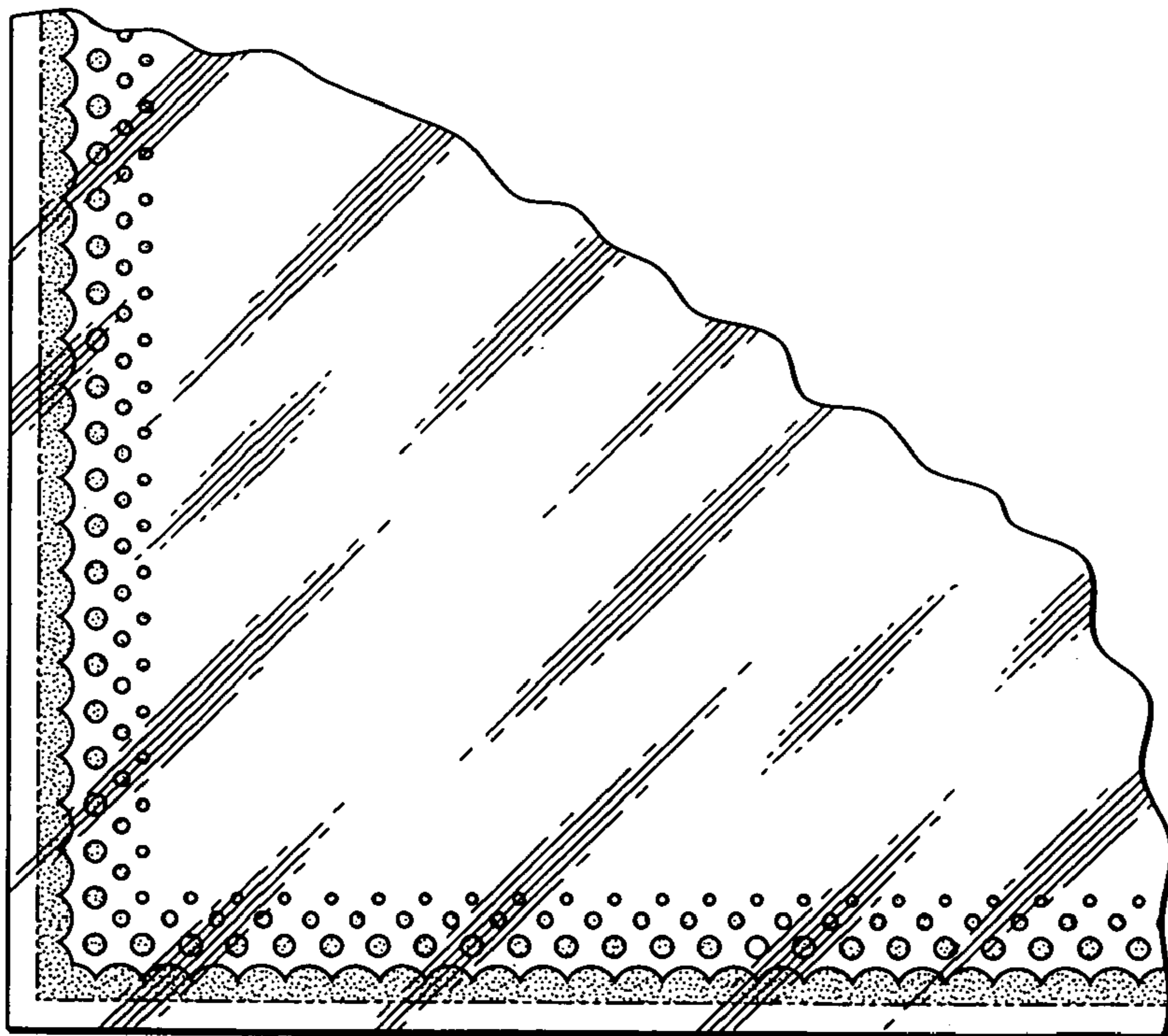
The broken lines are for illustrative purposes only and form no part of the claimed design.

**1 Claim, 4 Drawing Sheets**

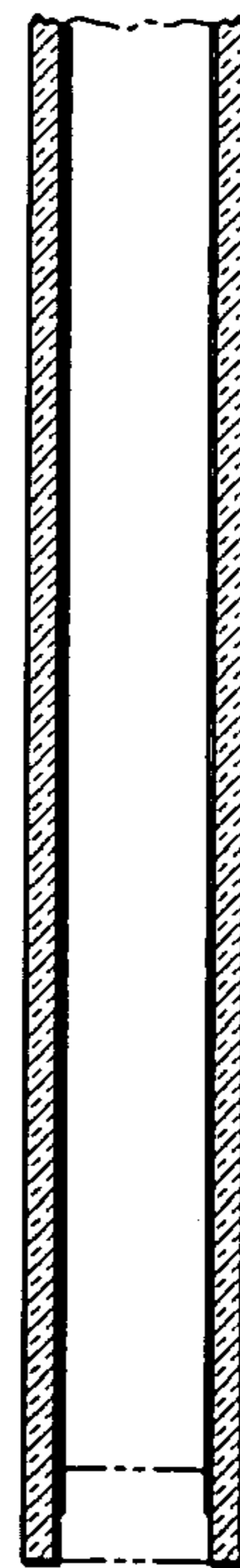




*Fig. 1*

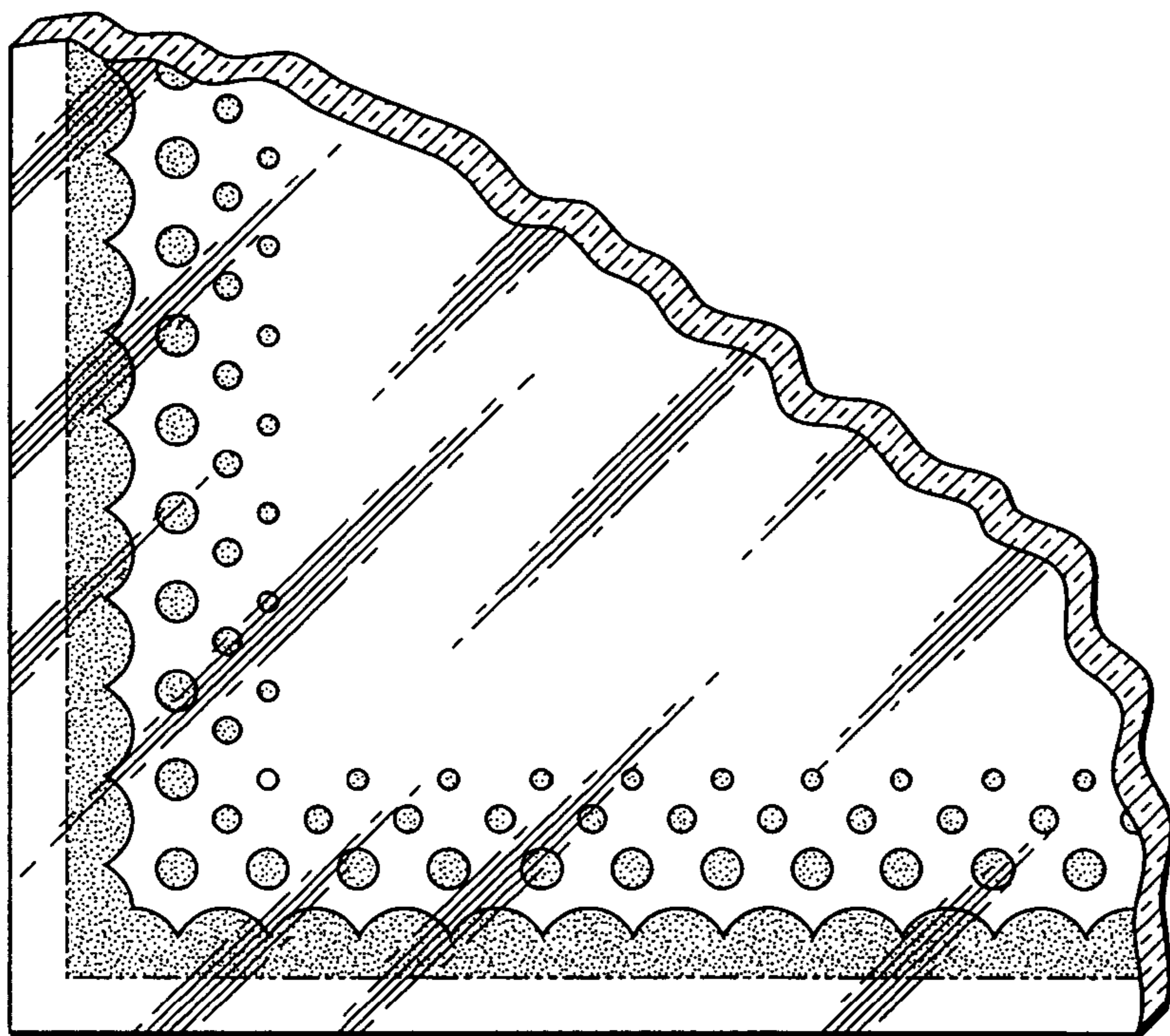


*Fig. 2*



*Fig. 3*

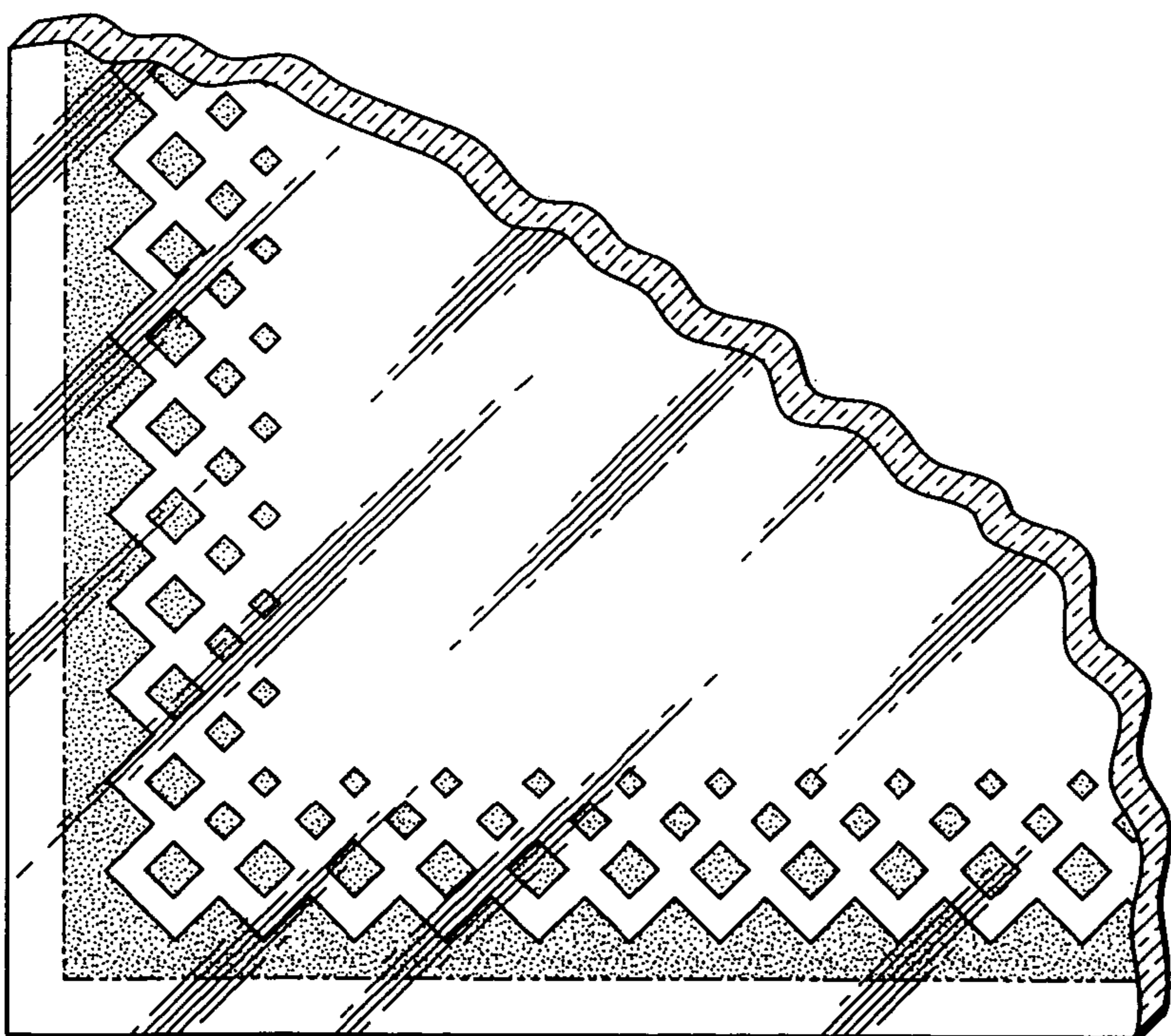




*Fig. 4*



*Fig. 5*

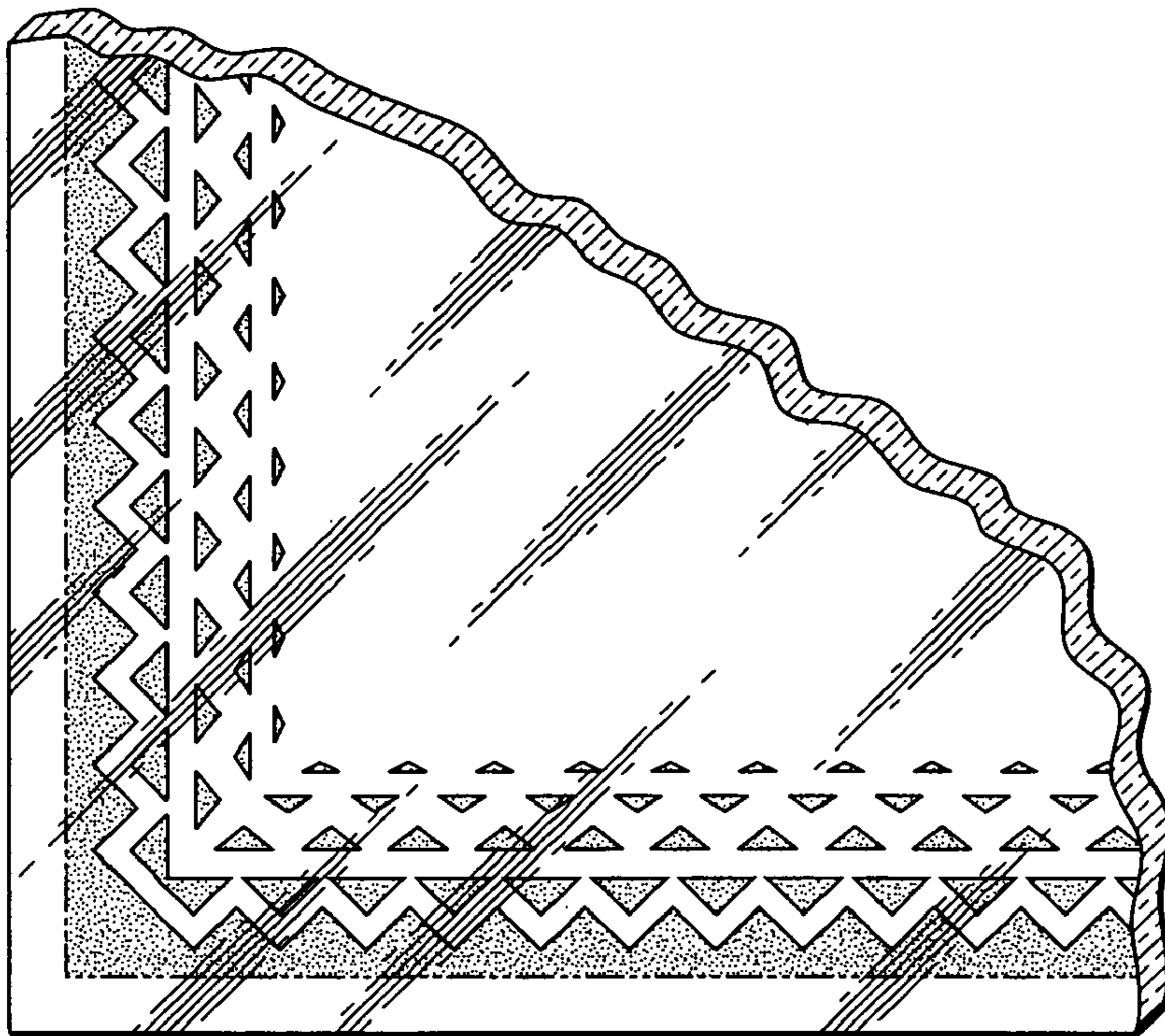


*Fig. 6*



*Fig. 7*

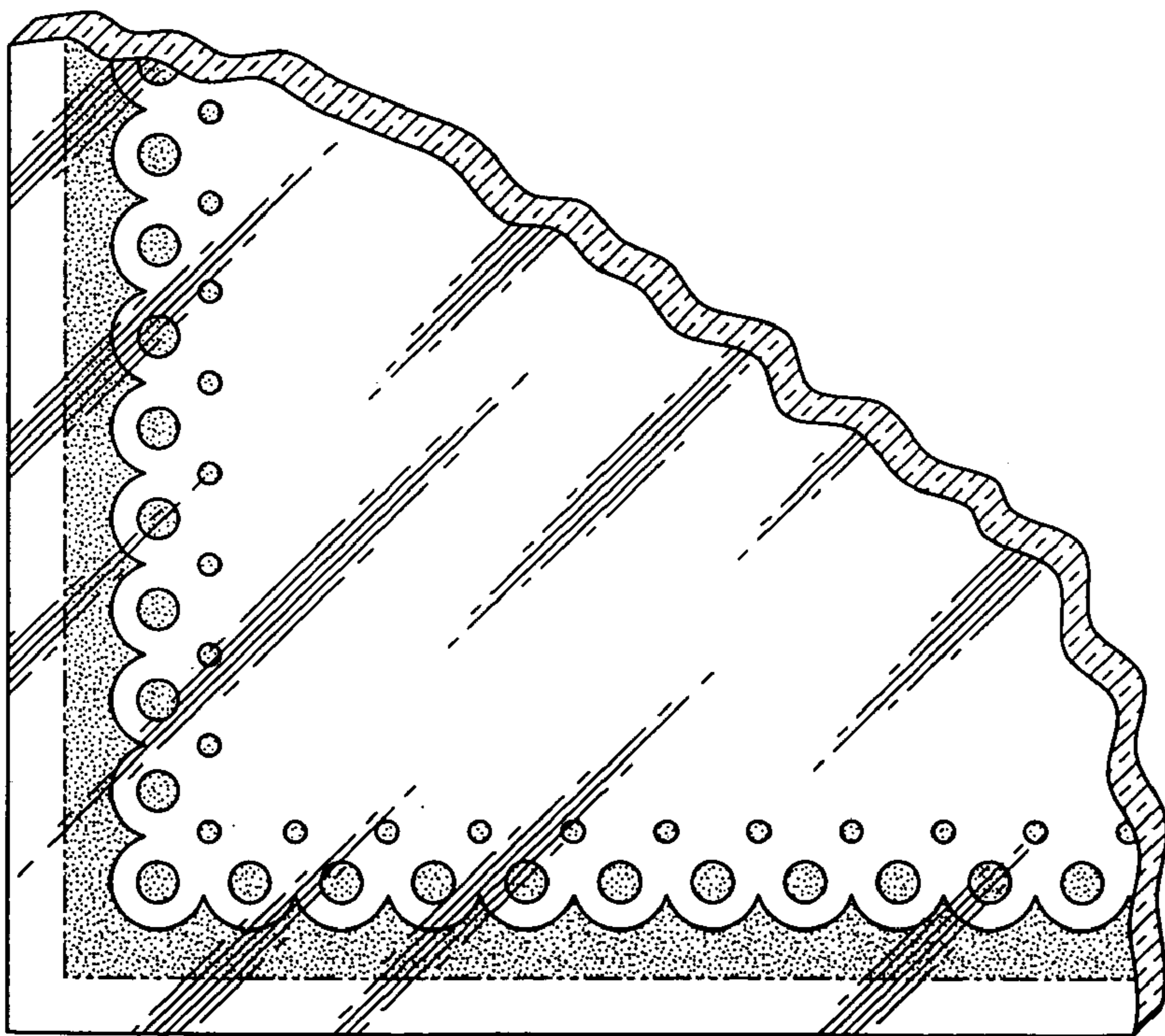




*Fig. 8*



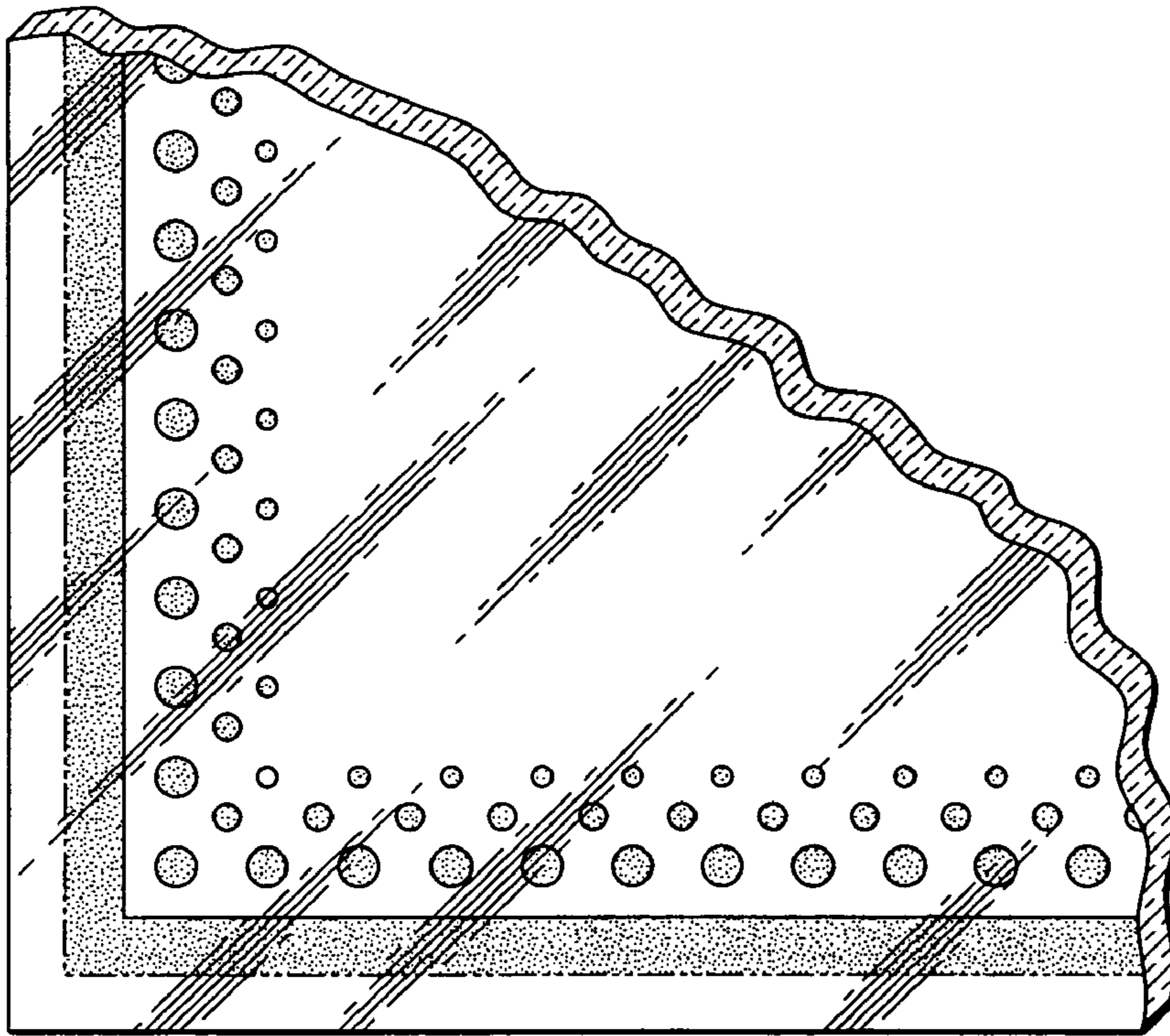
*Fig. 9*



*Fig. 10*



*Fig. 11*



*Fig. 12*



*Fig. 13*