



US00D552751S

(12) **United States Design Patent**  
**Van Buskirk**

(10) **Patent No.:** **US D552,751 S**

(45) **Date of Patent:** **\*\* Oct. 9, 2007**

(54) **MODULAR CORRAL COMPONENT**

(76) **Inventor:** **Glen Van Buskirk**, 29300 Palomares Rd., Castro Valley, CA (US) 94552

(\*\*) **Term:** **14 Years**

(21) **Appl. No.:** **29/263,024**

(22) **Filed:** **Jul. 17, 2006**

(51) **LOC (8) Cl.** ..... **25-02**

(52) **U.S. Cl.** ..... **D25/38**

(58) **Field of Classification Search** ..... D25/38,  
D25/39, 50; 256/1, 19, 24, 25, 73, DIG. 2;  
119/516, 524, 416, 512, 514

See application file for complete search history.

(56) **References Cited**

**U.S. PATENT DOCUMENTS**

256,661	A	4/1882	Tarragon	
354,408	A	12/1886	Gordon	
795,503	A	7/1905	Garethun	
2,678,629	A	5/1954	Meyer	
3,726,256	A	4/1973	Bernhardt	
3,741,529	A	6/1973	Blagg	
4,007,919	A	2/1977	Totten	
4,062,322	A *	12/1977	Dormehl	119/524
4,067,547	A	1/1978	Peters	
D247,751	S	4/1978	Appleby	
4,244,324	A *	1/1981	Kratky	119/524
5,609,327	A *	3/1997	Amidon	256/24
6,244,221	B1 *	6/2001	Kleinsasser	119/524
6,349,924	B1	2/2002	Studebaker	
D474,282	S *	5/2003	Miller et al.	D25/50

6,595,496	B1	7/2003	Langlie	
D485,619	S *	1/2004	Hofer	D25/38
2002/0162994	A1	11/2002	Landie	
2003/0222253	A1	12/2003	Landie	

\* cited by examiner

*Primary Examiner*—Doris Clark

(74) *Attorney, Agent, or Firm*—John Karl Buche

(57) **CLAIM**

I claim, the ornamental design for a modular corral component, as shown and described.

**DESCRIPTION**

FIG. 1 is an exploded front perspective view of the modular corral component.

FIG. 2 is a front view of the modular corral component of FIG. 1.

FIG. 3 is a rear view of the modular corral component of FIG. 1.

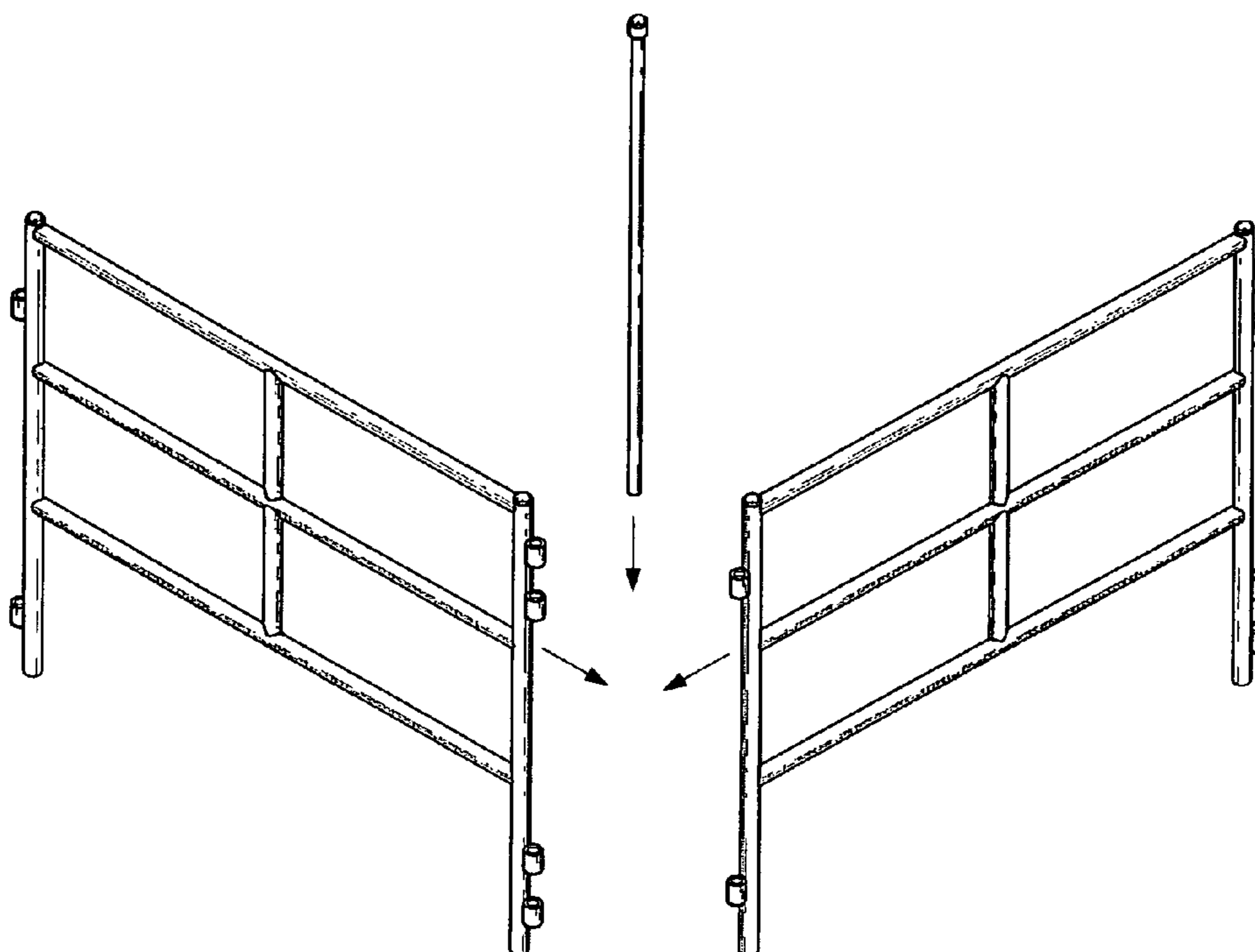
FIG. 4 is a top plan view of the modular corral component shown in FIG. 1.

FIG. 5 is a bottom plan view of the modular corral component shown in FIG. 1.

FIG. 6 is a lengthwise end view of the modular corral component of FIG. 1; and,

FIG. 7 is a lengthwise end view of the modular corral component of FIG. 1.

**1 Claim, 2 Drawing Sheets**



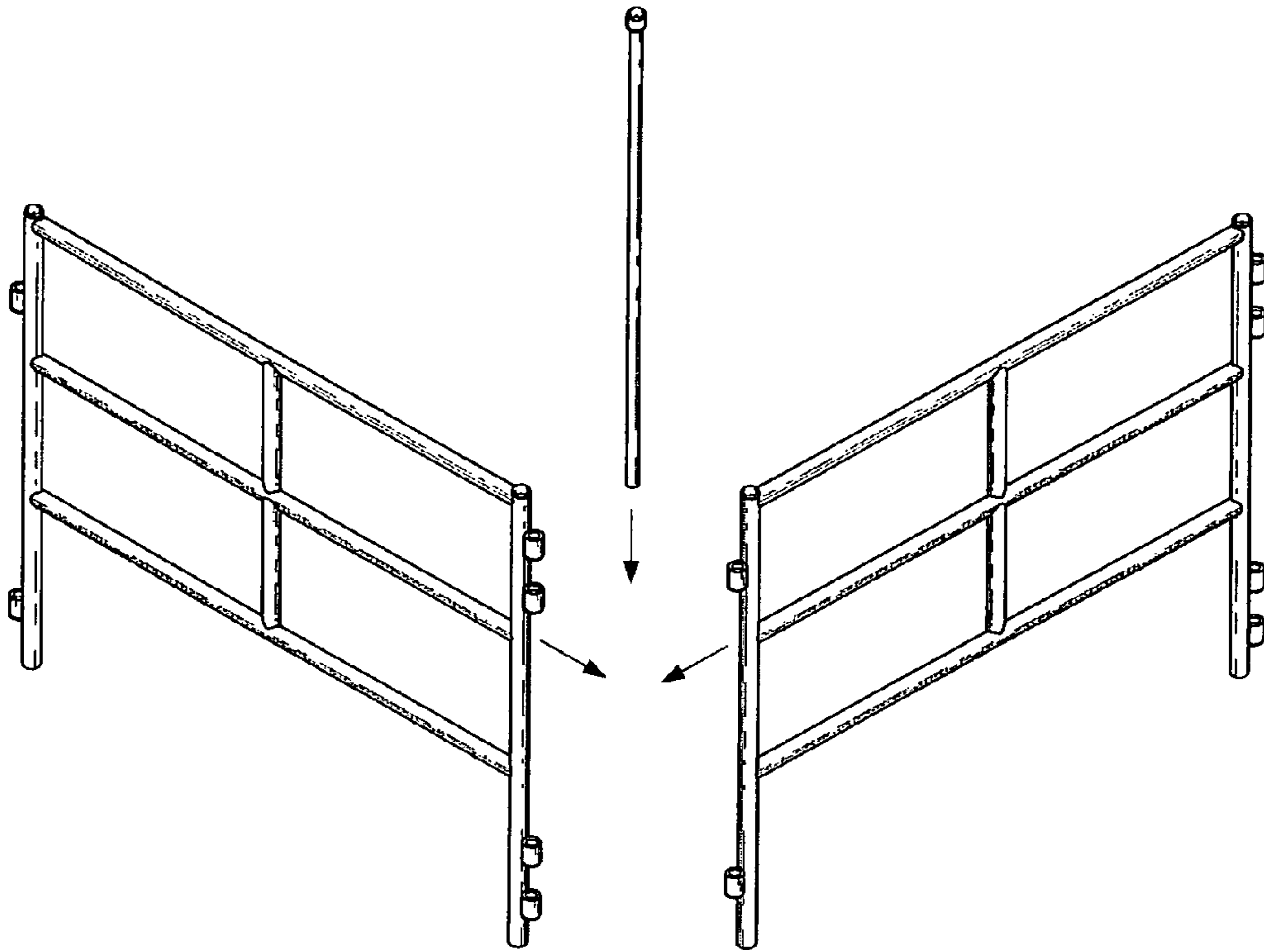


FIG. 1

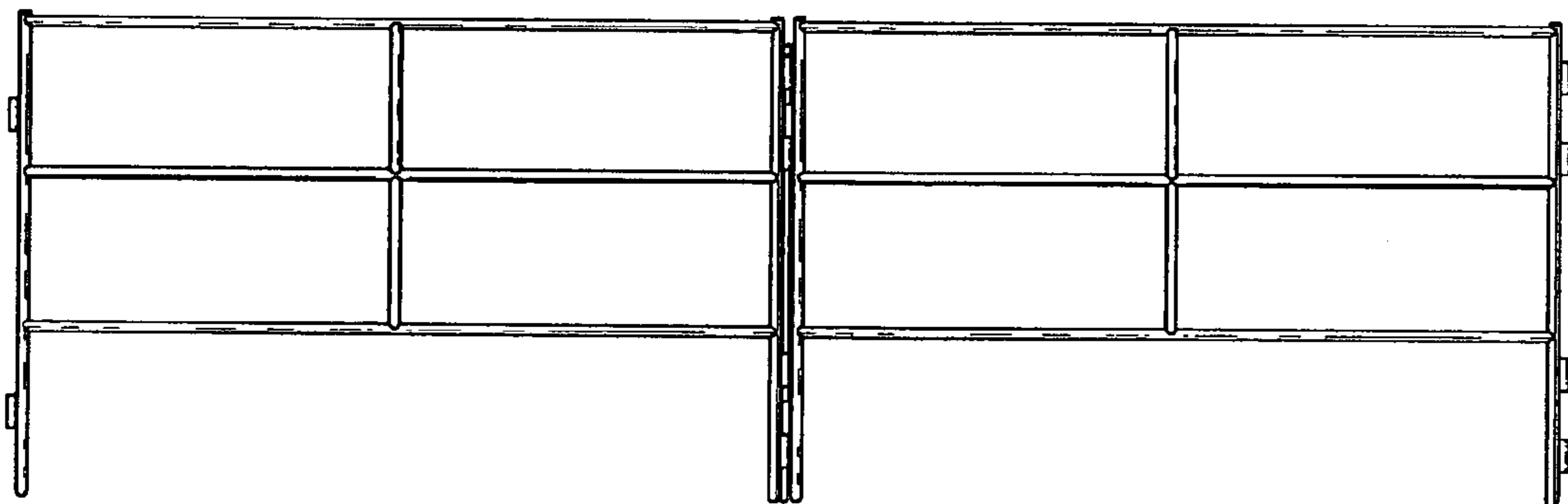
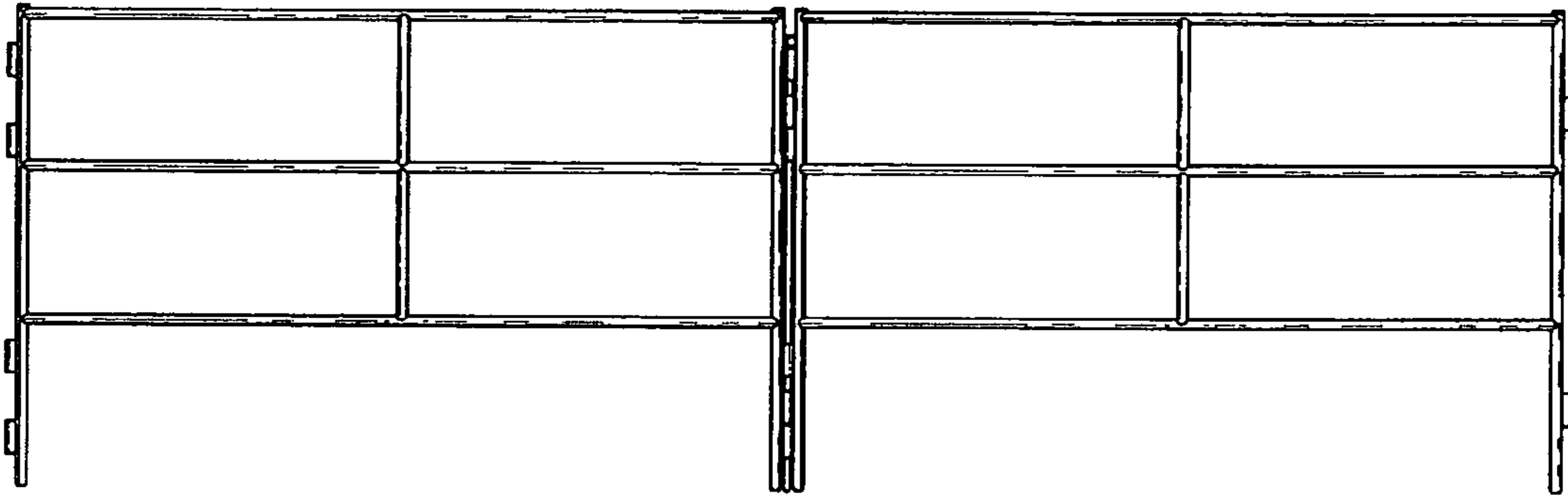


FIG. 2



**FIG. 3**



**FIG. 4**



**FIG. 5**



**FIG. 6**



**FIG. 7**