



US00D552748S

(12) **United States Design Patent**
Gromosaik et al.

(10) **Patent No.:** **US D552,748 S**

(45) **Date of Patent:** **** Oct. 9, 2007**

(54) **VIBRATING RING**

(75) Inventors: **Mark V. Gromosaik**, East Windsor, NJ (US); **Jason Kieke**, Freehold, NJ (US); **Bruce Richard Weiss**, Manalapan, NJ (US); **Jesse Adams**, Seattle, WA (US)

(73) Assignee: **Church & Dwight Co., Inc.**, Princeton, NJ (US)

(**) Term: **14 Years**

(21) Appl. No.: **29/249,853**

(22) Filed: **Oct. 24, 2006**

(51) **LOC (8) Cl.** **28-03**

(52) **U.S. Cl.** **D24/215; D11/26**

(58) **Field of Classification Search** D24/105, D24/143, 215; 601/69, 70, 79; 128/842, 128/844, 918; D11/26; 63/15, 15.1-15.4; 600/38, 39

See application file for complete search history.

(56) **References Cited**

U.S. PATENT DOCUMENTS

D463,751 S * 10/2002 Wilkinson D11/3
6,490,885 B1 * 12/2002 Wilkinson 63/1.11
D496,458 S * 9/2004 Lin D24/143

6,790,189 B2 * 9/2004 Kobayashi et al. 601/70
6,907,883 B2 * 6/2005 Lin 128/844
D523,958 S * 6/2006 Fang D24/143
2005/0155609 A1 * 7/2005 Lin 128/844
2005/0283044 A1 * 12/2005 Chang 600/38
2006/0178602 A1 * 8/2006 Teng et al. 601/70
2007/0038019 A1 * 2/2007 Weng 600/38

* cited by examiner

Primary Examiner—Alan P. Douglas

Assistant Examiner—Melanie Levy

(57) **CLAIM**

The ornamental design for vibrating ring, as shown and described.

DESCRIPTION

FIG. 1 is a front, top, left side perspective view of our vibrating ring device, showing our new design;

FIG. 2 is a top plan view thereof;

FIG. 3 is a bottom plan view thereof;

FIG. 4 is a left side elevational view thereof;

FIG. 5 is a right side elevational view thereof;

FIG. 6 is a top side, elevational view thereof; and,

FIG. 7 is a bottom side, elevational view thereof.

1 Claim, 2 Drawing Sheets

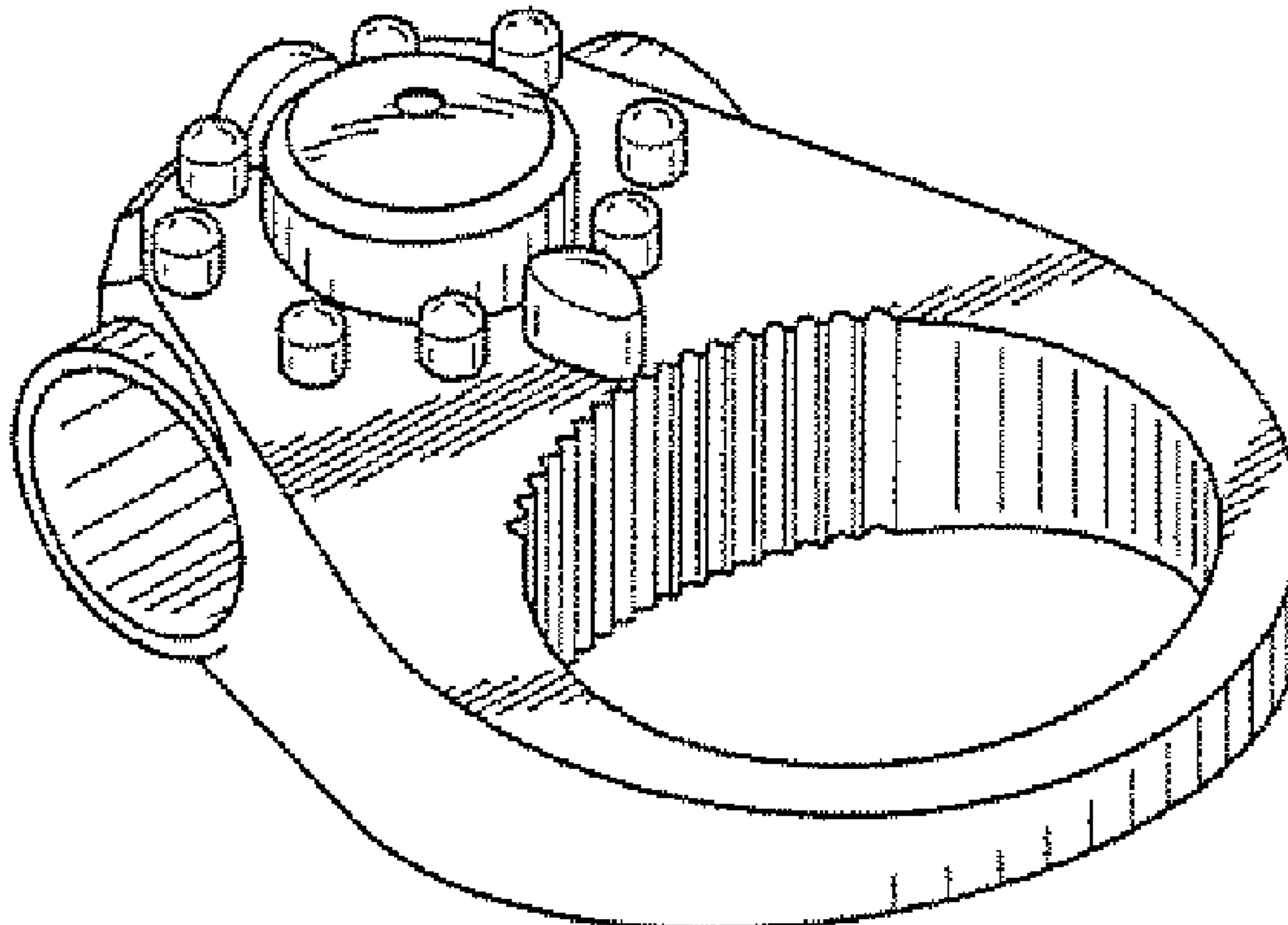


Fig. 1

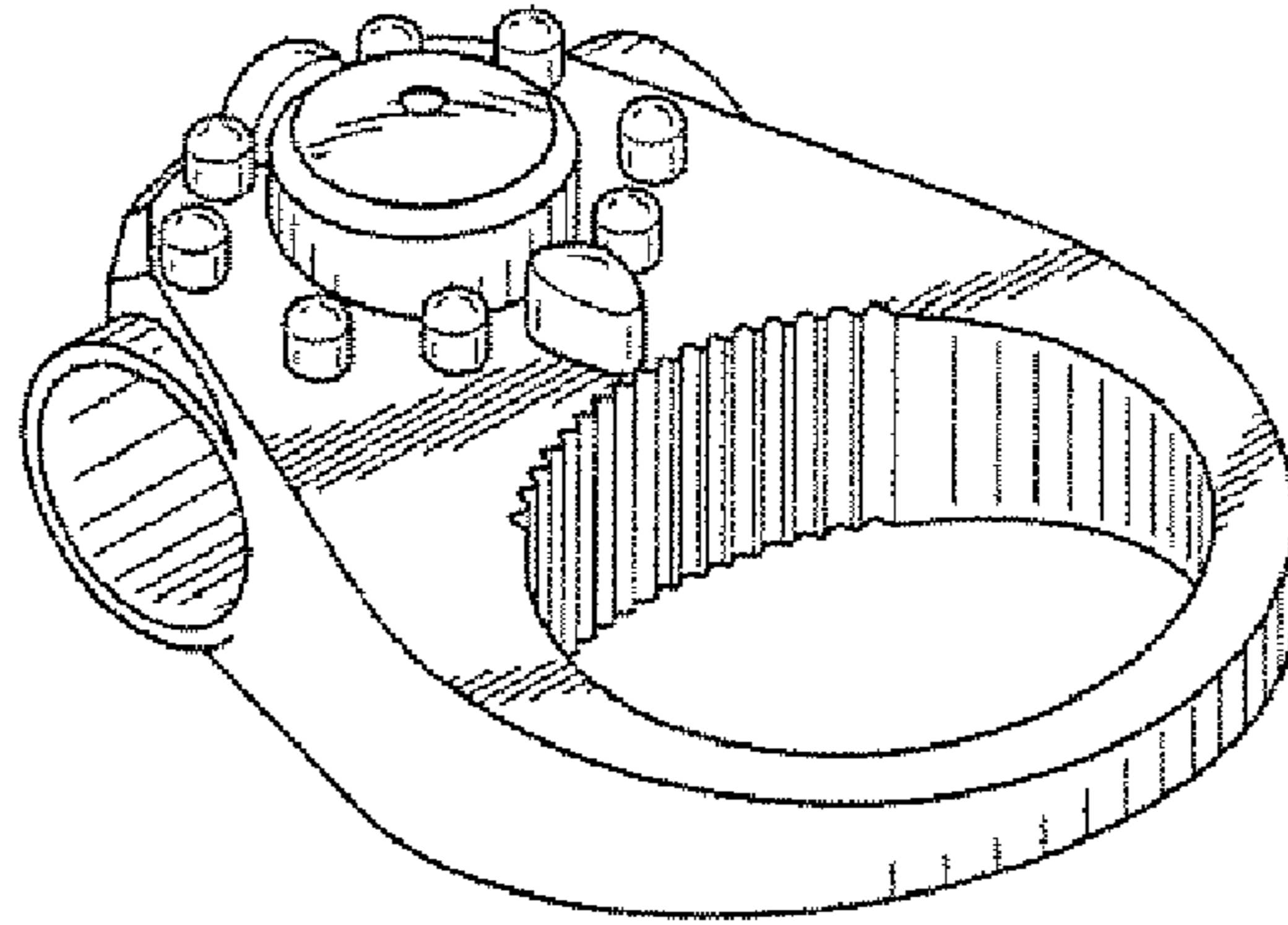


Fig. 2

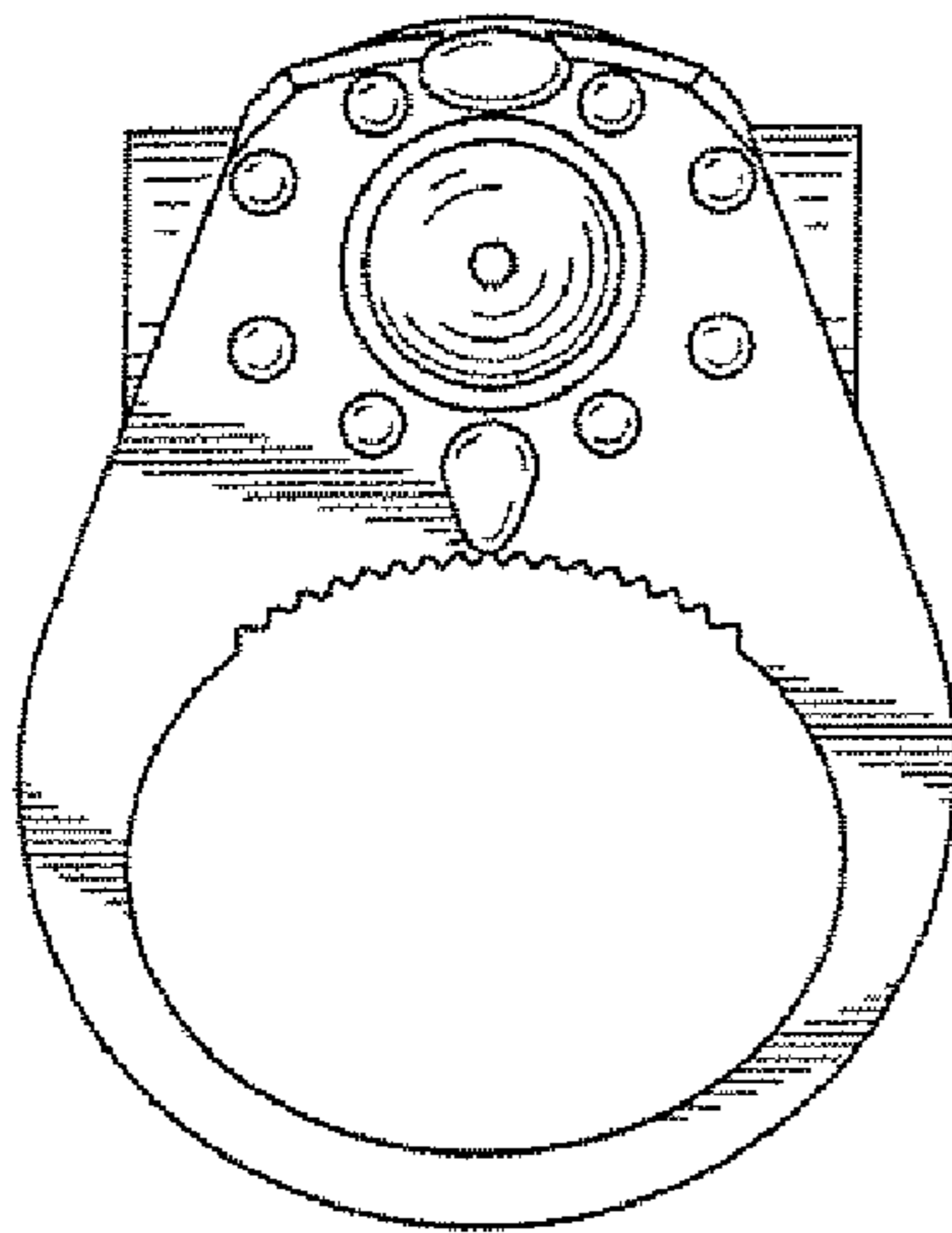


Fig. 3

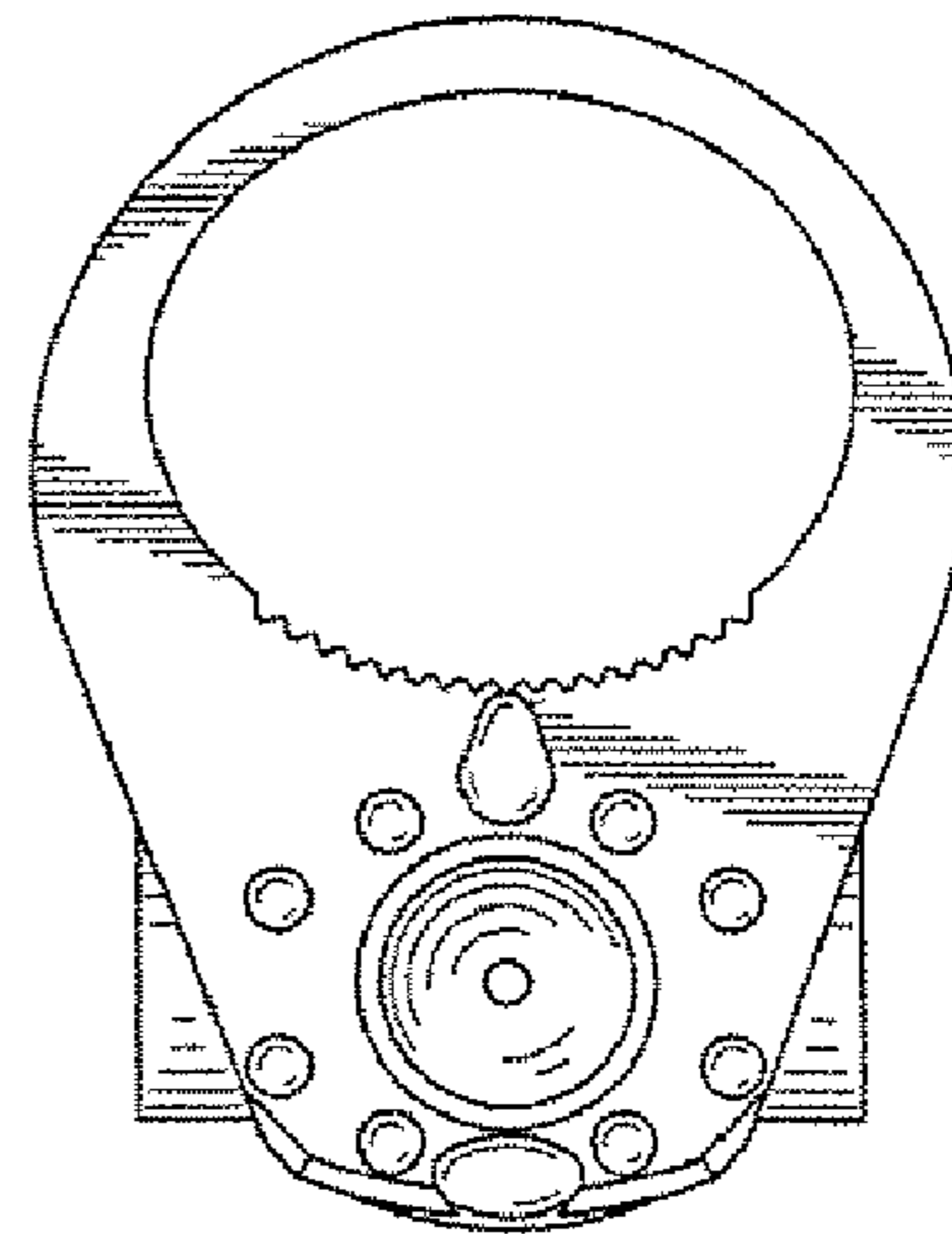


Fig. 4

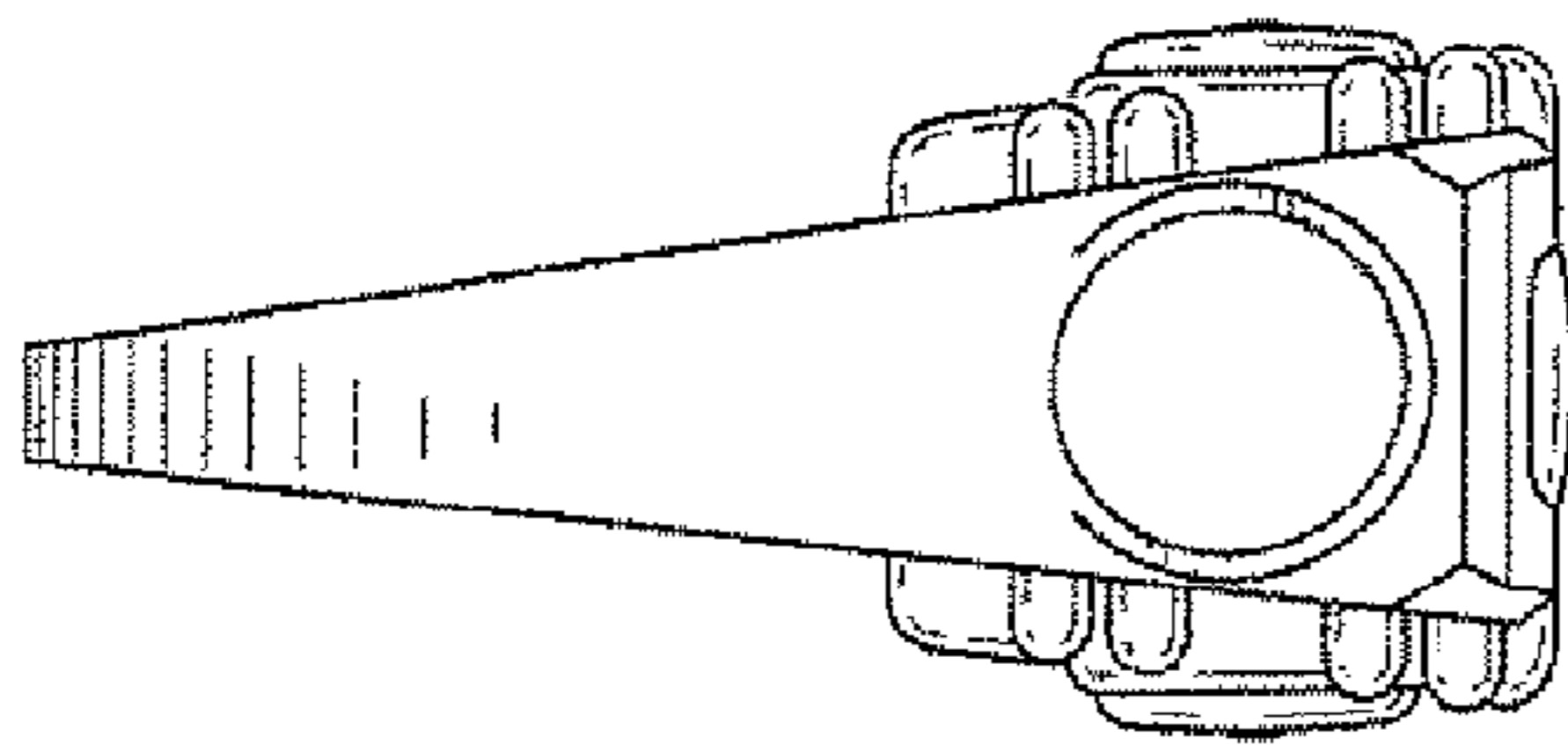


Fig. 5

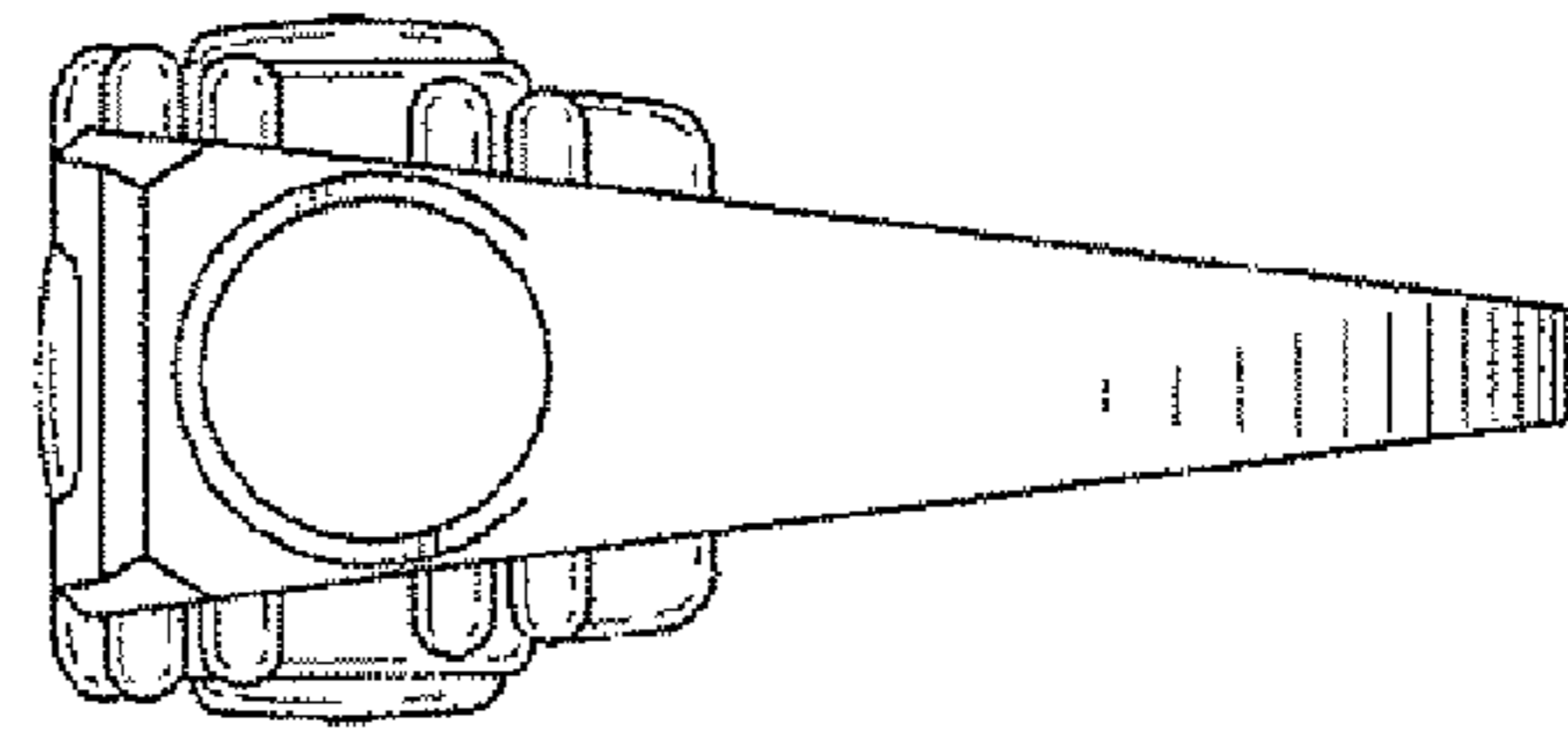


Fig. 6

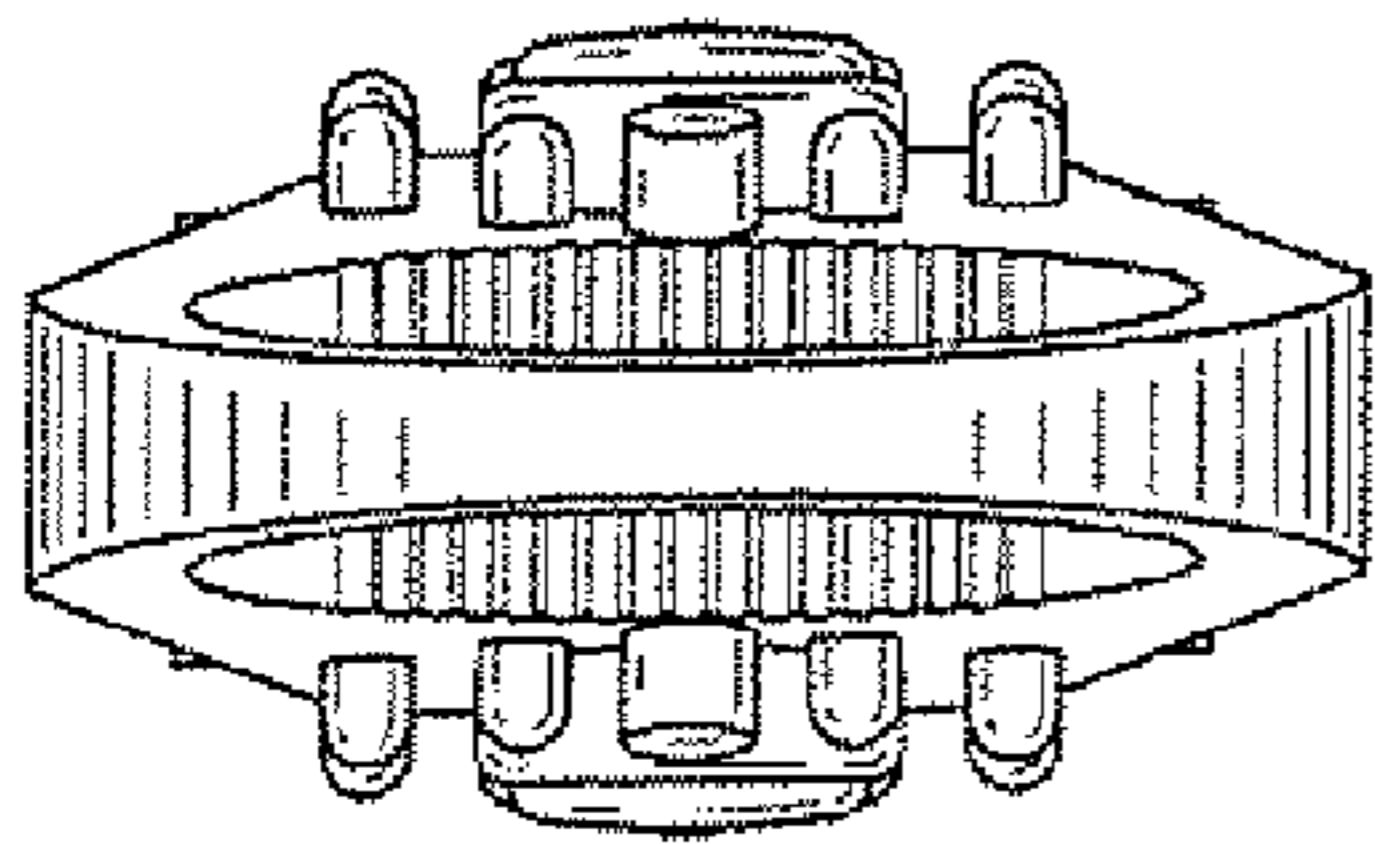


Fig. 7

