



US00D552739S

(12) **United States Design Patent**
Green

(10) **Patent No.:** **US D552,739 S**

(45) **Date of Patent:** **** Oct. 9, 2007**

(54) **MEDICATION MONITOR**

(75) Inventor: **David Alexander Green**, Western Province (ZA)

(73) Assignee: **Simpill (Proprietary) Limited**, Western Province (ZA)

(**) Term: **14 Years**

(21) Appl. No.: **29/235,393**

(22) Filed: **Aug. 2, 2005**

(30) **Foreign Application Priority Data**

Feb. 2, 2005 (ZA) A2005/0105

(51) **LOC (8) Cl.** **24-01**

(52) **U.S. Cl.** **D24/186**

(58) **Field of Classification Search** D24/186,
D24/187, 216, 224; D3/203.1-203.3; D9/417,
D9/453, 522, 523, 528, 743, 744; 368/10;
700/242-243; 702/177

See application file for complete search history.

(56) **References Cited**

U.S. PATENT DOCUMENTS

5,724,021 A * 3/1998 Perrone 368/10

D405,014 S *	2/1999	Nask et al.	D9/528
6,304,797 B1 *	10/2001	Shusterman	700/243
6,314,384 B1 *	11/2001	Goetz	702/177
D465,731 S *	11/2002	Brant et al.	D9/453
6,529,446 B1 *	3/2003	de la Huerga	368/10
6,545,592 B2 *	4/2003	Weiner	368/10
6,662,081 B1 *	12/2003	Jacober et al.	700/242
D491,467 S *	6/2004	Walsh et al.	D9/522
7,054,231 B2 *	5/2006	Valerio	368/10
7,158,011 B2 *	1/2007	Brue	368/10
D540,162 S *	4/2007	Chin et al.	D9/417
D541,426 S *	4/2007	Sato et al.	D24/224

* cited by examiner

Primary Examiner—Robert A. Delehanty

Assistant Examiner—Mark Cavanna

(74) *Attorney, Agent, or Firm*—Banner & Witcoff, Ltd.

(57) **CLAIM**

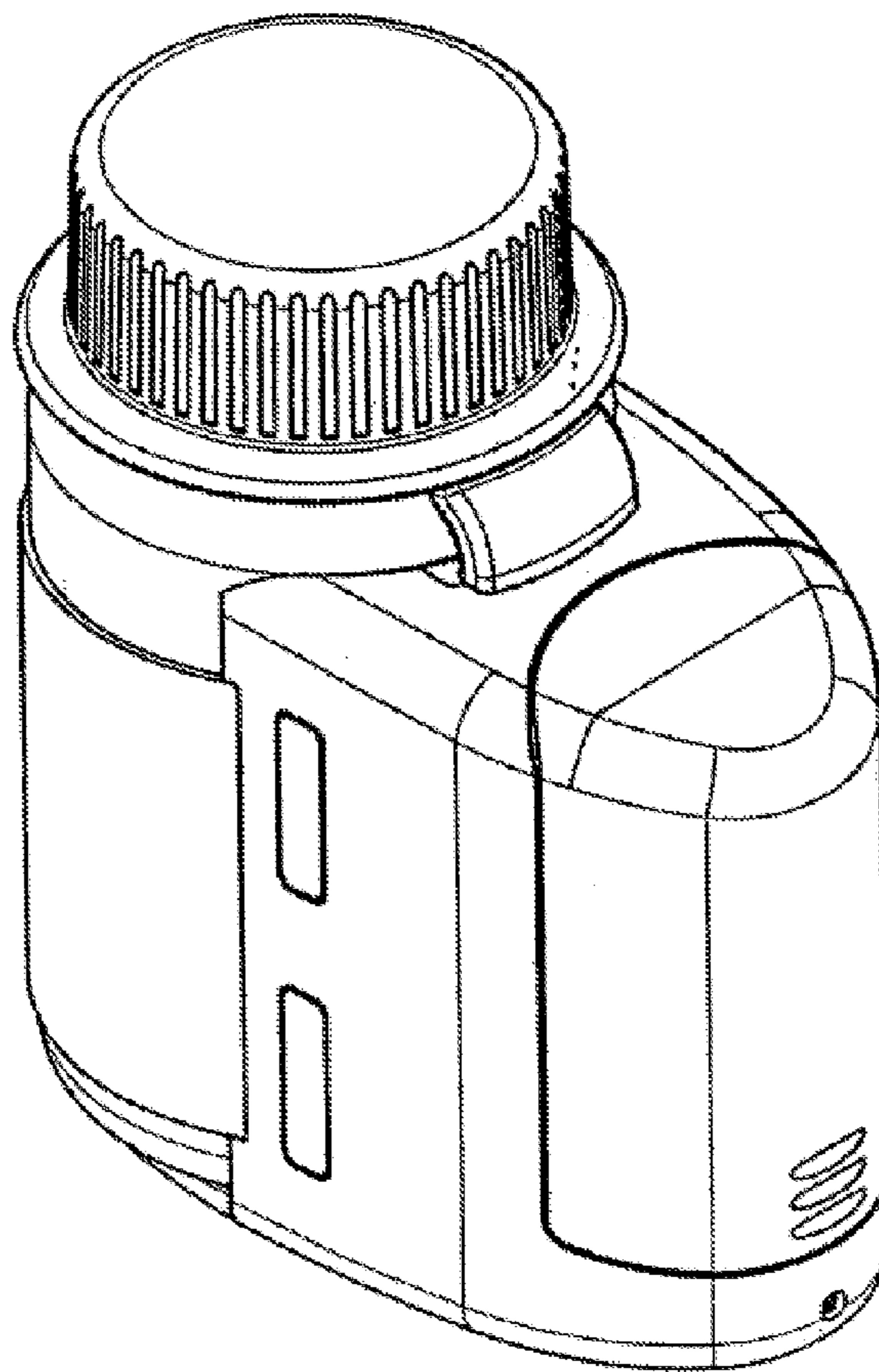
I claim the design for a medication monitor, as shown and described.

DESCRIPTION

FIG. 1 is a rear perspective view of a medication monitor showing my new design; and,

FIG. 2 is front perspective view thereof.

1 Claim, 2 Drawing Sheets



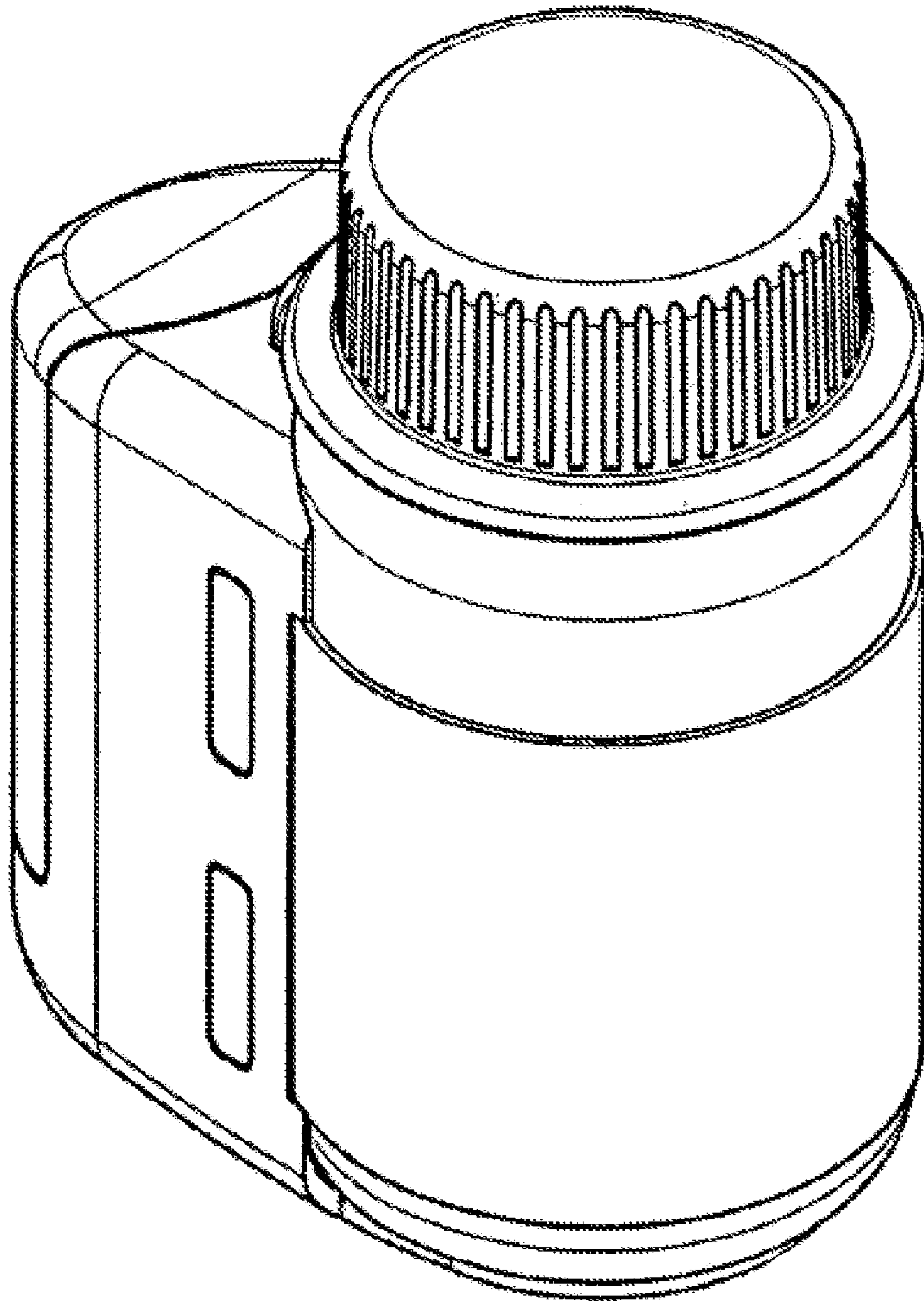


FIG. 1

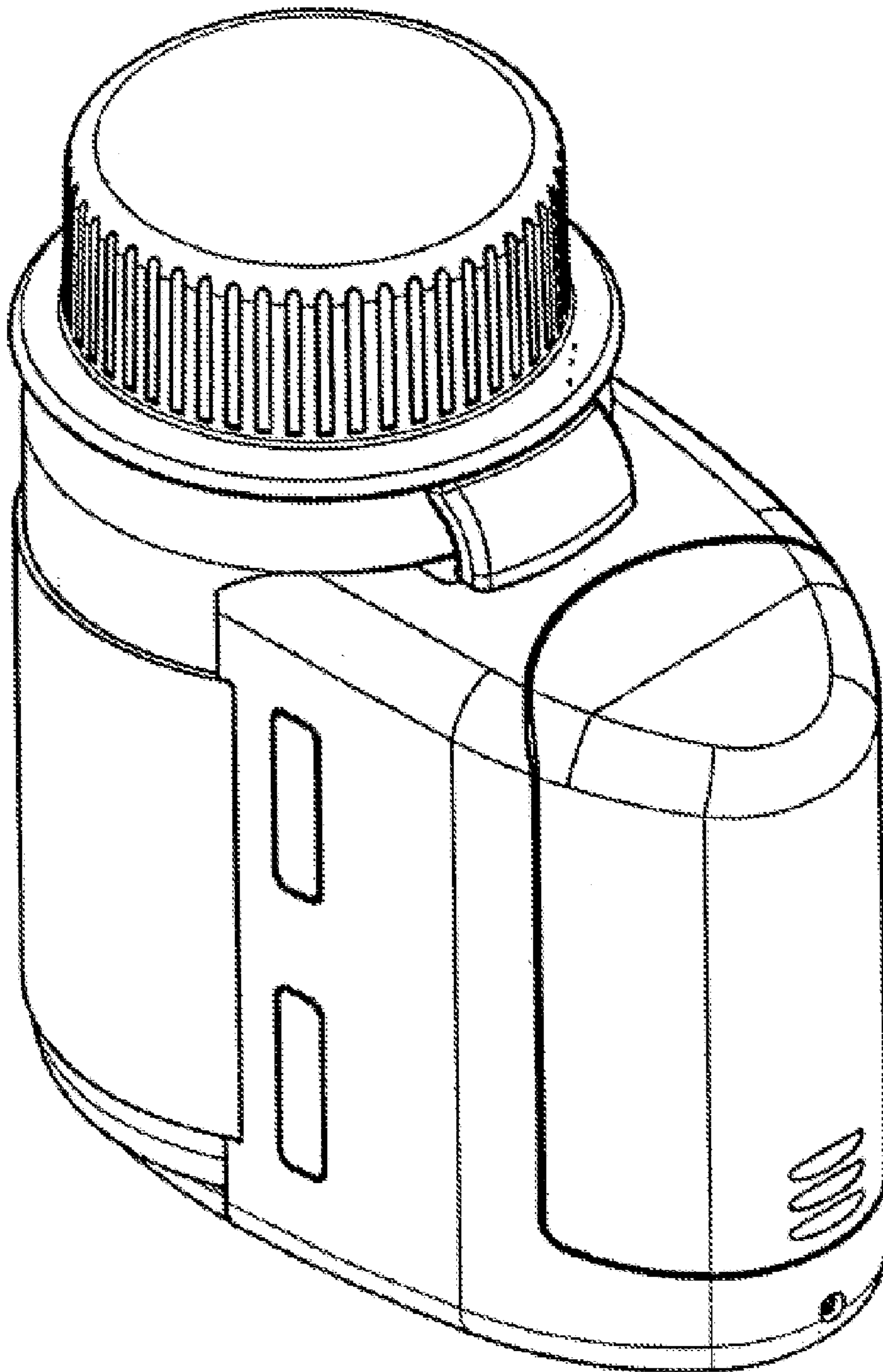


FIG. 2