



US00D552737S

(12) **United States Design Patent**
Steger

(10) **Patent No.:** **US D552,737 S**

(45) **Date of Patent:** **** Oct. 9, 2007**

(54) **DENTAL INSTRUMENT**

(76) Inventor: **Heinrich Steger**,
Giuseppe-Verdi-Strasse 18, Bruneck
(IT) I-39031

(**) Term: **14 Years**

(21) Appl. No.: **29/230,468**

(22) Filed: **May 23, 2005**

(30) **Foreign Application Priority Data**

Nov. 25, 2004 (EM) 000258306

(51) **LOC (8) Cl.** **24-02**

(52) **U.S. Cl.** **D24/182**

(58) **Field of Classification Search** D24/176,
D24/133, 107, 180, 110, 182; D10/46, 70;
433/54-58, 60-61

See application file for complete search history.

(56) **References Cited**

U.S. PATENT DOCUMENTS

- D134,905 S * 1/1943 Jeanneret D24/176
- 2,669,780 A * 2/1954 Mann 433/53
- 2,688,800 A * 9/1954 Gerber 433/58
- 2,797,483 A * 7/1957 Lisowski 433/57
- D258,838 S * 4/1981 Lee D24/182
- 4,365,955 A * 12/1982 Tradowsky 433/57
- D292,124 S * 9/1987 Roden et al. D24/156

- D303,709 S * 9/1989 Roden et al. D24/156
- D362,069 S * 9/1995 Ai et al. D24/182
- 5,720,612 A * 2/1998 Shih 433/55

FOREIGN PATENT DOCUMENTS

WO DM/066667 * 4/2005

* cited by examiner

Primary Examiner—Charles A. Rademaker

(74) *Attorney, Agent, or Firm*—Laurence A. Greenberg;
Werner H. Stemer; Ralph E. Locher

(57) **CLAIM**

The ornamental design for a dental instrument, as shown and described.

DESCRIPTION

FIG. 1 is a left side elevational view of the dental instrument showing my new design;

FIG. 2 is a top perspective view thereof;

FIG. 3 is a right side elevational view thereof;

FIG. 4 is a rear view thereof;

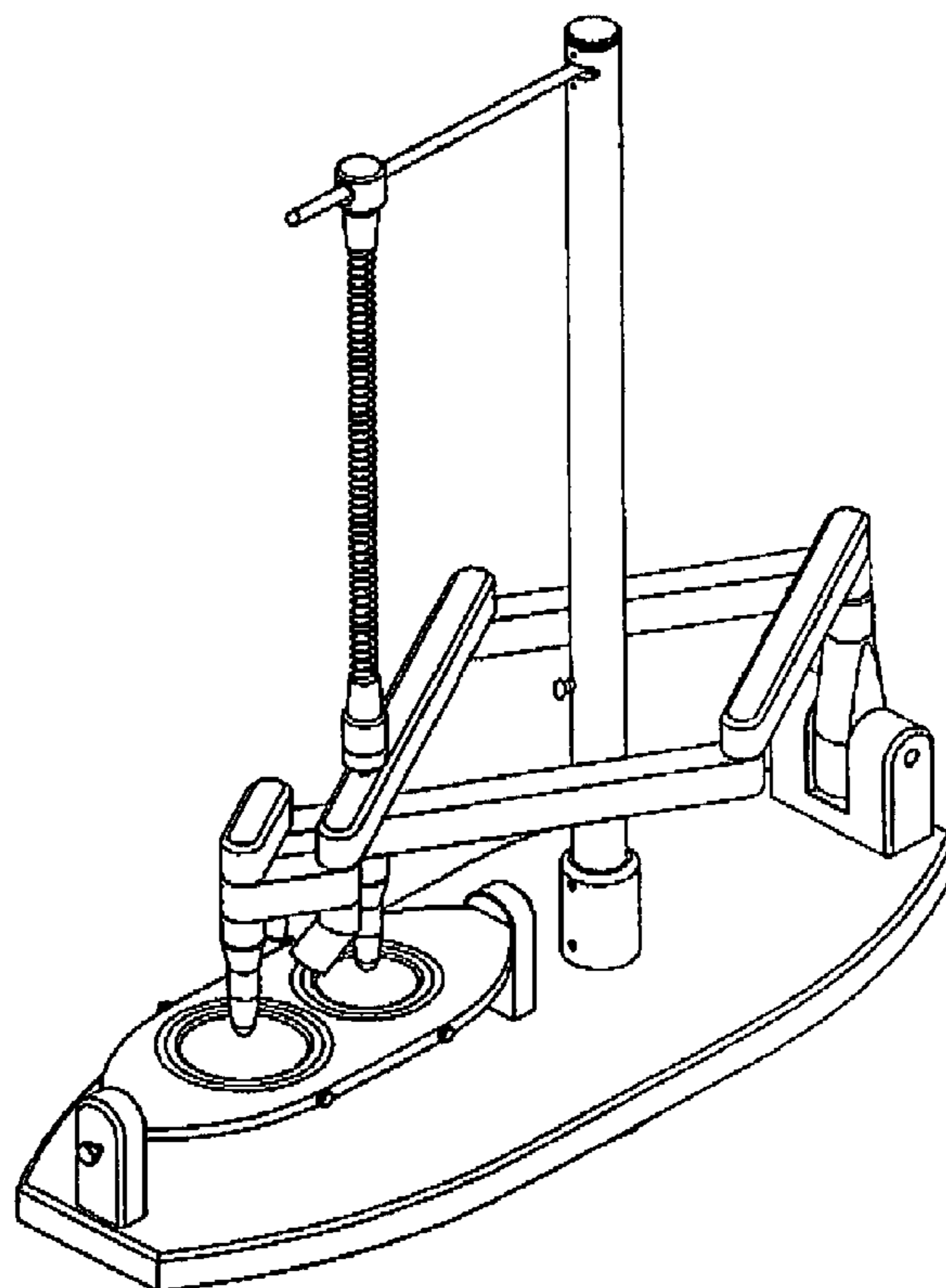
FIG. 5 is a top plan view thereof;

FIG. 6 is a front view thereof;

FIG. 7 is a bottom view thereof; and,

FIG. 8 is a bottom perspective view thereof.

1 Claim, 8 Drawing Sheets



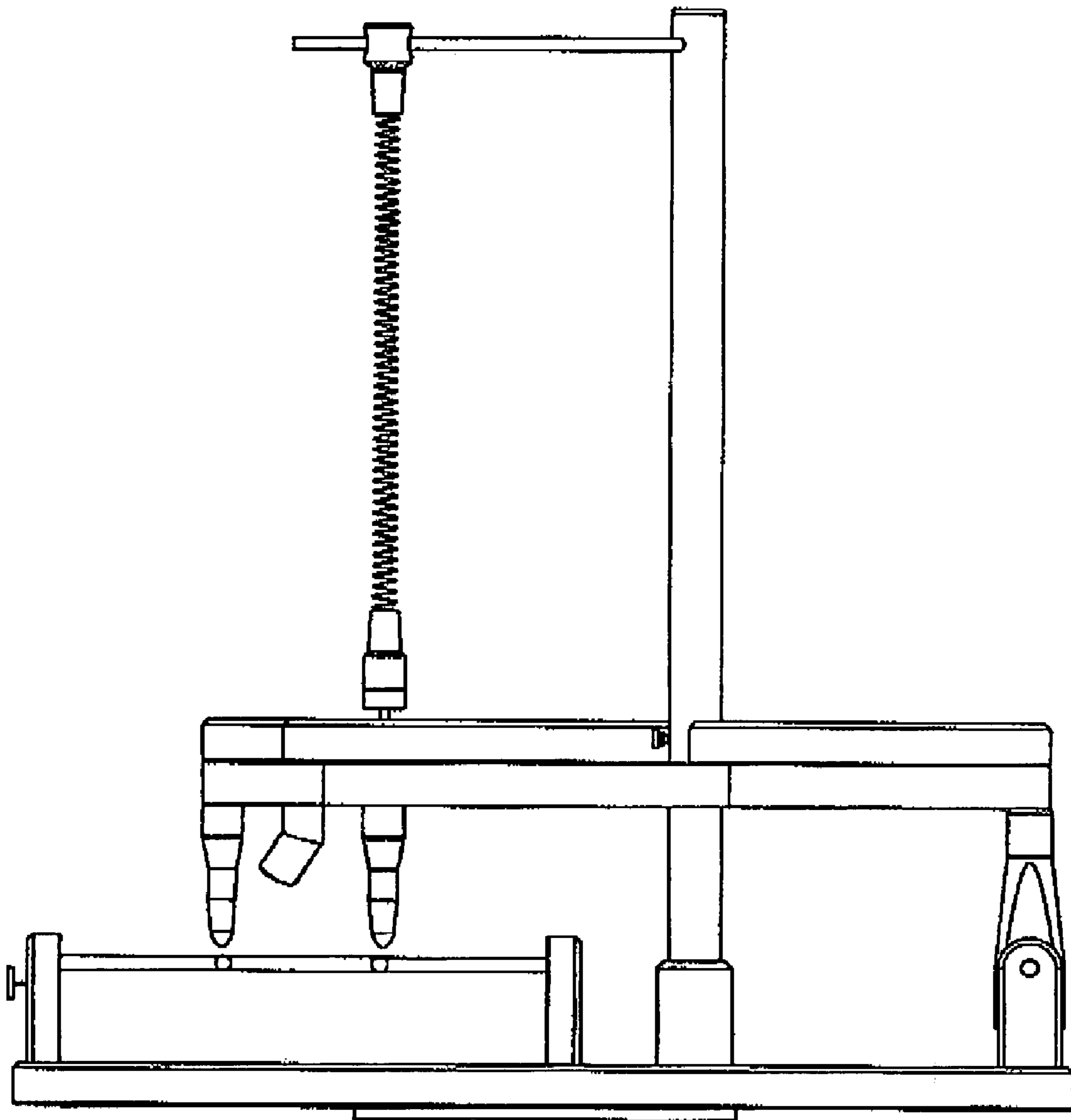


Fig. 1

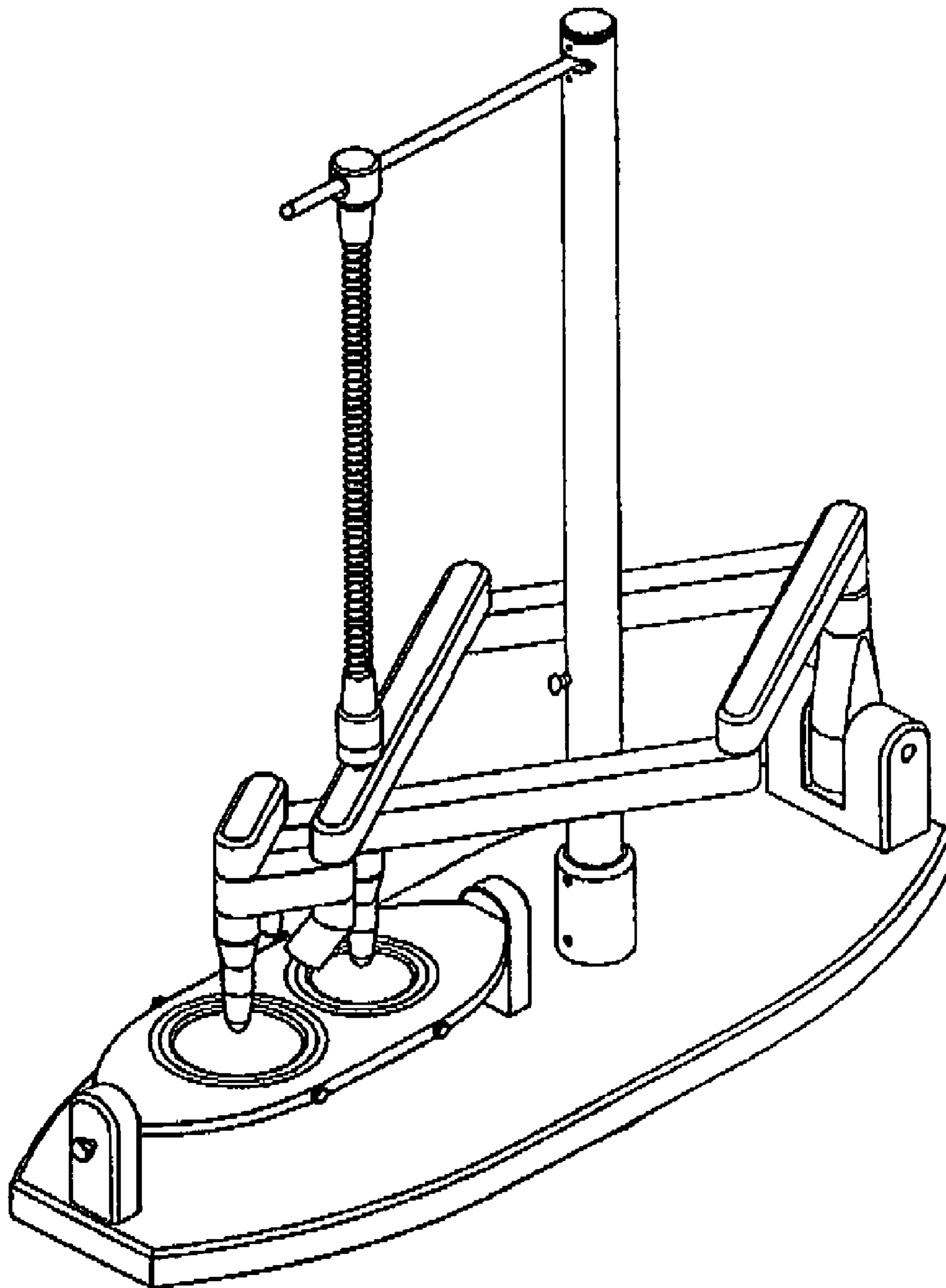


Fig. 2

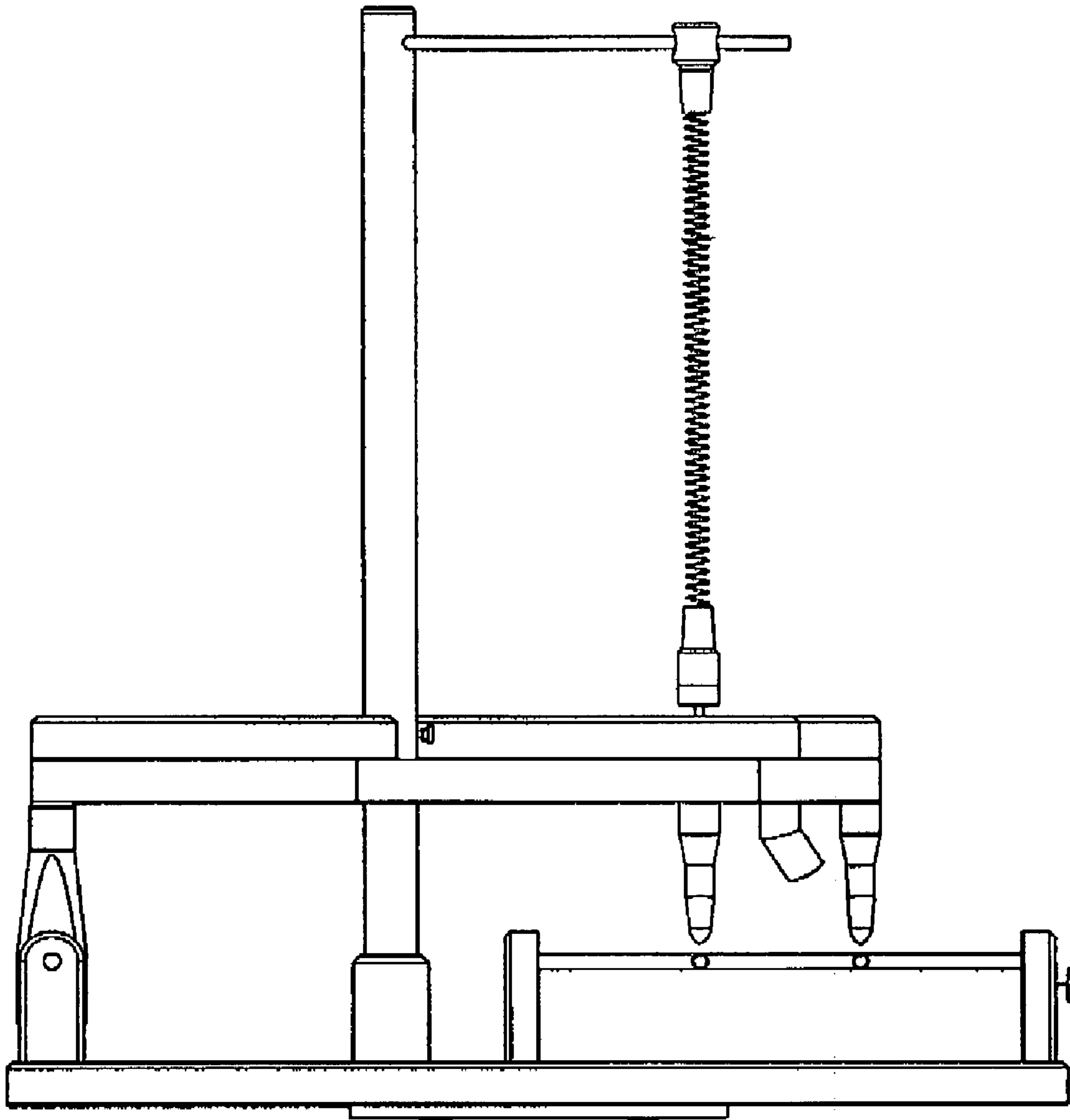


Fig. 3

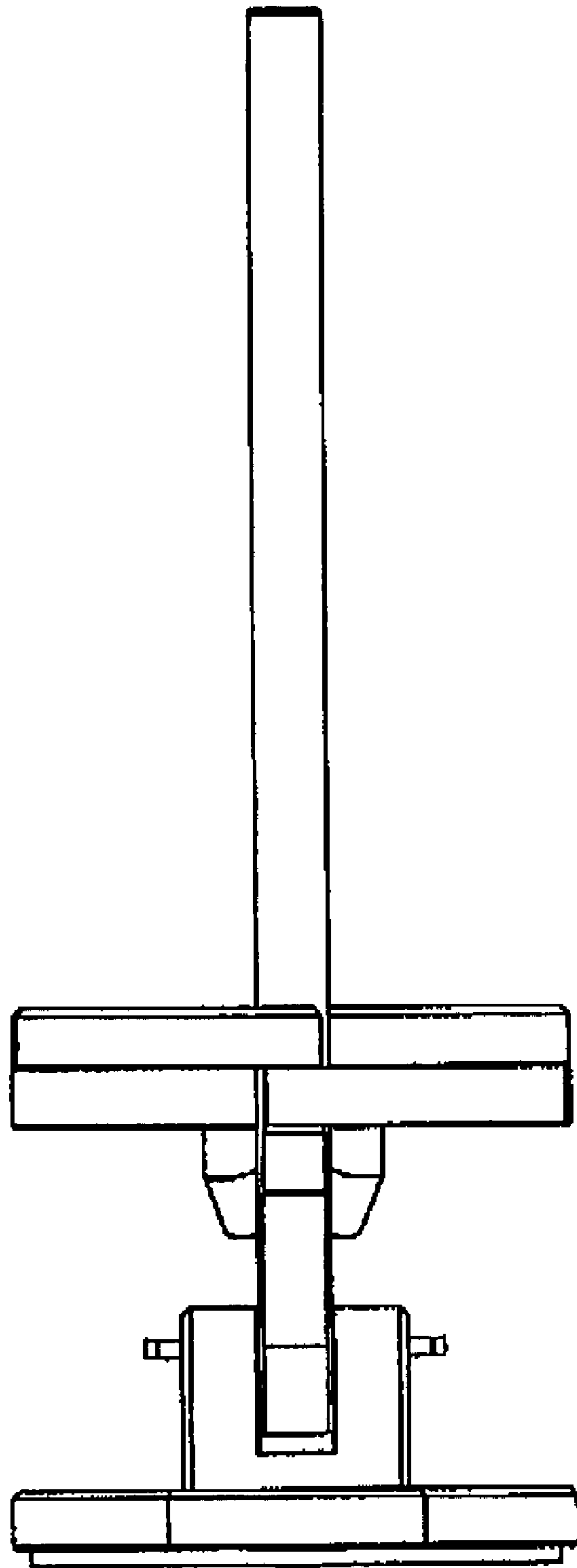


Fig. 4

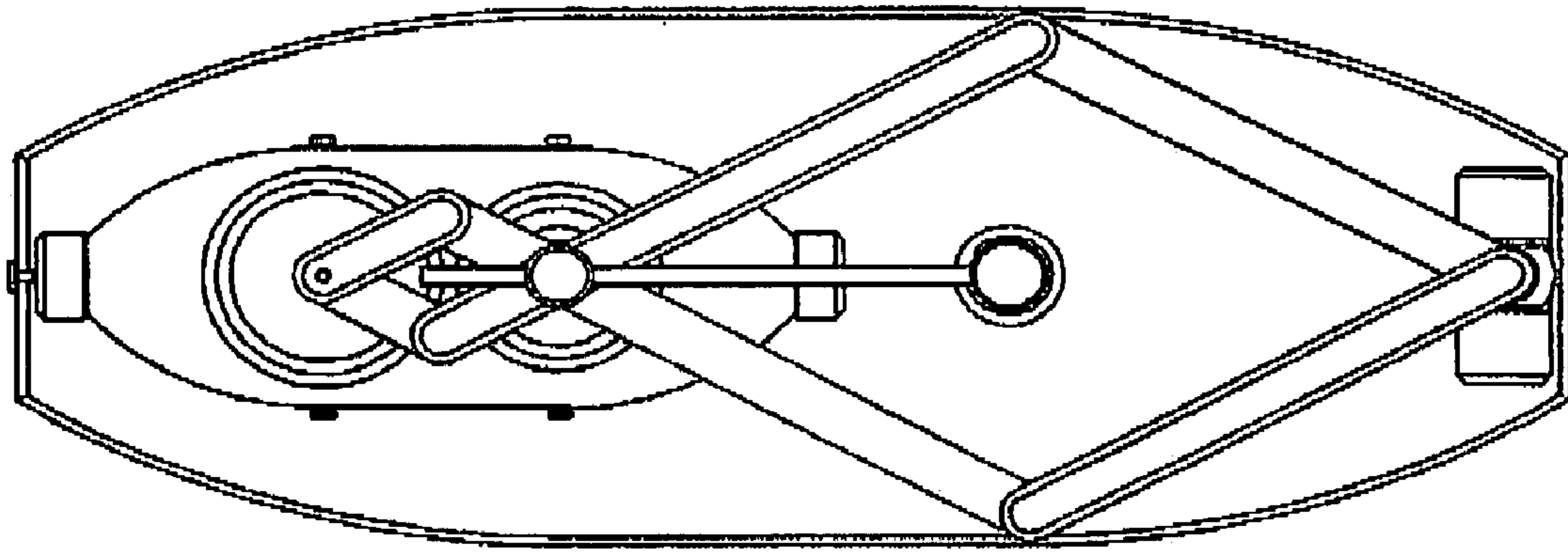


Fig. 5

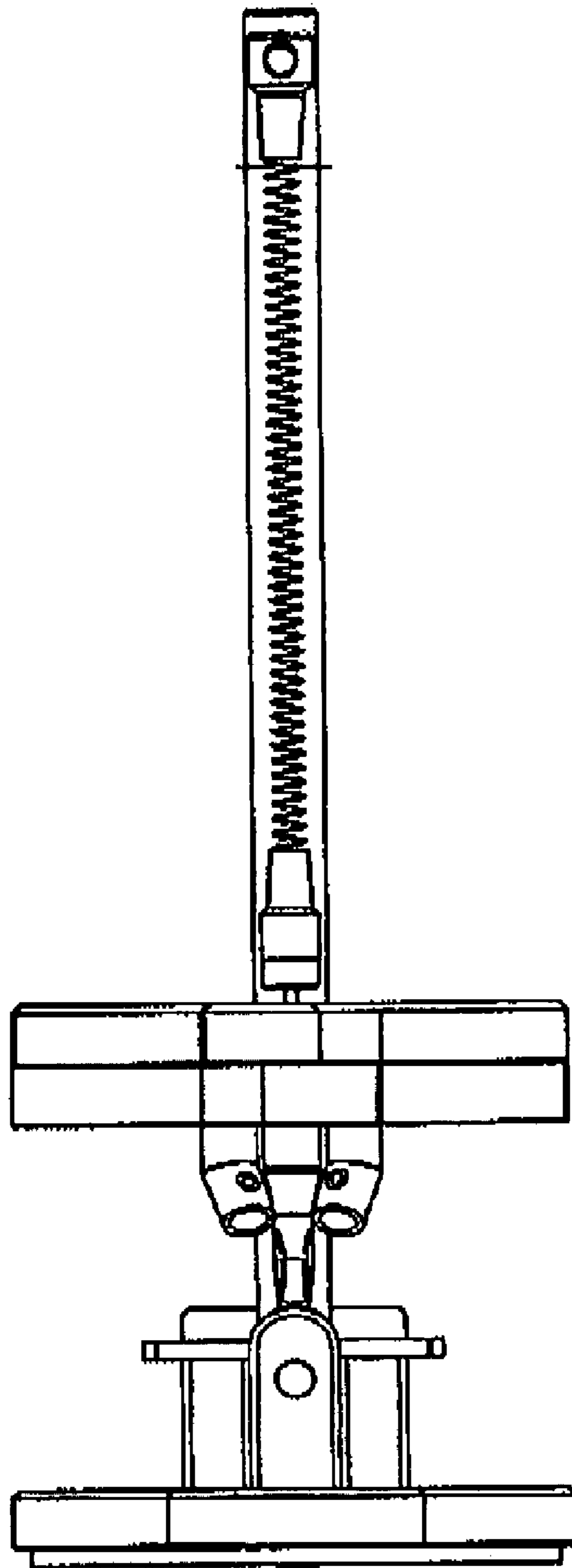


Fig. 6

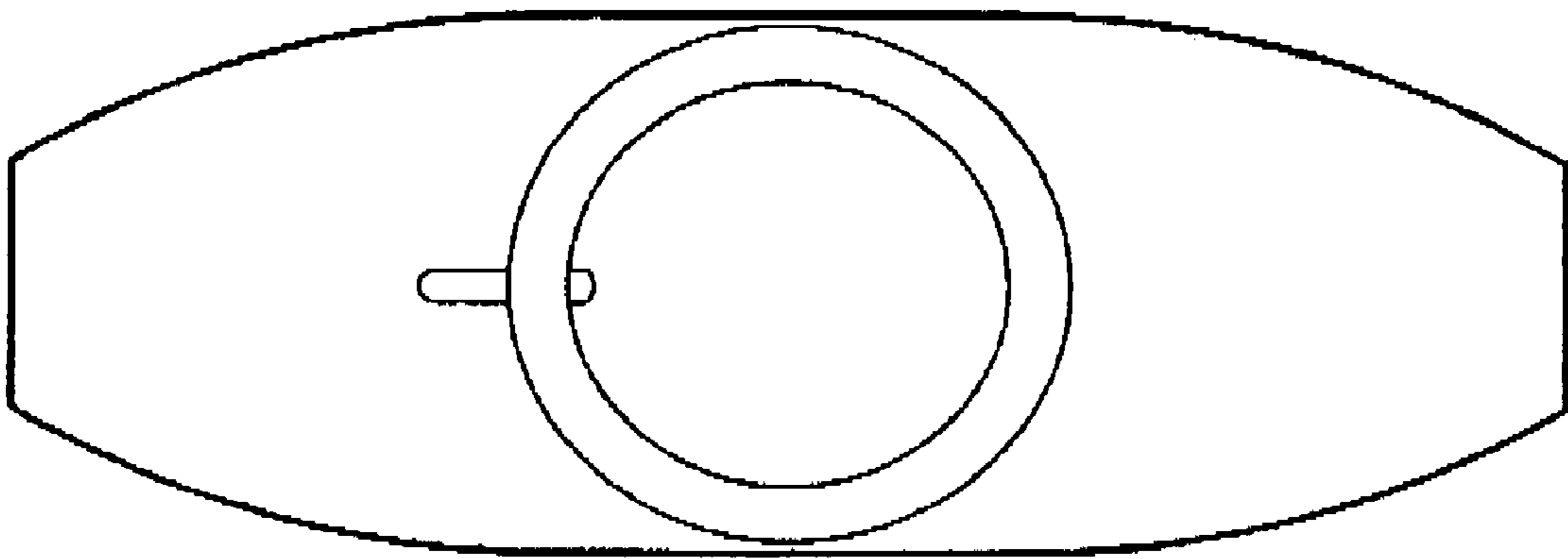


Fig. 7

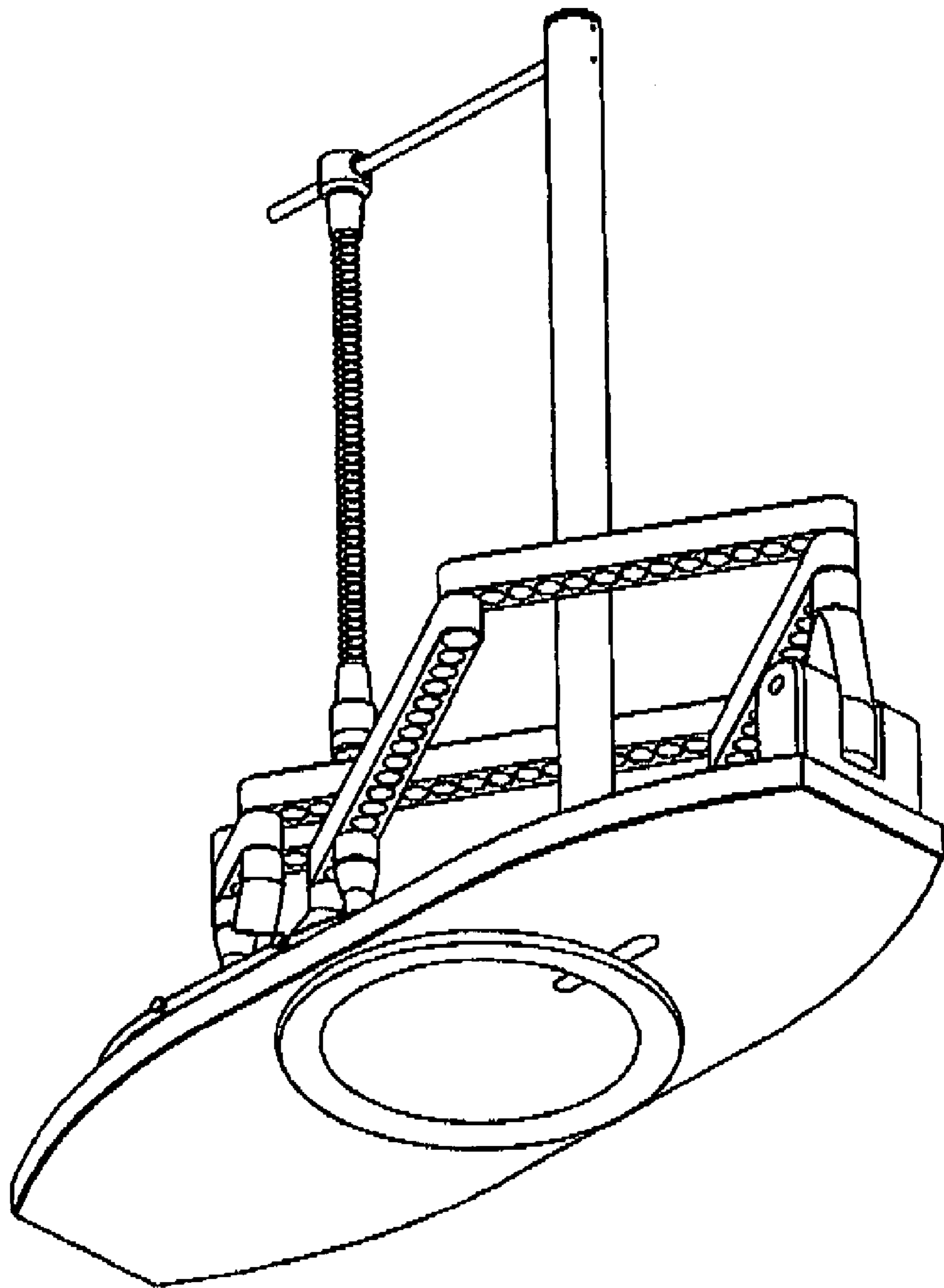


Fig. 8