



US00D552733S

(12) **United States Design Patent**  
**Criscuolo et al.**

(10) **Patent No.:** **US D552,733 S**

(45) **Date of Patent:** **\*\* Oct. 9, 2007**

(54) **BALLOON ANCHORED CANNULA**  
(75) Inventors: **Christopher Criscuolo**, Branford, CT (US); **Brian Creston**, Milford, CT (US); **Marco Bogazzi**, New Haven, CT (US); **Alyssa Dassa**, Gorham, ME (US)

(73) Assignee: **Tyco Healthcare Group LP**, Norwalk, CT (US)

(\*\*) Term: **14 Years**

(21) Appl. No.: **29/262,834**

(22) Filed: **Jul. 12, 2006**

**Related U.S. Application Data**

(63) Continuation of application No. 29/191,351, filed on Oct. 6, 2003, now abandoned.

(51) **LOC (8) Cl.** ..... **24-02**

(52) **U.S. Cl.** ..... **D24/146; D24/133**

(58) **Field of Classification Search** ..... D24/133, D24/145, 146, 147; 604/167.06, 164.01, 604/165, 158, 96.01; 606/190-192, 185, 606/232

See application file for complete search history.

(56) **References Cited**

**U.S. PATENT DOCUMENTS**

5,152,754 A \* 10/1992 Plyley et al. .... 604/164.12  
5,246,425 A \* 9/1993 Hunsberger et al. ... 604/164.12  
5,324,270 A 6/1994 Kayan et al.  
D349,574 S \* 8/1994 Metcalf et al. .... D24/146  
5,391,178 A \* 2/1995 Yapor ..... 606/192

5,403,336 A 4/1995 Kieturakis et al.  
5,496,345 A 3/1996 Kieturakis et al.  
5,601,589 A 2/1997 Fogarty et al.  
5,702,416 A 12/1997 Kieturakis et al.  
5,836,961 A 11/1998 Kieturakis et al.  
6,168,608 B1 1/2001 Echeverry et al.  
6,368,337 B1 4/2002 Kieturakis et al.  
6,497,687 B1 \* 12/2002 Blanco ..... 604/274  
6,514,272 B1 2/2003 Kieturakis et al.  
D490,896 S \* 6/2004 Bogazzi ..... D24/146  
D495,053 S \* 8/2004 Laun ..... D24/146

\* cited by examiner

*Primary Examiner*—Ian Simmons  
*Assistant Examiner*—Christopher Lee

(57) **CLAIM**

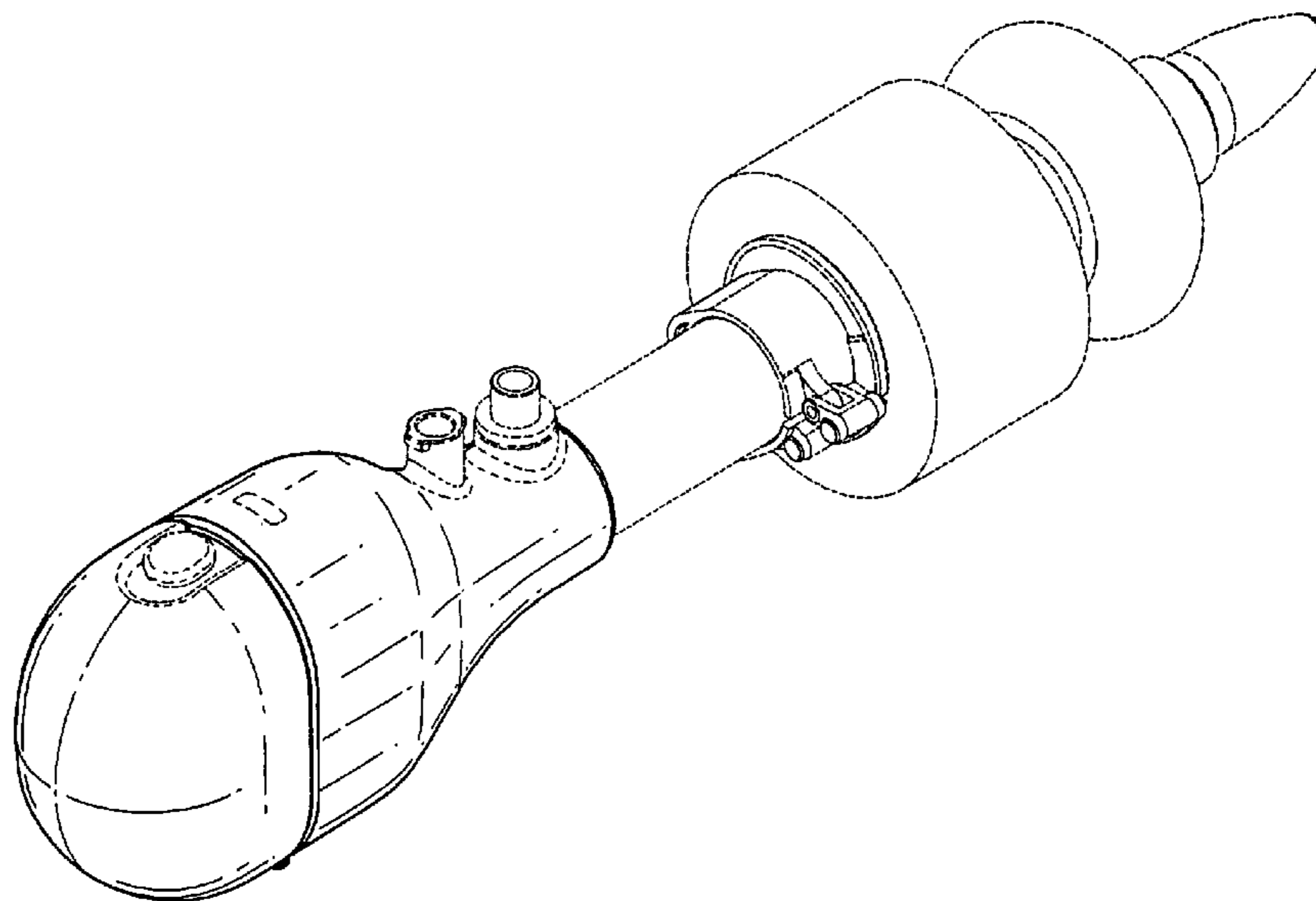
The ornamental design for a balloon anchored cannula, as shown.

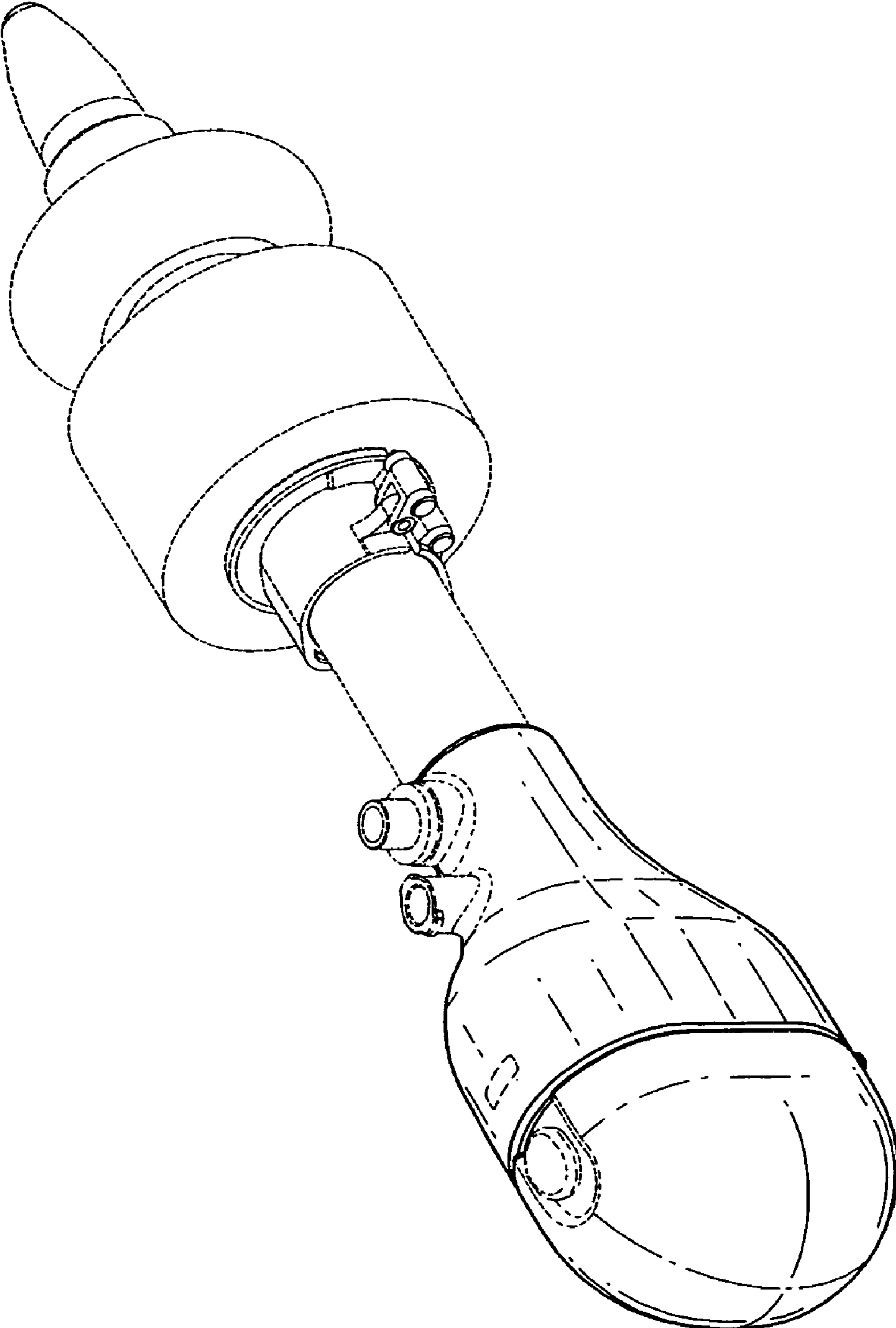
**DESCRIPTION**

FIG. 1 is a perspective view of a balloon anchored cannula, showing our new design;  
FIG. 2 is a left elevational view thereof;  
FIG. 3 is a top plan view thereof;  
FIG. 4 is a bottom plan view thereof;  
FIG. 5 is a right elevational view thereof;  
FIG. 6 is a rear elevational view thereof; and,  
FIG. 7 is a front elevational view.

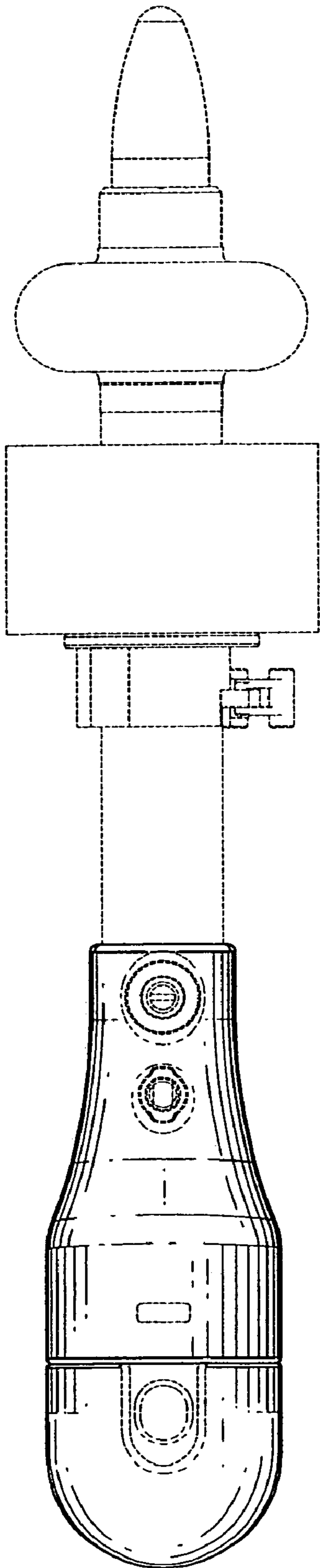
The broken lines showing in FIGS. 1-7 are for illustrative purposes only and form no part of the claimed design.

**1 Claim, 4 Drawing Sheets**

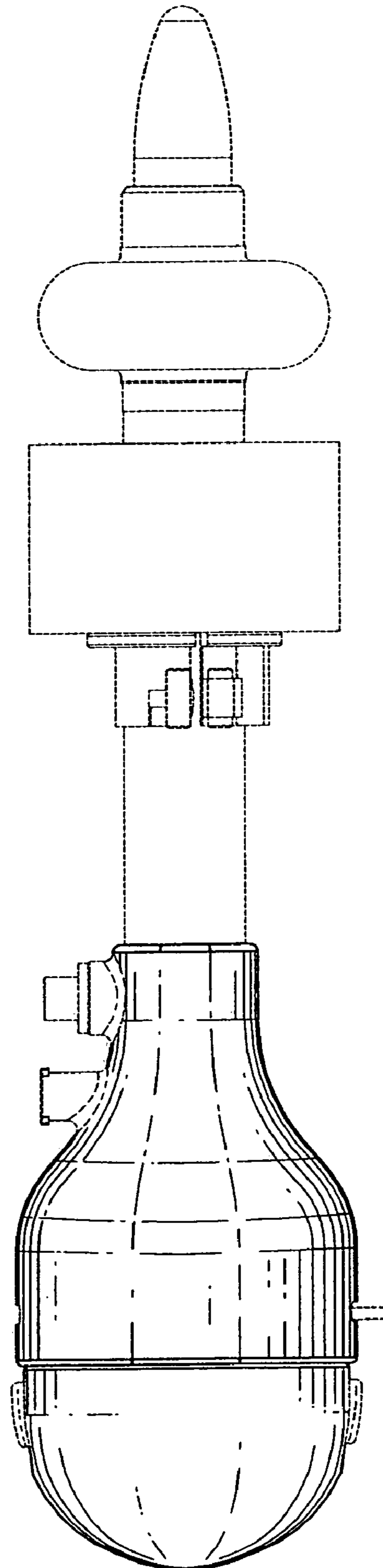




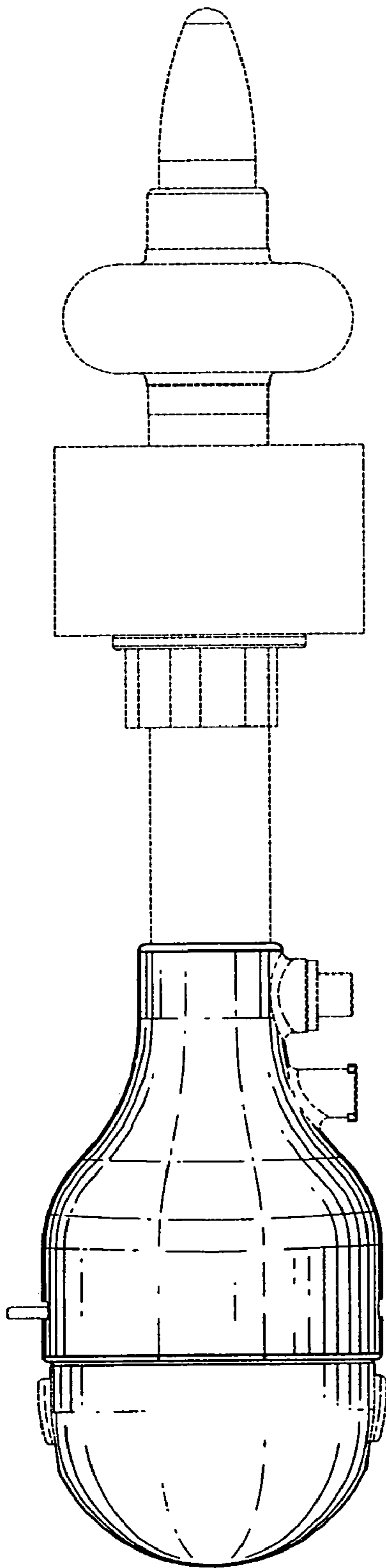
**FIG. 1**



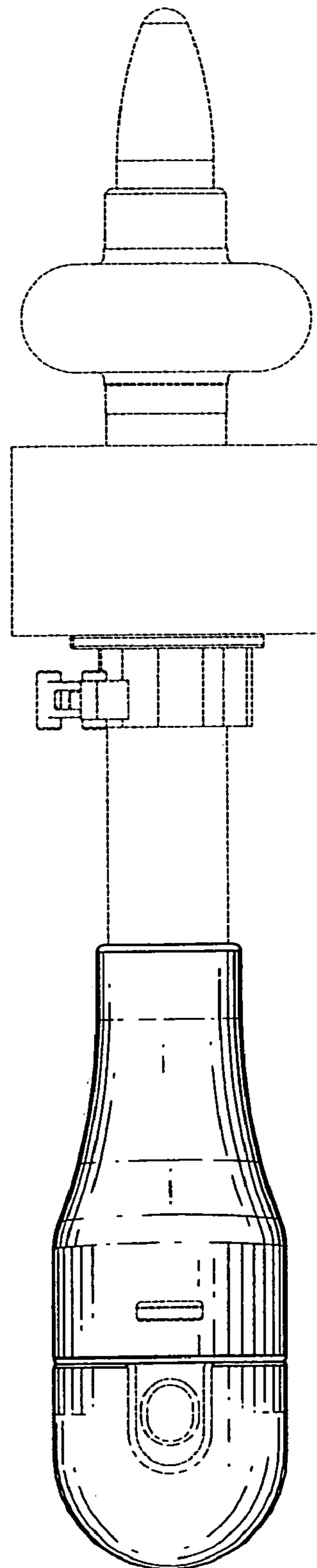
**FIG. 2**



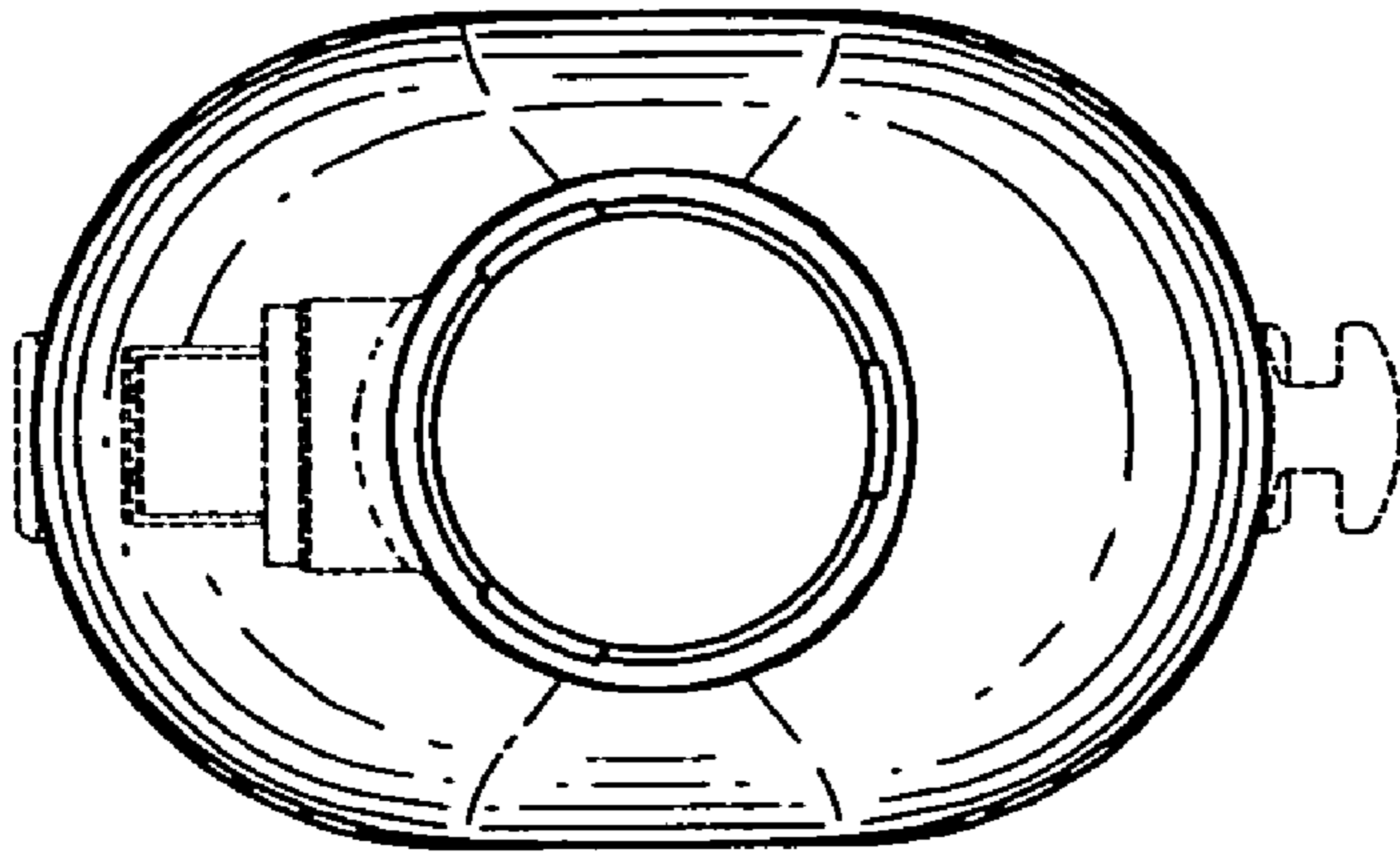
**FIG. 3**



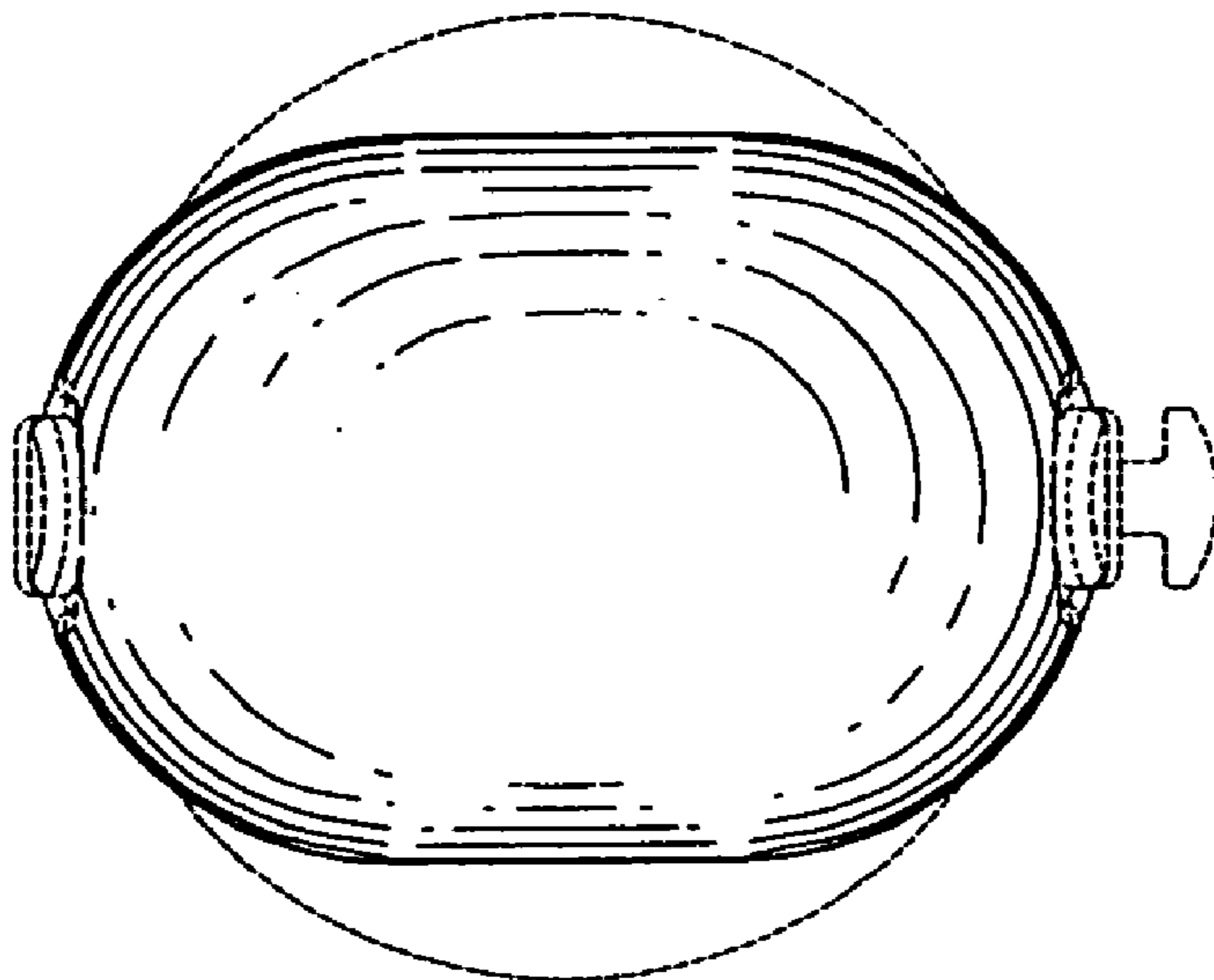
**FIG. 4**



**FIG. 5**



**FIG. 7**



**FIG. 6**