



US00D552728S

(12) **United States Design Patent**
Steger

(10) **Patent No.:** **US D552,728 S**

(45) **Date of Patent:** **** Oct. 9, 2007**

(54) **MEDICAL EQUIPMENT**

(76) **Inventor:** **Heinrich Steger,**
Giuseppe-Verdi-Strasse 18, Bruneck
(IT) A-39031

(**) **Term:** **14 Years**

(21) **Appl. No.:** **29/235,913**

(22) **Filed:** **Aug. 8, 2005**

(30) **Foreign Application Priority Data**

Feb. 7, 2005 (EM) 000291620-0001

(51) **LOC (8) Cl.** **29-02**

(52) **U.S. Cl.** **D24/110**

(58) **Field of Classification Search** D24/110,
D24/152, 156, 182, 176, 146; 433/57, 56,
433/53, 58, 54, 32, 88

See application file for complete search history.

(56) **References Cited**

U.S. PATENT DOCUMENTS

D258,838 S * 4/1981 Lee D24/182

5,055,041 A * 10/1991 Eckland 433/56
D362,069 S * 9/1995 Ai et al. D24/182
5,660,544 A * 8/1997 Shih 433/55

* cited by examiner

Primary Examiner—Ian Simmons

Assistant Examiner—Christopher Lee

(74) *Attorney, Agent, or Firm*—Laurence A. Greenberg;
Werner H. Stemer; Ralph E. Locher

(57) **CLAIM**

The ornamental design for a medical equipment, as shown.

DESCRIPTION

FIG. 1 is a left side elevational view the medical equipment;

FIG. 2 is a right side elevational view thereof;

FIG. 3 is a rear elevational thereof;

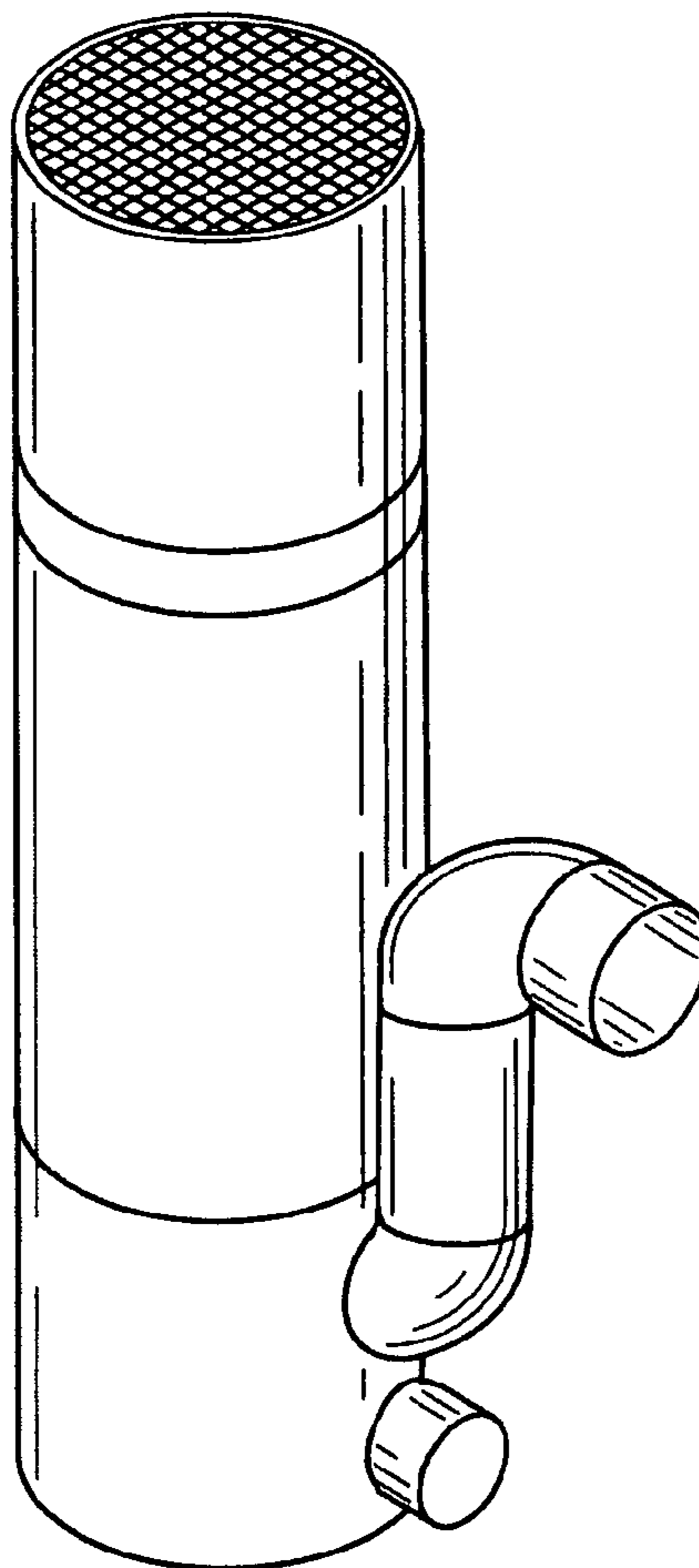
FIG. 4 is a front, top perspective view thereof;

FIG. 5 is a front elevational view thereof;

FIG. 6 is a bottom plan view thereof; and,

FIG. 7 is a top plan view thereof.

1 Claim, 2 Drawing Sheets



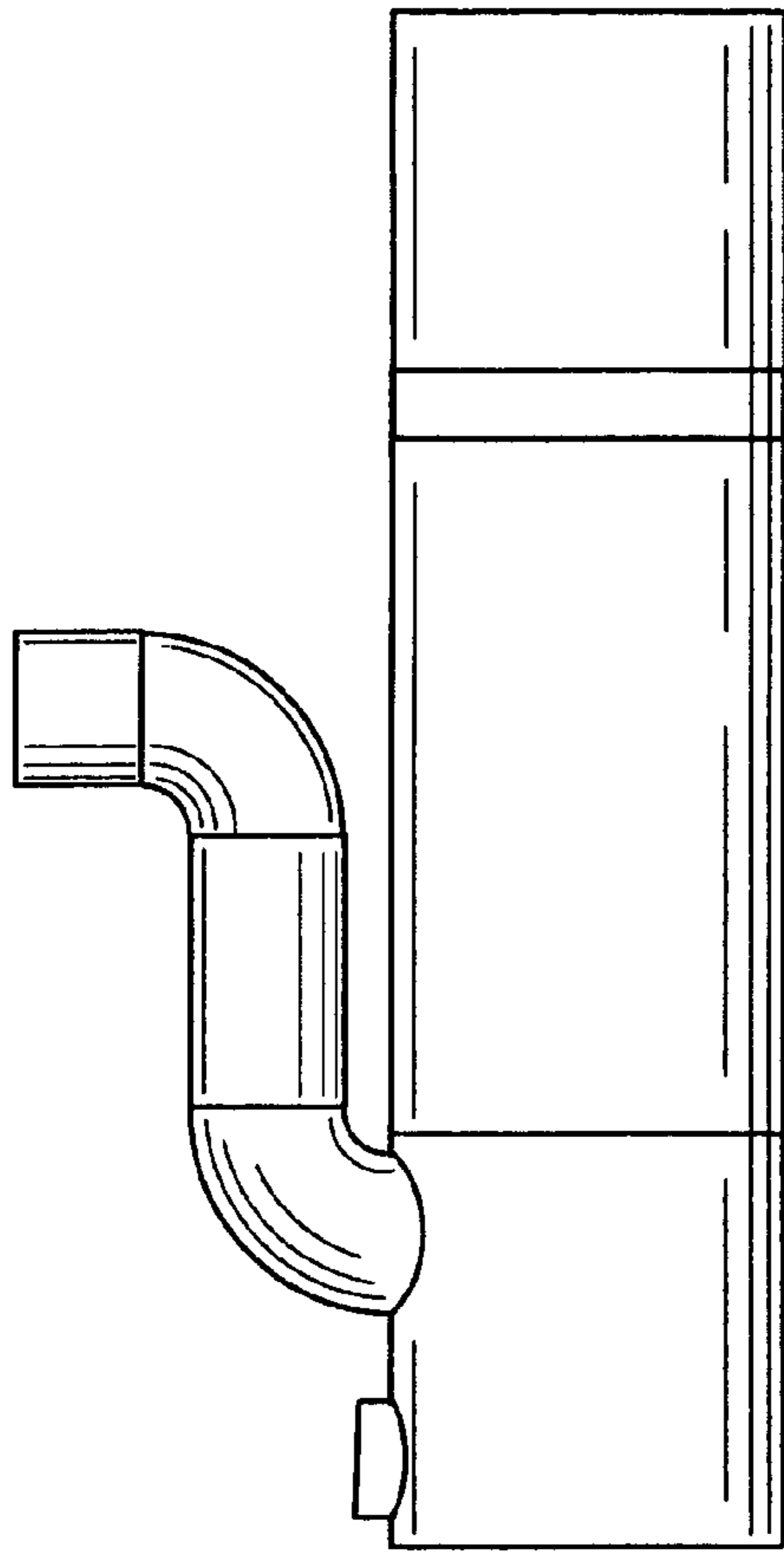


Fig. 1

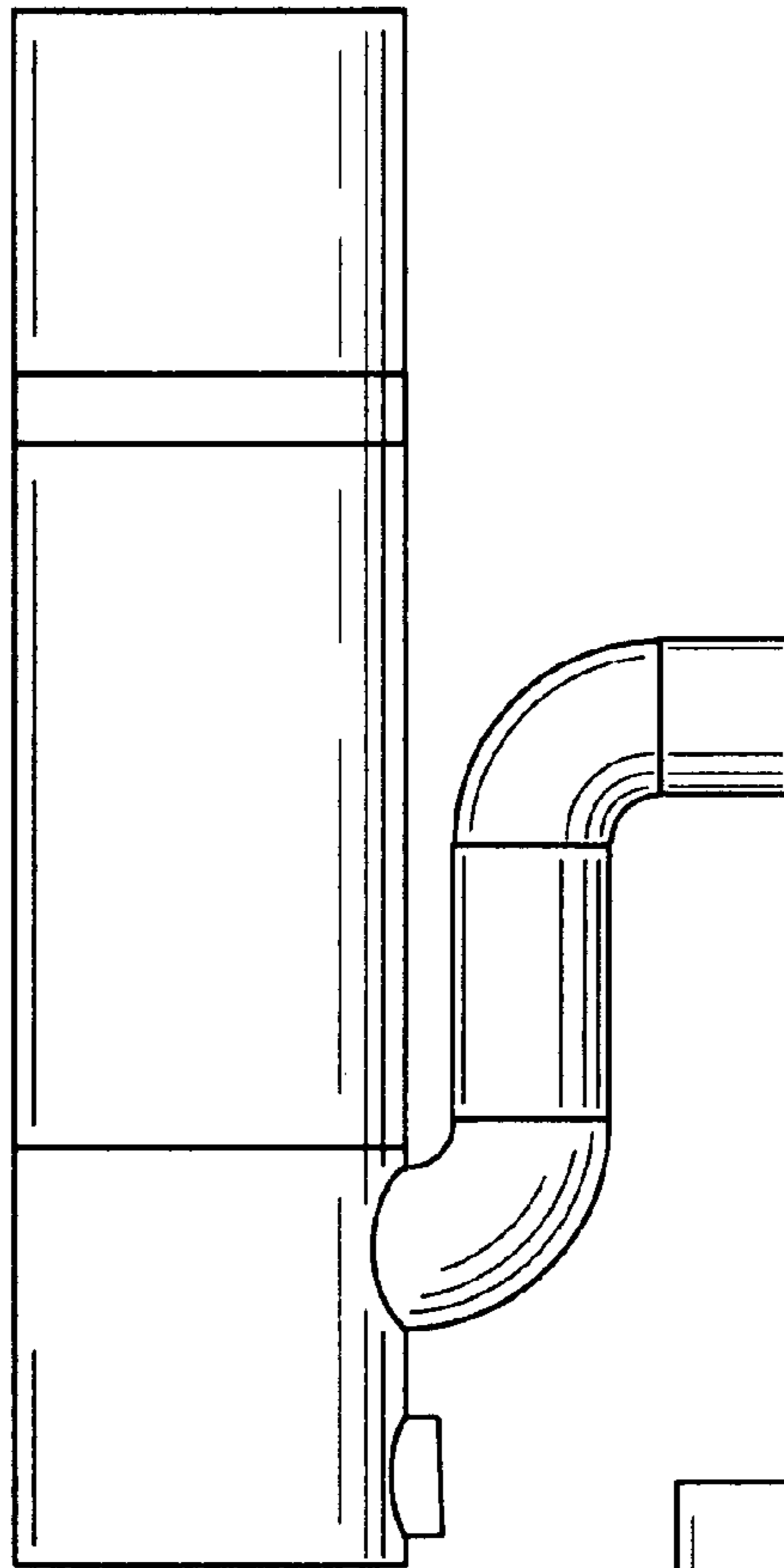


Fig. 2

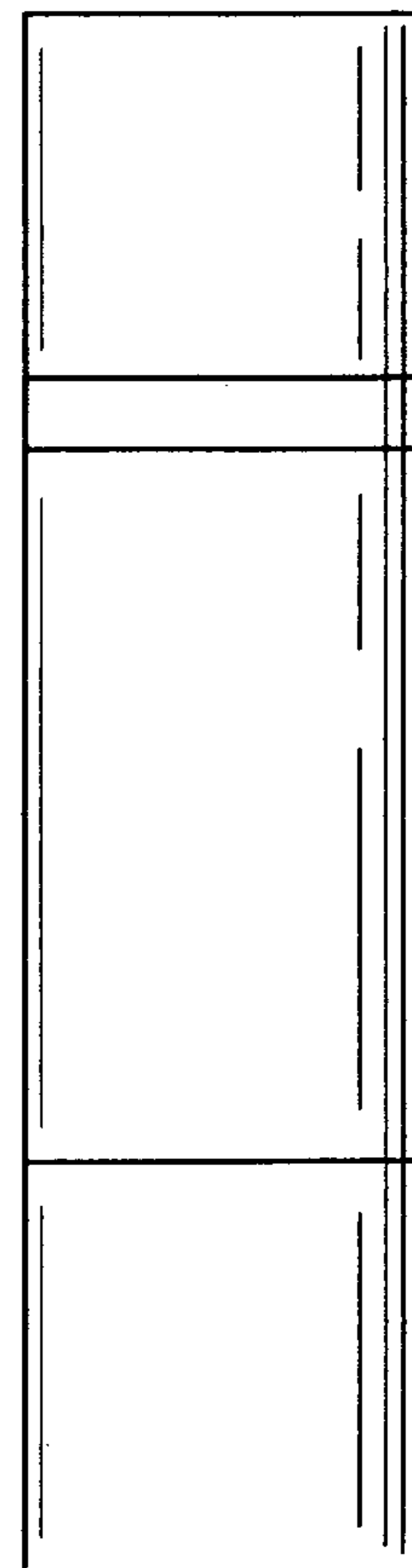


Fig. 3

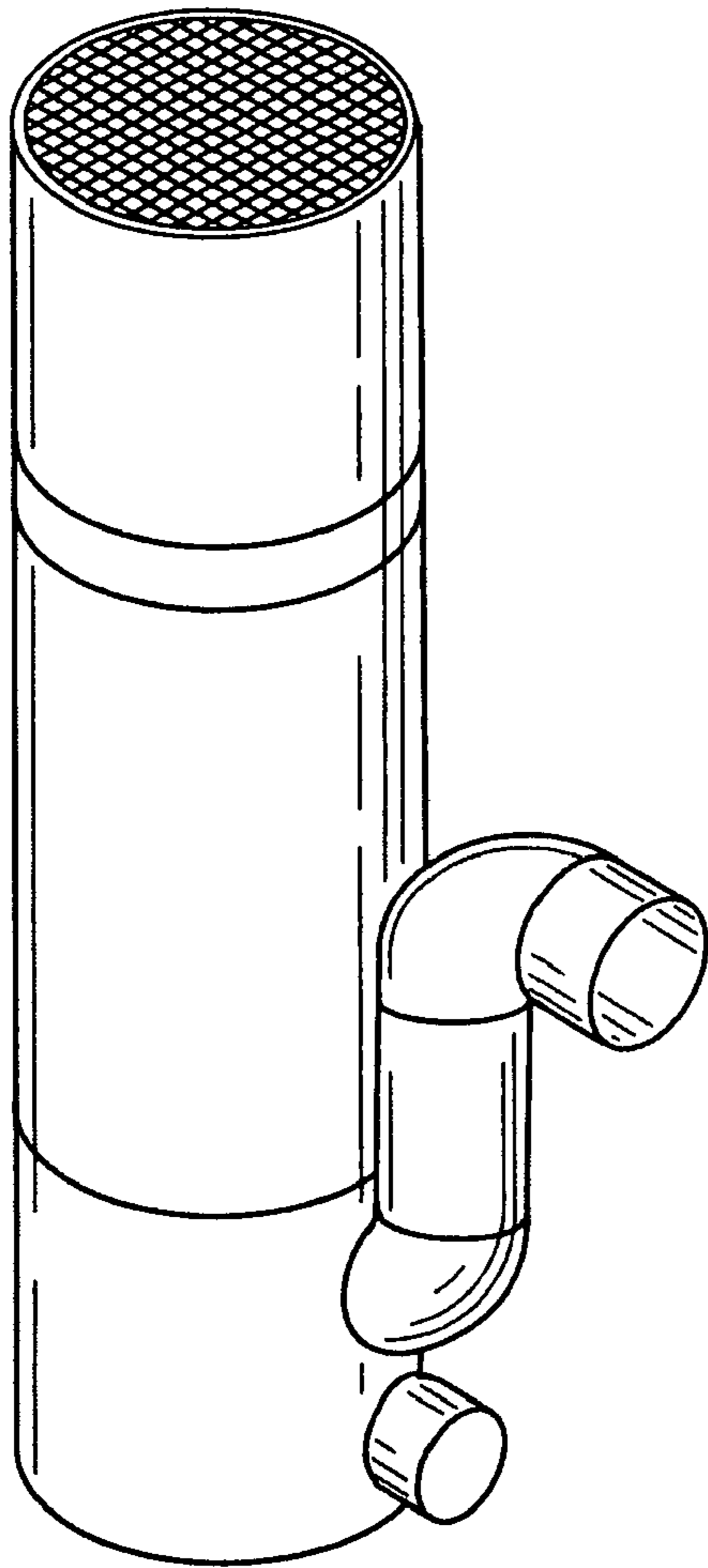


Fig. 4

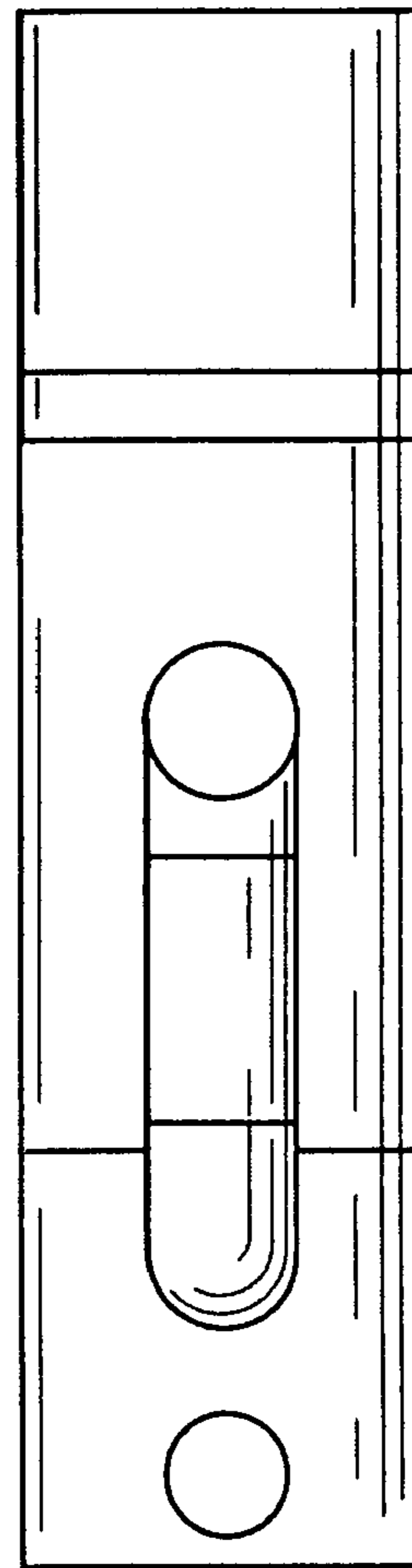


Fig. 5

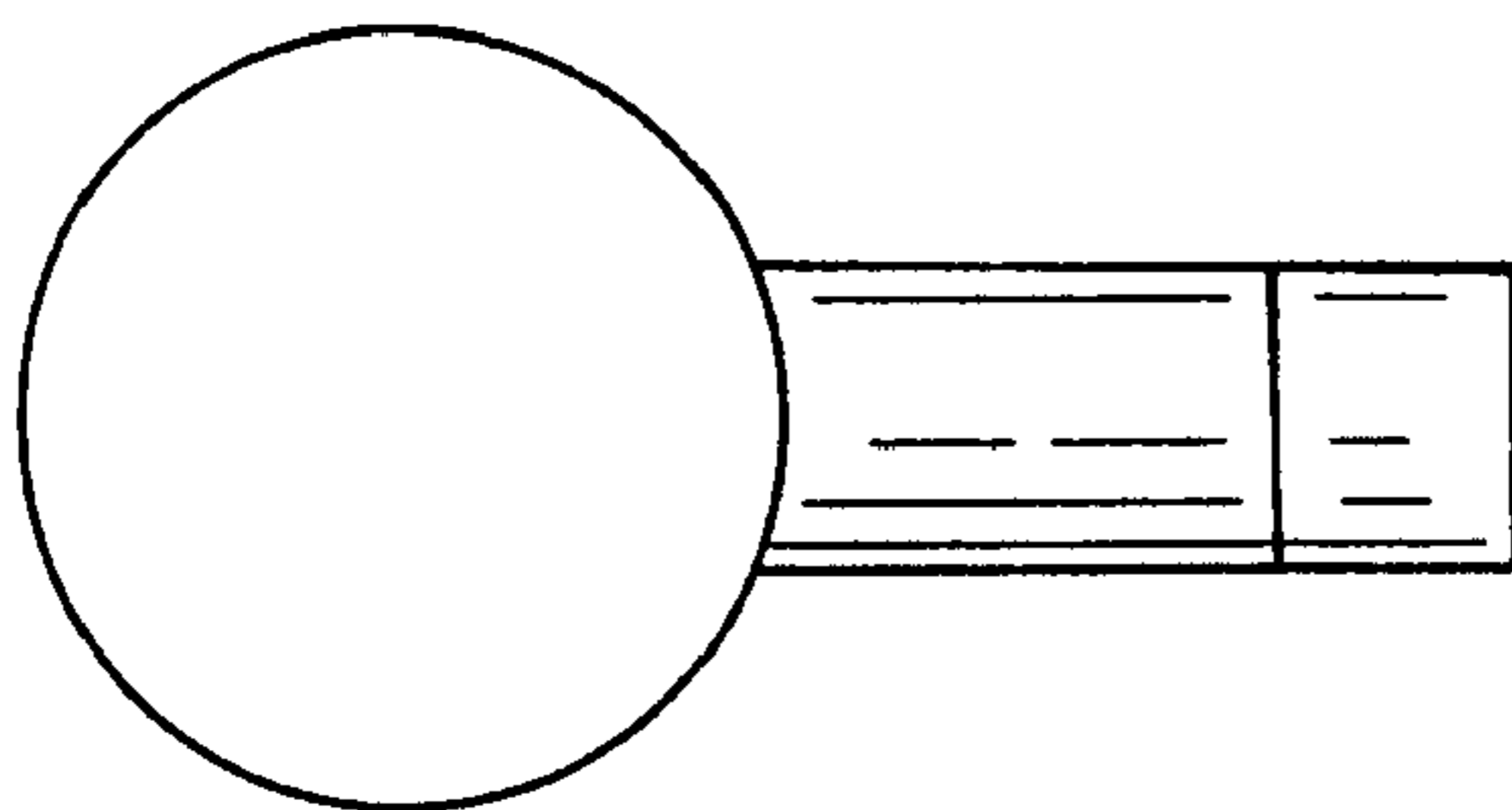


Fig. 6

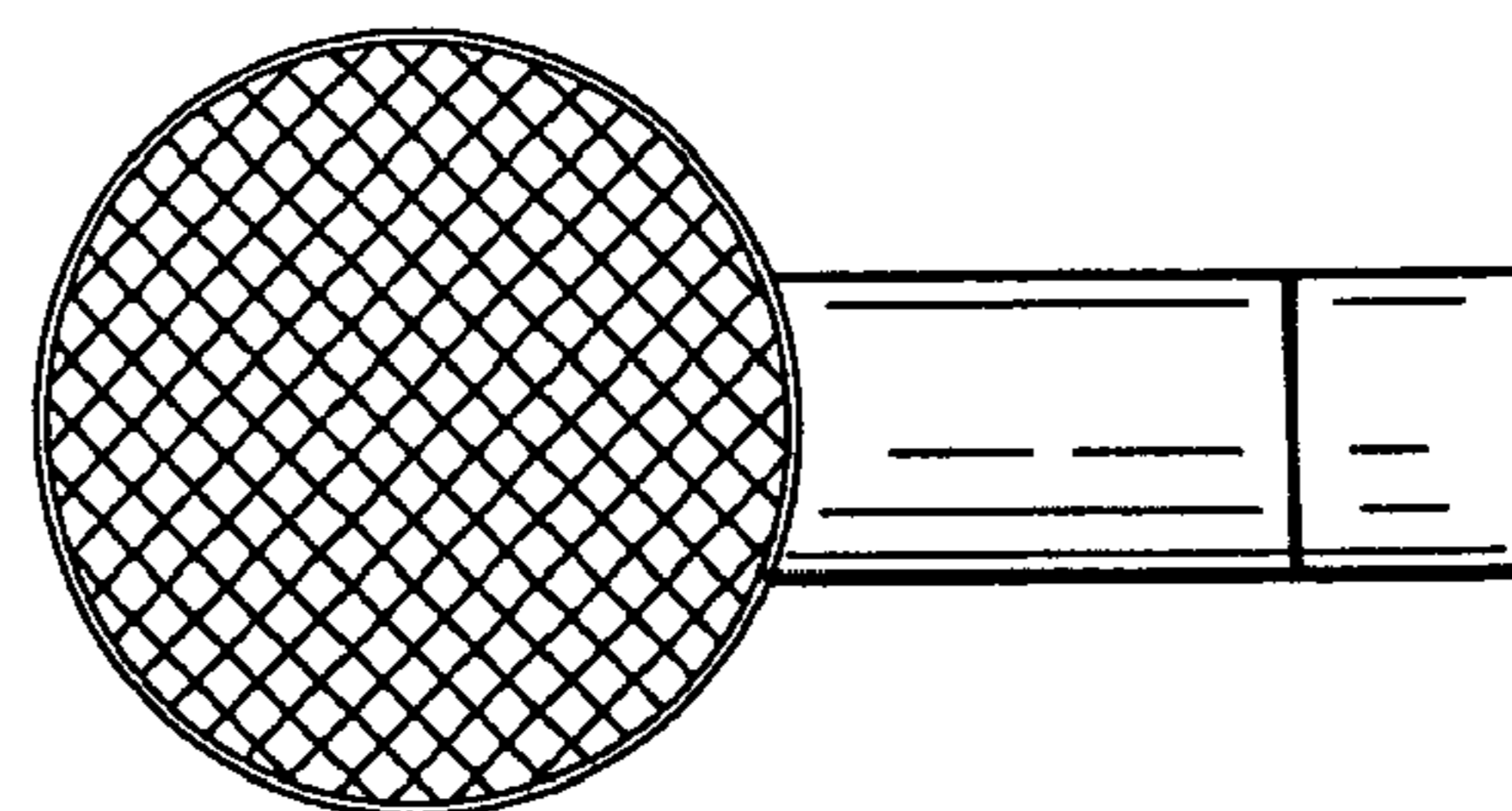


Fig. 7