



US00D552727S

(12) **United States Design Patent** (10) **Patent No.:** **US D552,727 S**
Pickett et al. (45) **Date of Patent:** **** Oct. 9, 2007**

(54) **CEILING FAN HOUSING**

(57) **CLAIM**

(76) Inventors: **Mark Pickett**, 1419 E. Palm St.,
 Altadena, CA (US) 91001; **Joel Bell**,
 10865 Washington Blvd., Culver City,
 CA (US) 90232

The ornamental design for a ceiling fan housing, as shown and described.

(**) Term: **14 Years**

DESCRIPTION

(21) Appl. No.: **29/264,657**

FIG. 1 is a top perspective view of a ceiling fan housing showing our new design;

(22) Filed: **Aug. 15, 2006**

FIG. 2 is a bottom perspective view thereof;

(51) **LOC (8) Cl.** **23-04**

FIG. 3 is a front elevational view thereof, the opposing rear elevational view being substantially the same thereof;

(52) **U.S. Cl.** **D23/411**

(58) **Field of Classification Search** D23/411,
 D23/377, 379, 385; 416/5; 392/364
 See application file for complete search history.

FIG. 4 is a left side elevational view thereof, the opposing right side elevational view being substantially the same thereof;

(56) **References Cited**

FIG. 5 is a top plan view thereof; and,

U.S. PATENT DOCUMENTS

FIG. 6 is a bottom plan view thereof.

D396,532 S * 7/1998 Tsuji D23/411
 D407,154 S * 3/1999 Thomas D23/411

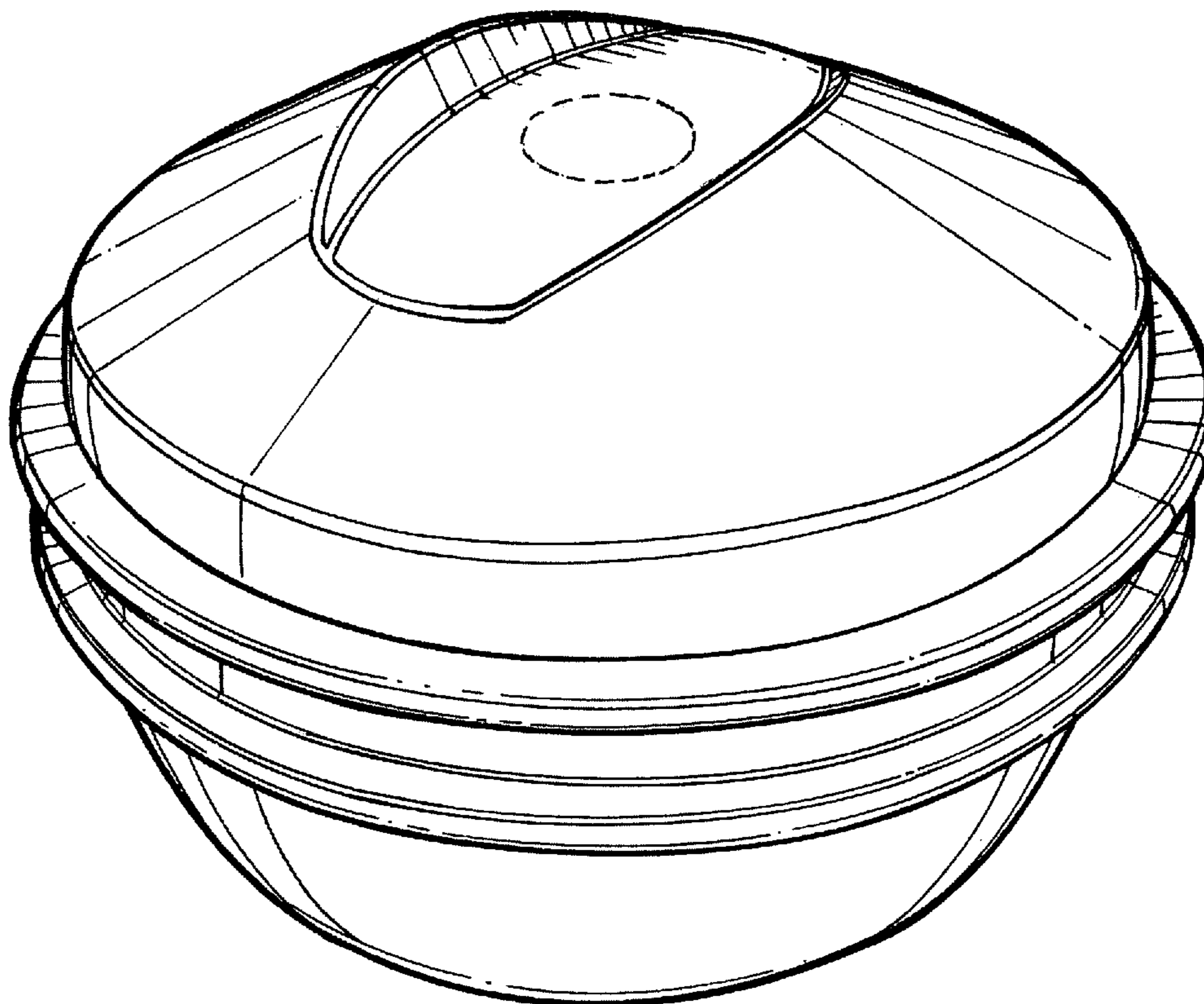
The dashed lines in FIGS. 1 and 5 show environmental features, which are for illustrative purposes only and form no part of the claimed design.

* cited by examiner

The broken line showing of the opening where a support pole goes is included for the purpose of illustrating environmental structure and forms no part of the claimed design.

Primary Examiner—Lisa Lichtenstein
 (74) *Attorney, Agent, or Firm*—Parsons & Goltry; Michael
 W. Goltry; Robert A. Parsons

1 Claim, 6 Drawing Sheets



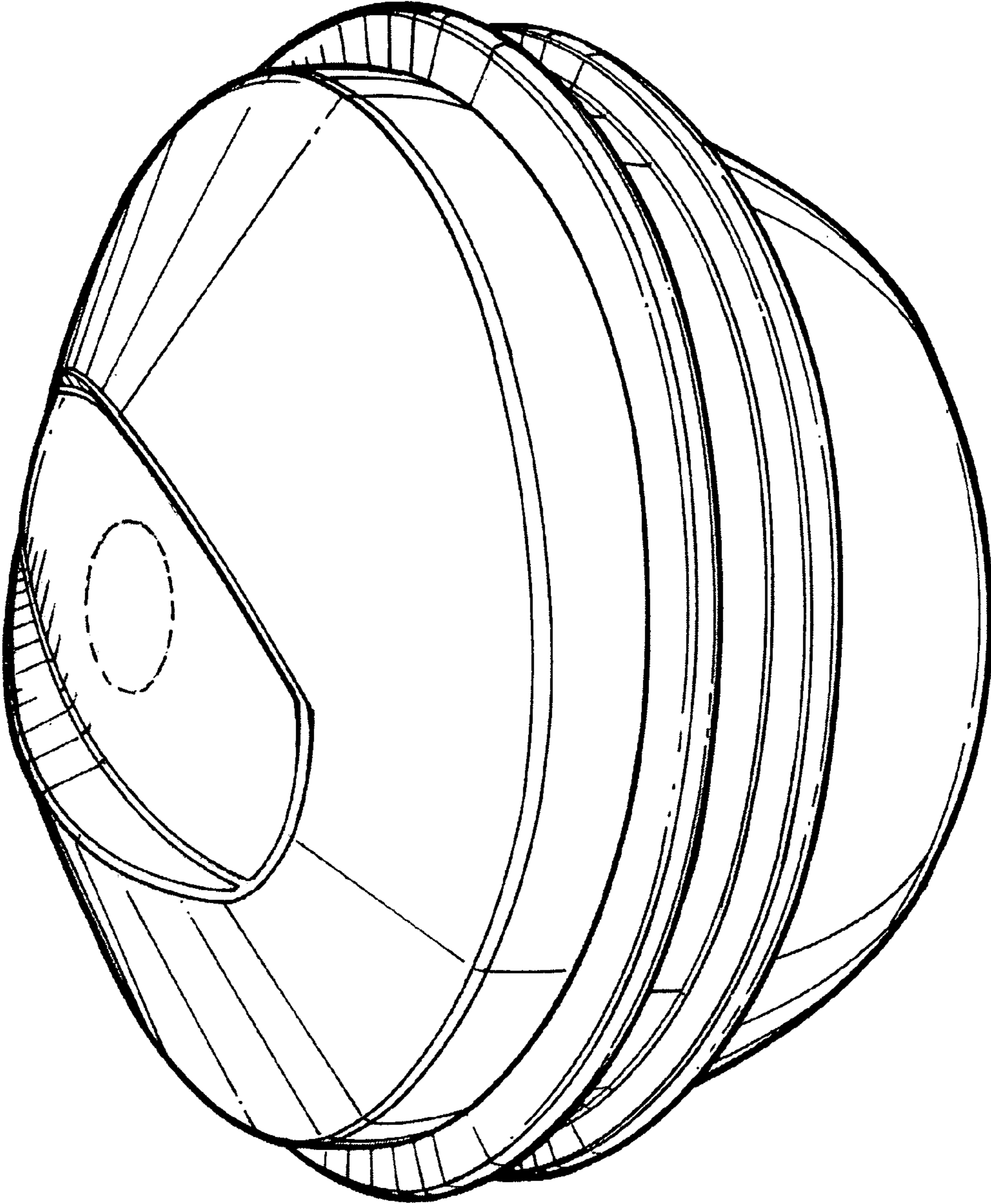


FIGURE 1

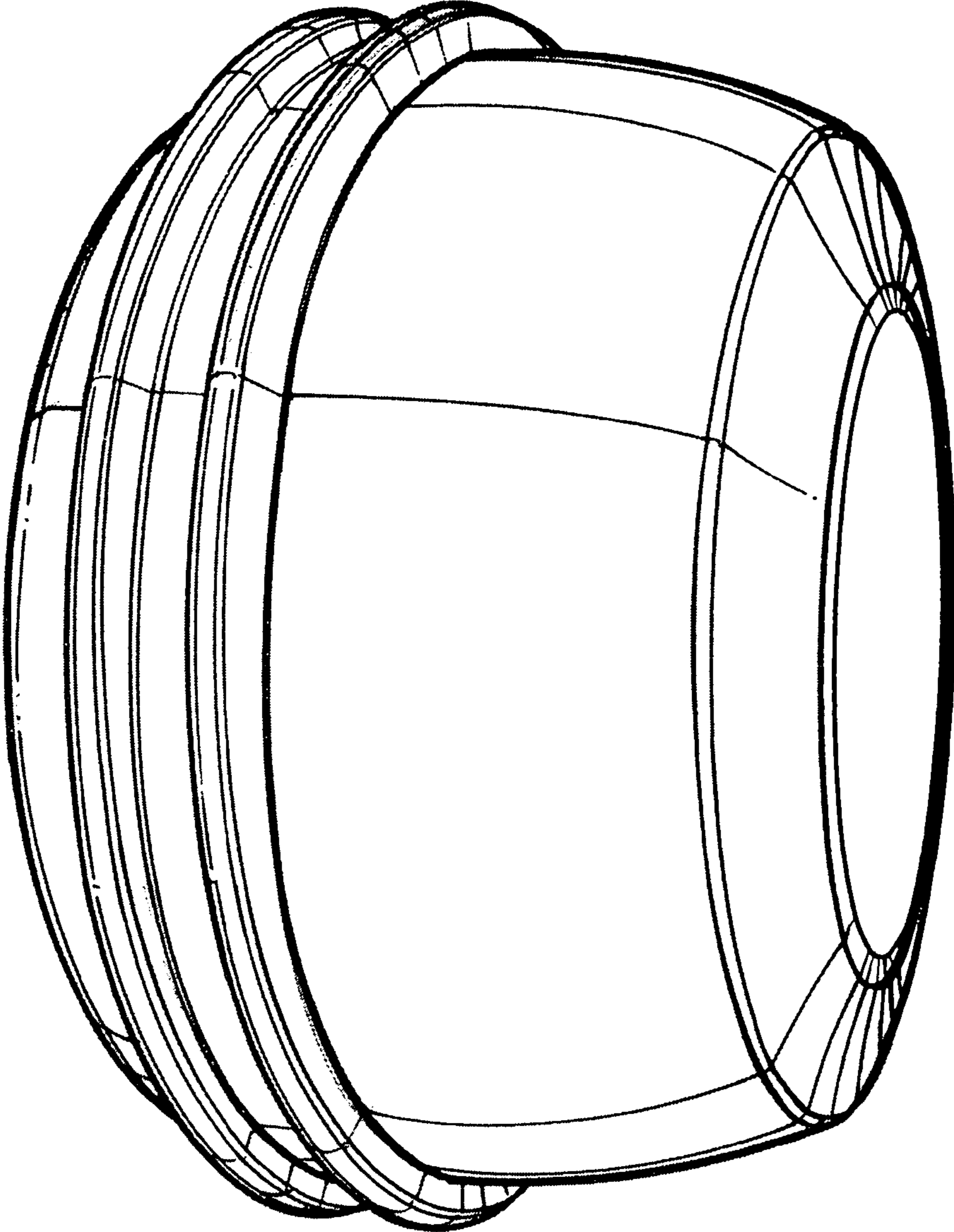


FIGURE 2

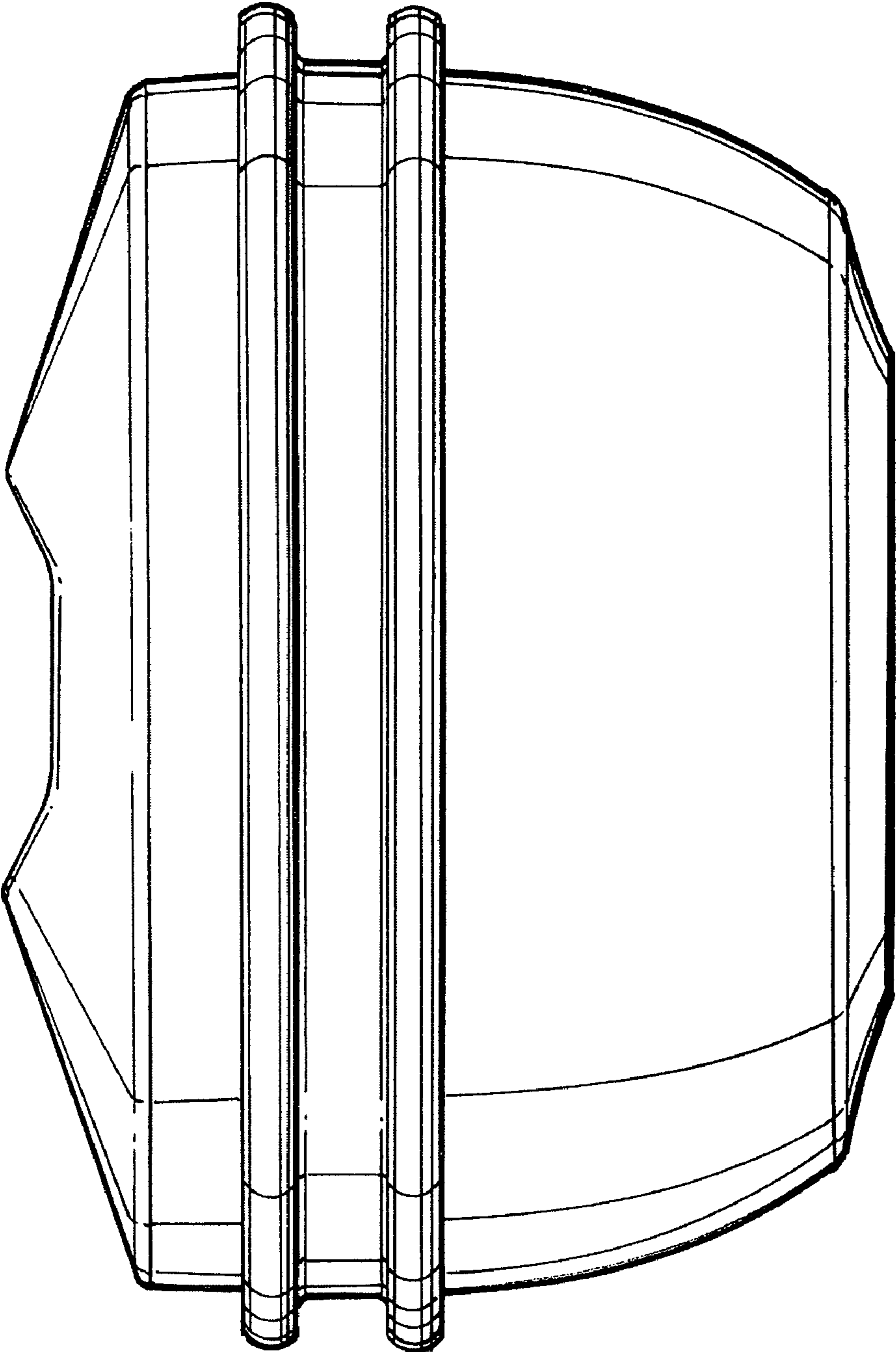


FIGURE 3

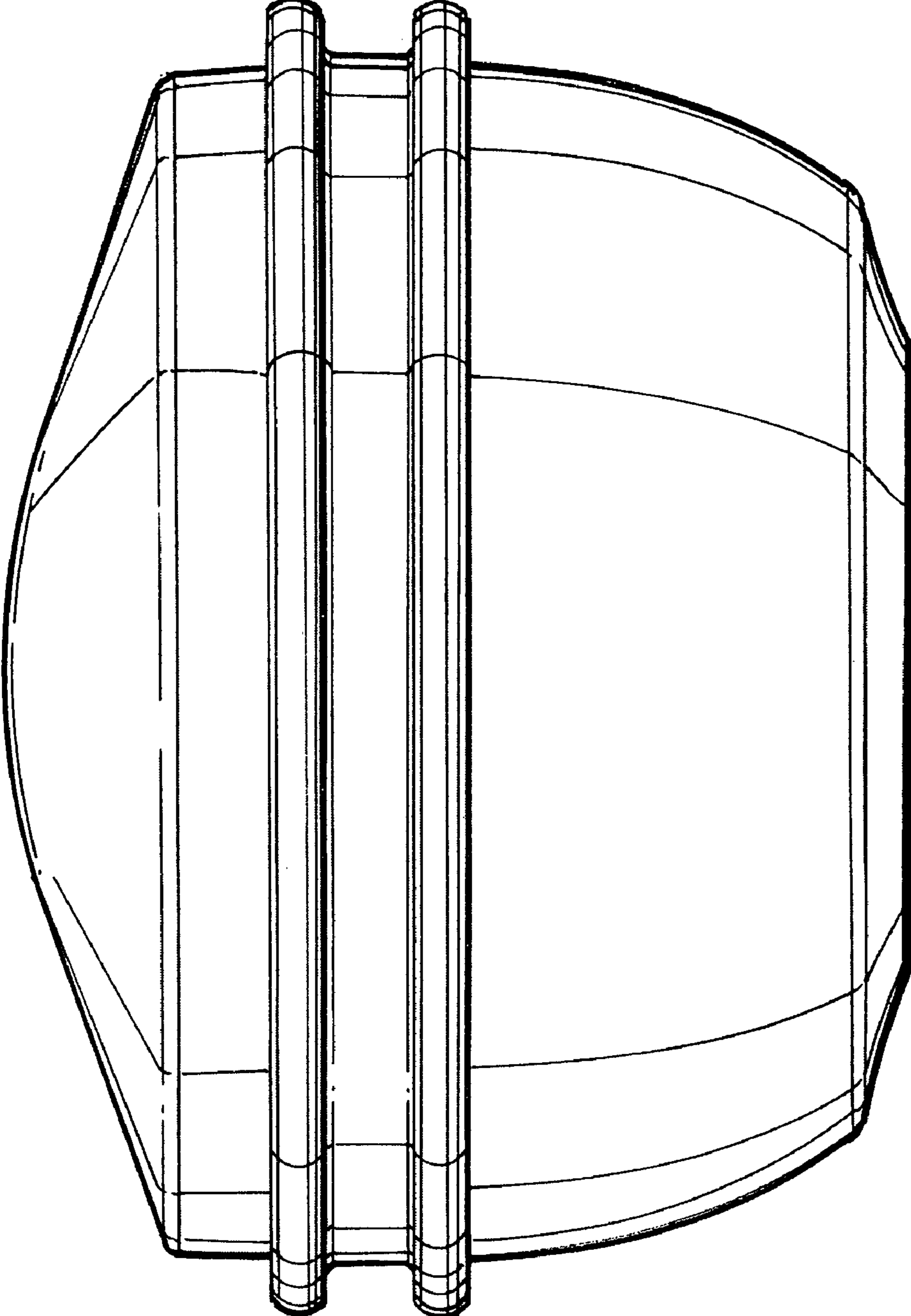


FIGURE 4

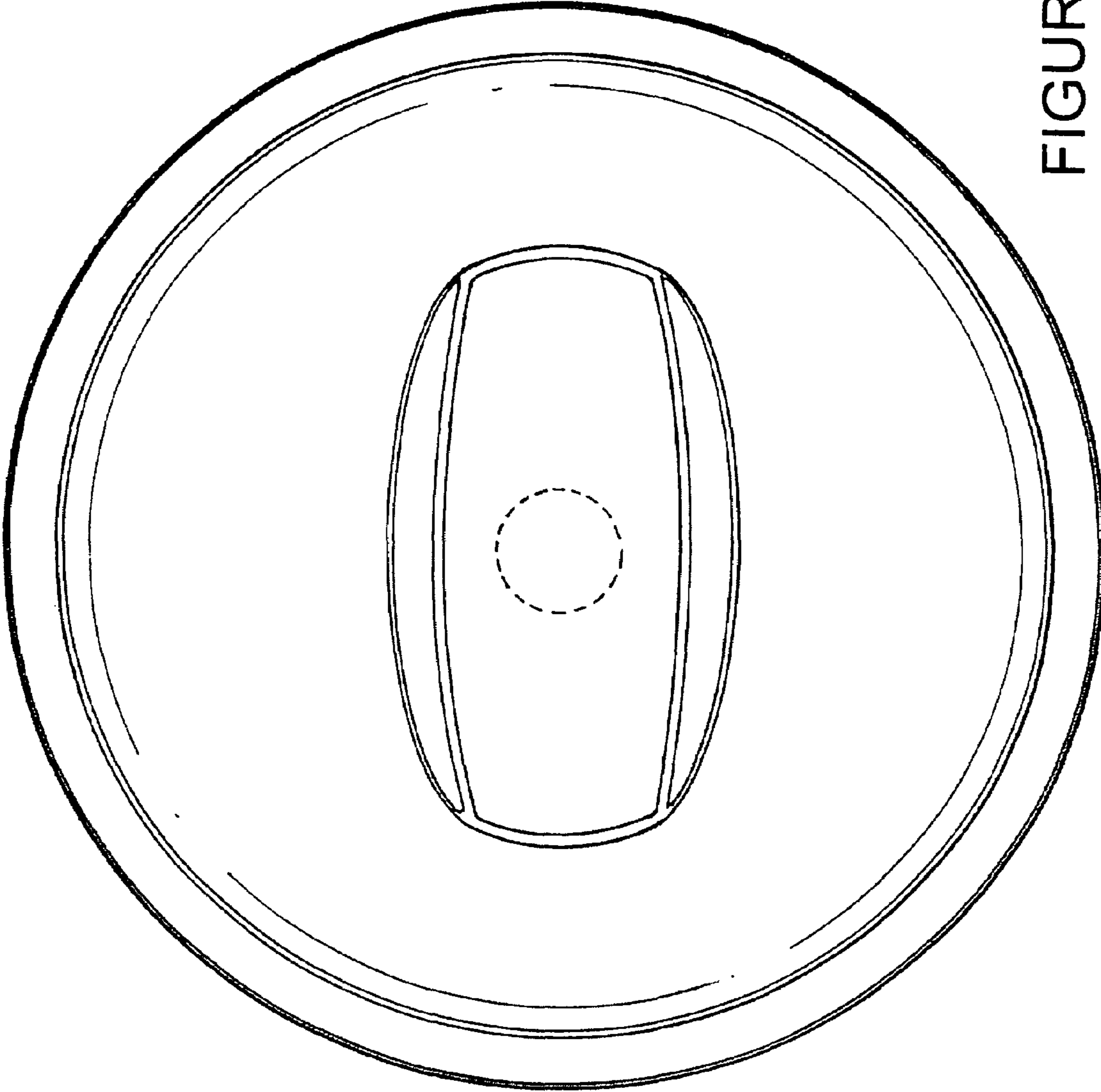


FIGURE 5

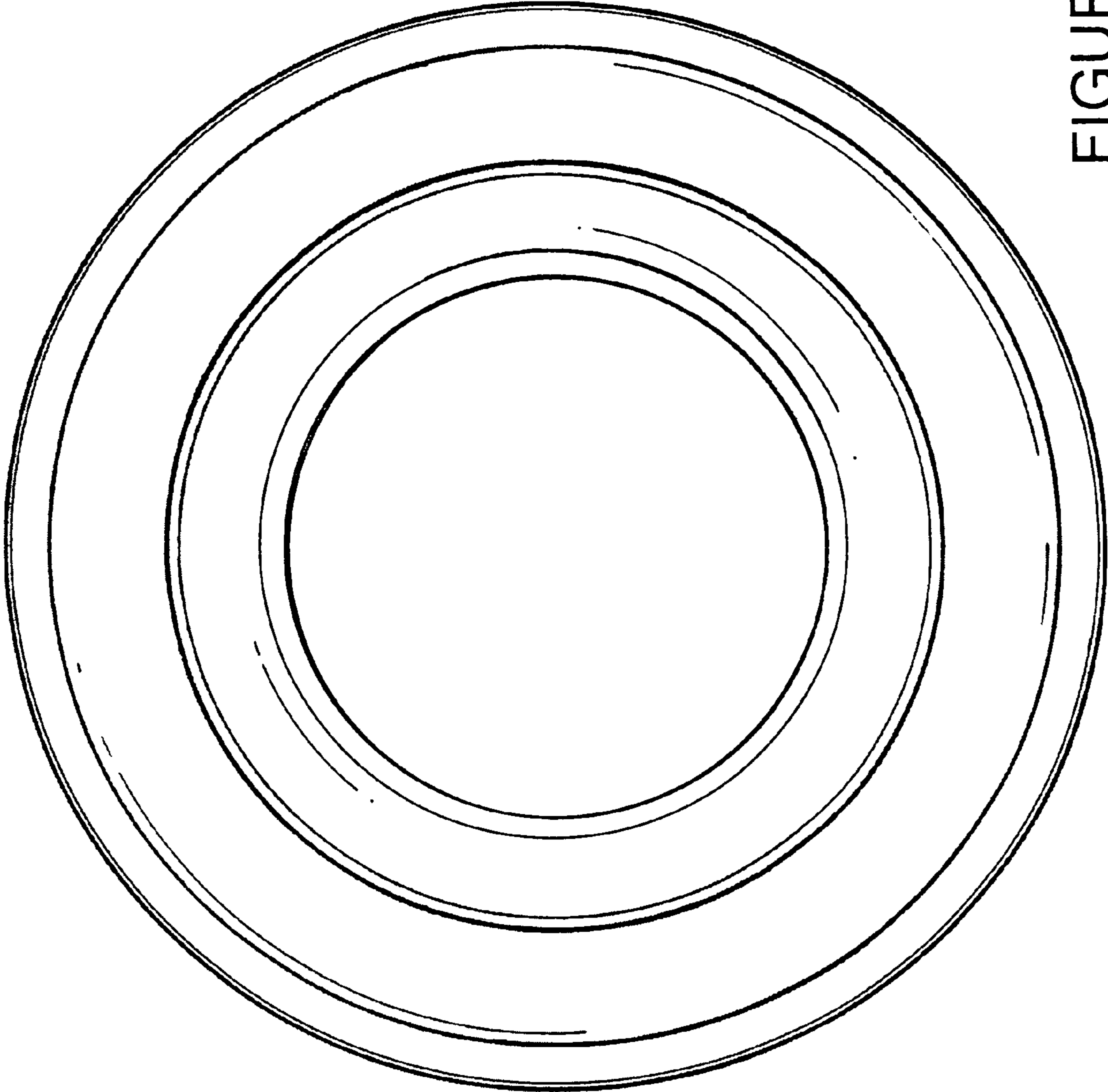


FIGURE 6