



US00D552726S

(12) **United States Design Patent**
Jacklich et al.

(10) **Patent No.:** **US D552,726 S**

(45) **Date of Patent:** **** Oct. 9, 2007**

(54) **DIRECT VENT CAP**

(75) Inventors: **John R. Jacklich**, Napa, CA (US); **Eric Adair**, Dixon, CA (US)

(73) Assignee: **Simpson Dura-Vent Company, Inc.**, Vacaville, CA (US)

(**) Term: **14 Years**

(21) Appl. No.: **29/229,192**

(22) Filed: **May 3, 2005**

(51) **LOC (8) Cl.** **23-04**

(52) **U.S. Cl.** **D23/393**

(58) **Field of Classification Search** D23/393,
D23/402, 403, 394, 386-388, 370-373, 343,
D23/339, 347; 126/85 B, 307 A, 307 R,
126/312, 80; 454/8, 353, 342, 354, 44, 42;
52/302.1, 219

See application file for complete search history.

(56) **References Cited**

U.S. PATENT DOCUMENTS

- 424,778 A 4/1890 Gee
- 678,079 A * 7/1901 Williams 52/219
- 757,348 A 4/1904 Ross
- 1,064,592 A 6/1913 Arnold
- 1,890,930 A * 12/1932 Blackmore 126/307 R
- D127,575 S * 6/1941 Barclay D23/387
- D155,345 S * 9/1949 Johnson D23/373
- 2,711,683 A 6/1955 Ryder
- 2,755,794 A 7/1956 Wendell
- 3,136,309 A 6/1964 Martz
- 3,435,816 A 4/1969 Werth
- D230,023 S * 1/1974 Haney D23/403
- 3,874,363 A 4/1975 Biedenbender et al.
- 3,994,280 A 11/1976 Winters et al.
- 4,138,062 A 2/1979 Graden
- D256,156 S * 7/1980 Garritson D23/393

- D261,924 S * 11/1981 Donohue D23/386
- 4,349,009 A 9/1982 Patterson et al.
- 4,580,548 A 4/1986 Ono
- D296,584 S * 7/1988 Hilton D23/370
- D304,367 S * 10/1989 Saas D23/373
- 4,893,608 A 1/1990 Reaser
- D309,658 S * 7/1990 Schneider D23/370
- D317,820 S * 6/1991 Buehler D23/403
- D320,650 S * 10/1991 Kujawa et al. D23/393
- 5,451,183 A 9/1995 Dahlin
- 5,562,088 A 10/1996 Valters et al.
- 5,680,856 A 10/1997 van Dijk
- 5,715,808 A 2/1998 Wilhoite
- 6,289,886 B1 9/2001 Radke
- 6,796,100 B1 * 9/2004 Venezia 52/302.1

* cited by examiner

Primary Examiner—Louis Zarfaz

Assistant Examiner—David G. Muller

(74) *Attorney, Agent, or Firm*—Vierra Magen Marcus & DeNiro LLP

(57) **CLAIM**

The ornamental design for a direct vent cap, as shown and described.

DESCRIPTION

FIG. 1 is a perspective view of the vent cap.

FIG. 2 is a front view of the vent cap.

FIG. 3 is a rear view of the vent cap.

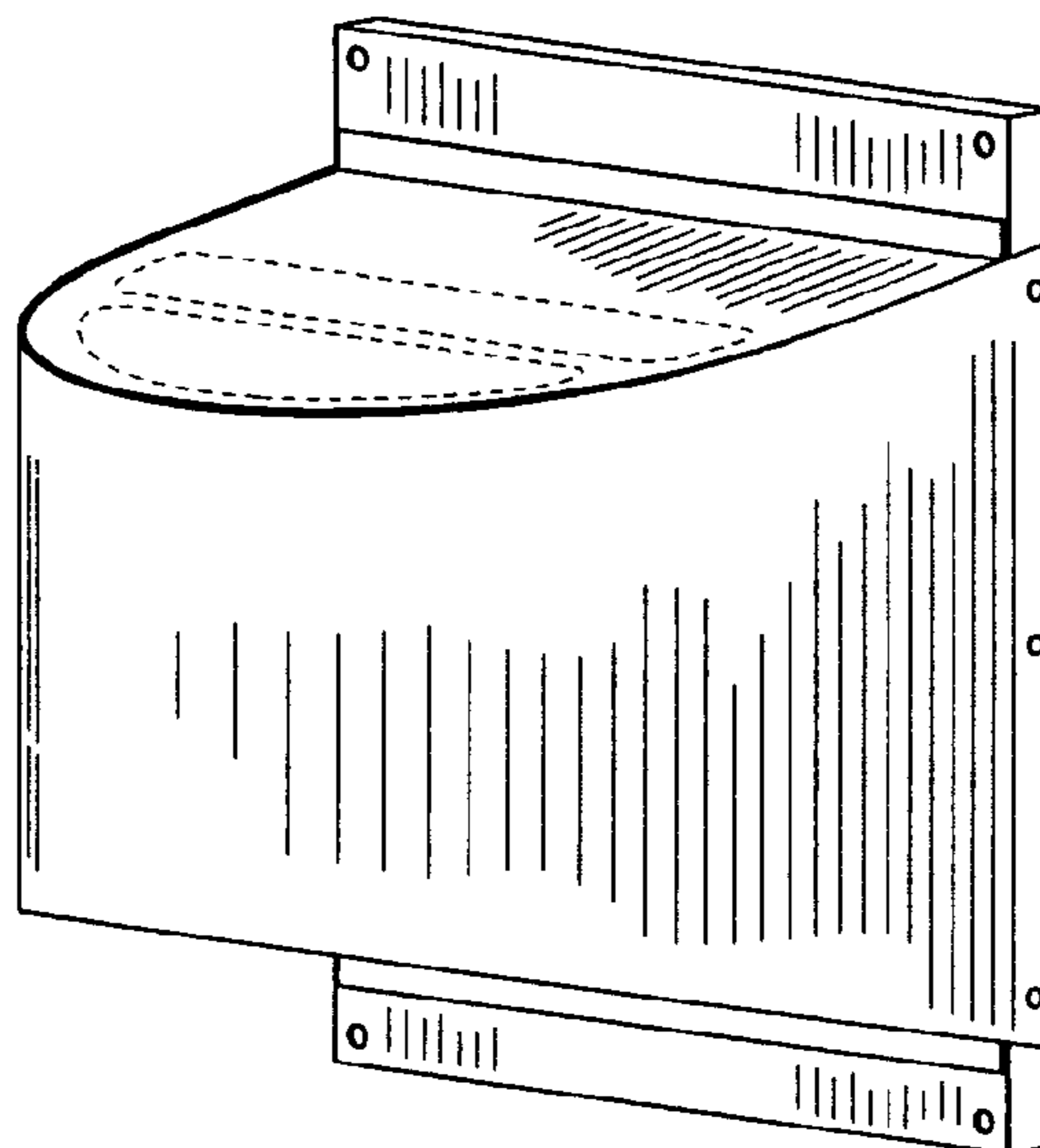
FIG. 4 is a side view of the vent cap.

FIG. 5 is a top view of the vent cap; and,

FIG. 6 is a bottom view of the vent cap.

The broken lines showing holes in the vent are for illustrative purposes only and form no part of the claimed design.

1 Claim, 3 Drawing Sheets



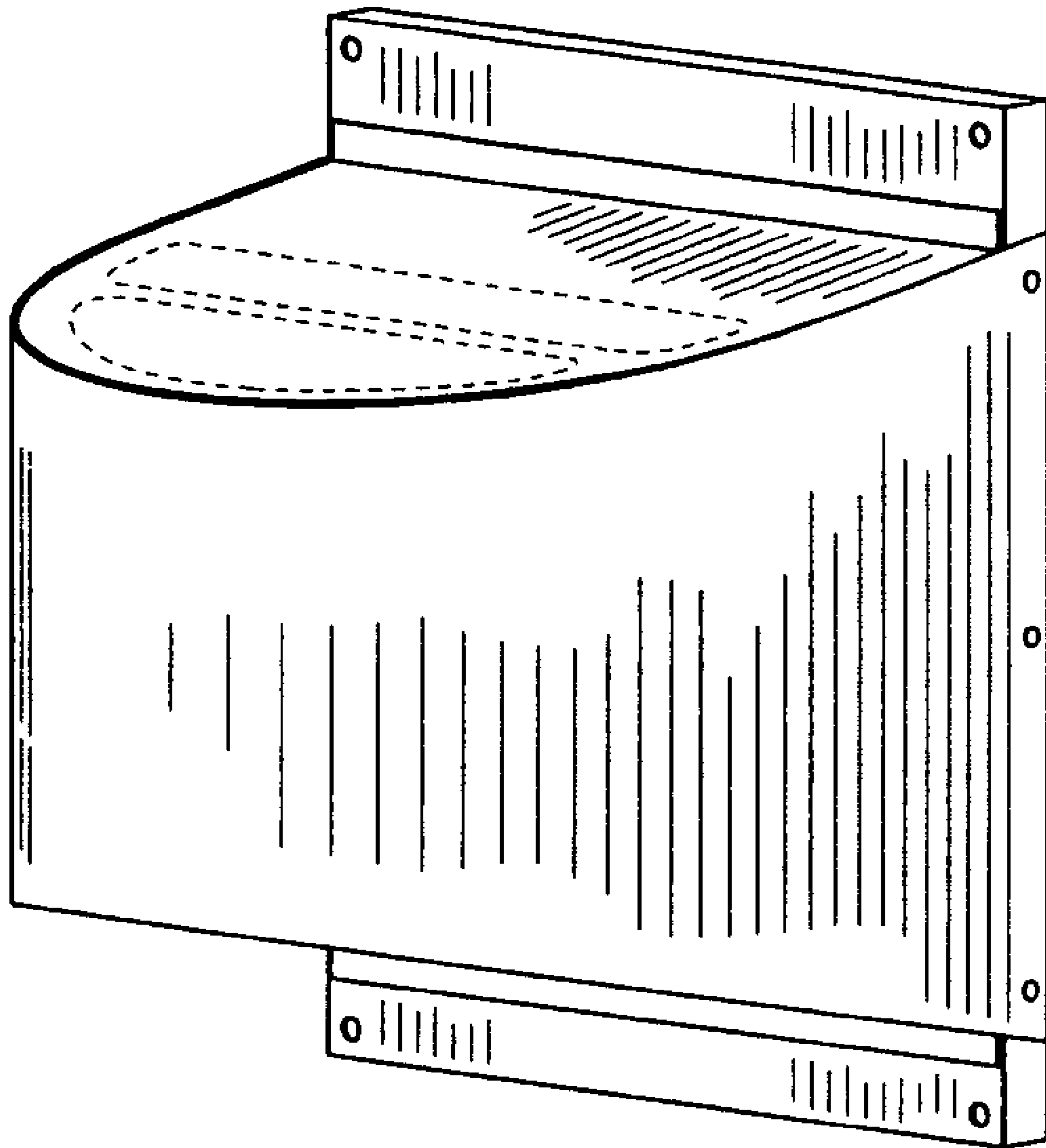


FIG. 1

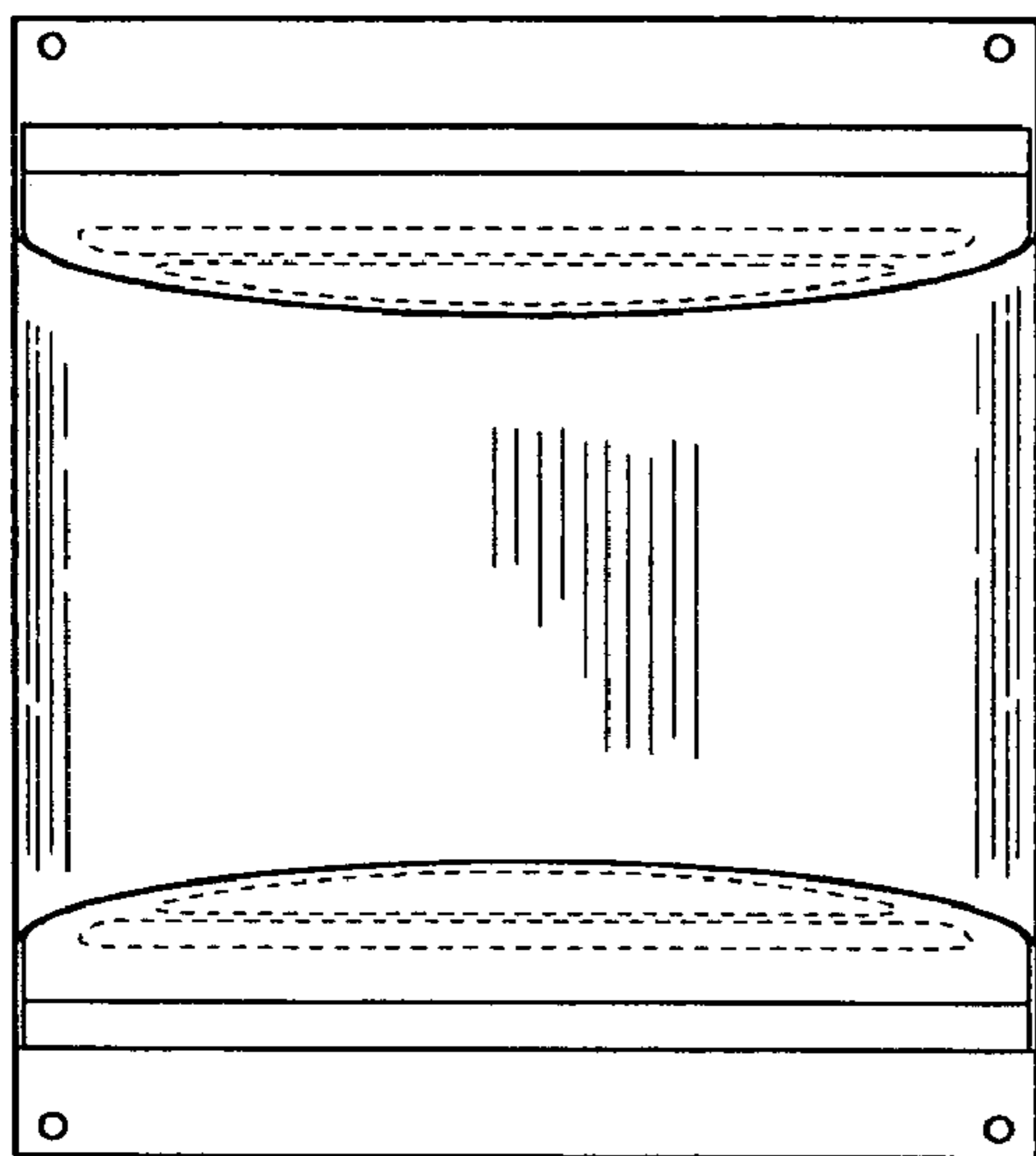


FIG. 2

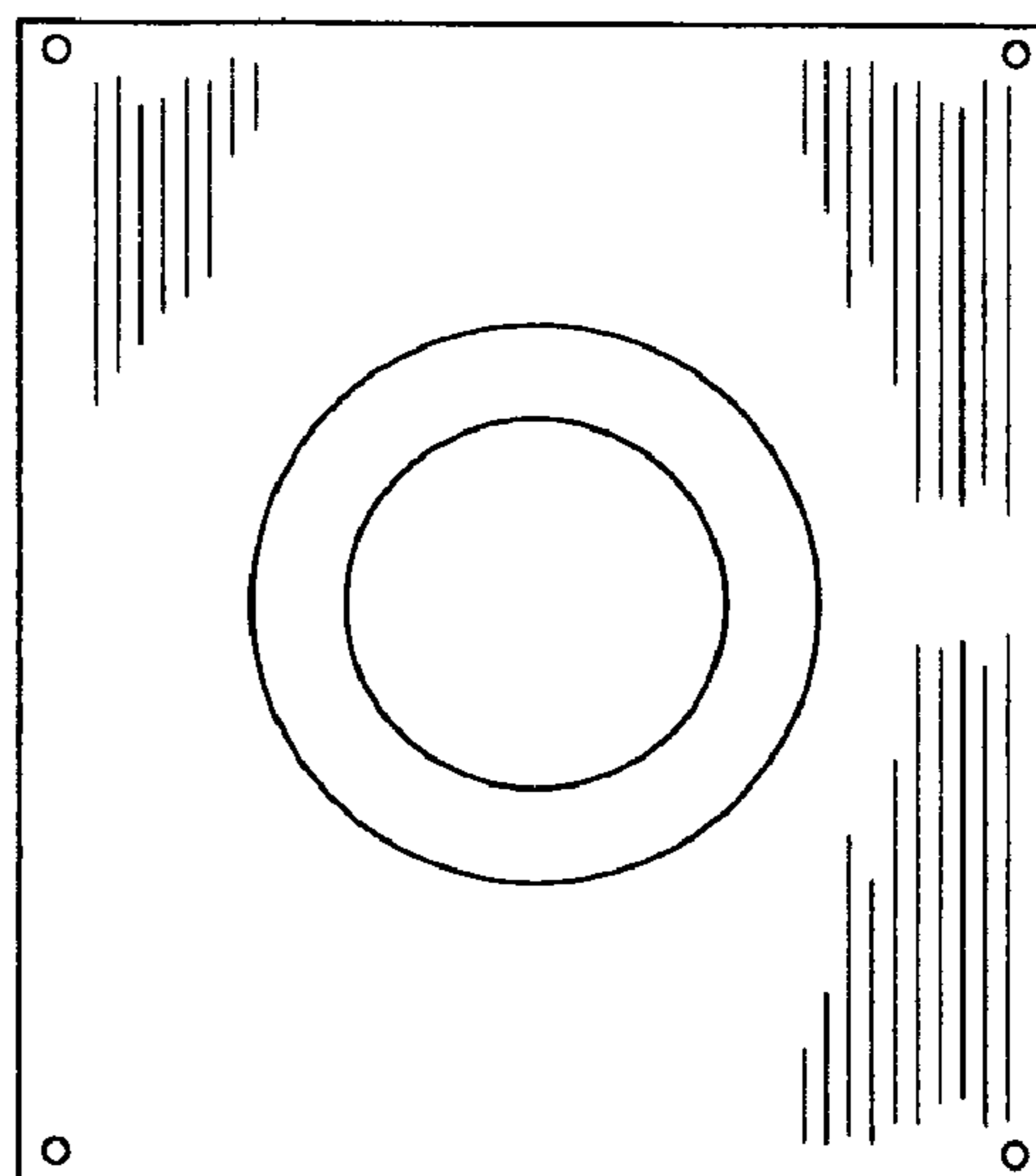


FIG. 3

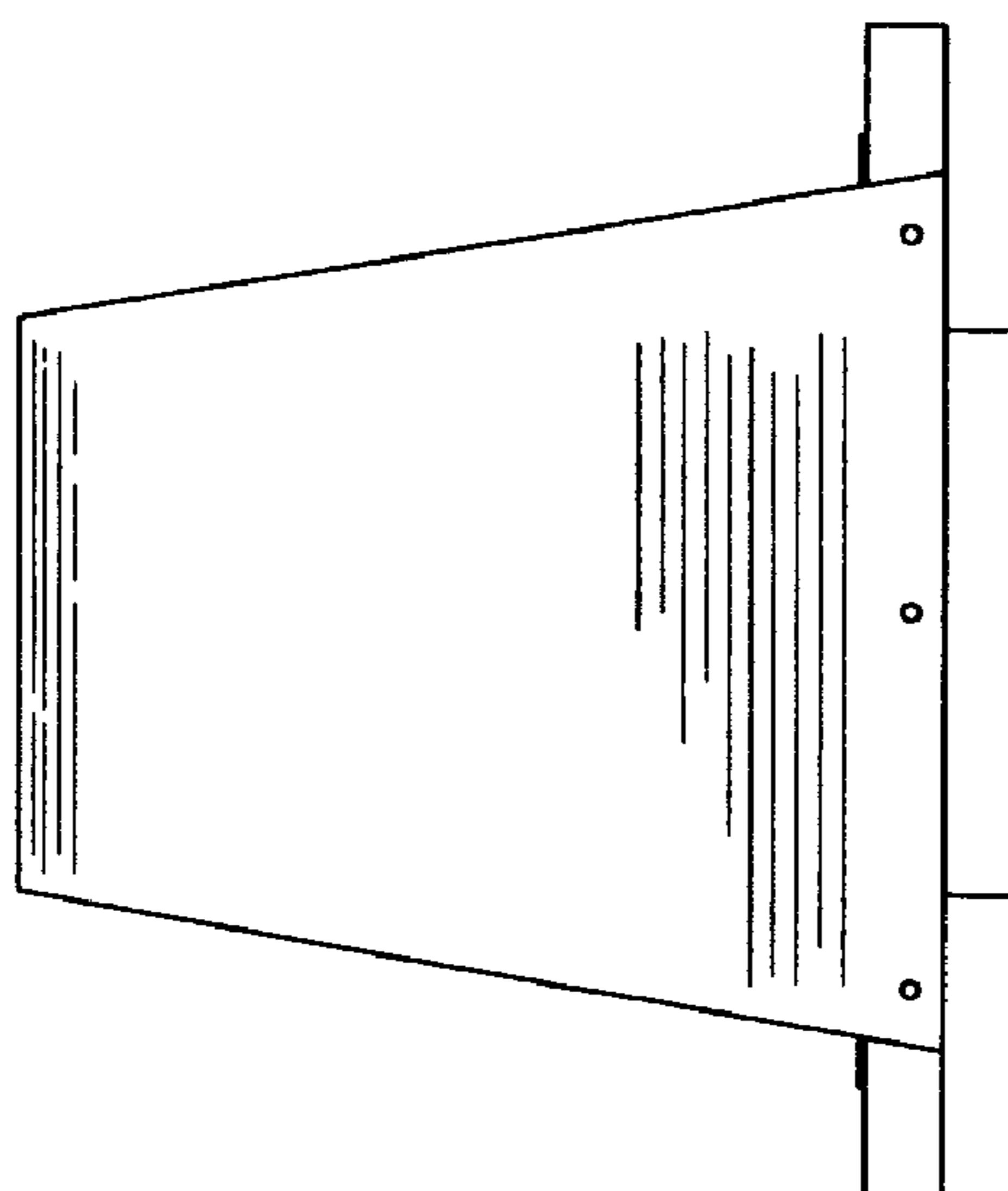


FIG. 4

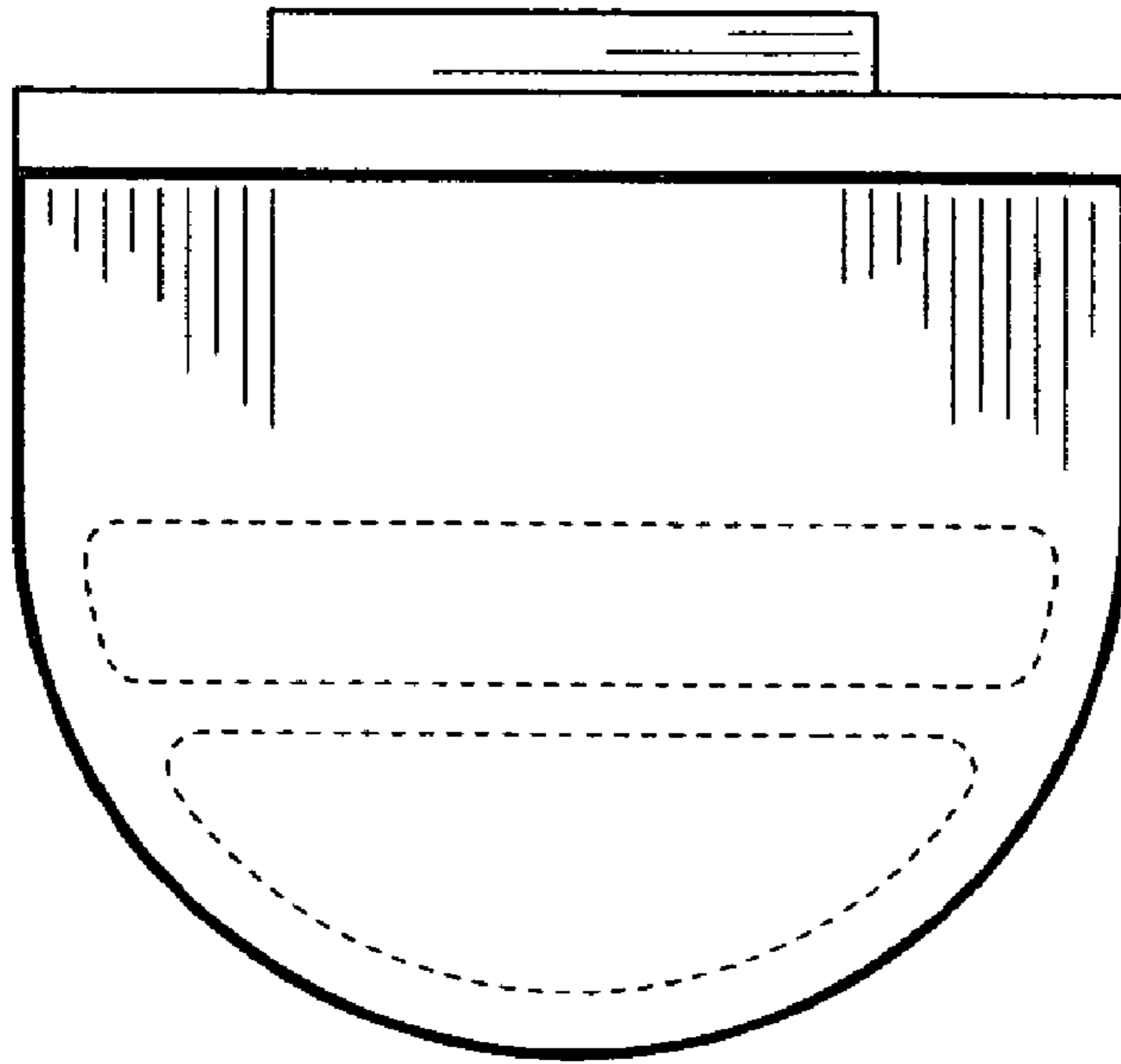


FIG. 5

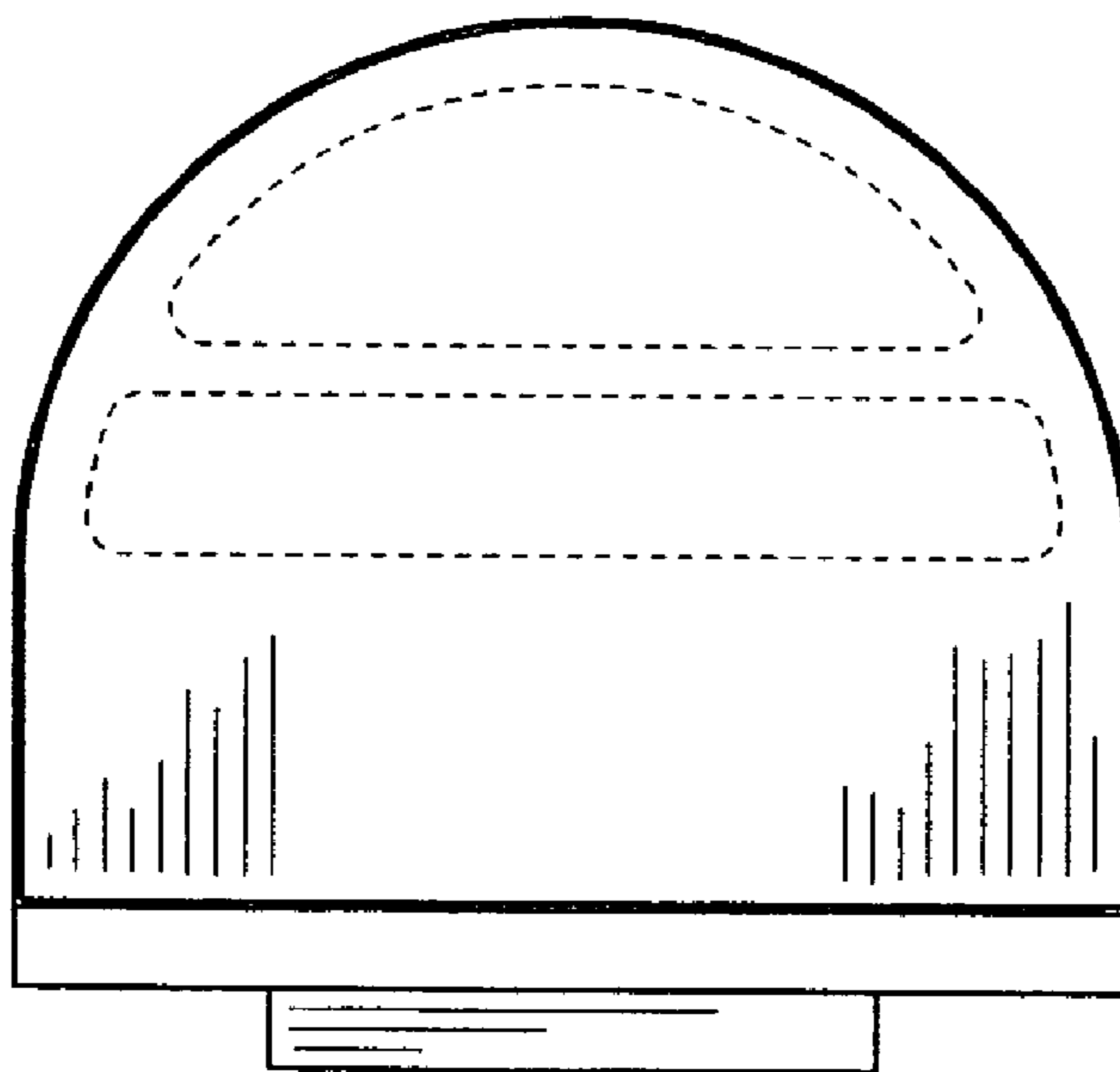


FIG. 6