



US00D552723S

(12) **United States Design Patent**  
**Sakata et al.**

(10) **Patent No.:** **US D552,723 S**

(45) **Date of Patent:** **\*\* Oct. 9, 2007**

(54) **CHEMICAL VAPORIZER**

(75) Inventors: **Tetsuo Sakata**, Tokyo (JP); **Tsuguhiko Morinaga**, Osaka (JP)

(73) Assignee: **Dainihon Jochugiku Co., Ltd.**, Osaka-shi (JP)

(\*\*) Term: **14 Years**

(21) Appl. No.: **29/261,721**

(22) Filed: **Jun. 20, 2006**

(30) **Foreign Application Priority Data**

Dec. 21, 2005 (JP) ..... 2005-037566

(51) **LOC (8) Cl.** ..... **23-04**

(52) **U.S. Cl.** ..... **D23/360**

(58) **Field of Classification Search** ..... D23/360,  
D23/362-366, 355, 356, 359, 352, 369, 332,  
D23/333, 335, 336, 342, 381, 387; 422/120,  
422/122; 55/356, 473, 504; 210/497.1;  
96/97, 63; D14/188, 170; D24/110; 361/231;  
D22/122

See application file for complete search history.

(56) **References Cited**

**U.S. PATENT DOCUMENTS**

D286,323 S *	10/1986	Haworth	.....	D23/366
D296,819 S *	7/1988	Suhajda	.....	D23/360
D296,820 S *	7/1988	Suhajda	.....	D23/363
D314,844 S *	2/1991	Baharad	.....	D24/110
5,065,272 A *	11/1991	Owen et al.	.....	361/231
D326,512 S *	5/1992	Bianco	.....	D23/355
D326,518 S *	5/1992	Verebelyi	.....	D24/110
D327,121 S *	6/1992	Ramsey et al.	.....	D23/355

D337,817 S *	7/1993	Brock	.....	D23/356
D355,961 S *	2/1995	Cunning	.....	D23/360
5,601,636 A *	2/1997	Glucksman	.....	96/63
D391,369 S *	2/1998	Anderson	.....	D24/110
D392,733 S *	3/1998	Gatzemeyer et al.	.....	D23/366
D400,973 S *	11/1998	Hall et al.	.....	D23/365
D433,091 S *	10/2000	Carey et al.	.....	D22/122
D464,720 S *	10/2002	Lohkamp	.....	D23/355
D485,340 S *	1/2004	Wu	.....	D23/366
D517,673 S *	3/2006	Yamamoto et al.	.....	D23/366
D528,643 S *	9/2006	Wang	.....	D23/364

\* cited by examiner

*Primary Examiner*—Louis Zarfaz

*Assistant Examiner*—David G. Muller

(74) *Attorney, Agent, or Firm*—Oliff & Berridge, PLC

(57) **CLAIM**

The ornamental design for a chemical vaporizer, as shown and described.

**DESCRIPTION**

FIG. 1 is a front view showing a chemical vaporizer of the present design;

FIG. 2 is a rear view thereof;

FIG. 3 is a left-side view thereof;

FIG. 4 is a right-side view thereof;

FIG. 5 is a top view thereof;

FIG. 6 is a bottom view thereof;

FIG. 7 is a cross-sectional view taken along line 7—7 of FIG. 1; and,

FIG. 8 is a cross-sectional view taken along line 8—8 of FIG. 1.

**1 Claim, 4 Drawing Sheets**

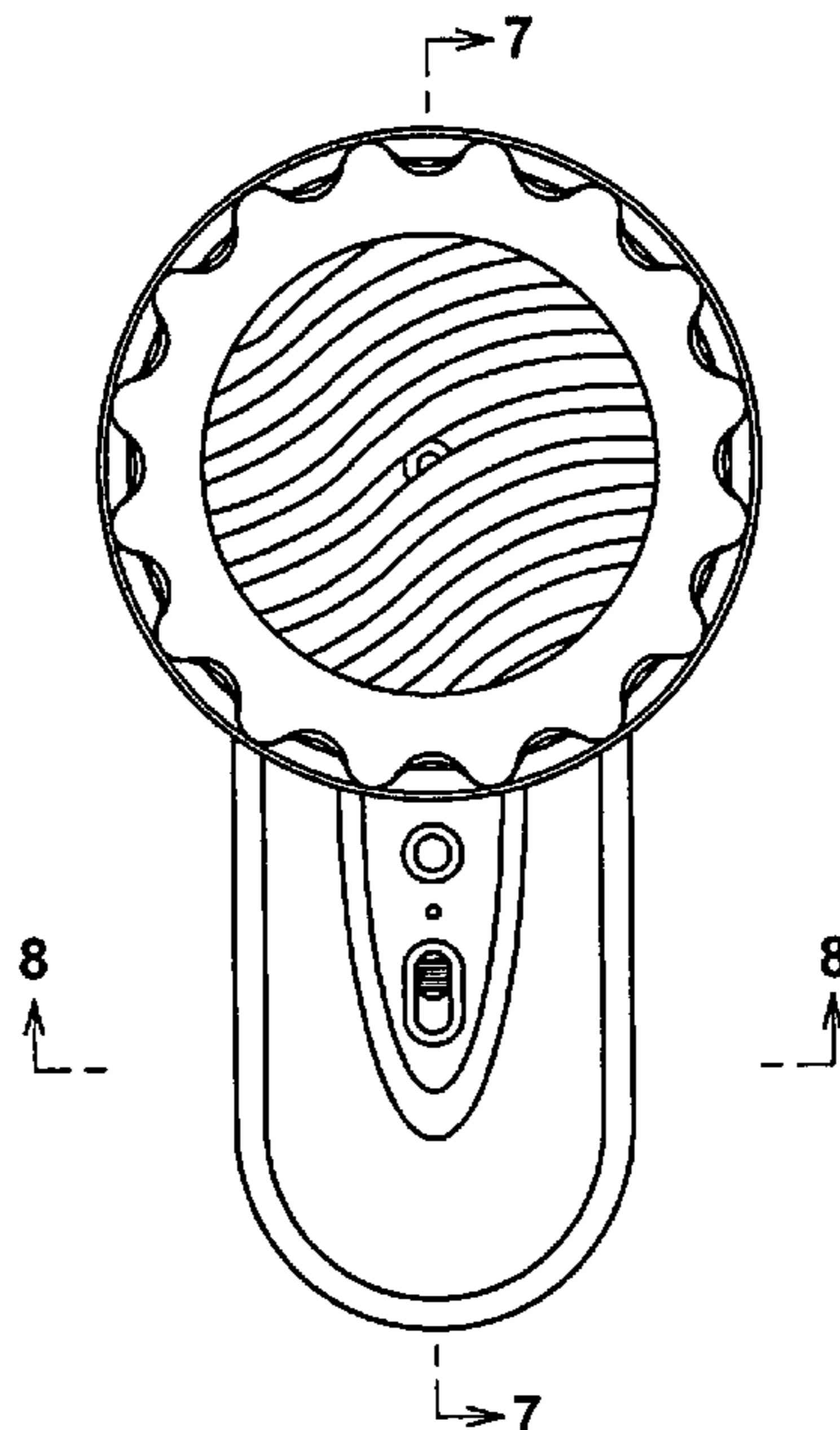


FIG. 1

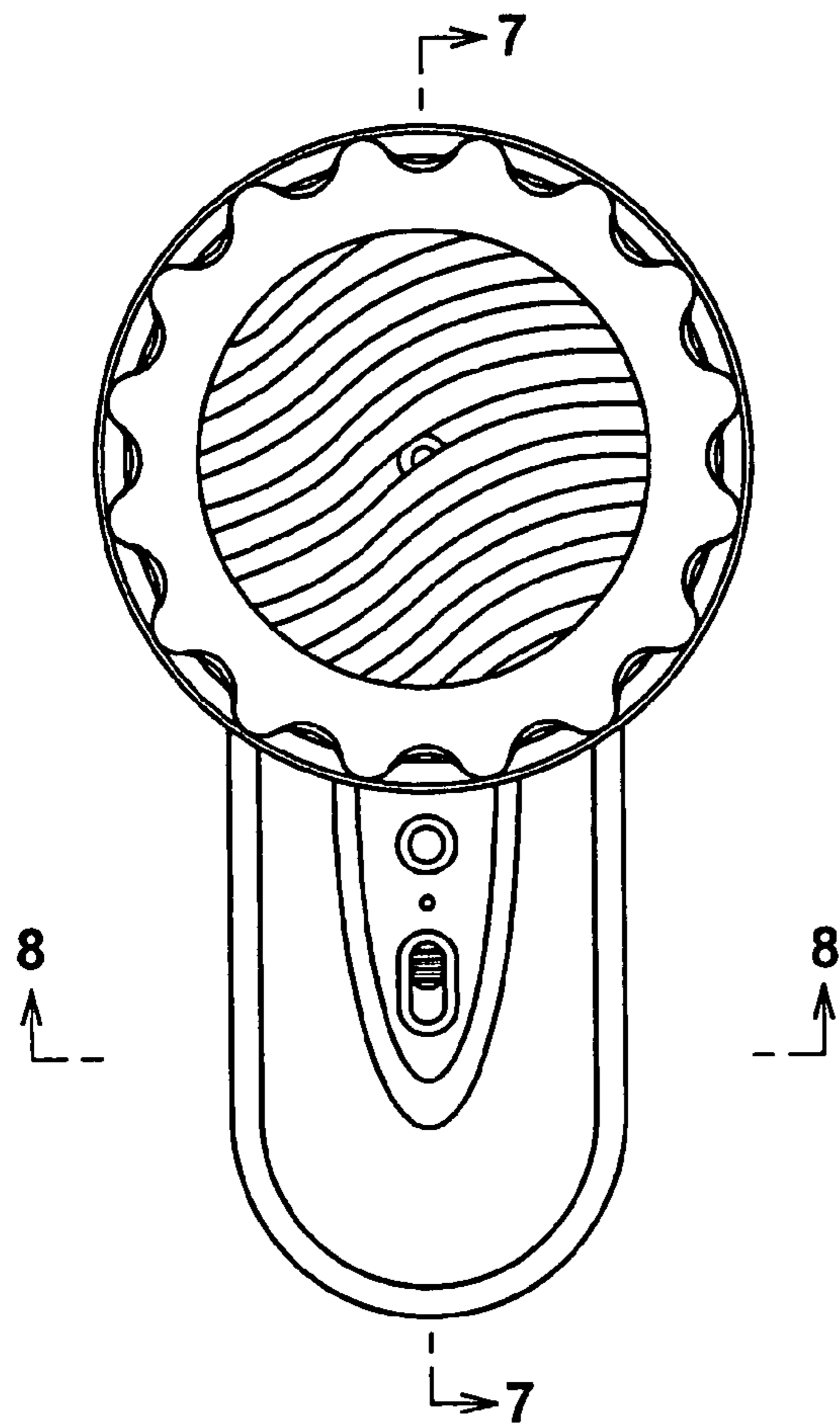


FIG. 2

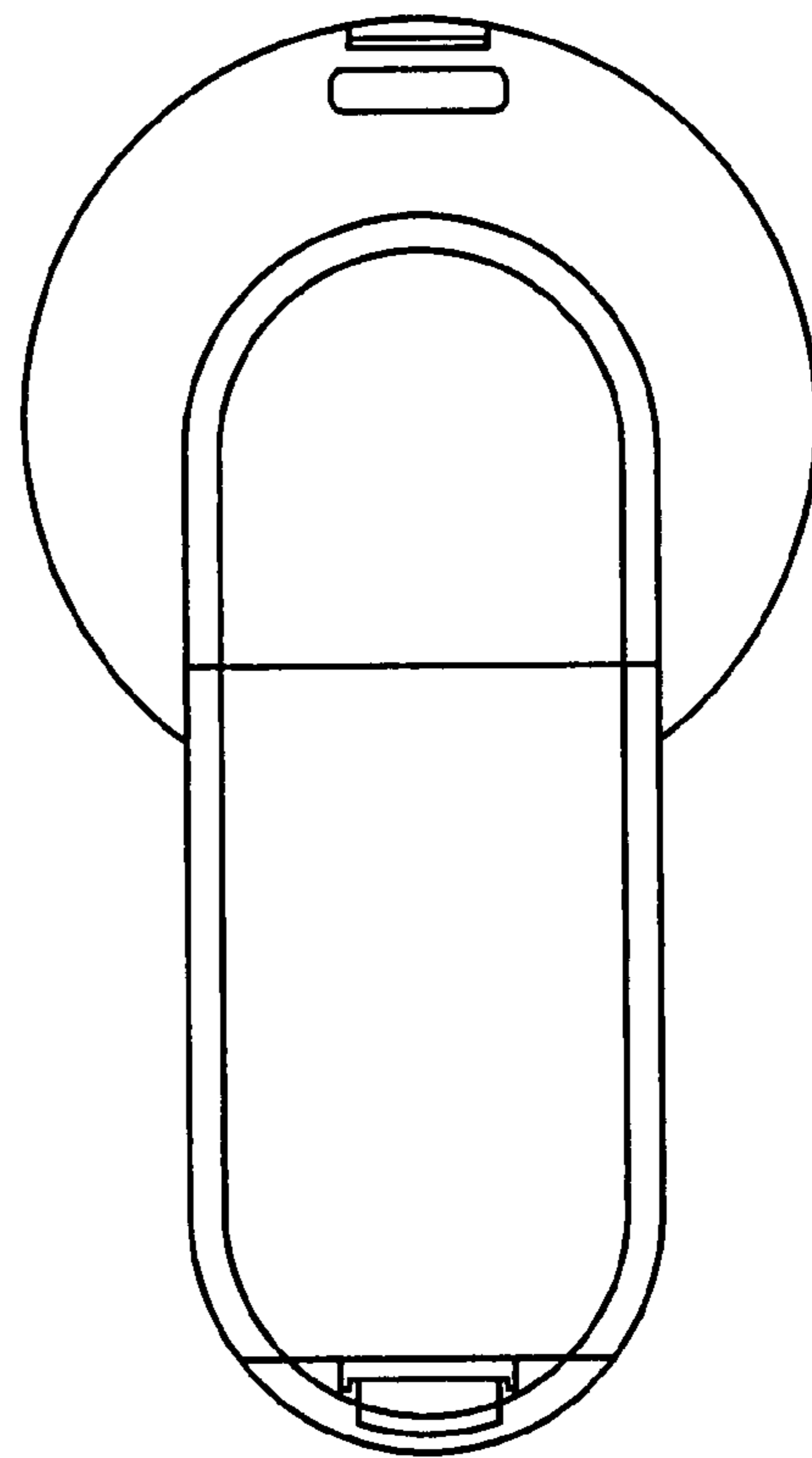


FIG. 3

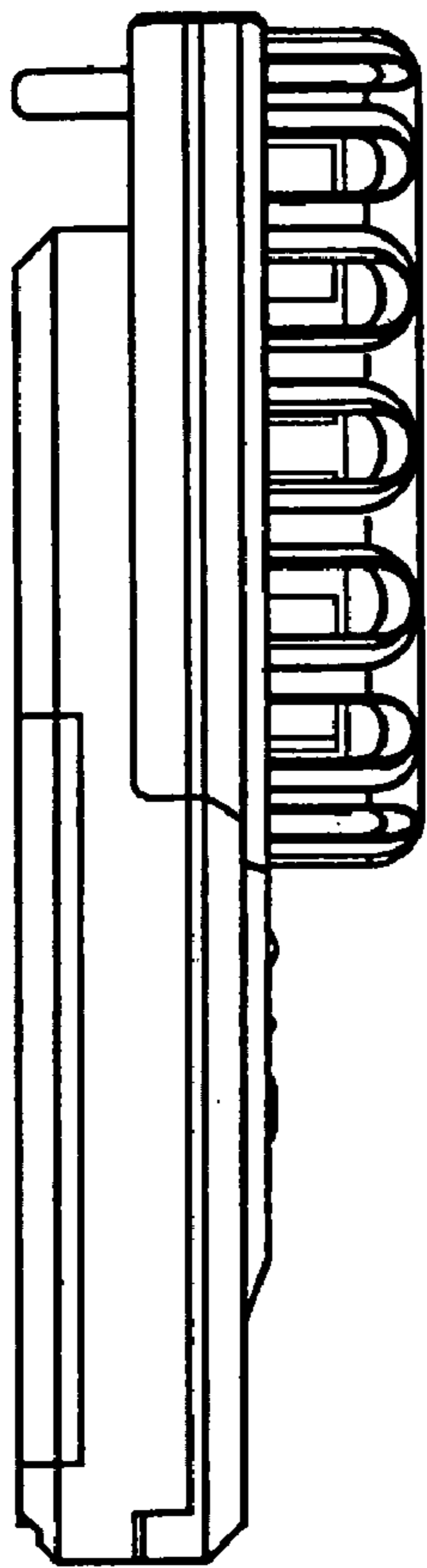


FIG. 4

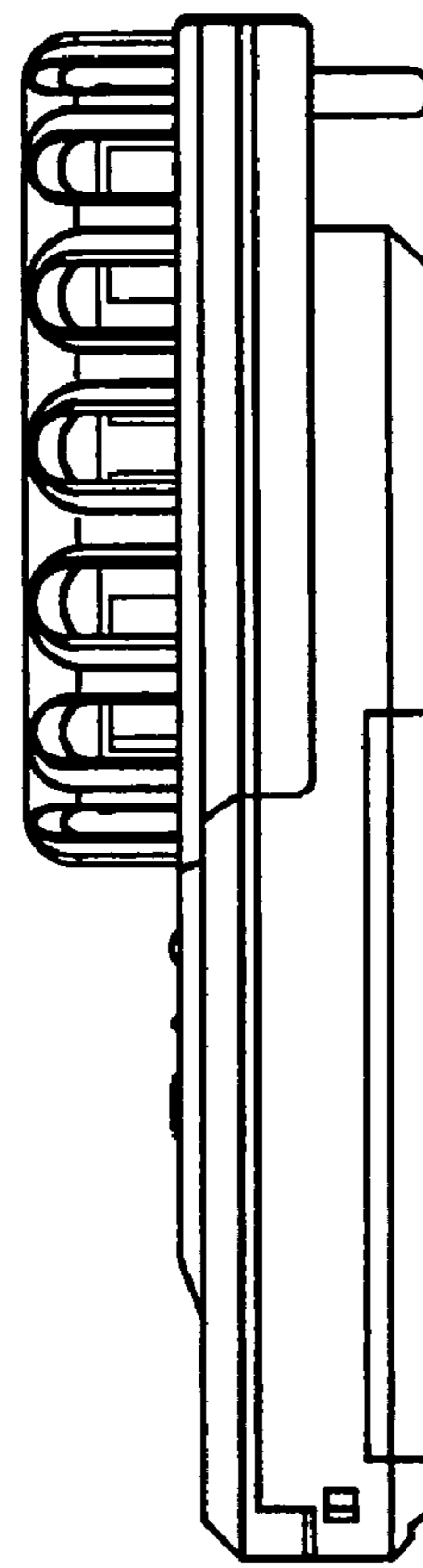


FIG. 5

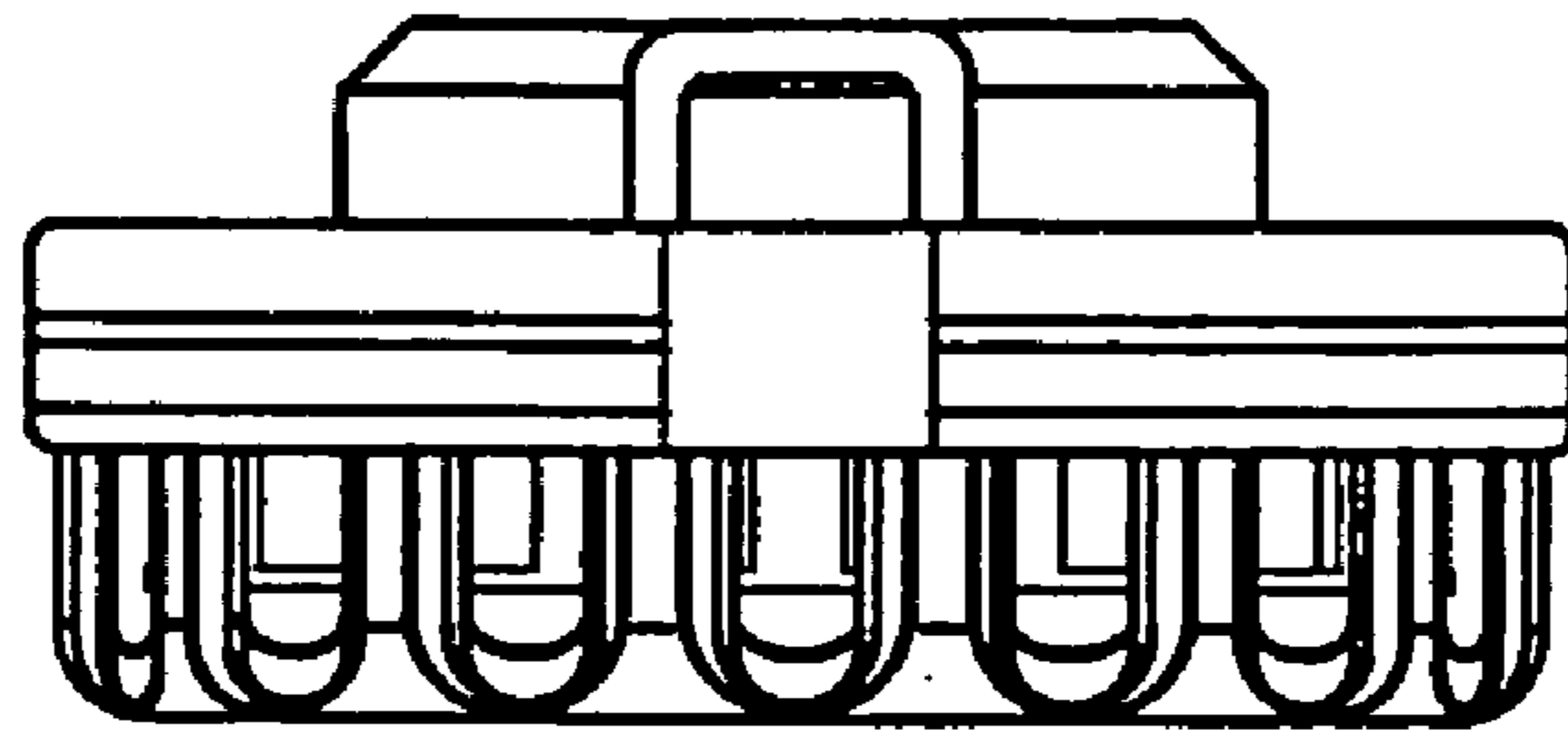


FIG. 6

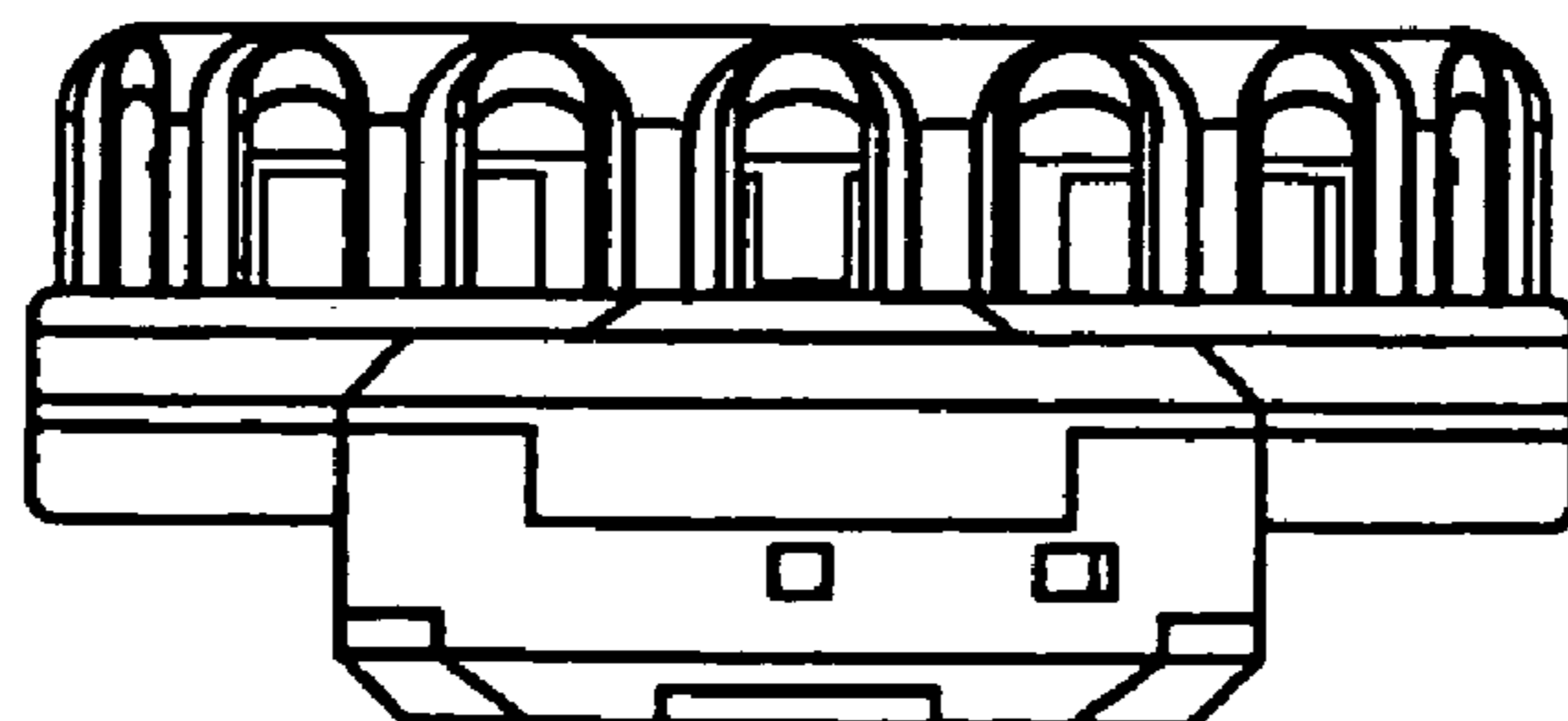


FIG. 7

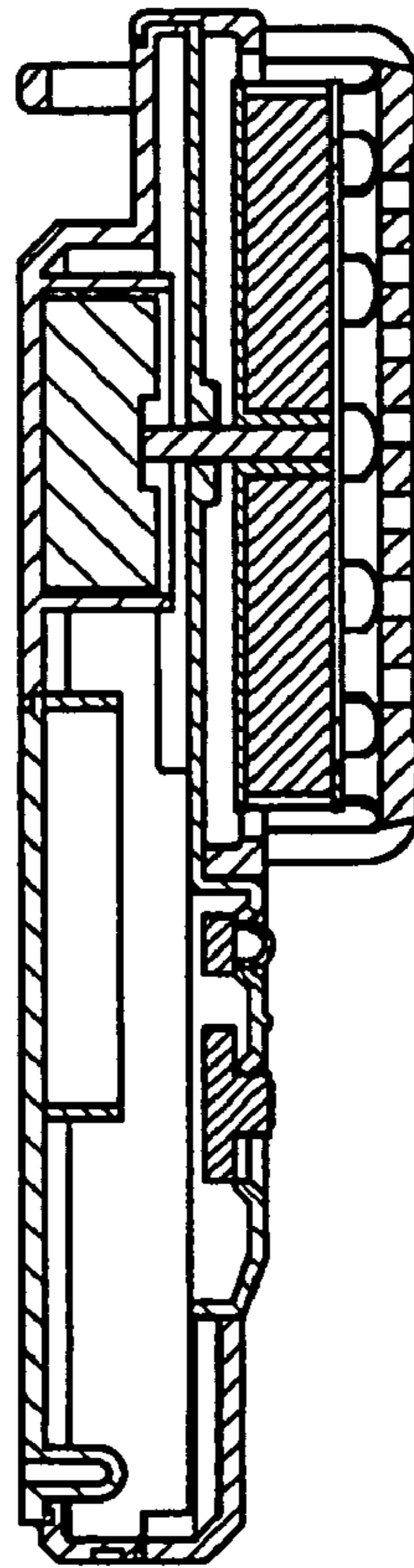


FIG. 8

