



US00D552719S

(12) **United States Design Patent**
Petner et al.

(10) **Patent No.:** **US D552,719 S**

(45) **Date of Patent:** **** Oct. 9, 2007**

(54) **DRAIN FITTING**

(75) Inventors: **Robert E. Petner**, Burlington, NJ (US);
Charles E. Gengler, South Orange, NJ (US)

(73) Assignee: **NiceLife, Inc.**, Burlington, NJ (US)

(**) Term: **14 Years**

(21) Appl. No.: **29/234,160**

(22) Filed: **Jul. 14, 2005**

(51) **LOC (8) Cl.** **23-01**

(52) **U.S. Cl.** **D23/261**

(58) **Field of Classification Search** D23/259-269,
D23/271, 373-376; D8/352-353, 397-398,
D8/300, 307-308, 354, 402; D6/495-496;
4/675-678, 198, 201, 205-206, 191, 194-195,
4/197, 651, 508, 255.09, 252.4; 16/11 R,
16/114 R; 285/148.22, 331, 294.3; D25/133
See application file for complete search history.

(56) **References Cited**

U.S. PATENT DOCUMENTS

1,540,504 A * 6/1925 Seaman 285/294.3
D276,556 S * 11/1984 Haggard D25/133
D287,396 S * 12/1986 Shemtov D23/269
D287,872 S * 1/1987 Eriksson D23/259
4,736,473 A * 4/1988 Gellatly 4/255.09

4,827,539 A * 5/1989 Kiziah 4/252.4
D307,046 S * 4/1990 Burgess et al. D23/259
D320,841 S * 10/1991 Breadmont D23/262
D385,956 S * 11/1997 Doughty et al. D23/259
D422,685 S * 4/2000 Kopf D23/259
6,164,337 A * 12/2000 Weise et al. 138/44

* cited by examiner

Primary Examiner—Louis S. Zarfes

Assistant Examiner—Eric L. Goodman

(74) *Attorney, Agent, or Firm*—Stuart M. Goldstein

(57) **CLAIM**

The ornamental design for a drain fitting, as shown and described.

DESCRIPTION

FIG. 1 is an isometric view of the drain fitting of the present invention showing the bottom regions of the fitting.

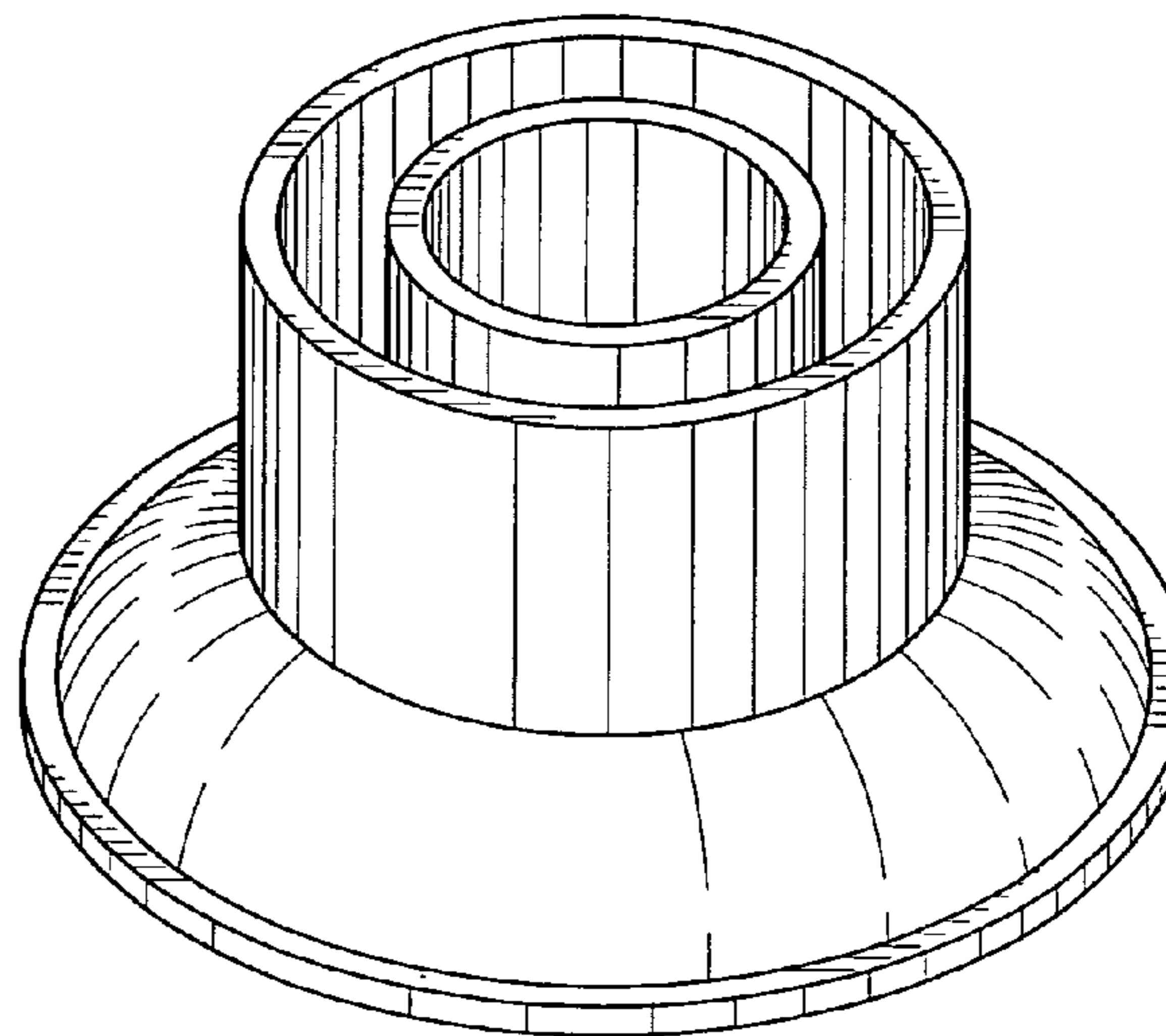
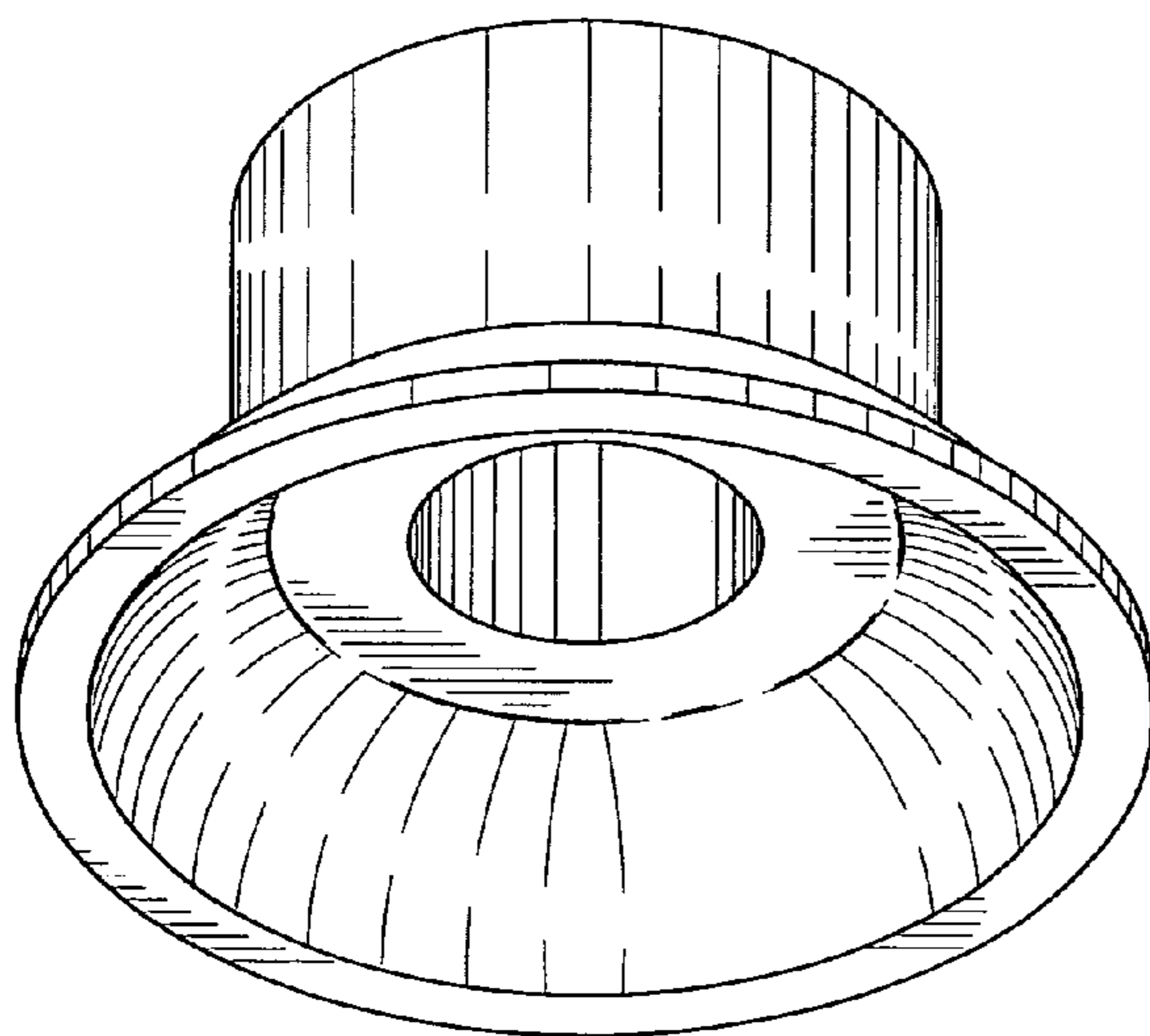
FIG. 2 is an isometric view of the drain fitting of the present invention showing the upper regions of the fitting.

FIG. 3 is a bottom view of the drain fitting of the present invention.

FIG. 4 is a top view of the drain fitting of the present invention; and,

FIG. 5 is a side view of the drain fitting of the present invention.

1 Claim, 3 Drawing Sheets



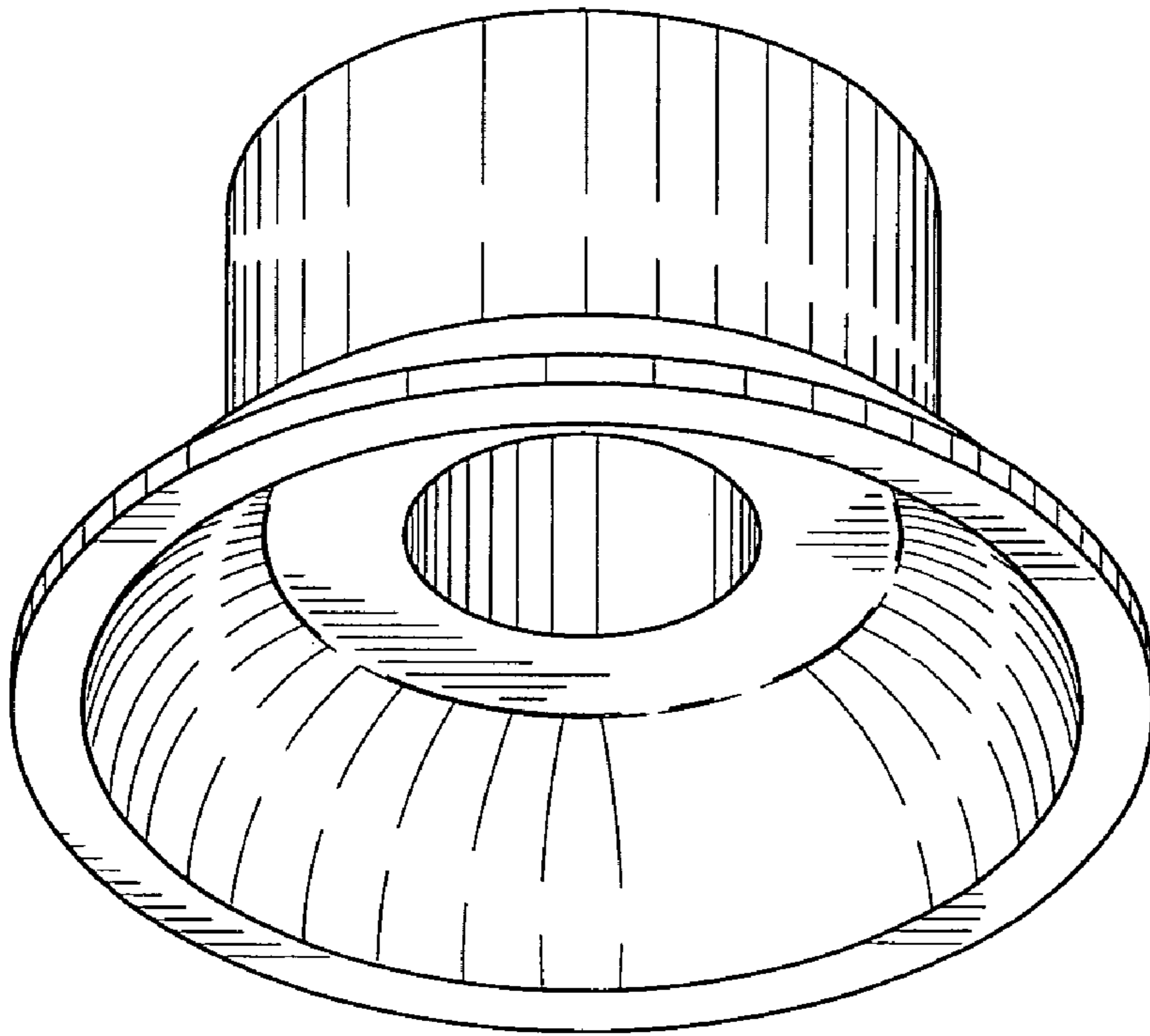


FIG. 1

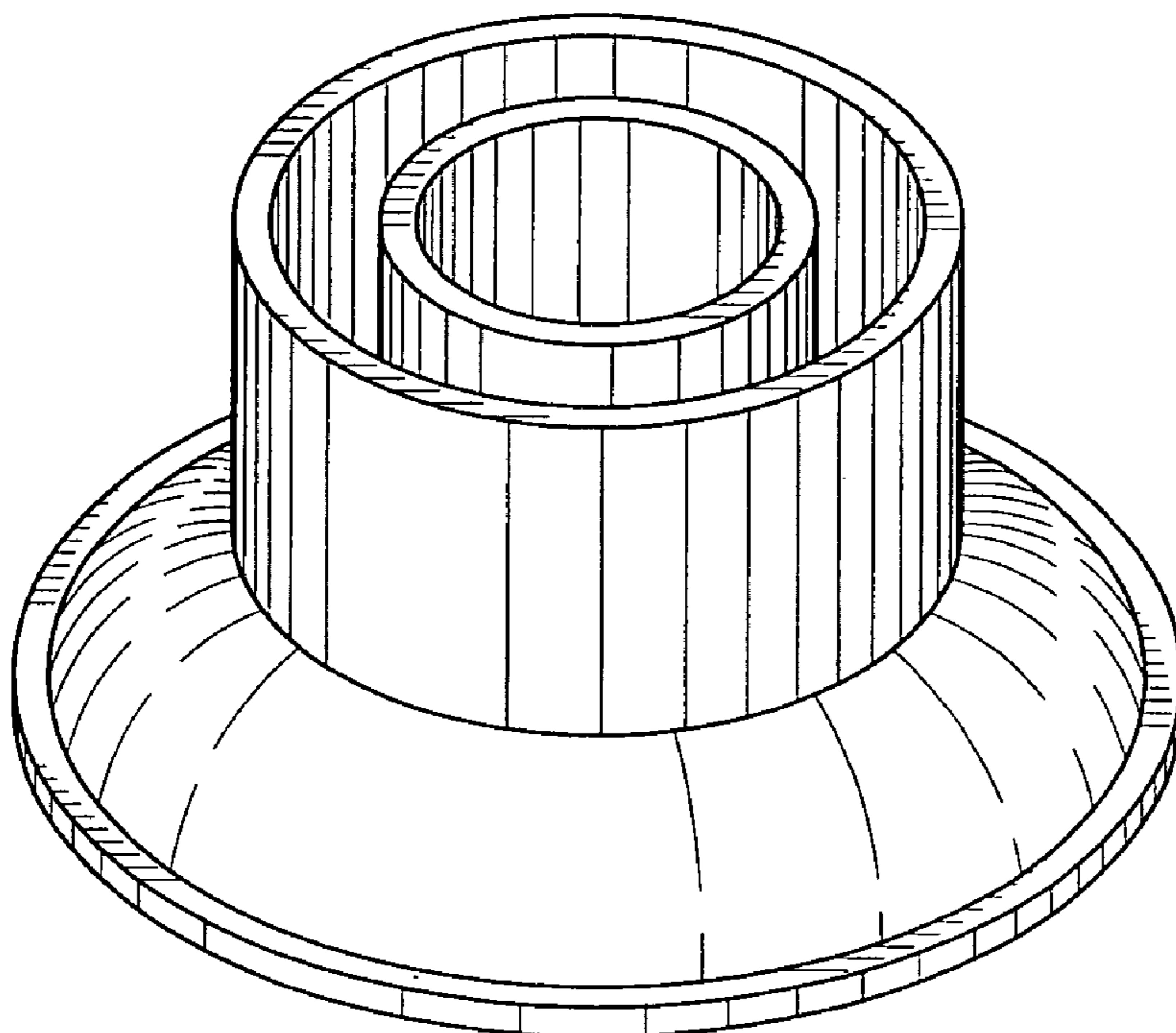


FIG. 2

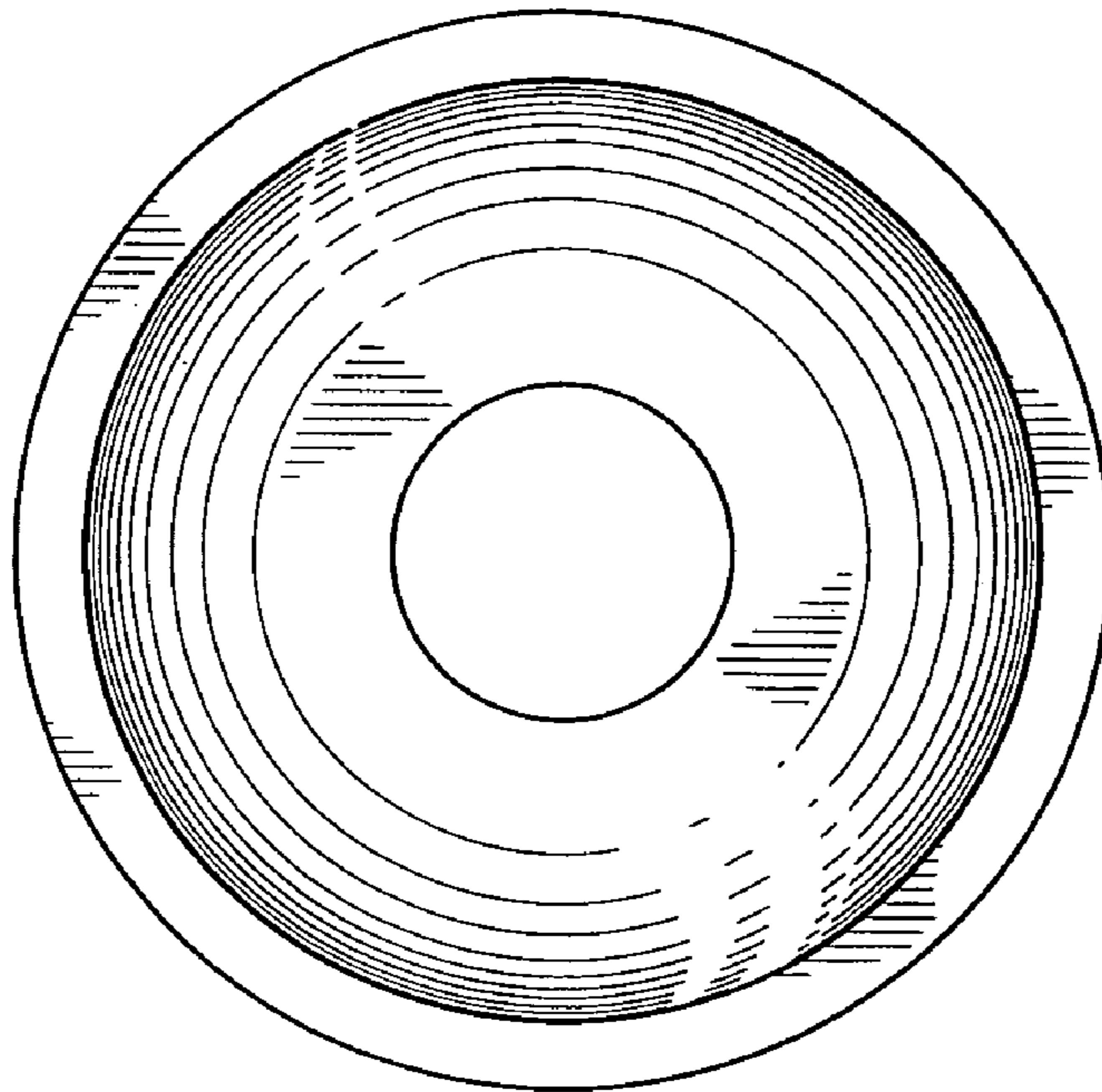


FIG. 3

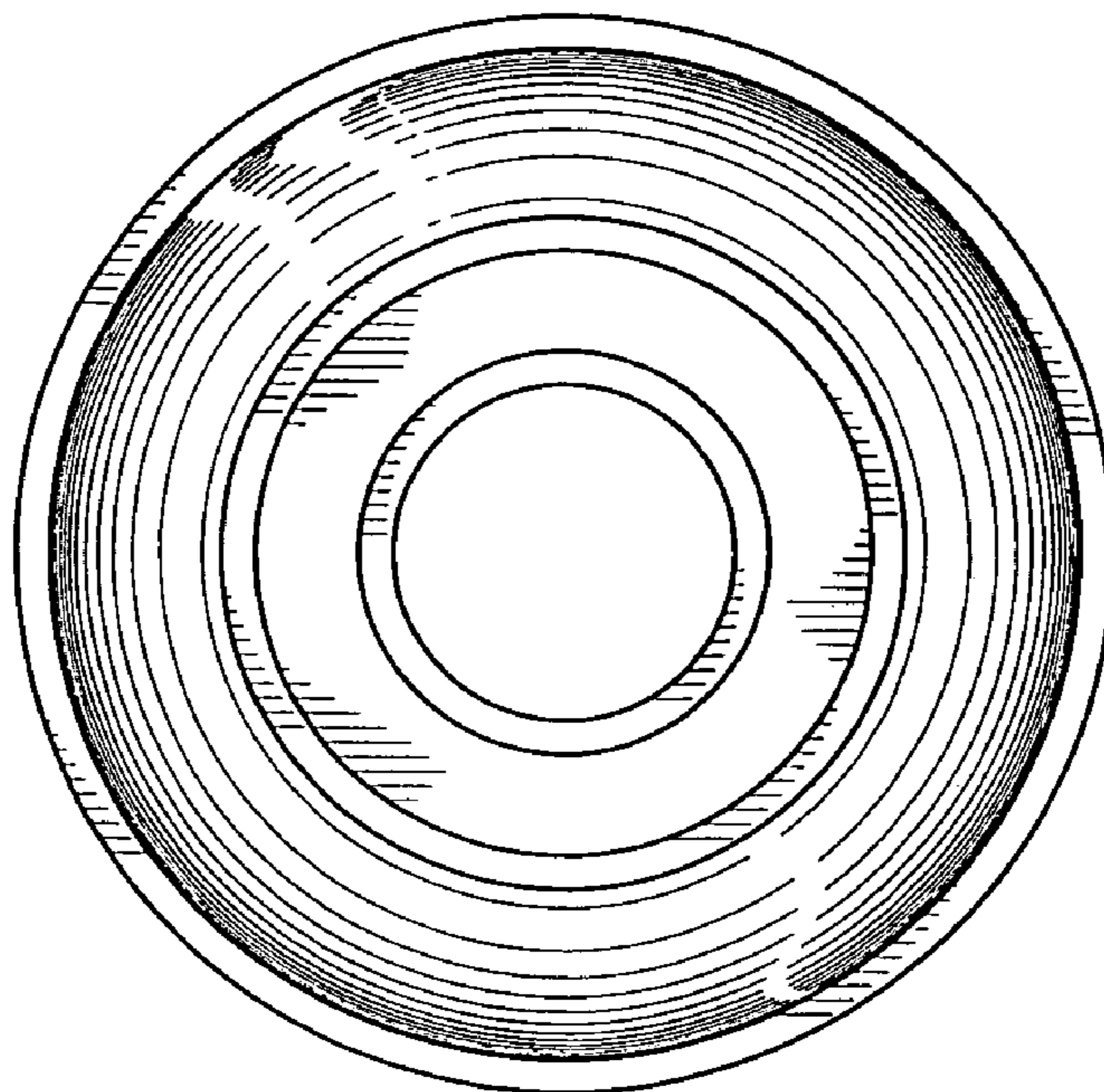


FIG. 4

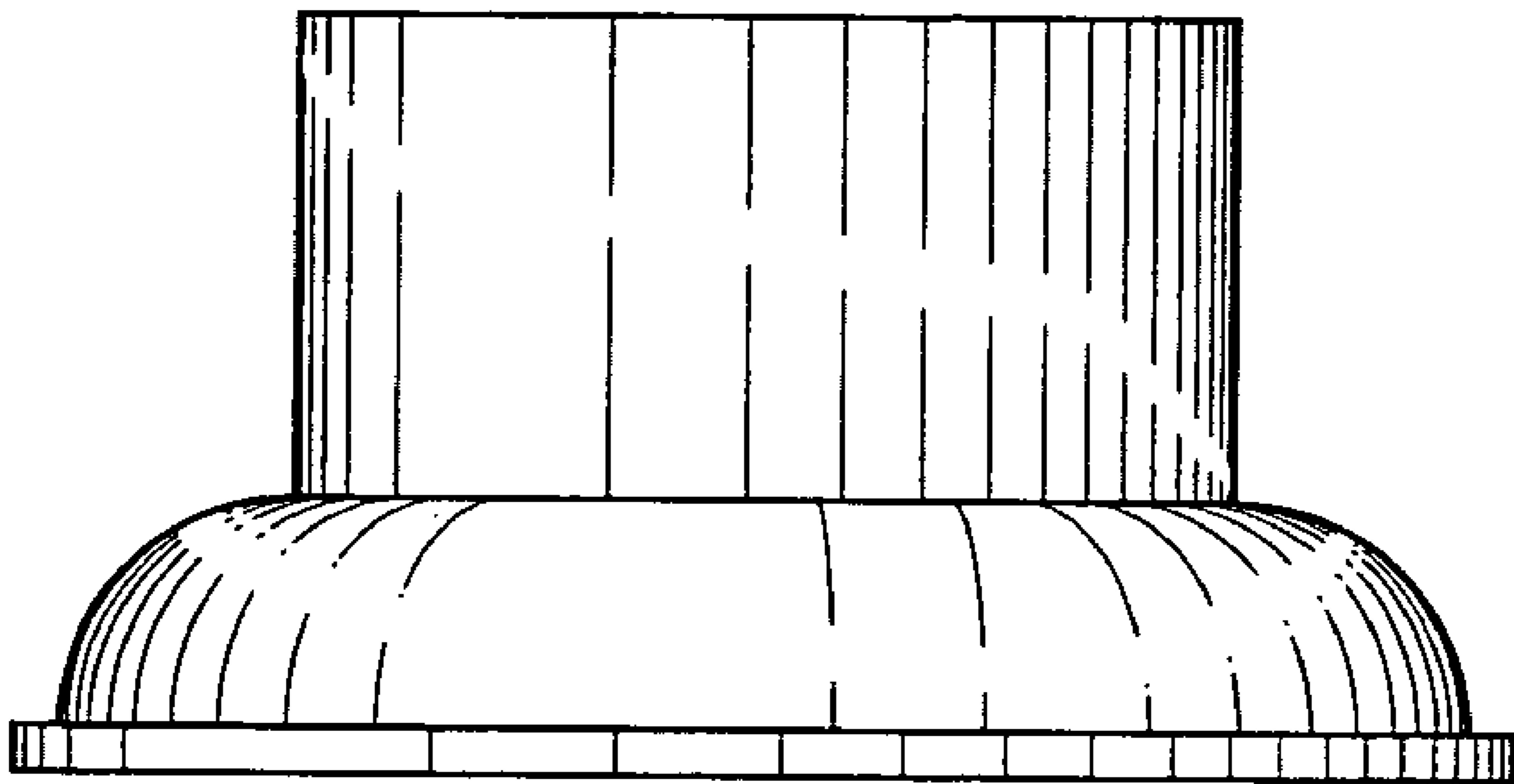


FIG. 5