



US00D552718S

(12) **United States Design Patent** (10) **Patent No.:** **US D552,718 S**
Mayer et al. (45) **Date of Patent:** **** Oct. 9, 2007**

(54) **OVERFLOW PIPE** 7,127,752 B2 * 10/2006 Ball 4/680

(75) Inventors: **Michael A. Mayer**, Sheboygan, WI (US); **Lisa Hood**, Port Washington, WI (US)

(73) Assignee: **Kohler Co.**, Kohler, WI (US)

(**) Term: **14 Years**

(21) Appl. No.: **29/242,188**

(22) Filed: **Nov. 7, 2005**

(51) **LOC (8) Cl.** **23-01**

(52) **U.S. Cl.** **D23/259**

(58) **Field of Classification Search** D23/259,
D23/263-264, 266; D32/21-22, 31-34;
15/322, 339, 354-355, 358, 362, 366, 393-394,
15/398, 400, 411-412, 414, 415.1, 420, 422,
15/422.1; 4/680; 285/7, 275
See application file for complete search history.

(56) **References Cited**

U.S. PATENT DOCUMENTS

1,161,908	A *	11/1915	Tice	15/411
2,242,566	A *	5/1941	Bilde	15/400
2,496,813	A *	2/1950	Peterson	15/415.1
D259,950	S *	7/1981	Henry	D23/259
D311,615	S *	10/1990	Berfield et al.	D32/32
D341,452	S *	11/1993	Songer	D32/33
D355,707	S *	2/1995	Emanuele et al.	D23/259
5,488,754	A *	2/1996	Shadley	15/394
D424,766	S *	5/2000	Martin	D32/32
6,279,198	B1 *	8/2001	Martin et al.	15/393
6,421,875	B1 *	7/2002	Coombs et al.	15/420
D487,828	S *	3/2004	Iike et al.	D32/32
D522,197	S *	5/2006	Dyson et al.	D32/32

OTHER PUBLICATIONS

Toto Company, Model LT781.8 "Baldwin Self-Rimming Lavatory". Paragon Online Catalog, Model No. P376 "Sign of the Crab" faucet. Marbeck.com website, Model No. 460a "Hoover Upholstery Nozzle".

* cited by examiner

Primary Examiner—Louis S. Zarfaz

Assistant Examiner—Eric L Goodman

(74) *Attorney, Agent, or Firm*—Quarles & Brady LLP

(57) **CLAIM**

The ornamental design for a overflow pipe, as shown and described.

DESCRIPTION

In a preferred embodiment, the nature of this product is as an overflow drain for a plumbing fixture such a bathtub or whirlpool.

FIG. 1 is a right, top, front perspective view of an overflow pipe according to our new design;

FIG. 2 is a front elevational view thereof;

FIG. 3 is a top plan view thereof;

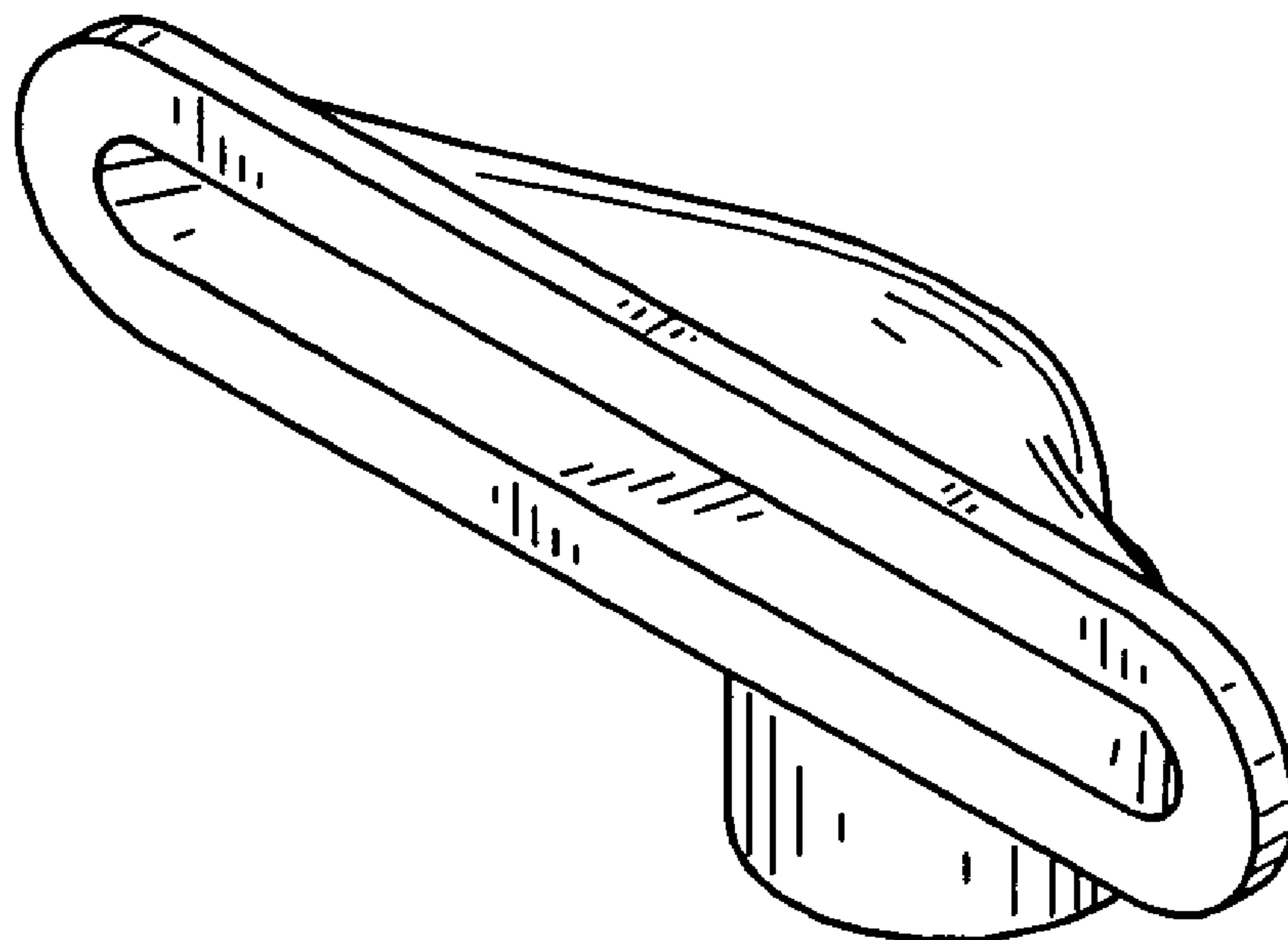
FIG. 4 is a bottom plan view thereof;

FIG. 5 is a left side elevational view thereof, the right side elevational view thereof being a mirror image of the left side shown; and,

FIG. 6 is a rear elevational view thereof.

The broken line representations of an opening in FIG. 4 are for the purpose of illustration only, and form no part of the claimed design.

1 Claim, 2 Drawing Sheets



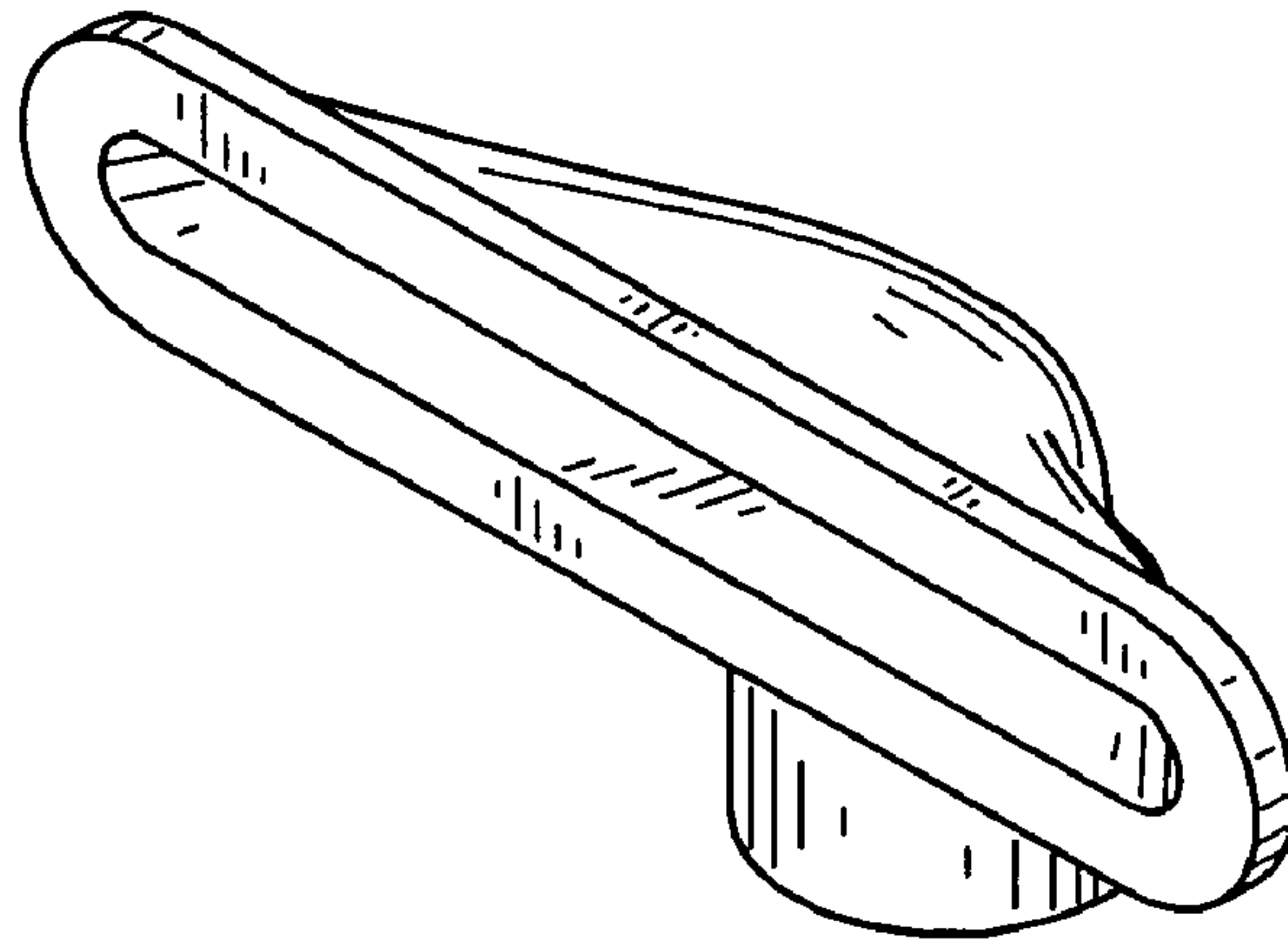


FIG. 1

FIG. 2

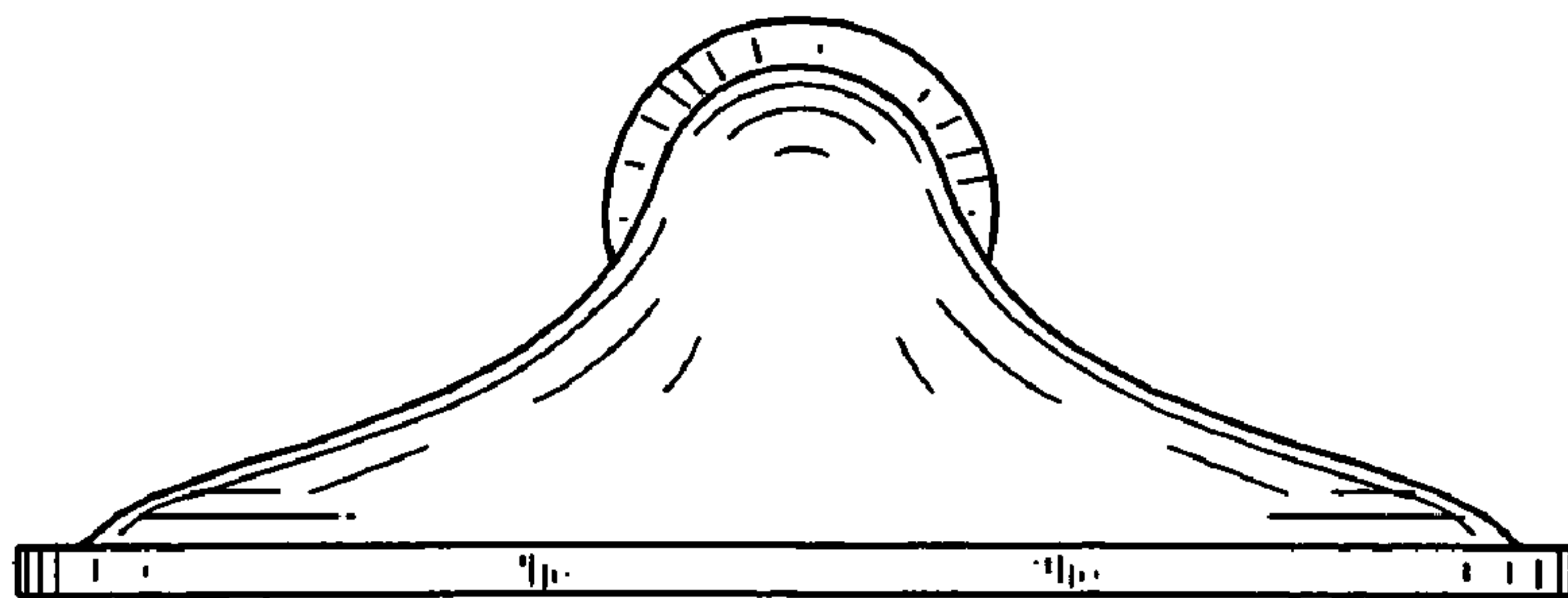
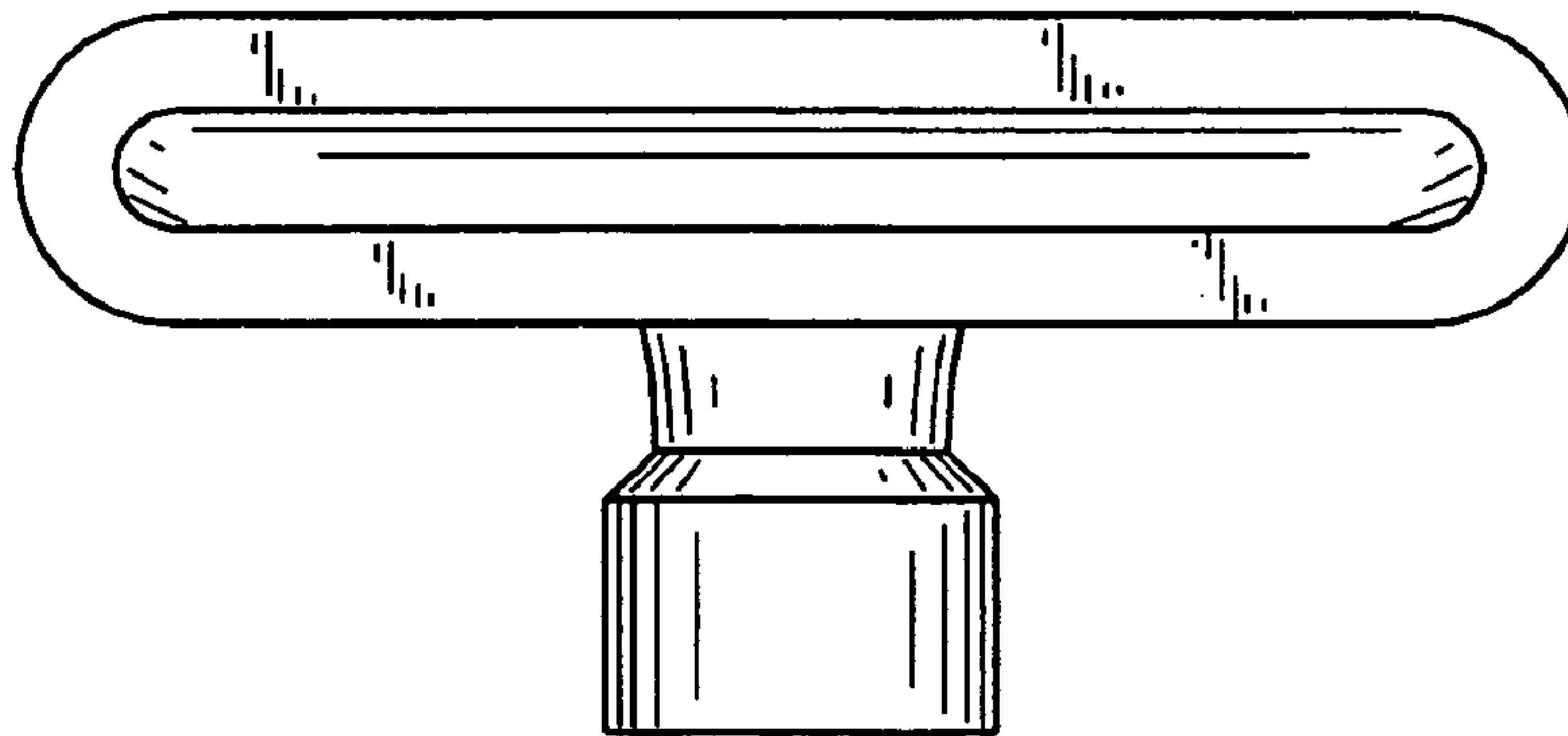


FIG. 3

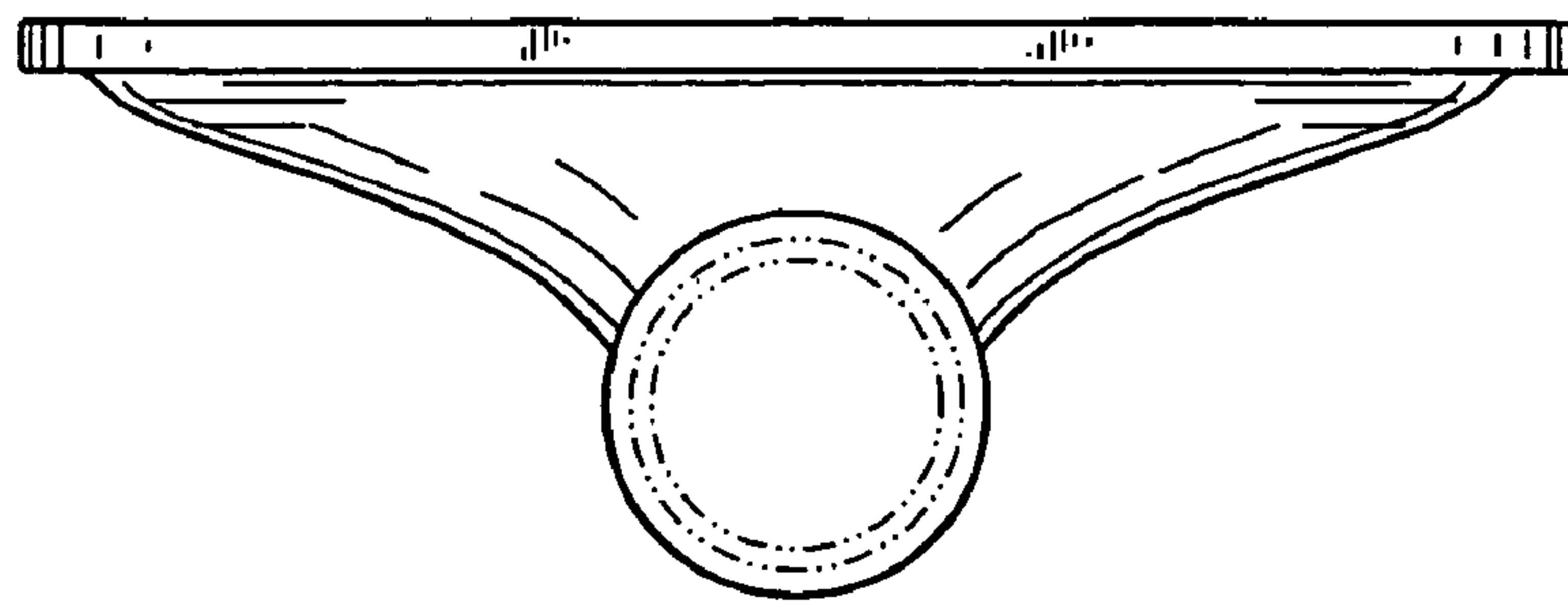


FIG. 4

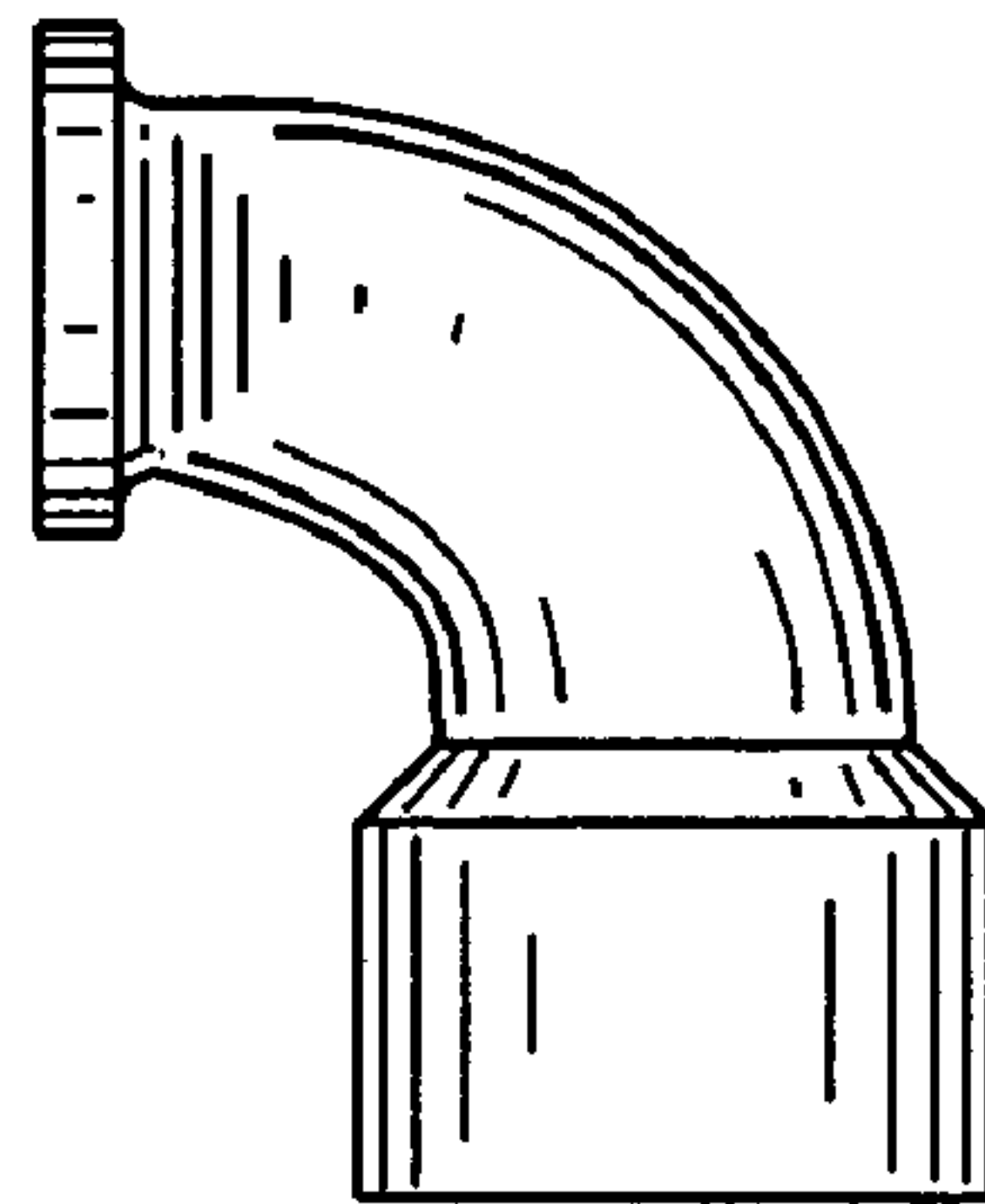


FIG. 5

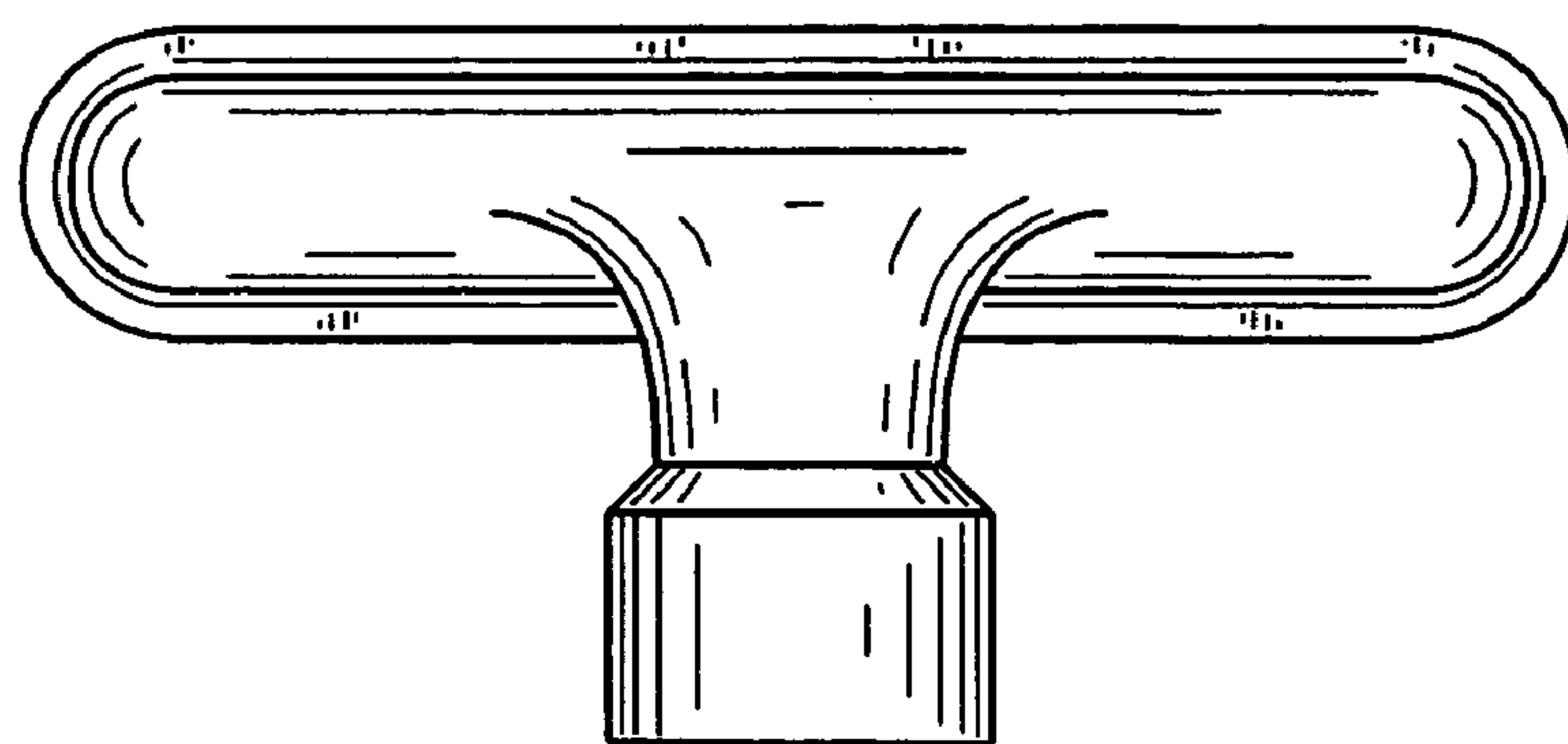


FIG. 6