



US00D552717S

(12) **United States Design Patent**  
**Wood et al.**

(10) **Patent No.:** **US D552,717 S**

(45) **Date of Patent:** **\*\* Oct. 9, 2007**

(54) **PULL OUT WAND**

D531,698 S \* 11/2006 Wood et al. .... D23/238

(75) Inventors: **Jonathan Wood**, San Juan Capistrano, CA (US); **Charles Molina**, Irvine, CA (US); **Scott Cline**, New Albany, OH (US); **Patrick Walker**, Pataskala, OH (US)

\* cited by examiner

*Primary Examiner*—Louis S. Zarfaz  
*Assistant Examiner*—Gregory Andoll  
(74) *Attorney, Agent, or Firm*—Edgar A. Zarins; Lloyd D. Doigan

(73) Assignee: **Brasstech, Inc.**, Santa Ana, CA (US)

(57) **CLAIM**

(\*\*) Term: **14 Years**

The ornamental design for a pull out wand, as shown and described.

(21) Appl. No.: **29/233,433**

(22) Filed: **Jul. 1, 2005**

**DESCRIPTION**

(51) **LOC (8) Cl.** ..... **23-01**

FIG. 1 is a front perspective view of a pull out wand showing our design;

(52) **U.S. Cl.** ..... **D23/249**

FIG. 2 is a left side elevational view thereof;

(58) **Field of Classification Search** ..... D23/238–257;  
4/675–678; 137/801

FIG. 3 is a right side elevational view thereof;

See application file for complete search history.

FIG. 4 is a front elevational view thereof;

FIG. 5 is a rear elevational view thereof; and,

FIG. 6 is a top plan view thereof.

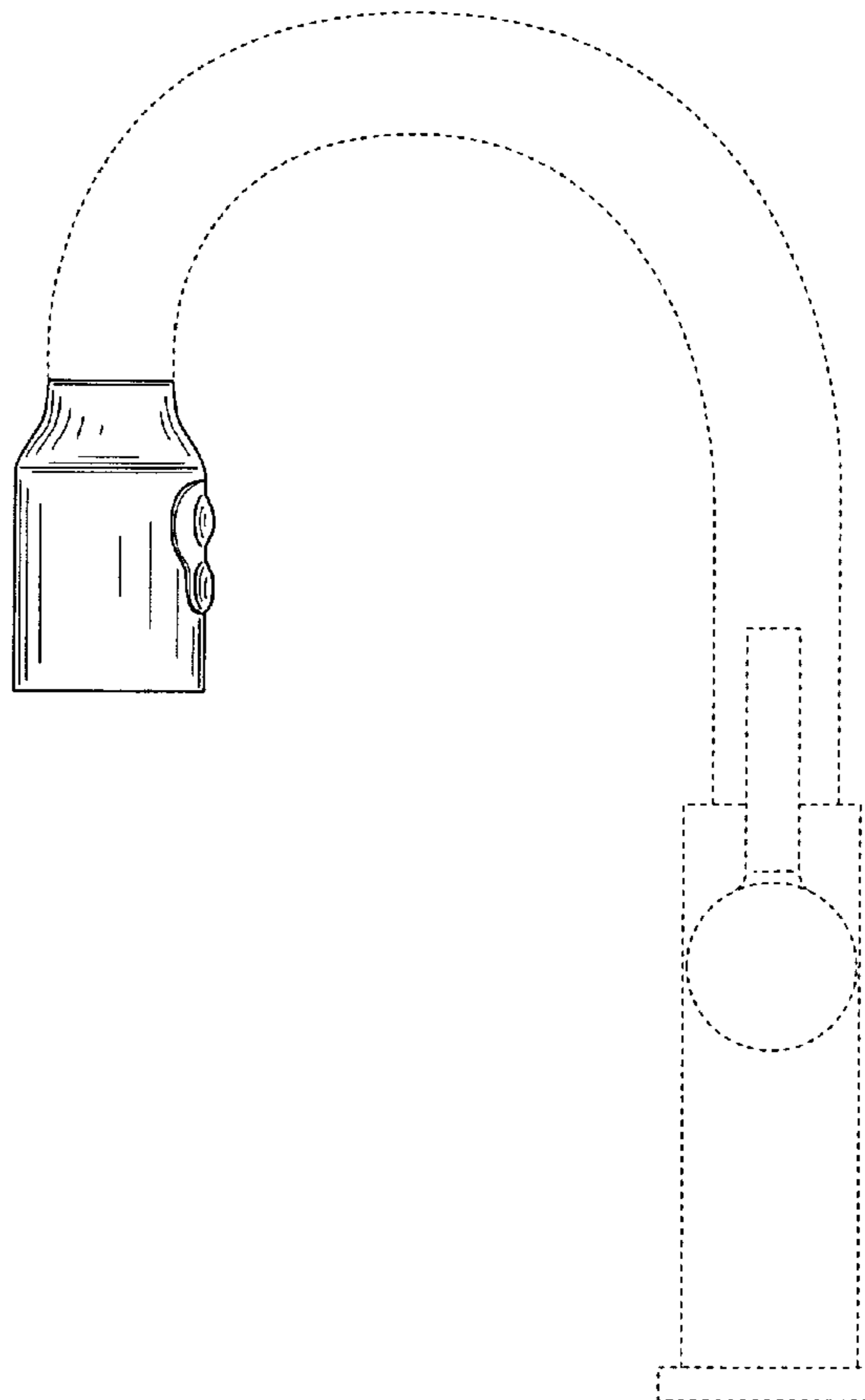
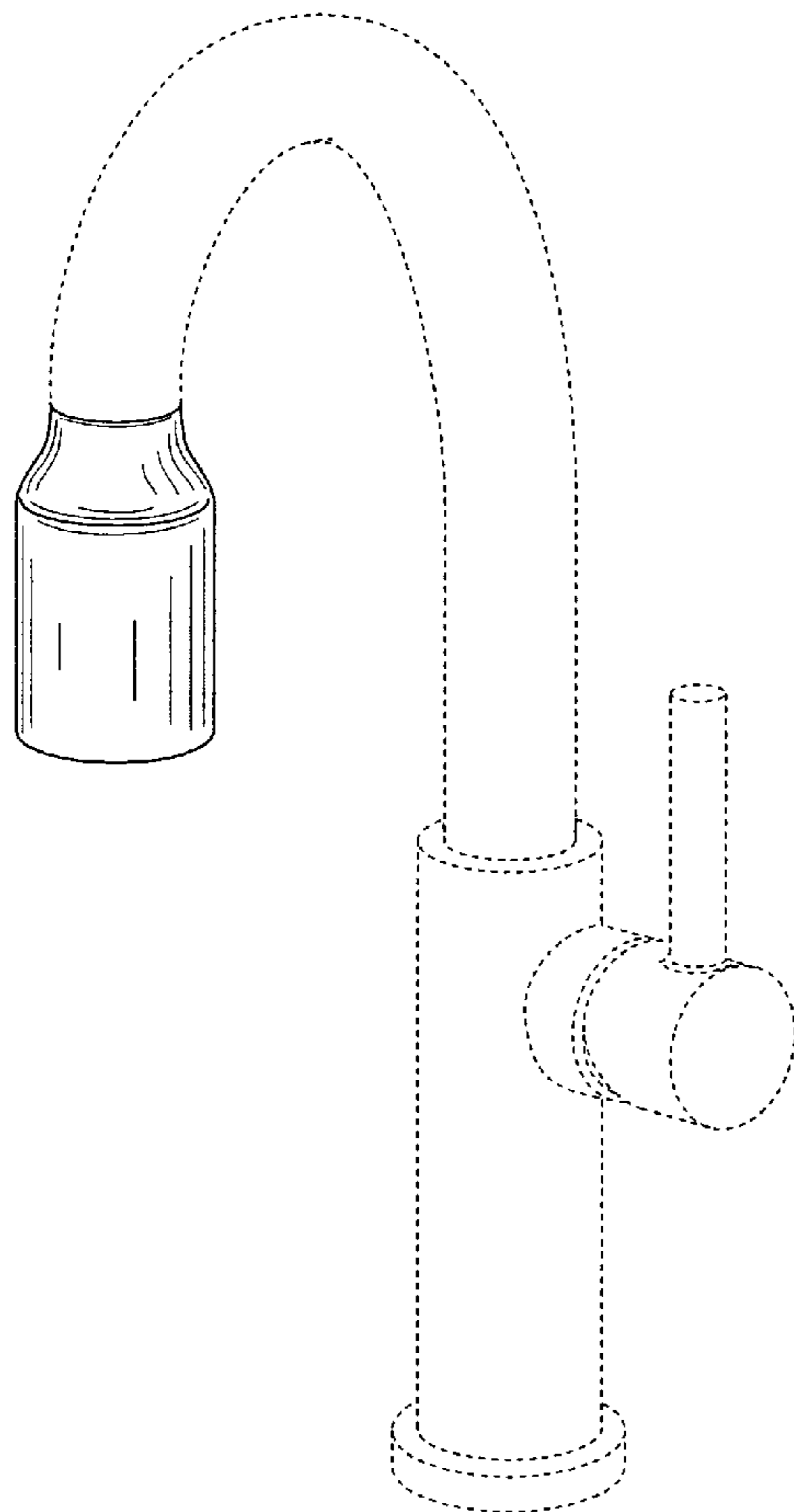
The broken lines in the Figures are for illustrative purposes only and form no part of the claimed design.

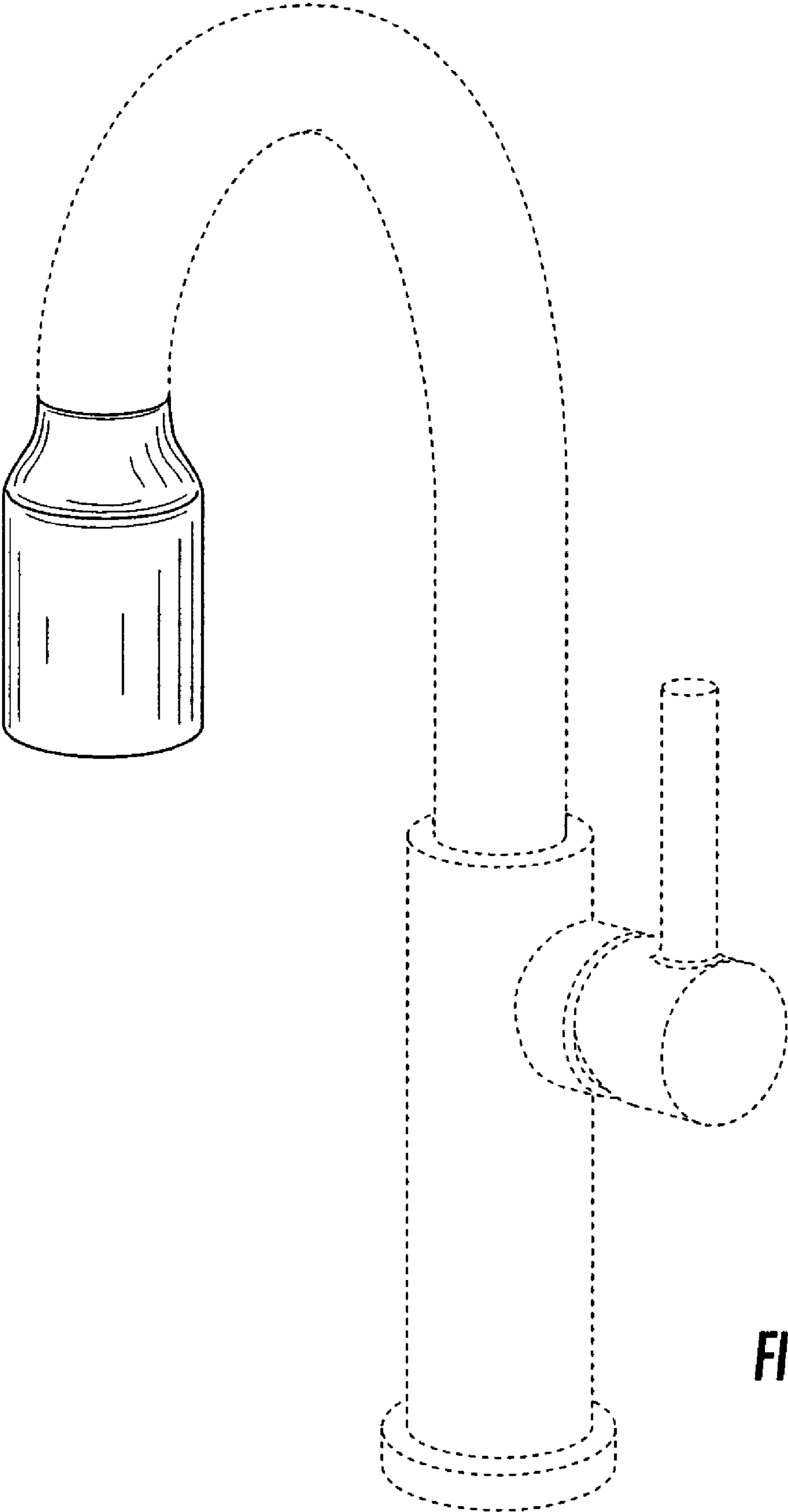
(56) **References Cited**

U.S. PATENT DOCUMENTS

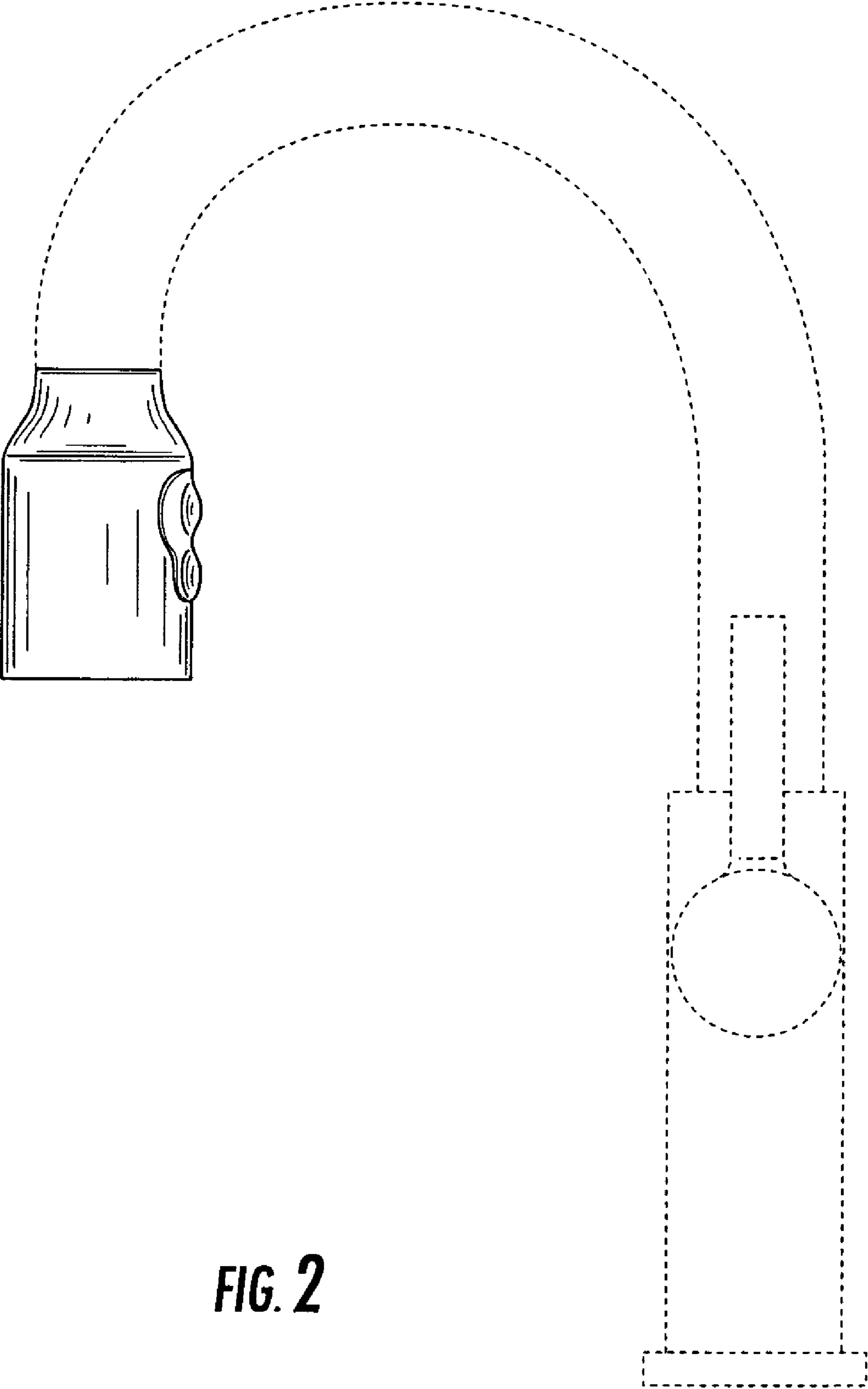
- D434,828 S \* 12/2000 Ben-Tsur et al. .... D23/223
- D472,308 S \* 3/2003 Hundley ..... D23/255
- D503,777 S \* 4/2005 Costello et al. .... D23/255

**1 Claim, 6 Drawing Sheets**

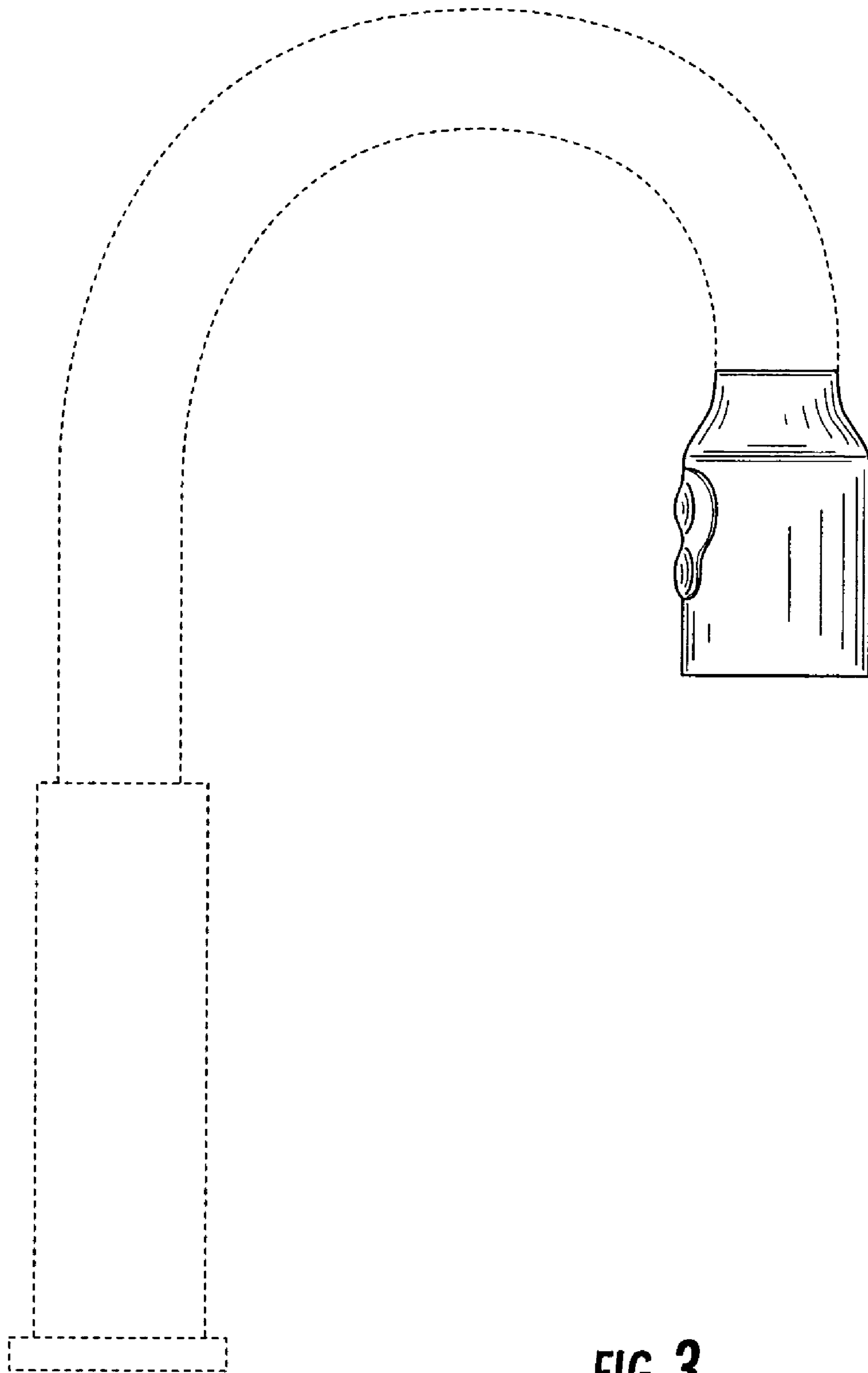




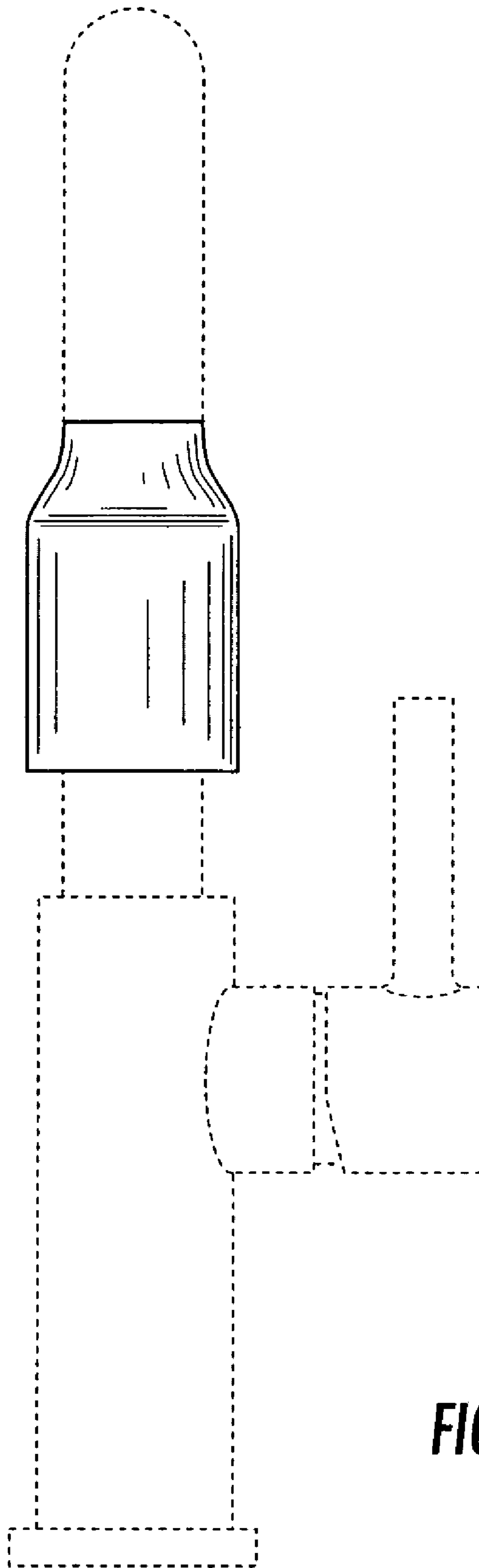
**FIG. 1**



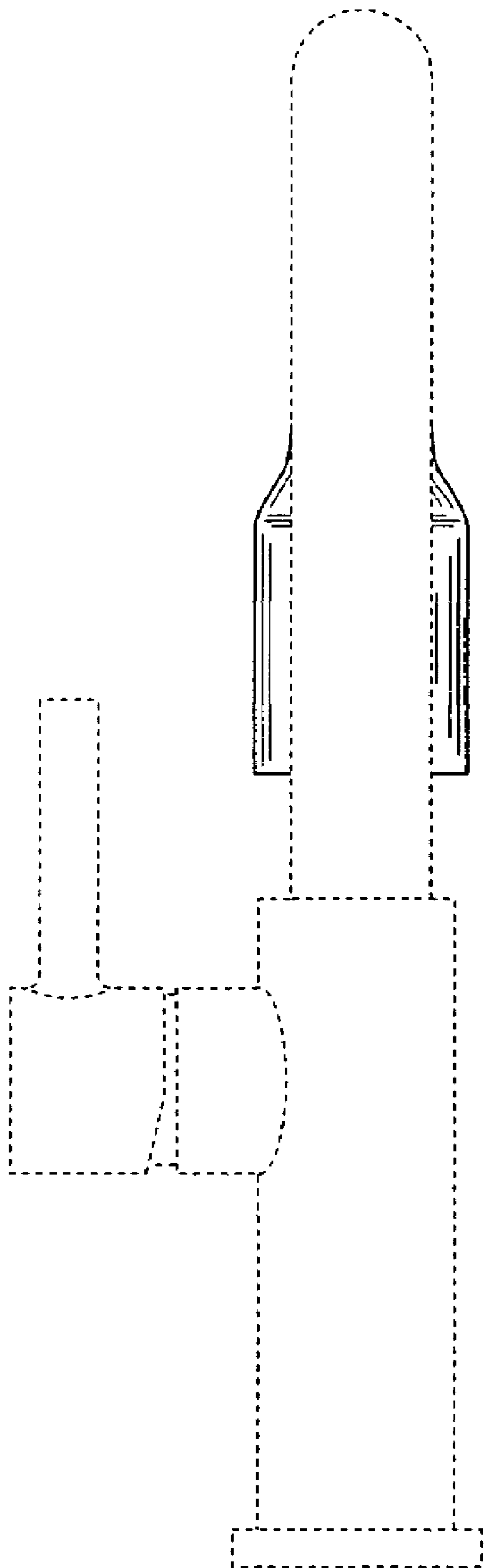
**FIG. 2**



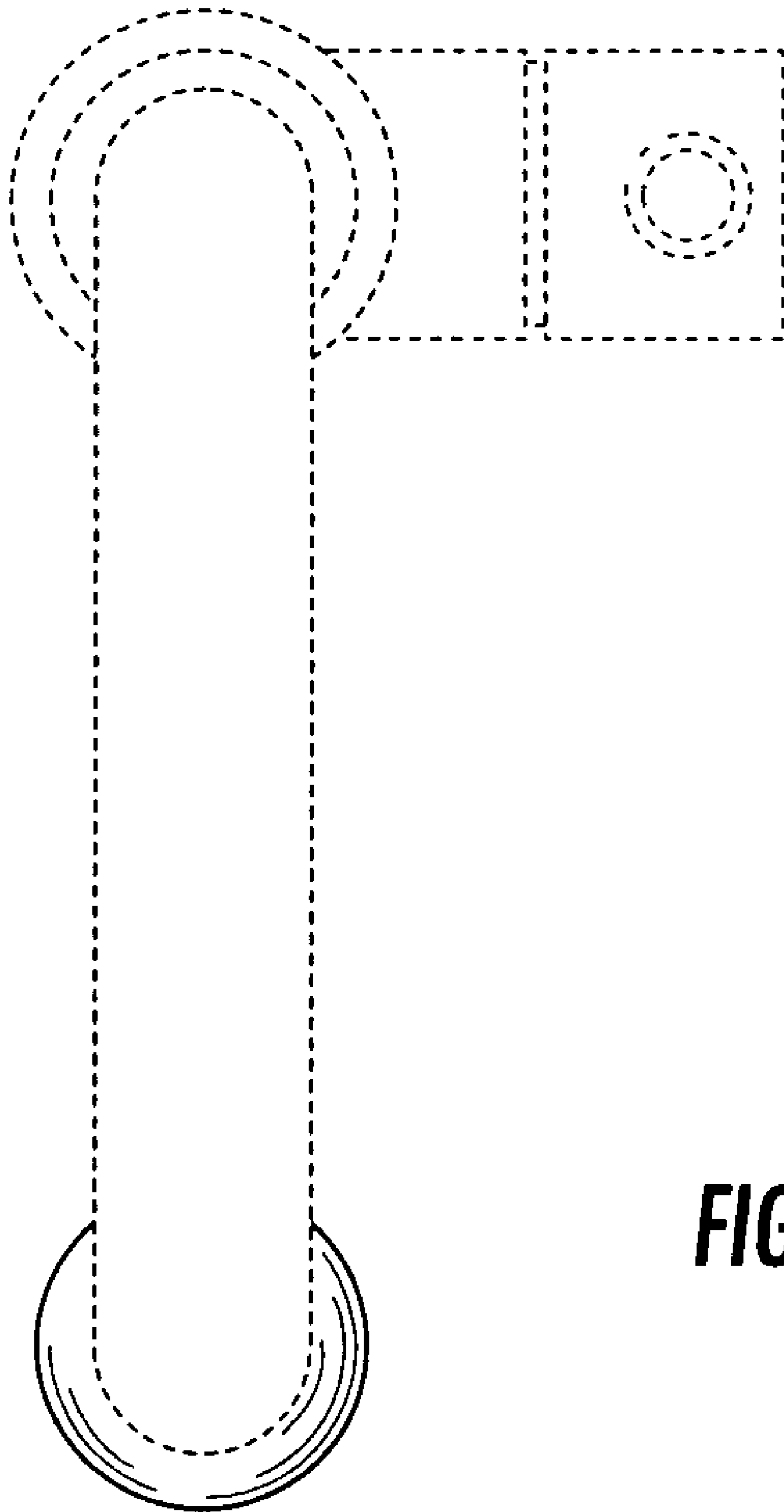
**FIG. 3**



**FIG. 4**



**FIG. 5**



**FIG. 6**