



US00D552716S

(12) **United States Design Patent** (10) **Patent No.:** **US D552,716 S**  
**Chastine et al.** (45) **Date of Patent:** **\*\* Oct. 9, 2007**

(54) **DISPENSING VALVE**  
 (75) Inventors: **Christopher R. Chastine**, Hoschton, GA (US); **Matthew Tinaglia**, Suwanee, GA (US); **Richard Pallante**, Atlanta, GA (US)  
 (73) Assignee: **Nordson Corporation**, Westlake, OH (US)  
 (\*\*) Term: **14 Years**  
 (21) Appl. No.: **29/233,176**  
 (22) Filed: **Jun. 29, 2005**  
 (51) **LOC (8) Cl.** ..... **23-01**  
 (52) **U.S. Cl.** ..... **D23/233**  
 (58) **Field of Classification Search** ..... D23/233, D23/200, 244-245, 248-249, 260, 262, 266, D23/499; 137/505.44, 505.42, 907, 599.01, 137/625.4; 251/6, 61.5, 61.1, 331, 129.04; D10/49, 96, 99; D24/129; D7/398  
 See application file for complete search history.

D505,183 S \* 5/2005 Fukuda et al. .... D23/233  
 6,935,537 B2 8/2005 Tellez ..... 222/168  
 D536,421 S 2/2007 Raterman et al. .... D23/233

**OTHER PUBLICATIONS**

Nordson Corporation; *Series H-20 Automatic Guns*; Brochure 1994, 1997, 2 pgs.  
 Nordson Corporation; *e.dot™Electric Guns*; Brochure 1998, 2003, 2 pgs.  
 Nordson Corporation; *Chameleon™Gun System*; Brochure 2000, 6 pgs.  
 Nordson Corporation; *WM710 Adhesive Dispensing Pneumatic Gun*; Brochure 2000, 2003, 2 pgs.  
 Nordson Corporation; *LA 820 Liquid Adhesive Dispensing Electric Guns*; Brochure 2000, 2 pgs.  
 Nordson Corporation, *Series H-400 Hot Melt Guns and Modules*, Brochure Mar. 1999, 2 pgs.  
 Nordson Corporation, *Meltex EP25 and EP34 Hot Melt Guns*, Jul. 1993, 2 pgs.  
 Nordson Corporation, *Series H200 Reduced Cavity Guns*, Brochure Jan. 1993, 2 pgs.  
 Keystone Industries, *Adhesive Applicator Systems & Parts*, 2001 Catalog, Front & Rear Covers, and pp. 8 and 10.  
 \* cited by examiner

(56) **References Cited**

**U.S. PATENT DOCUMENTS**

D271,272 S 11/1983 Austin et al. .... D7/398  
 D281,168 S 10/1985 Scholl et al. .... D15/144  
 4,669,639 A 6/1987 Klarenbach et al. .... 222/396  
 D313,920 S 1/1991 Rudick et al. .... D7/398  
 D354,295 S 1/1995 Walsh et al. .... D15/144.2  
 D354,296 S 1/1995 Walsh ..... D14/144.2  
 5,564,592 A 10/1996 Martin et al. .... 220/724  
 D401,600 S 11/1998 Byerly et al.  
 D404,464 S \* 1/1999 Niemczyk ..... D23/233  
 5,915,625 A 6/1999 Focke et al. .... 239/112  
 6,056,155 A 5/2000 Byerly et al.  
 6,105,832 A 8/2000 Beck ..... 222/571  
 6,123,302 A 9/2000 Taylor ..... 248/231.61  
 6,354,463 B1 3/2002 Pahl ..... 222/1  
 6,358,322 B1 3/2002 Pahl ..... 118/680  
 D456,427 S 4/2002 Gressett, Jr. et al. .... D15/144  
 D457,811 S 5/2002 Vanstaen et al. .... D23/233  
 D460,092 S 7/2002 Gressett, Jr. et al. .... D15/144.1  
 D460,148 S \* 7/2002 Hayashi et al. .... D23/233  
 D470,221 S \* 2/2003 Niemczyk ..... D23/233  
 6,543,652 B1 4/2003 Kelder et al. .... 222/212  
 D494,658 S \* 8/2004 Kobayashi et al. .... D23/233

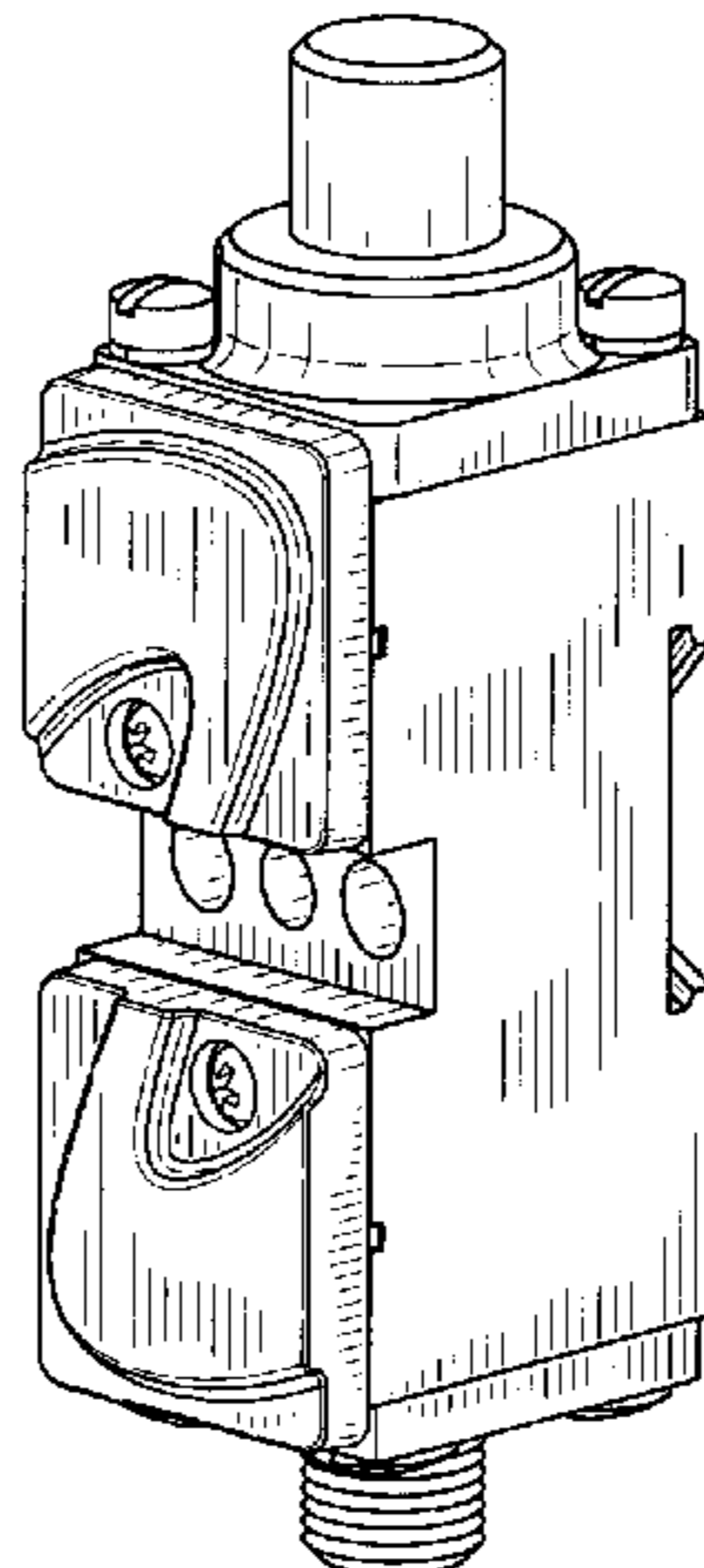
*Primary Examiner*—Ian Simmons  
*Assistant Examiner*—Maurice Stevens  
 (74) *Attorney, Agent, or Firm*—Raymond J. Slattery, III  
 (57) **CLAIM**

We claim the ornamental design for a dispensing valve, as shown and described.

**DESCRIPTION**

FIG. 1 is a perspective view of a liquid dispensing valve, showing our new design;  
 FIG. 2 is a front elevational view thereof;  
 FIG. 3 is a rear elevational view thereof;  
 FIG. 4 is a top plan view thereof;  
 FIG. 5 is a bottom elevational view thereof;  
 FIG. 6 is a left side elevational view thereof; and,  
 FIG. 7 is a right side elevational view thereof.  
 The broken lines showing of environment is for illustrative purposes only and forms no part of the claimed design.

**1 Claim, 2 Drawing Sheets**



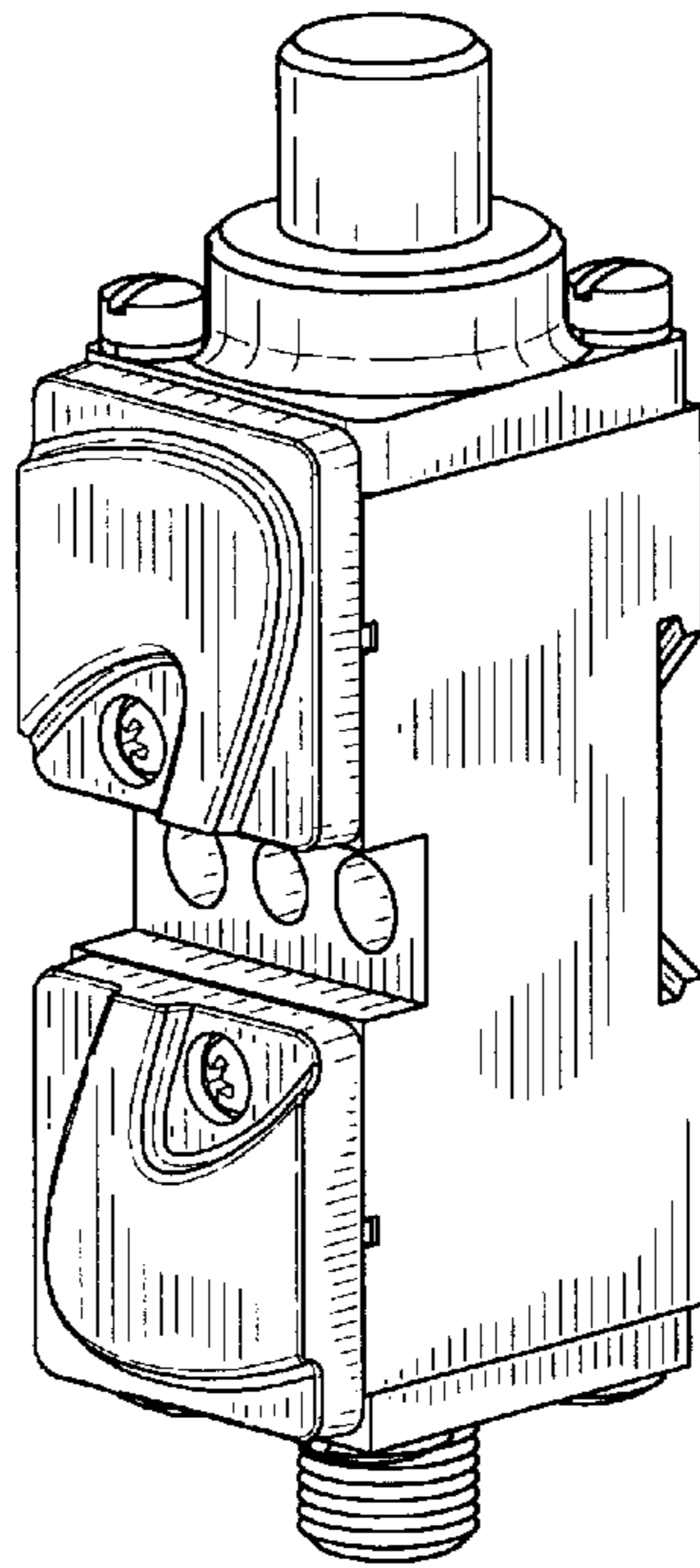


FIG-1

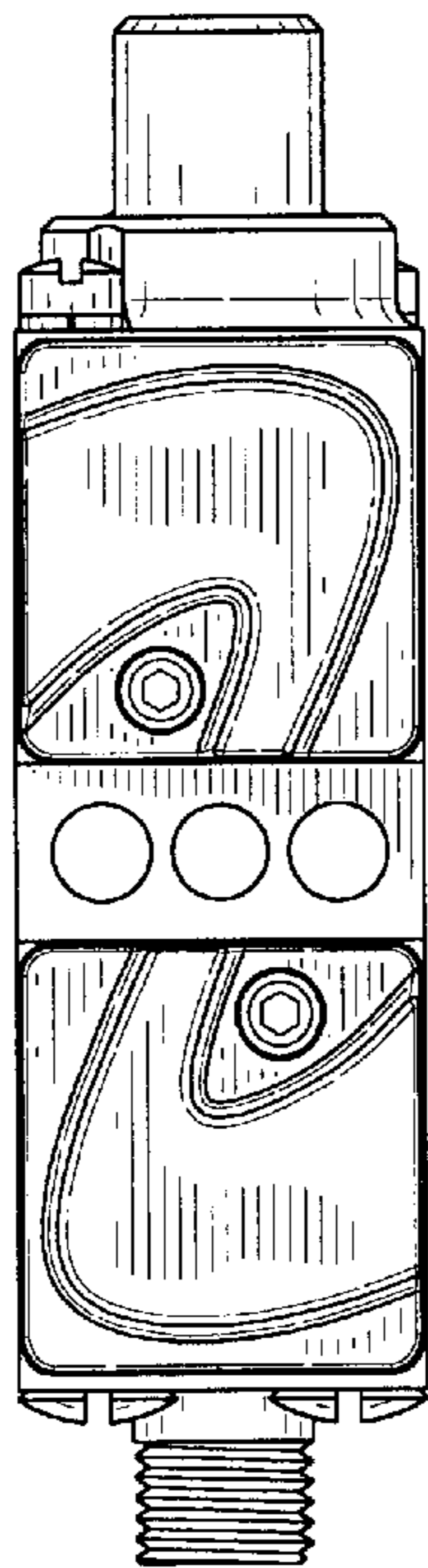


FIG-2

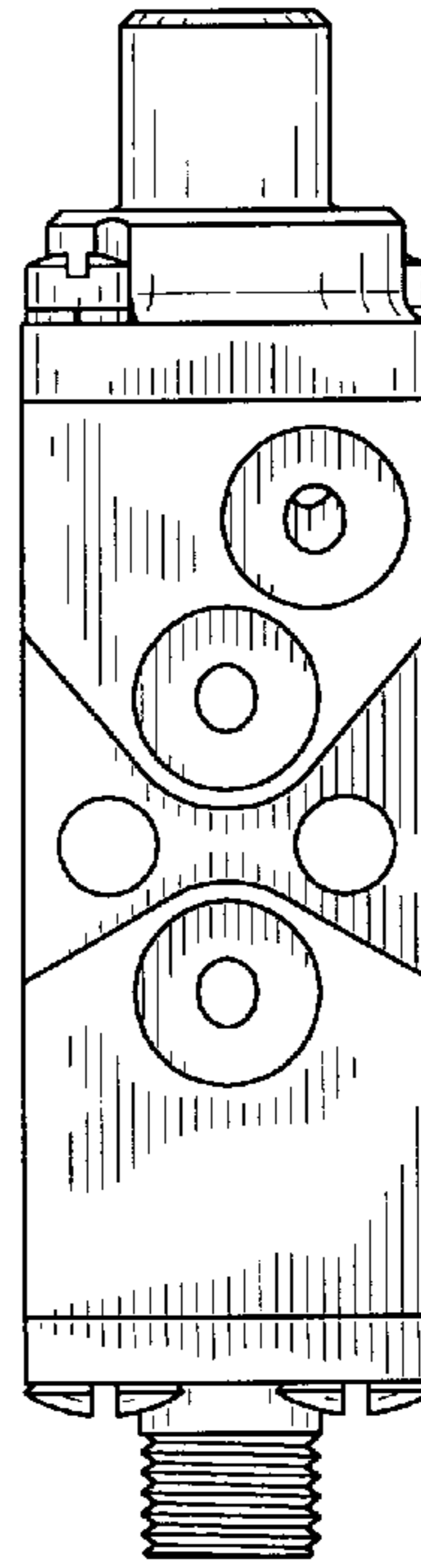


FIG-3

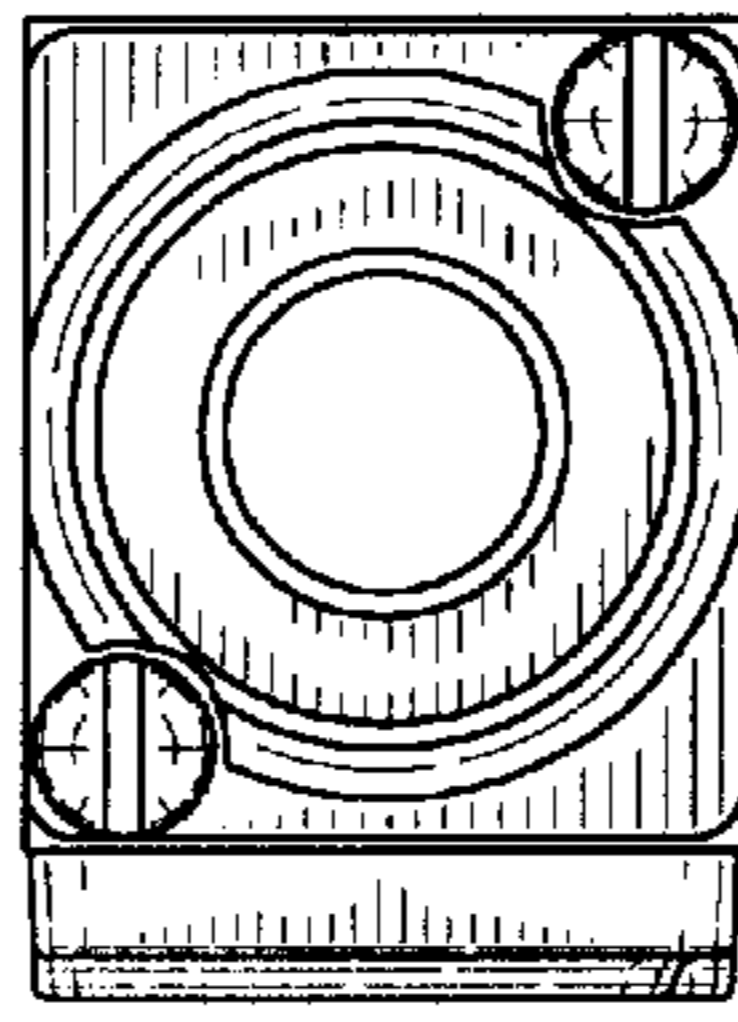


FIG-4

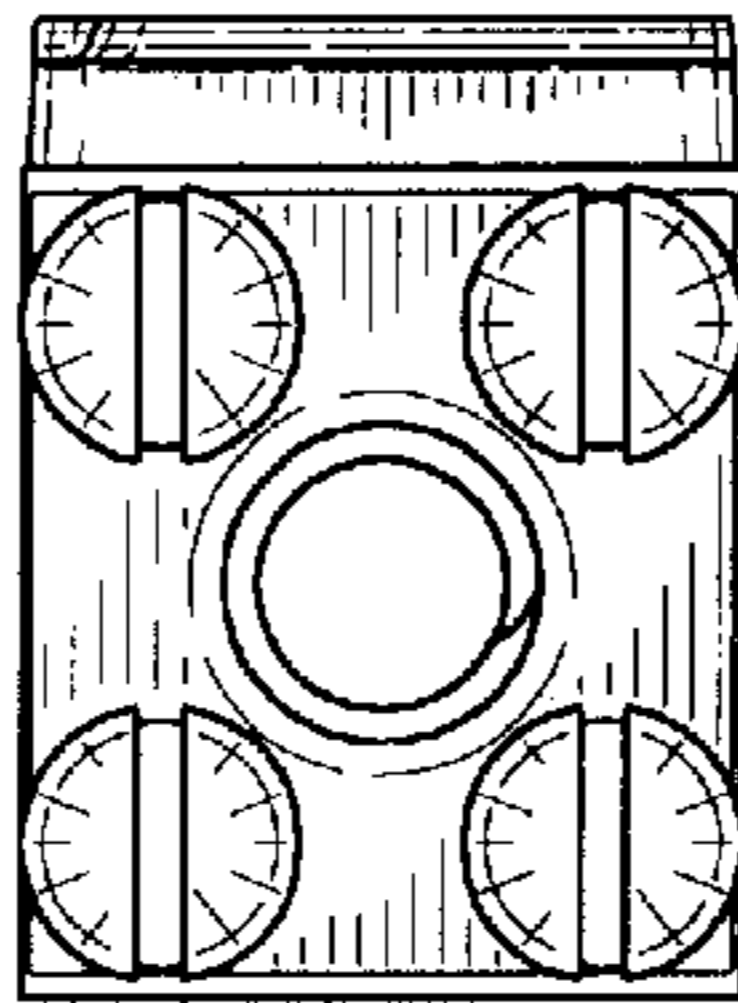


FIG-5

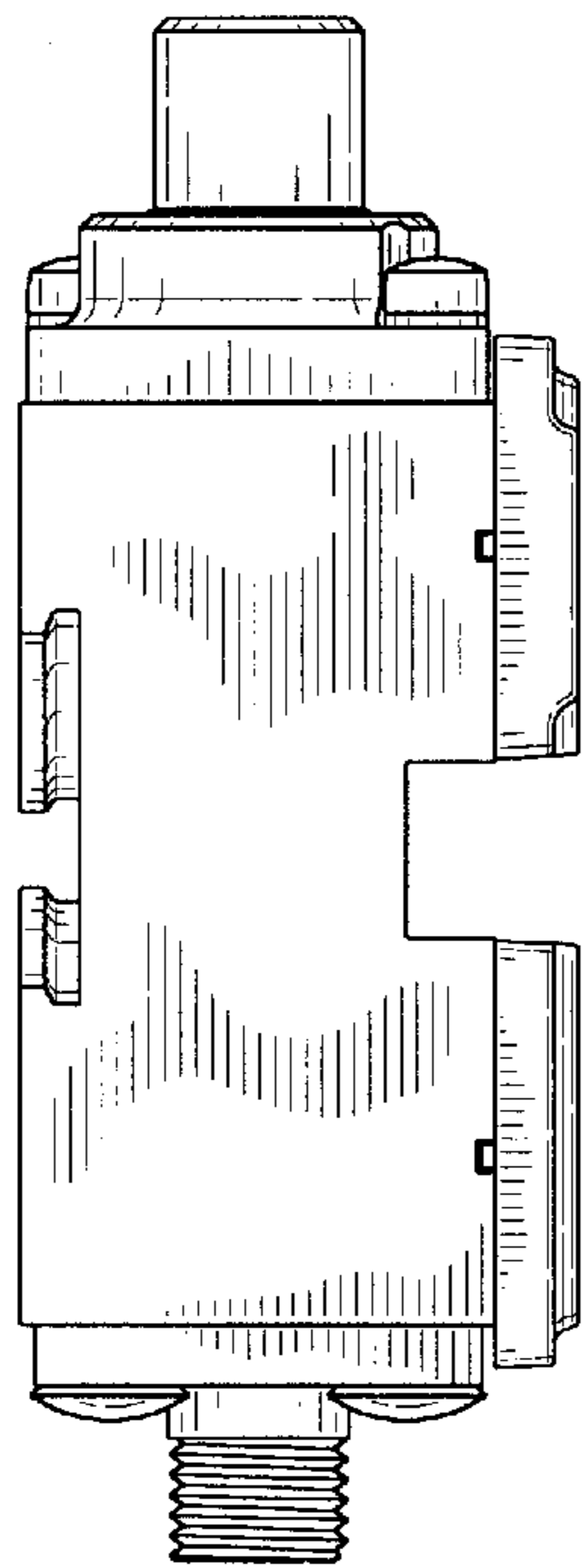


FIG-6

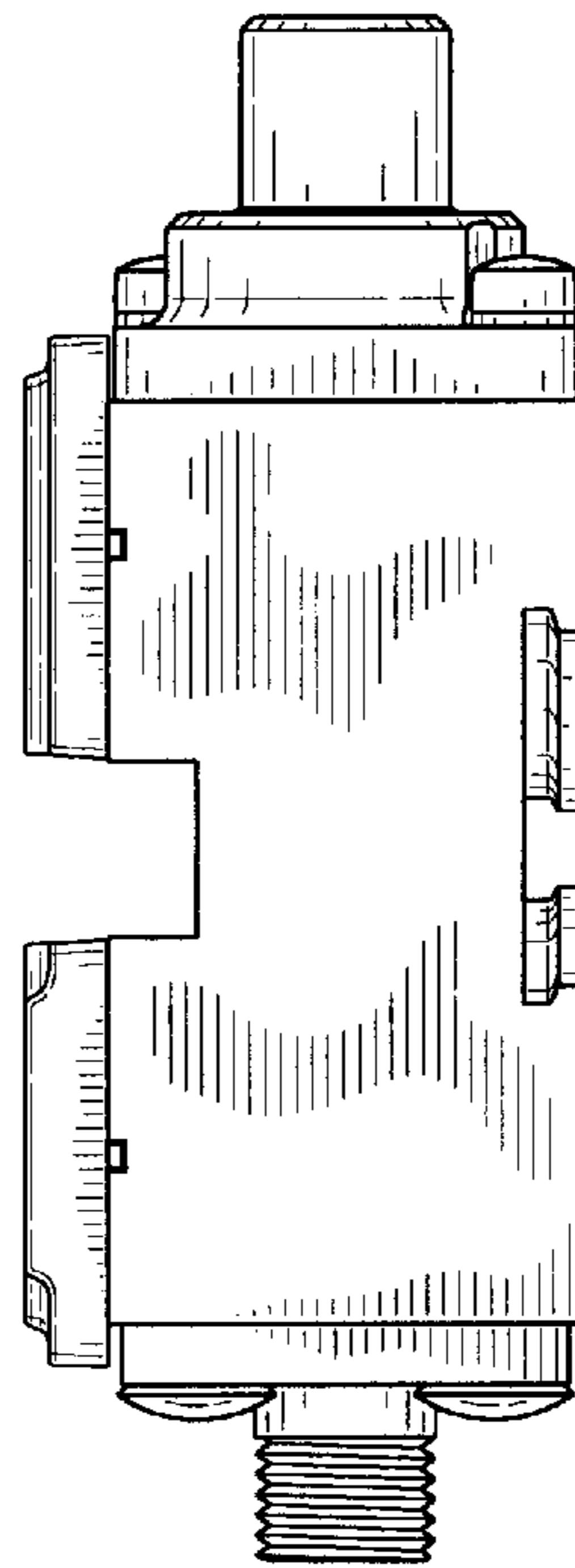


FIG-7