



US00D552715S

(12) **United States Design Patent**
Schmon et al.

(10) **Patent No.:** **US D552,715 S**

(45) **Date of Patent:** **** Oct. 9, 2007**

(54) **PAINT SPRAY GUN**

(75) Inventors: **Ewald Schmon**, Grafenberg (DE);
Albrecht Kruse, Fichtestrasse (DE)

(73) Assignee: **SATA GmbH & Co. KG**,
Kornwestheim (DE)

(**) Term: **14 Years**

(21) Appl. No.: **29/252,736**

(22) Filed: **Jan. 26, 2006**

(30) **Foreign Application Priority Data**

Jul. 28, 2005 (EM) 000378815

(51) **LOC (8) Cl.** **23-01**

(52) **U.S. Cl.** **D23/226**

(58) **Field of Classification Search** D23/223,
D23/226; 239/525-6, 690-1, DIG. 14
See application file for complete search history.

(56) **References Cited**

U.S. PATENT DOCUMENTS

D305,057 S *	12/1989	Morgan	D23/226
D314,421 S *	2/1991	Tajima et al.	D23/226
D405,503 S *	2/1999	Endo	D23/226
D409,719 S *	5/1999	Kaneko	D23/226
6,585,173 B2 *	7/2003	Schmon et al.	239/526
6,626,382 B1 *	9/2003	Liu	239/569
7,017,838 B2 *	3/2006	Schmon	239/526

* cited by examiner

Primary Examiner—Robin Webster

(74) *Attorney, Agent, or Firm*—Martin Fleit; Paul D. Bianco; Fleit Kain Gibbons Gutman Bongini & Bianco P.L.

(57) **CLAIM**

The ornamental design for a paint spray gun, as shown and described.

DESCRIPTION

FIG. 1 is a first front perspective view of a first paint spray gun of the subject invention;

FIG. 2 is a first side view thereof;

FIG. 3 is a second side view thereof;

FIG. 4 is a front view thereof;

FIG. 5 is a rear view thereof;

FIG. 6 is a bottom view thereof;

FIG. 7 is a top view thereof;

FIG. 8 is a first front perspective view of a second paint spray gun of the subject invention;

FIG. 9 is a first side view thereof;

FIG. 10 is a second side view thereof;

FIG. 11 is a front view thereof;

FIG. 12 is a rear view thereof;

FIG. 13 is a bottom view thereof; and,

FIG. 14 is a top view thereof.

1 Claim, 14 Drawing Sheets

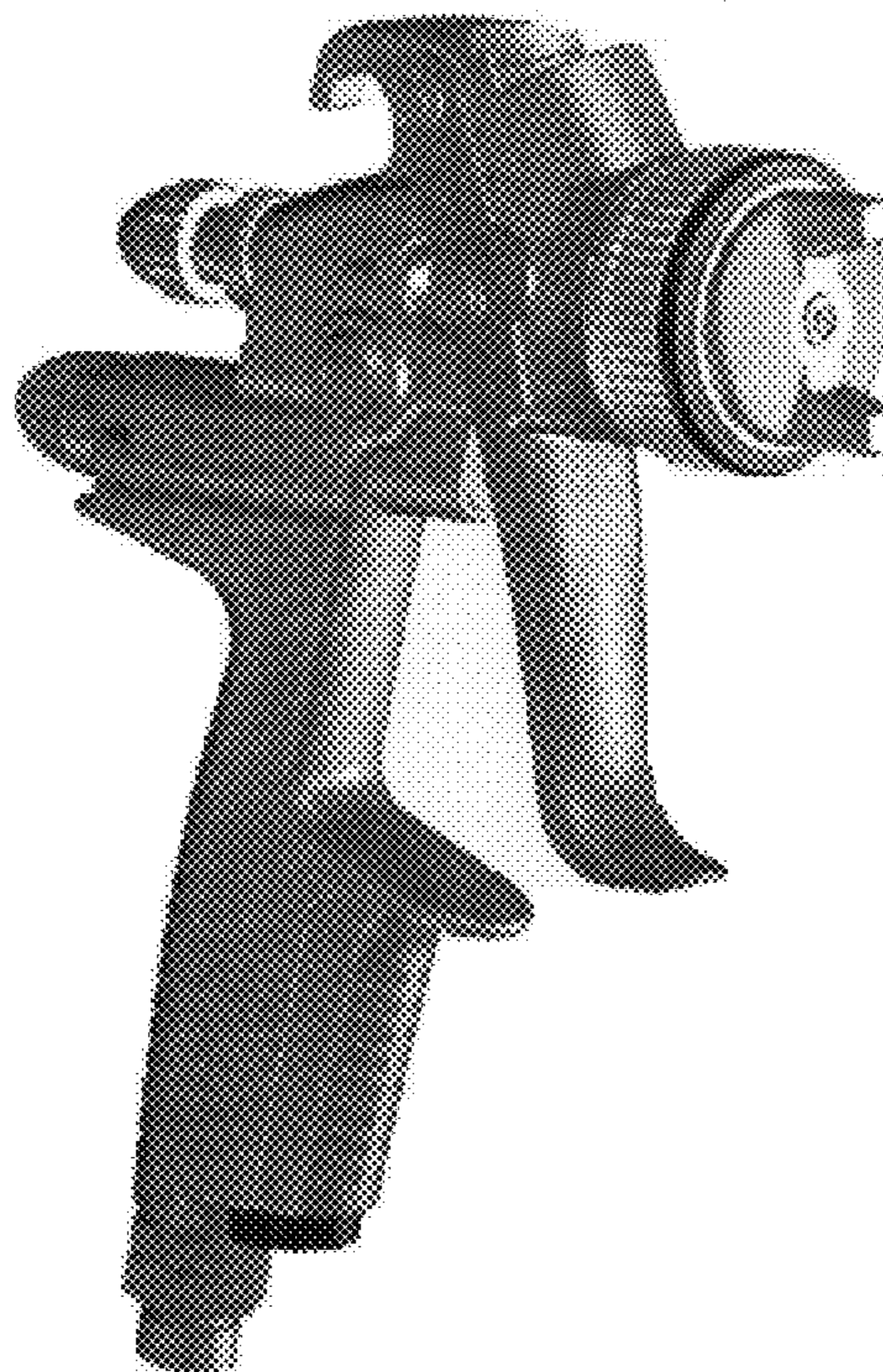




FIG. 1

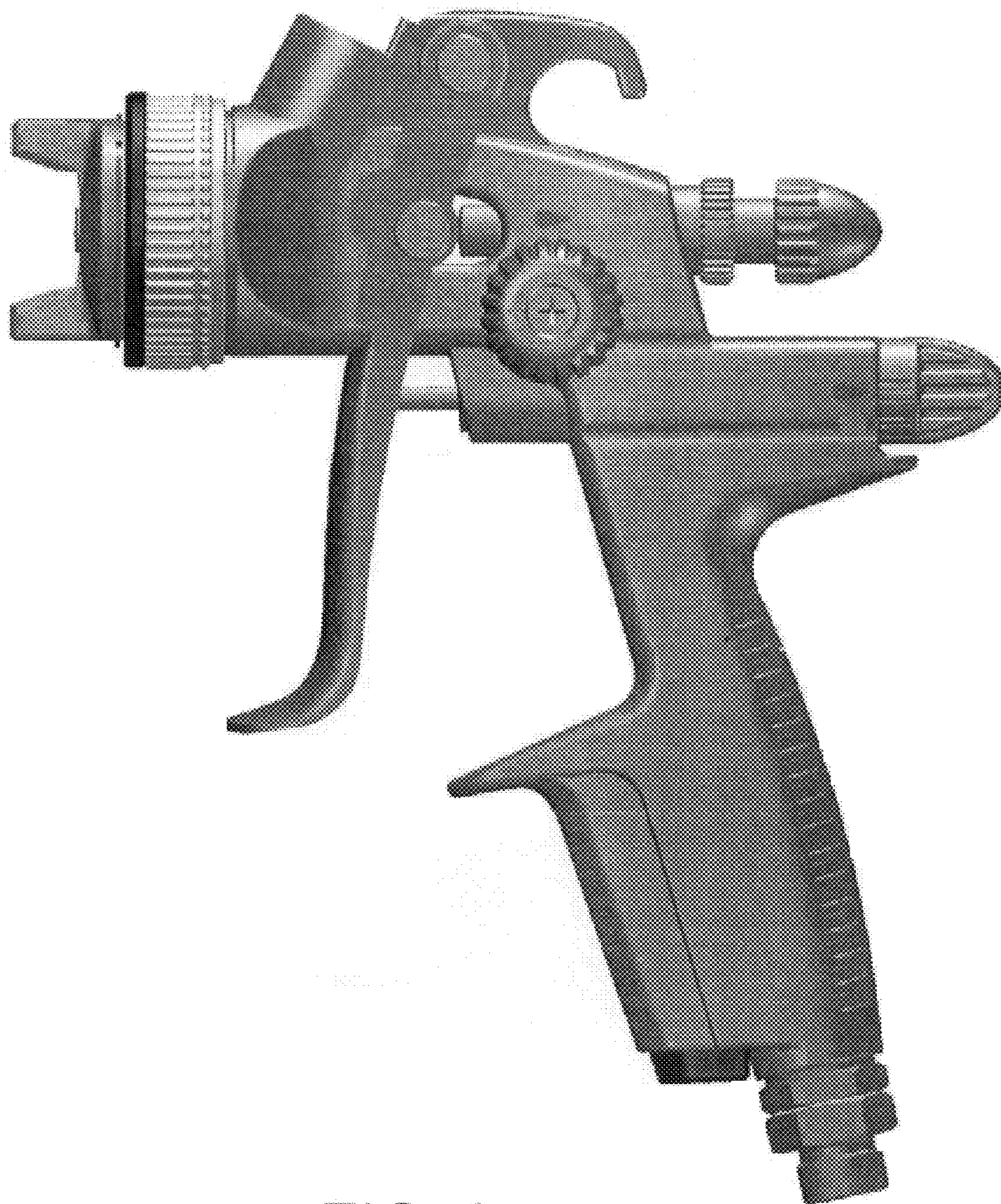


FIG. 2

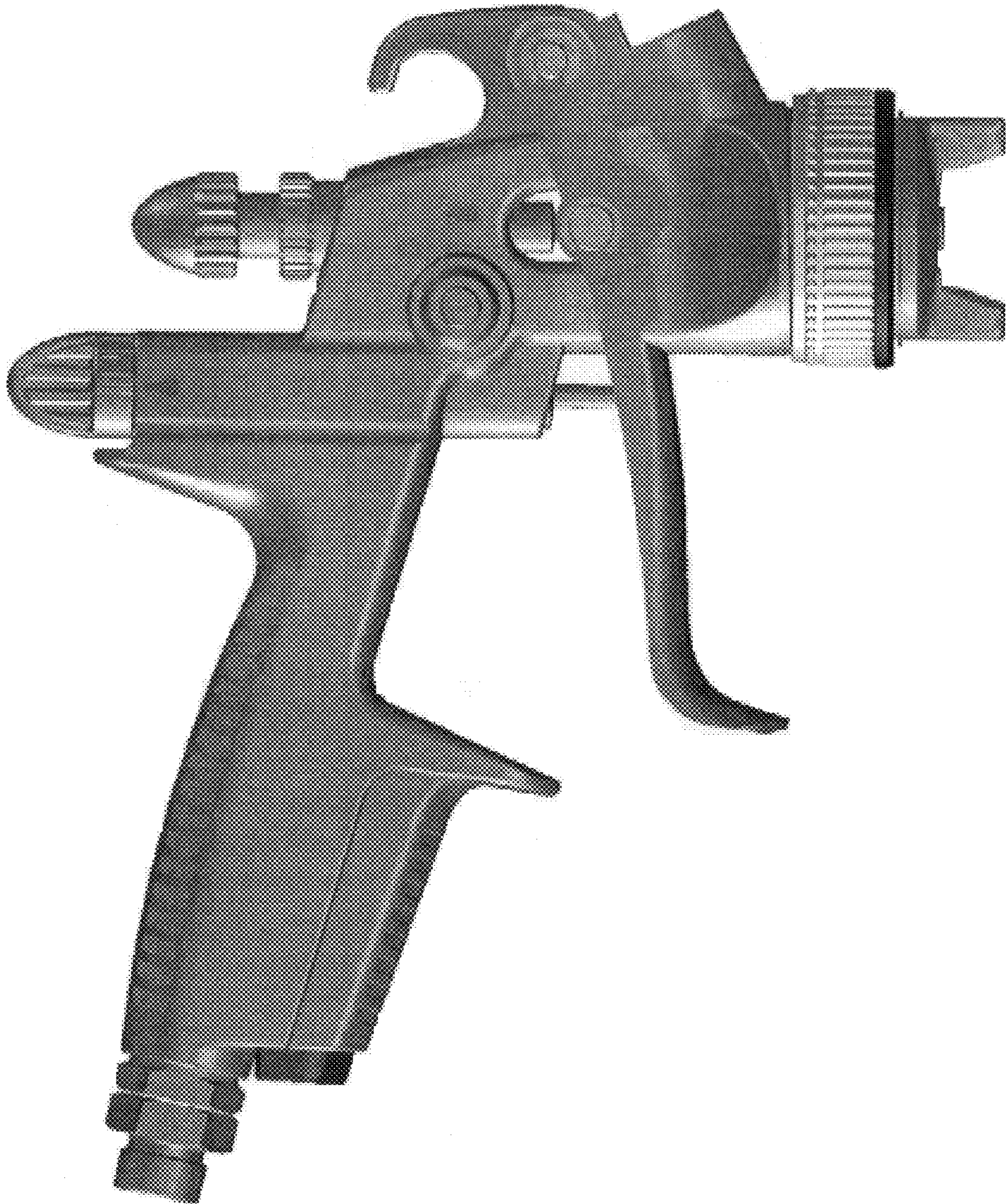


FIG. 3

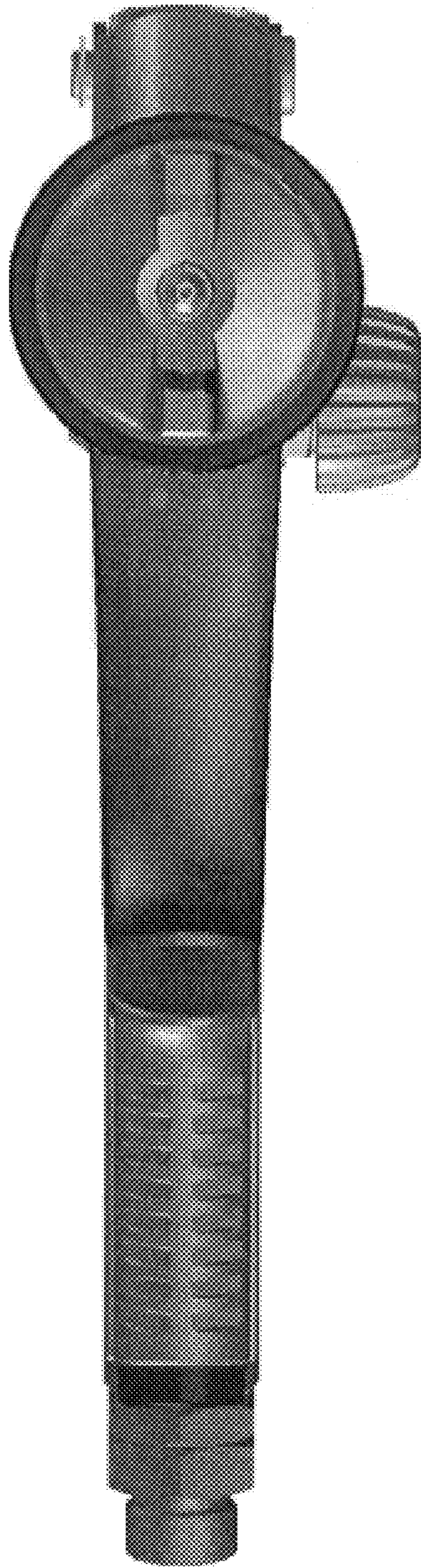


FIG.4

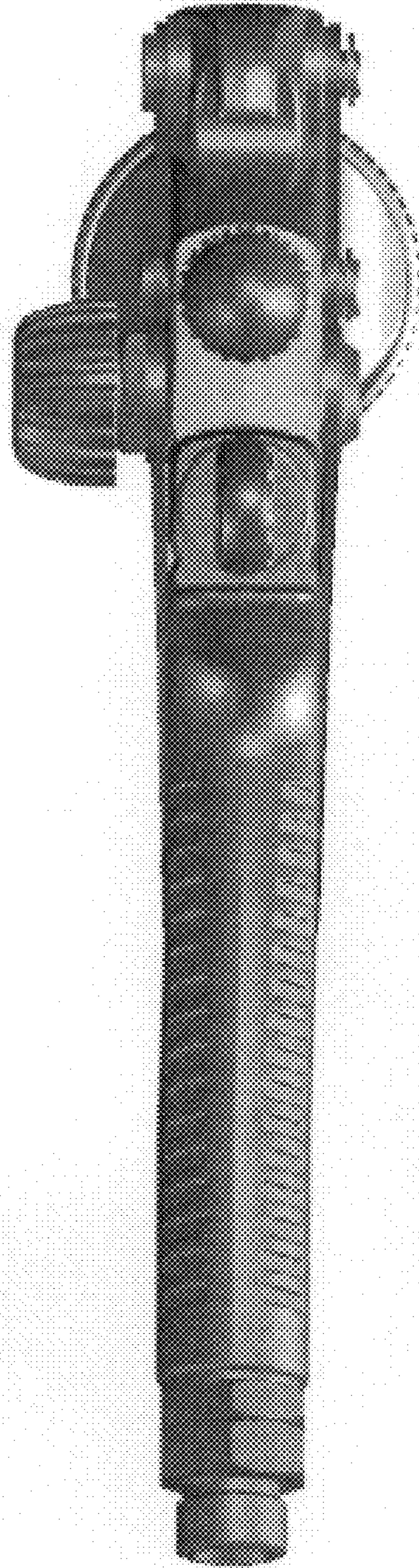


FIG. 5

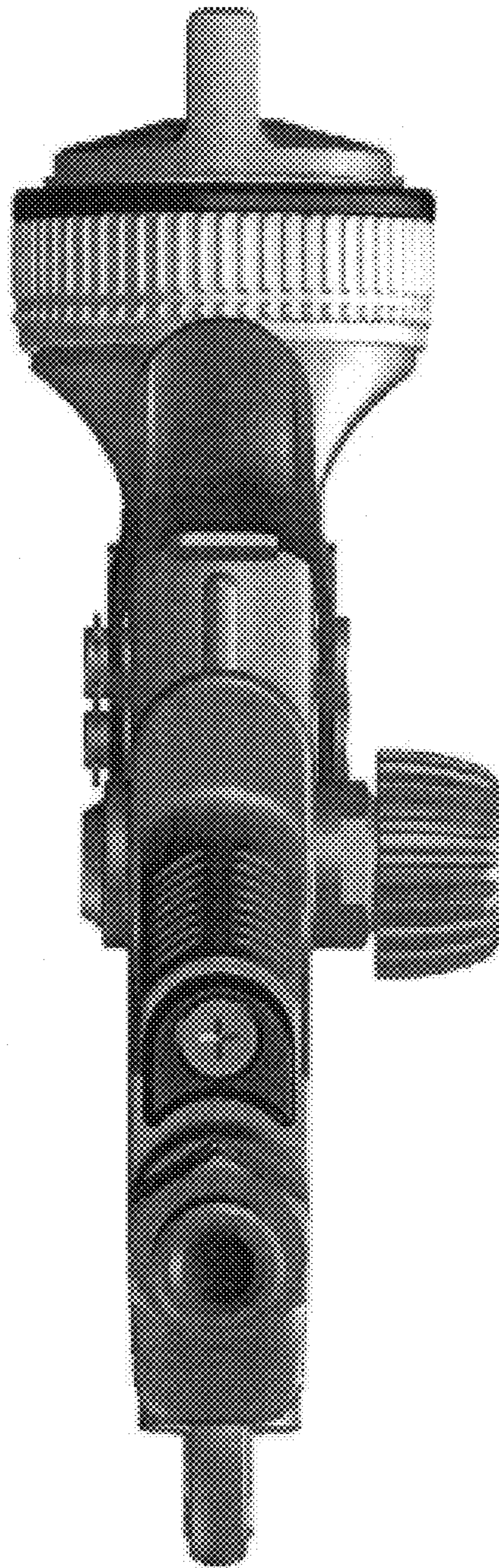


FIG. 6

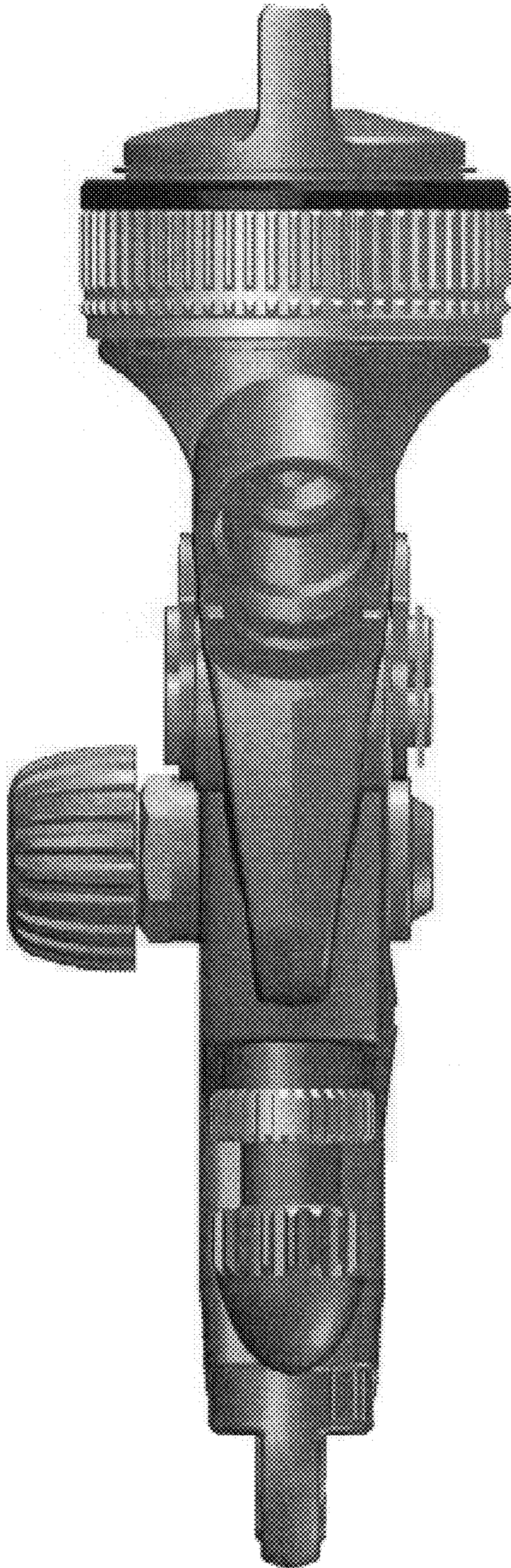


FIG. 7

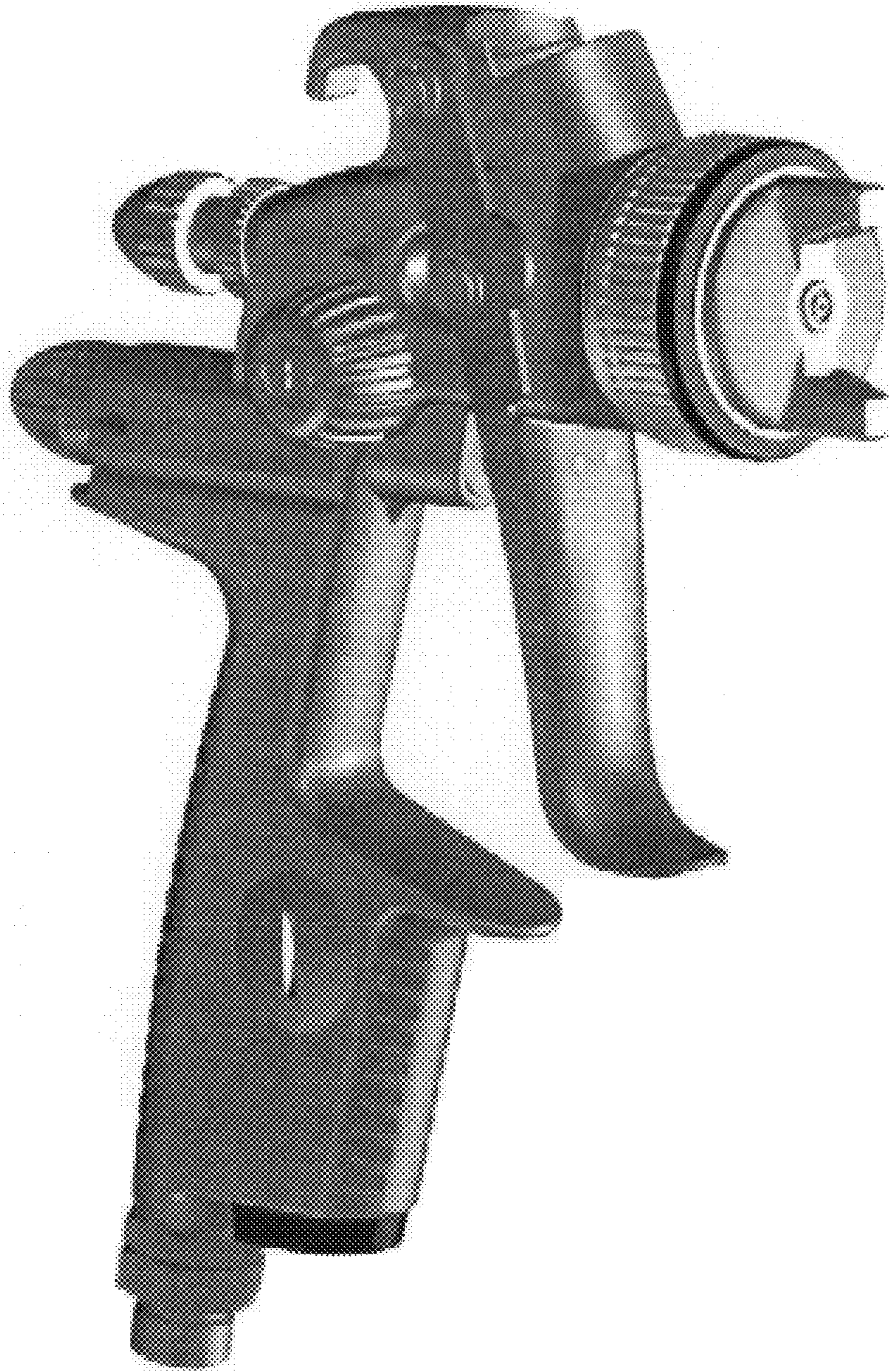


FIG. 8

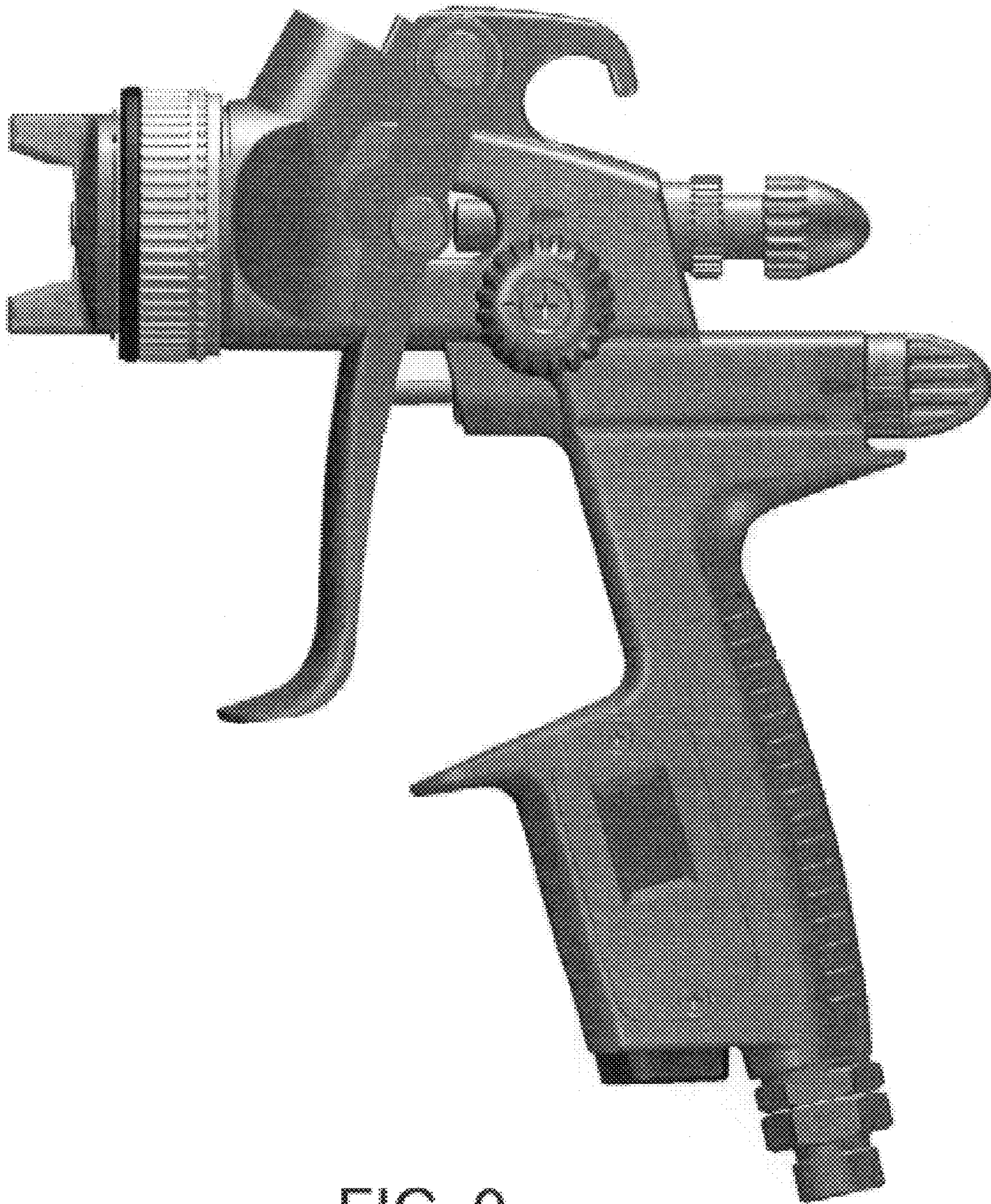


FIG. 9

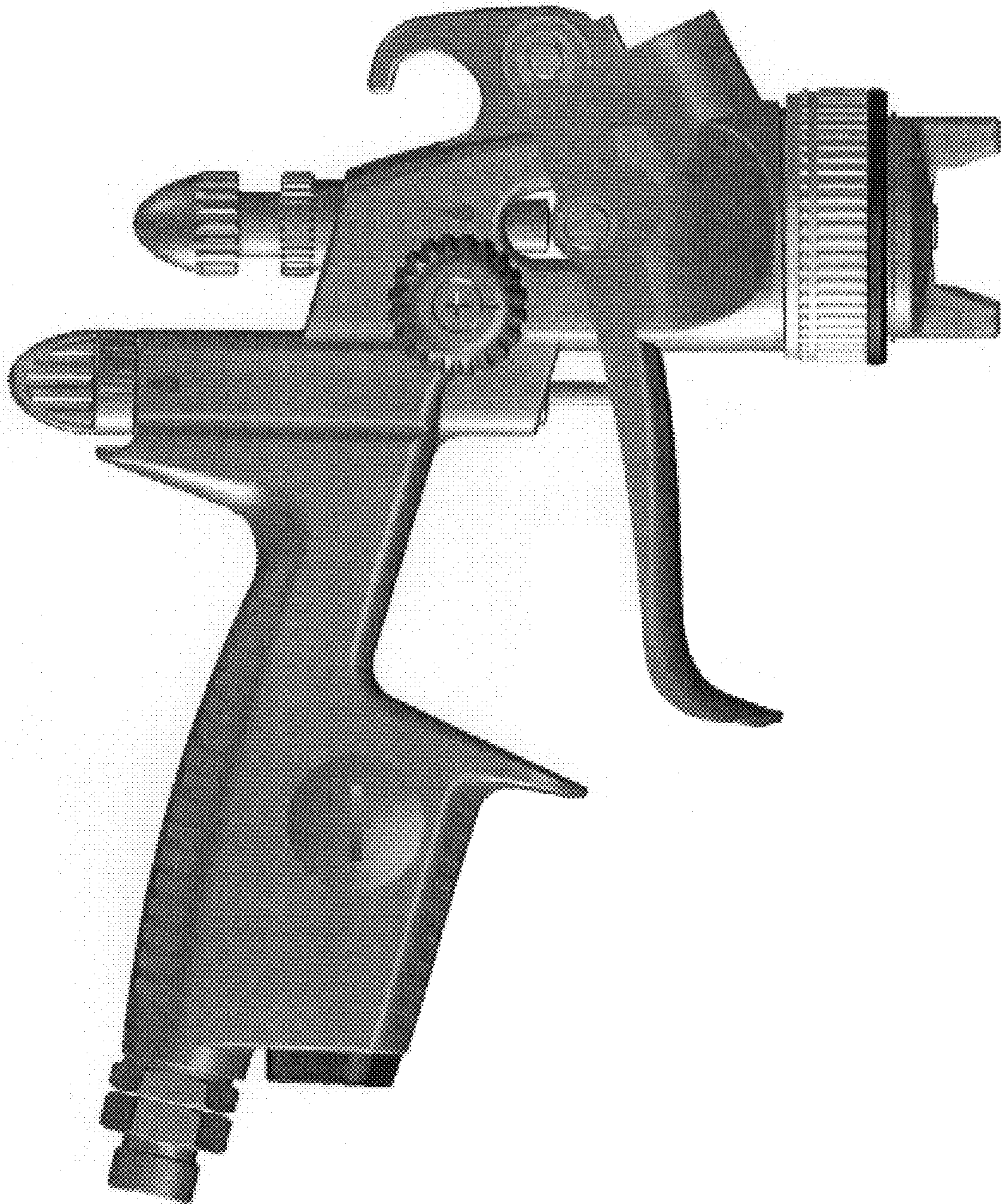


FIG. 10

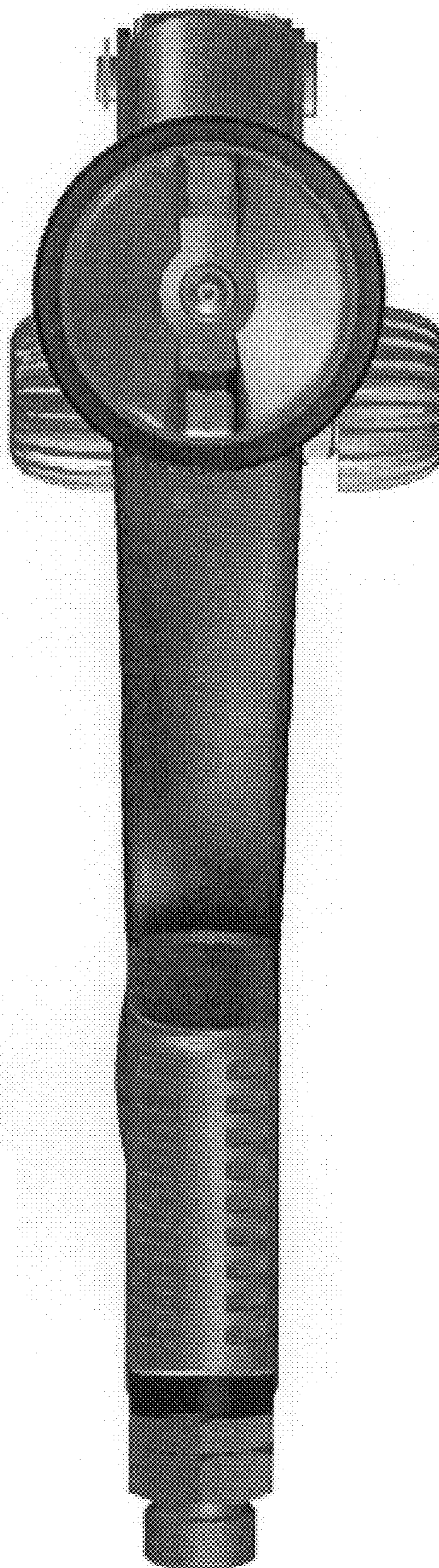


FIG. 11

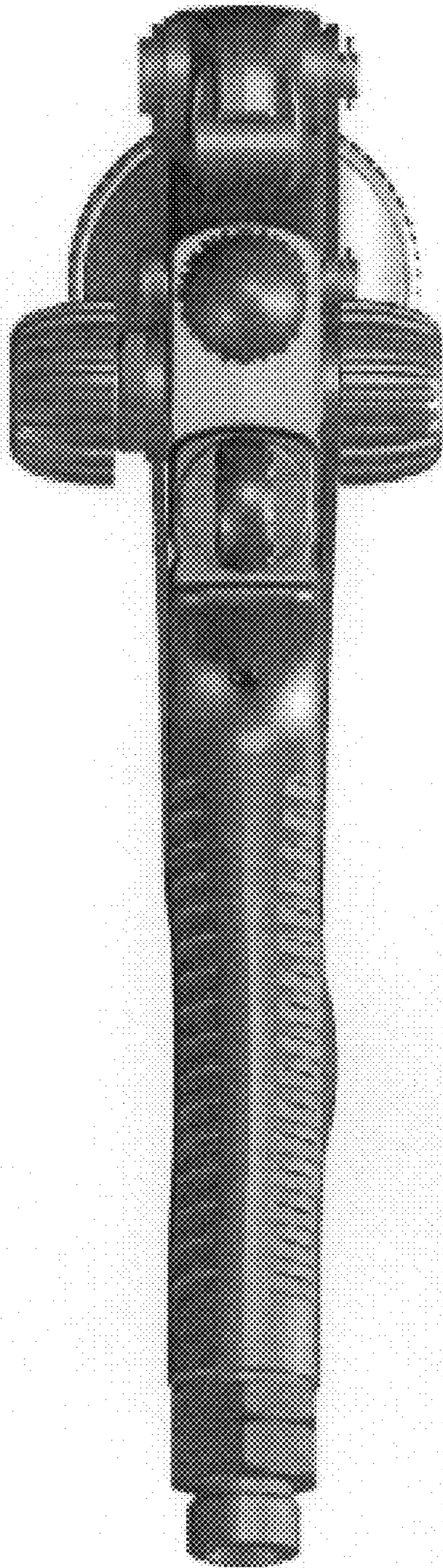


FIG. 12

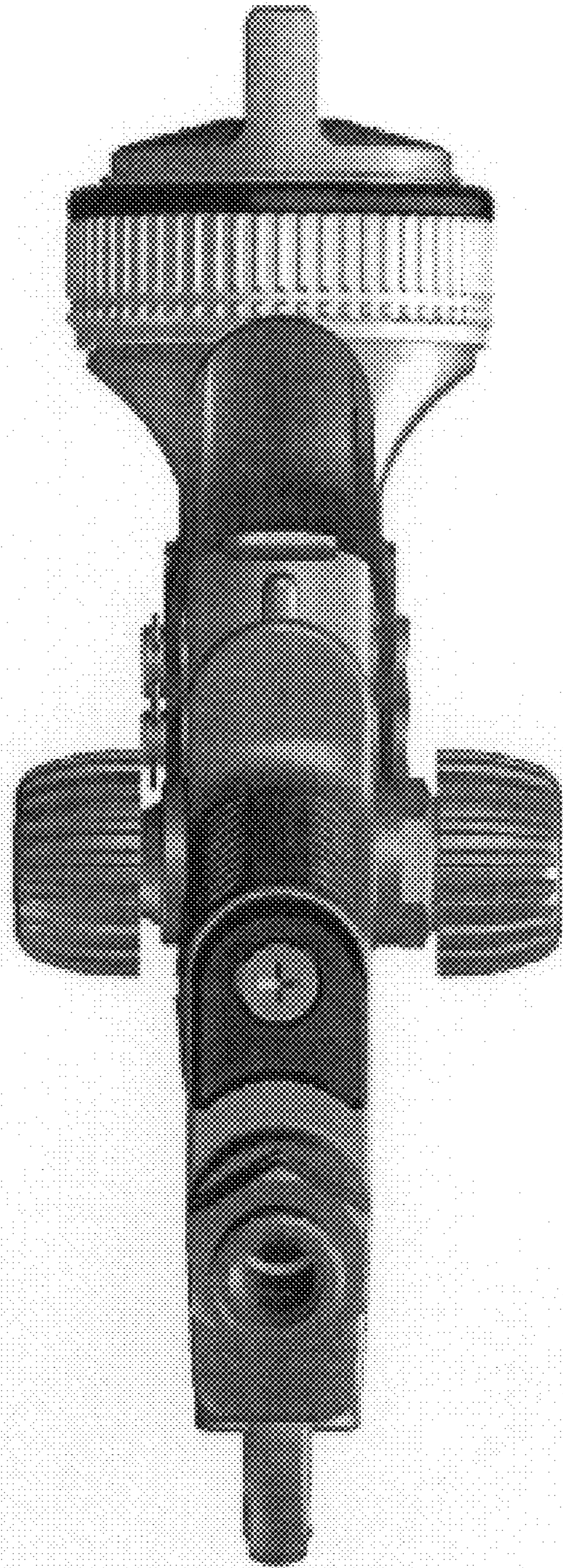


FIG. 13

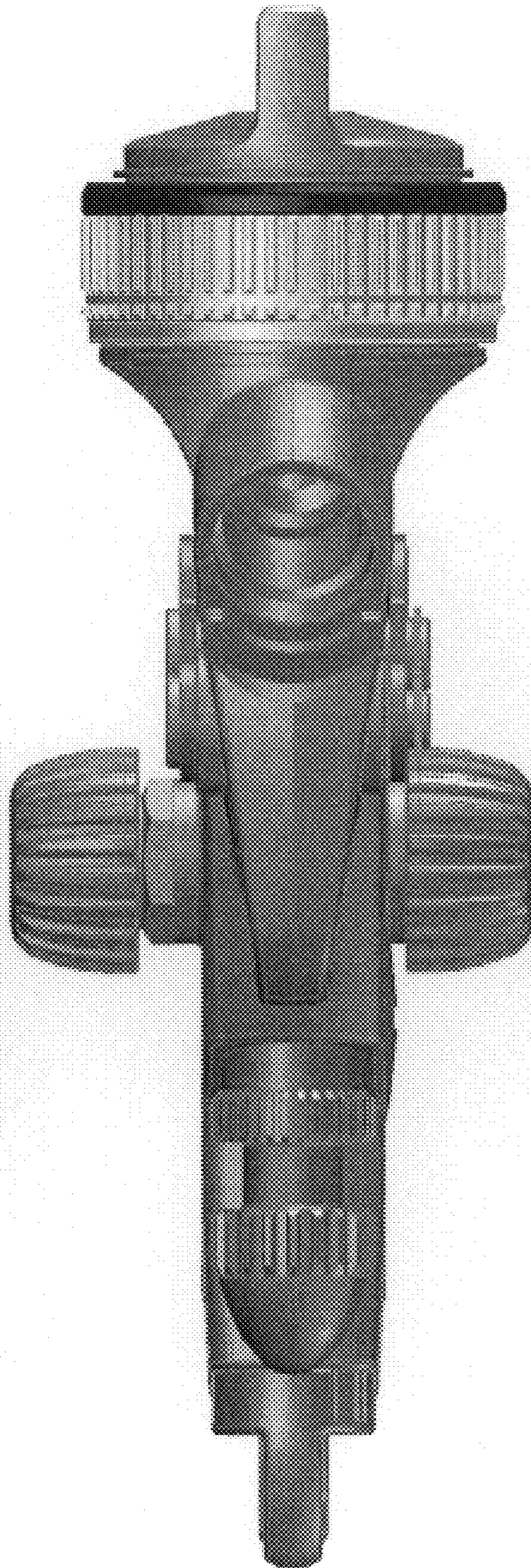


FIG. 14

UNITED STATES PATENT AND TRADEMARK OFFICE
CERTIFICATE OF CORRECTION

PATENT NO. : Des. 552,715 S
APPLICATION NO. : 29/252736
DATED : October 9, 2007
INVENTOR(S) : Ewald Schmon and Albrecht Kruse

Page 1 of 1

It is certified that error appears in the above-identified patent and that said Letters Patent is hereby corrected as shown below:

Title Page; item (75) under Grafenberg (DE), change the inventor's city of residence from "Fichtstrasse" to --STUTTGART--.

Signed and Sealed this

Twenty-fifth Day of December, 2007

A handwritten signature in black ink that reads "Jon W. Dudas". The signature is written in a cursive style with a large, looped initial "J".

JON W. DUDAS

Director of the United States Patent and Trademark Office