



US00D552711S

(12) **United States Design Patent**
Franson et al.

(10) **Patent No.:** **US D552,711 S**
(45) **Date of Patent:** **** Oct. 9, 2007**

(54) **FLOW SHAPER FOR SPRINKLER ASSEMBLY**

D253,364 S * 11/1979 McFadden D23/214
D287,992 S * 1/1987 McLennan et al. D23/214
D303,138 S * 8/1989 Smith D23/214
D516,669 S * 3/2006 Antonucci et al. D23/214

(75) Inventors: **Scott T. Franson**, Hastings, MI (US);
Thomas E. Winebrenner, Hastings, MI (US);
Shawn G. Orr, Grand Rapids, MI (US);
Lindsay M. Barker, Delton, MI (US)

* cited by examiner

Primary Examiner—Robin Webster
(74) *Attorney, Agent, or Firm*—Harness, Dickey & Pierce, P.L.C.

(73) Assignee: **The Viking Corporation**, Hastings, MI (US)

(57) **CLAIM**

(**) Term: **14 Years**

The ornamental design for a flow shaper for sprinkler assembly, as shown and described.

(21) Appl. No.: **29/257,161**

DESCRIPTION

(22) Filed: **Mar. 30, 2006**

FIG. 1 is a perspective view of a flow shaper for sprinkler assembly;

(51) **LOC (8) Cl.** **23-01**

FIG. 2 is a top plan view thereof;

(52) **U.S. Cl.** **D23/213; D23/214**

FIG. 3 is a rear view thereof;

(58) **Field of Classification Search** **D23/213,**

FIG. 4 is a left side view thereof;

D23/214; 239/502; 169/37, 38, 39

FIG. 5 is a front side view thereof; and,

See application file for complete search history.

FIG. 6 is a left side view thereof.

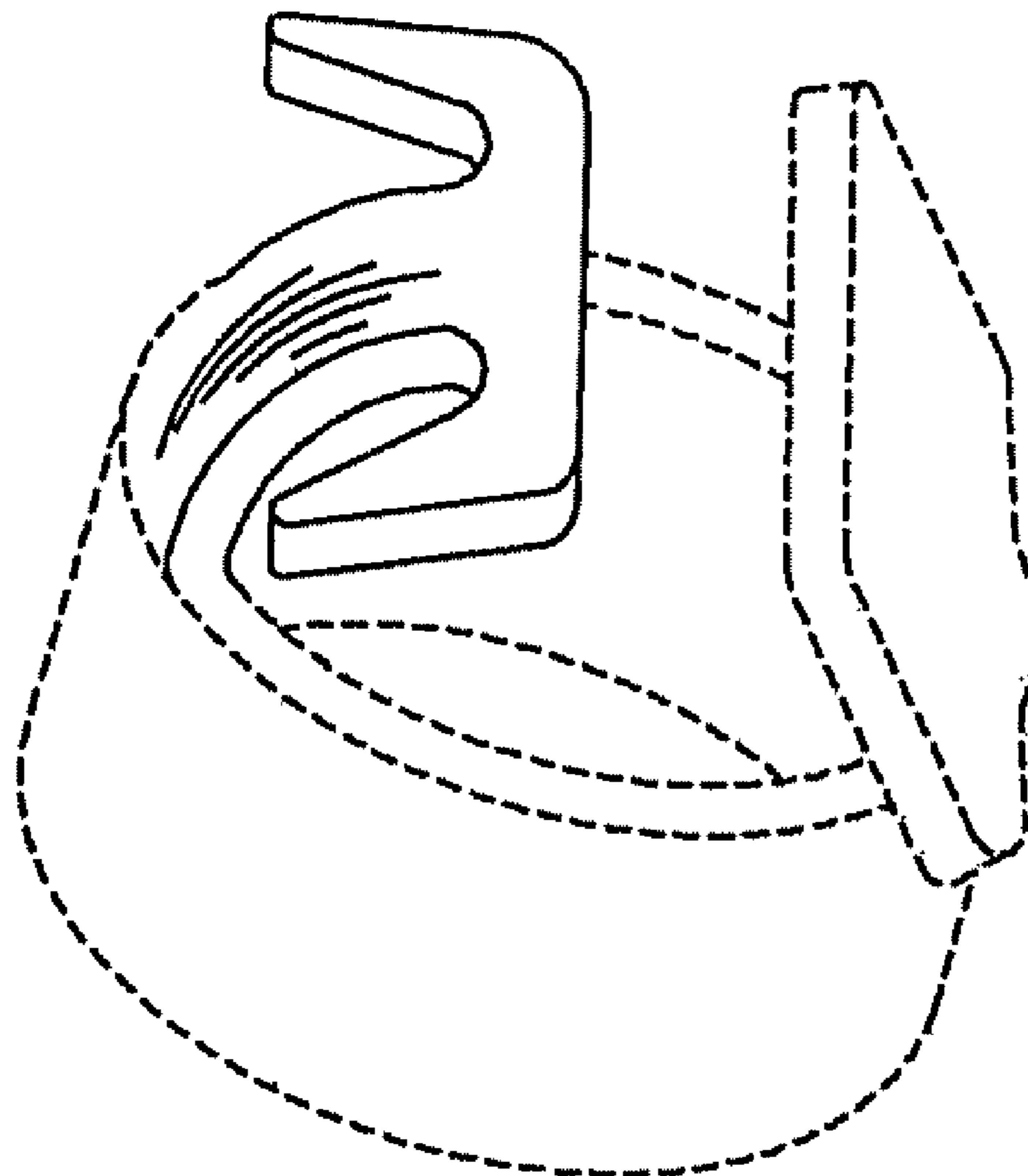
(56) **References Cited**

The lines shown in phantom are for illustrative purposes only and do not form part of the invention.

U.S. PATENT DOCUMENTS

990,780 A 4/1911 Rockwood
1,273,818 A * 7/1918 Buffum 169/39
3,599,723 A * 8/1971 Vorkapich 169/39

1 Claim, 1 Drawing Sheet



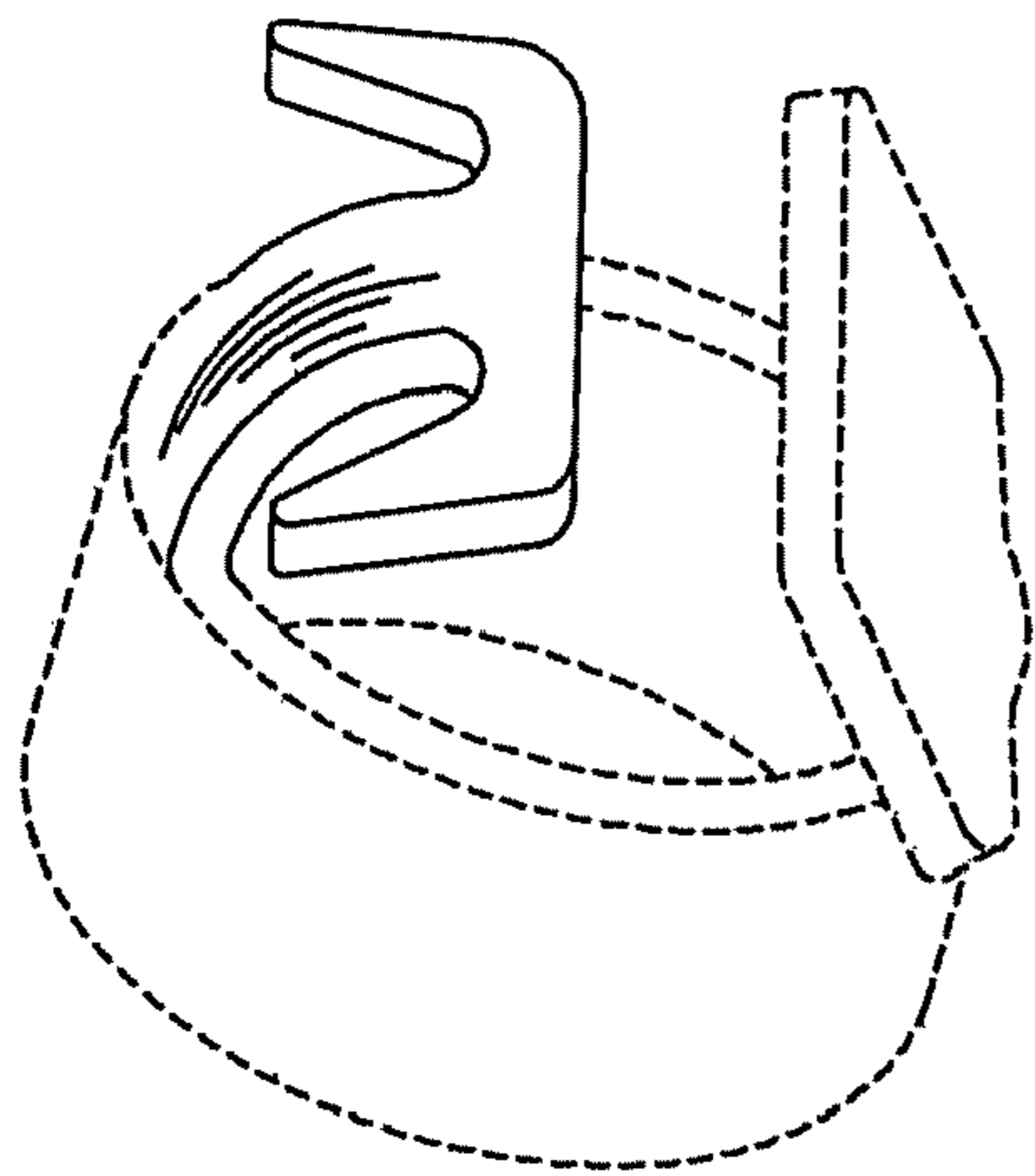


FIG. 1

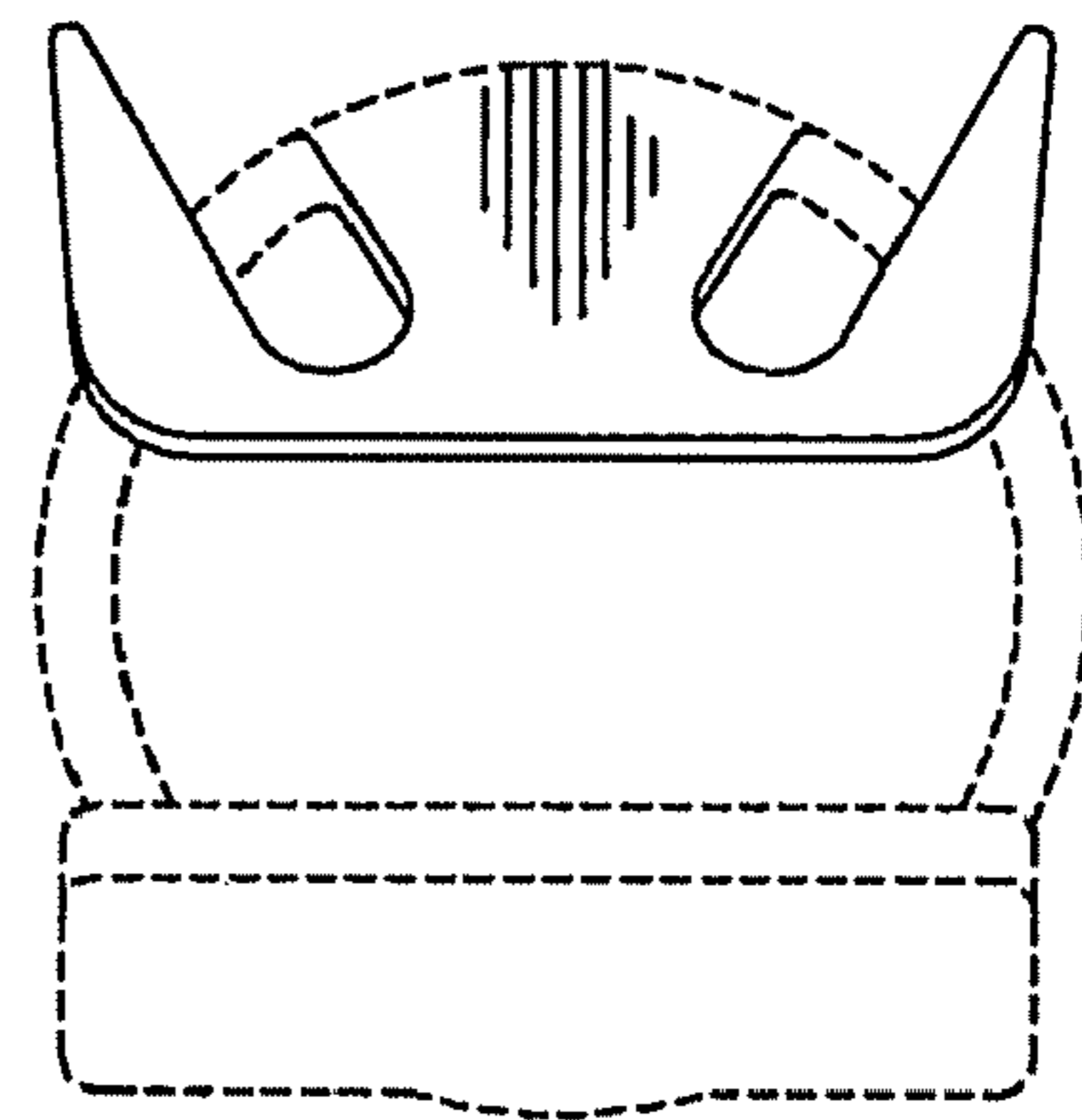


FIG. 2

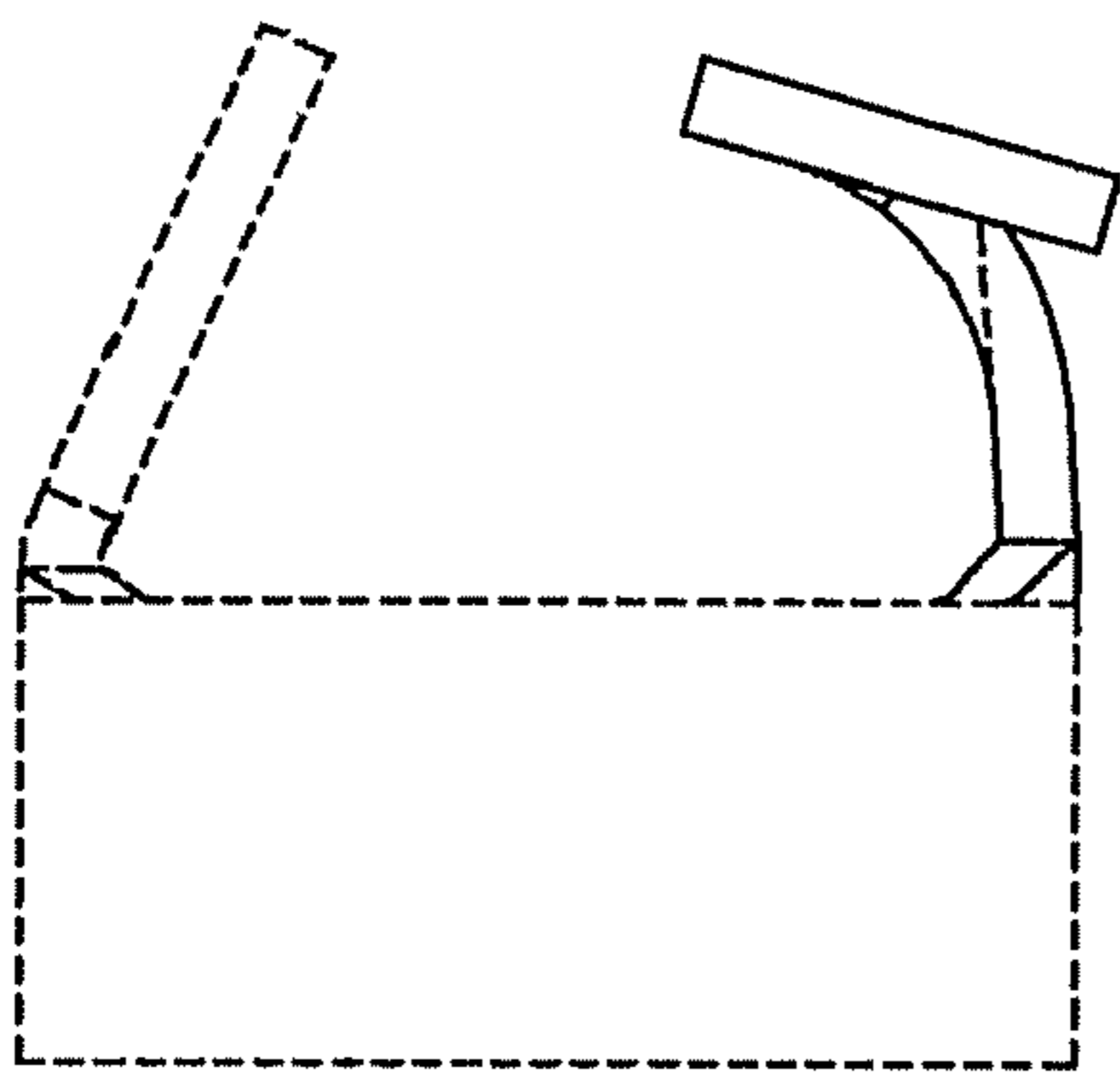


FIG. 3

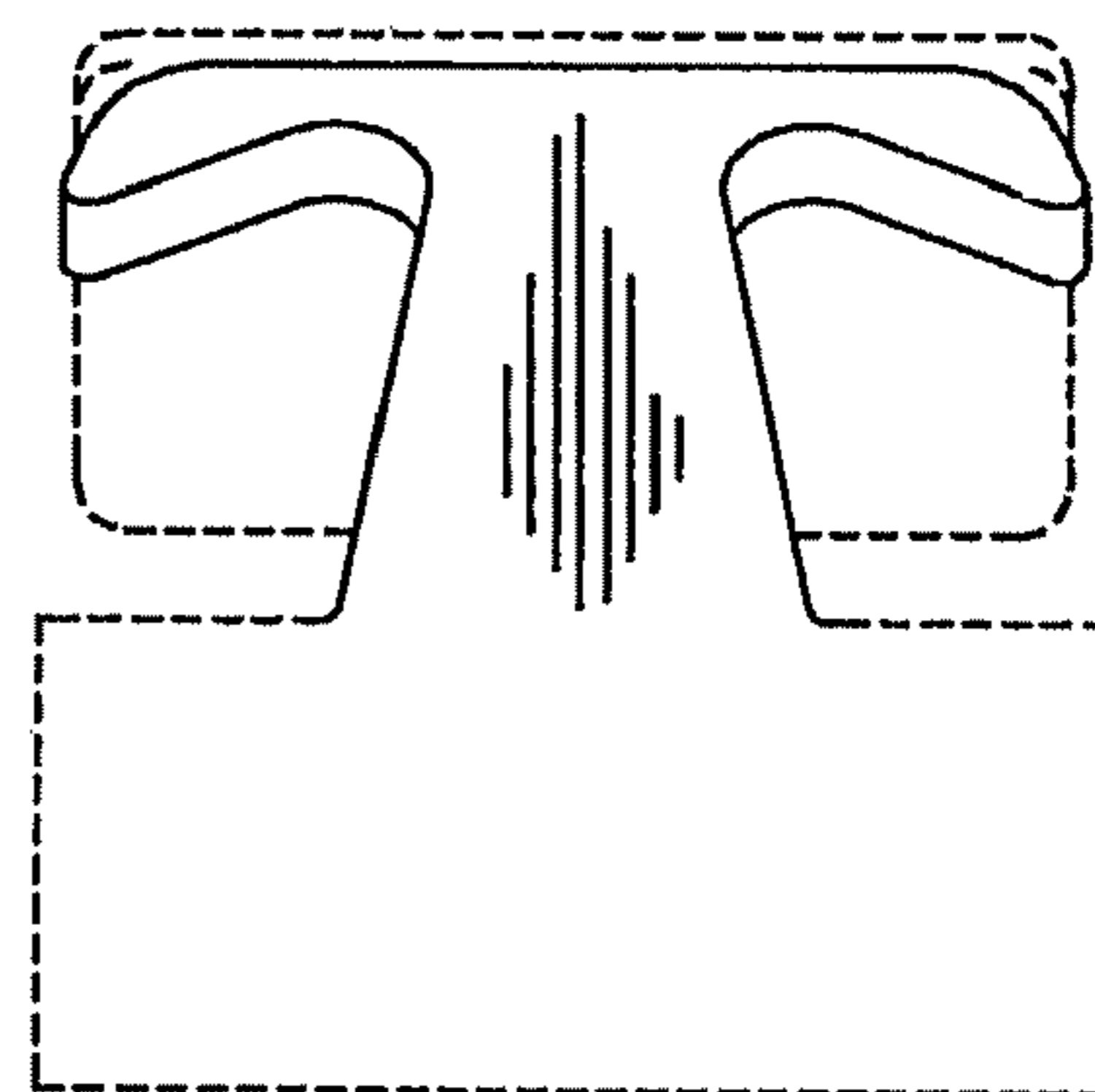


FIG. 4

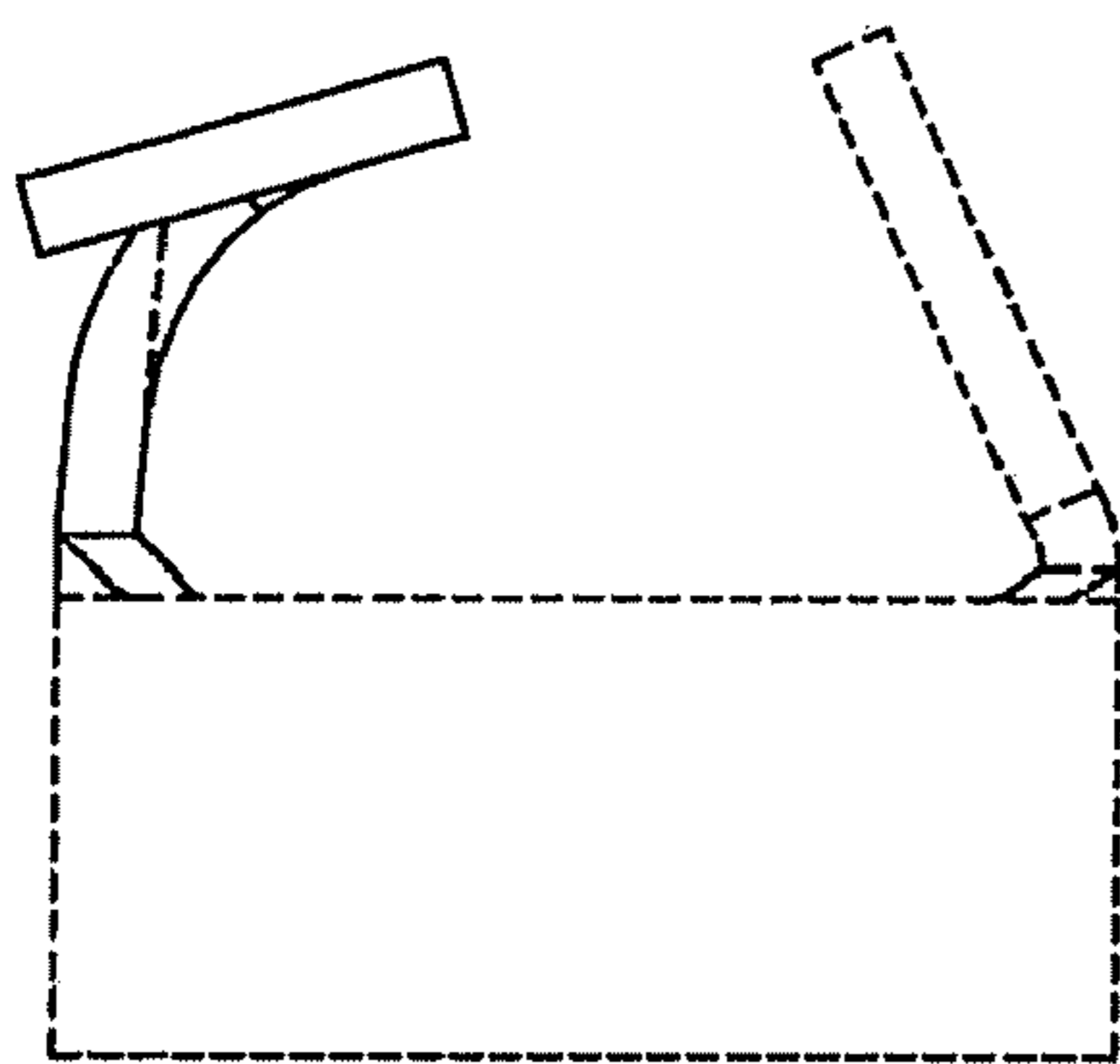


FIG. 5

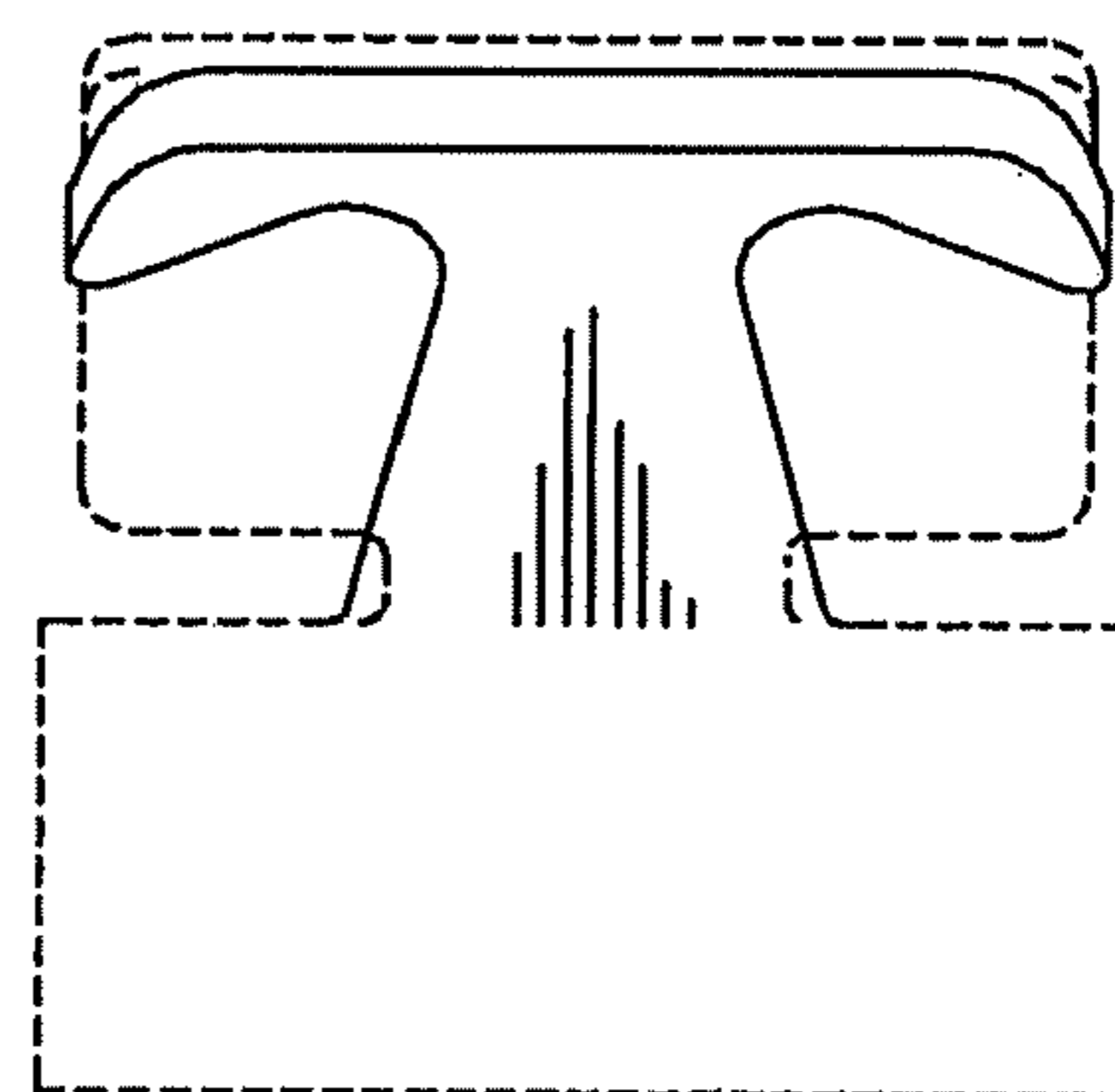


FIG. 6