



US00D552709S

(12) **United States Design Patent**
Lin

(10) **Patent No.:** **US D552,709 S**

(45) **Date of Patent:** **** Oct. 9, 2007**

(54) **WATER PURIFIER**

(76) Inventor: **Yi-Chou Lin**, No. 168, Sec. 2, Jinma Rd., Changhua City, Changhua County (TW) 500

(**) Term: **14 Years**

(21) Appl. No.: **29/248,140**

(22) Filed: **Jul. 31, 2006**

(51) **LOC (8) Cl.** **23-01**

(52) **U.S. Cl.** **D23/207**

(58) **Field of Classification Search** D23/207,
D23/209; 210/435, 241

See application file for complete search history.

(56) **References Cited**

U.S. PATENT DOCUMENTS

- D477,048 S * 7/2003 Yang D23/207
- D482,100 S * 11/2003 Foy et al. D23/207
- D482,755 S * 11/2003 Rhinehart et al. D23/207

* cited by examiner

Primary Examiner—Robin V. Webster

(74) *Attorney, Agent, or Firm*—Pai Patent & Trademark Law Firm; Chao-Chang David Pai

(57) **CLAIM**

The ornamental design for a water purifier, as shown and described.

DESCRIPTION

FIG. 1 shows a perspective view of the present design.

FIG. 2 shows a right side elevational view of the present design.

FIG. 3 shows a top plan view of the present design.

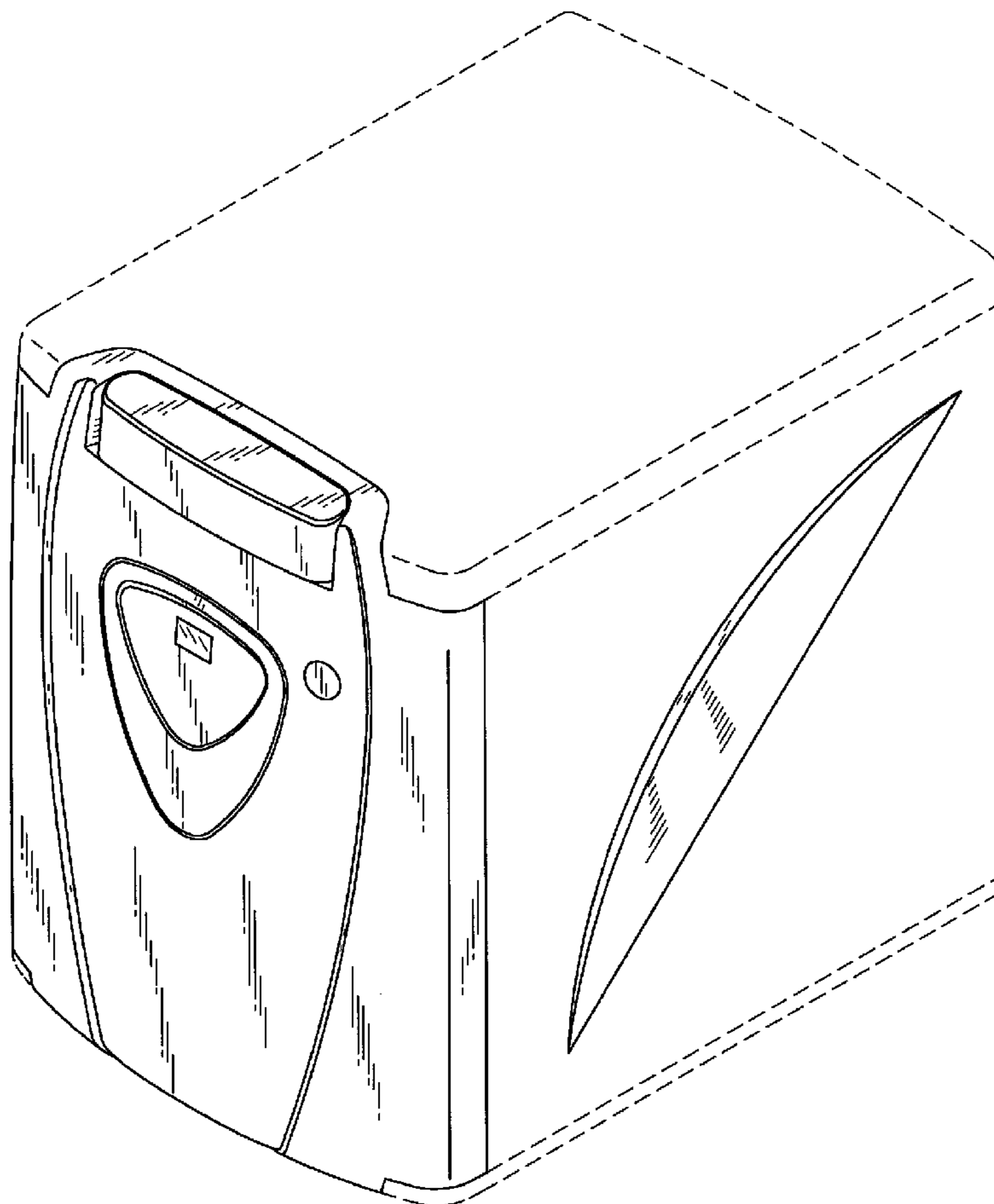
FIG. 4 shows a front elevational view of the present design.

FIG. 5 shows a bottom plan view of the present design; and,

FIG. 6 shows a left side elevational view of the present design.

The outline of the water purifier is shown in broken lines for illustrative purposes and forms no part of the claimed design.

1 Claim, 6 Drawing Sheets



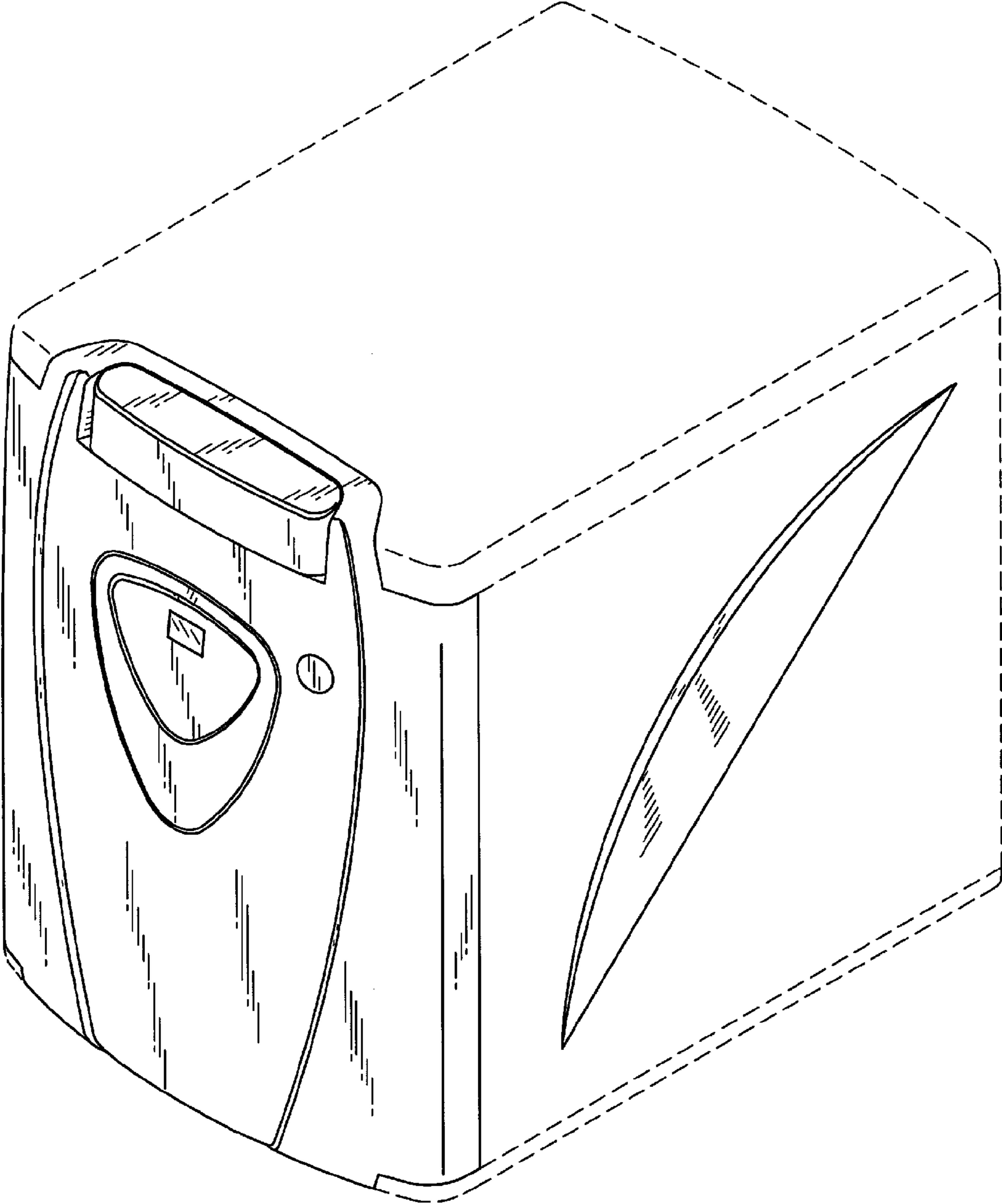


FIG. 1

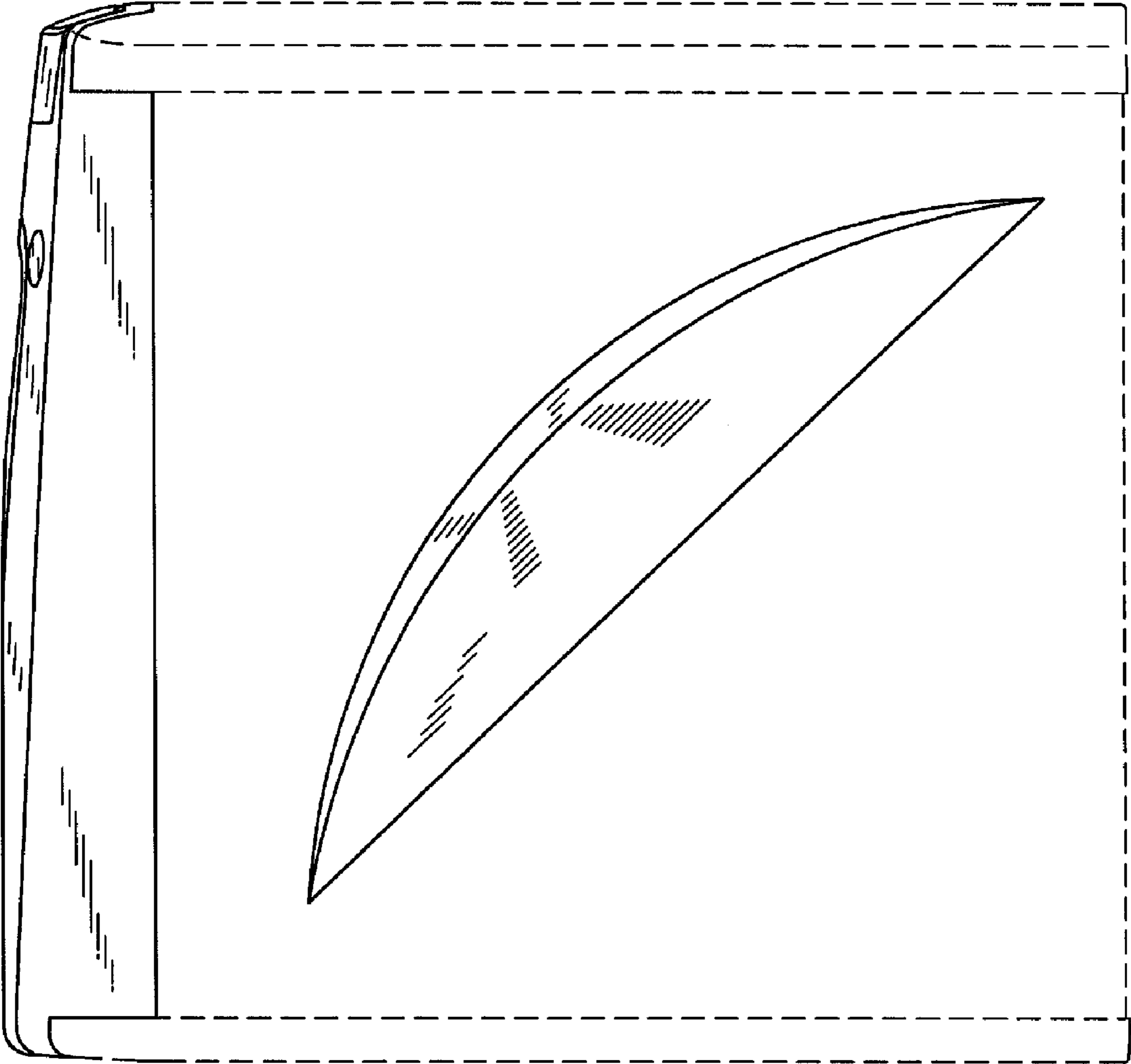


FIG. 2

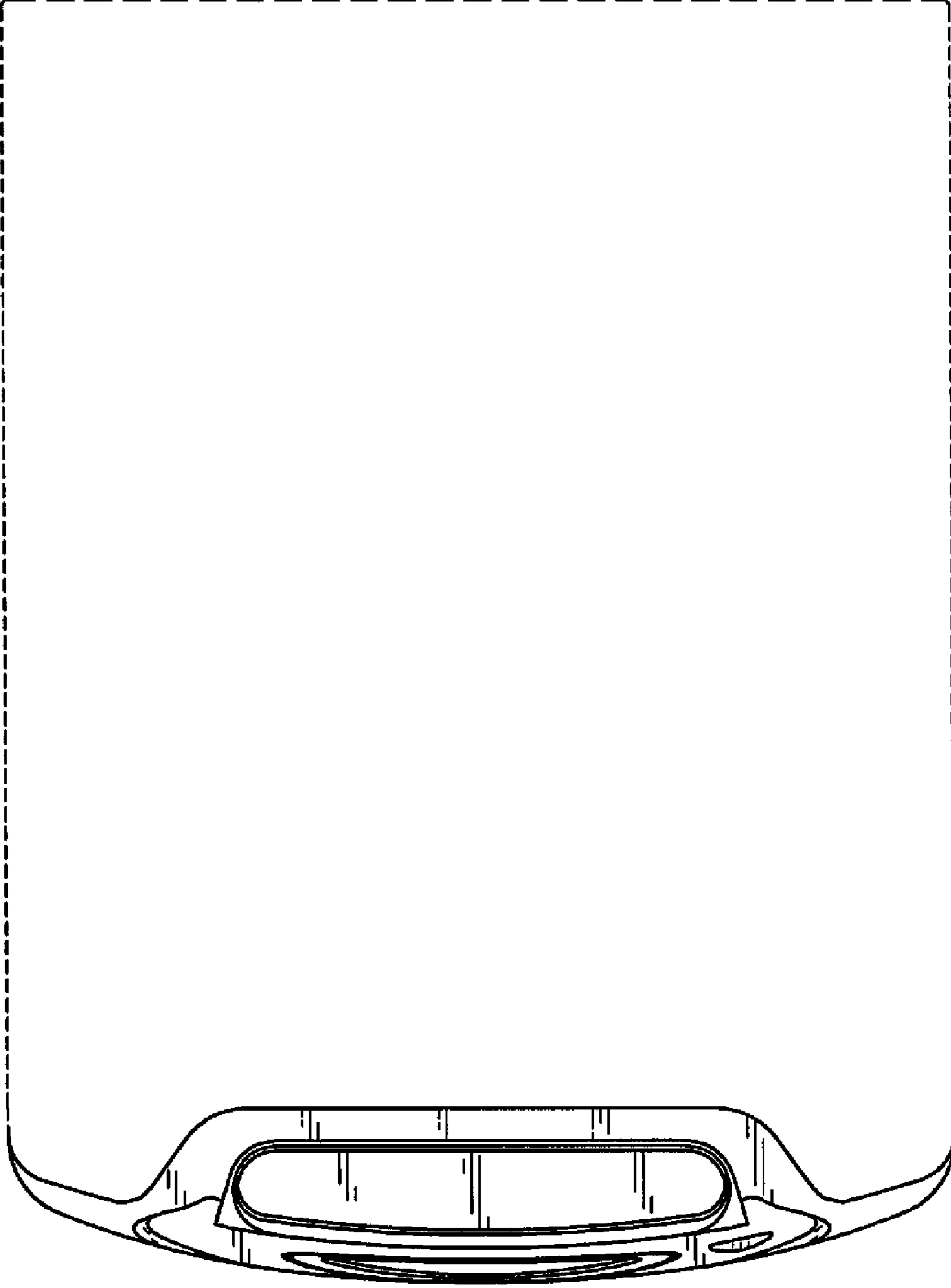


FIG. 3

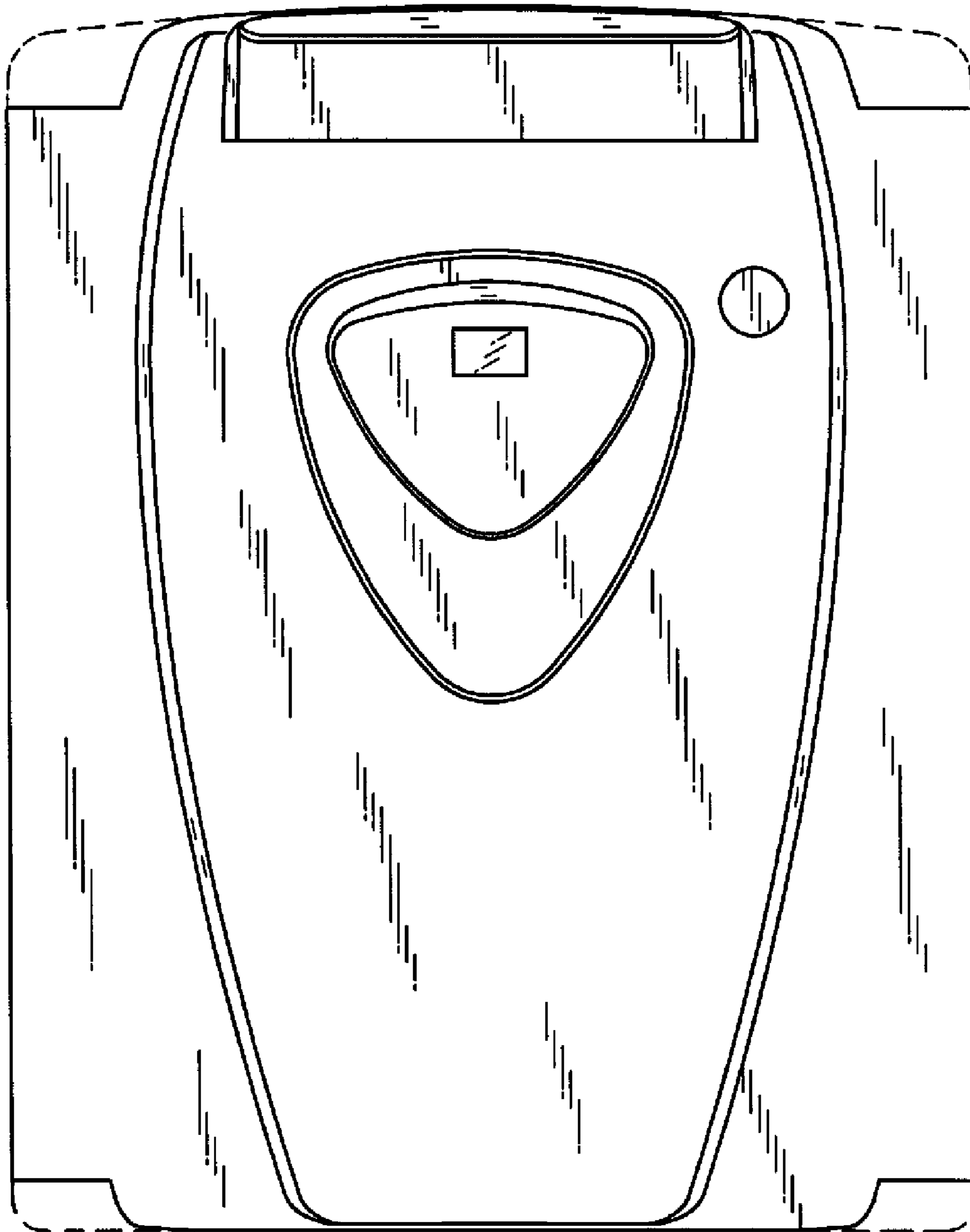


FIG. 4

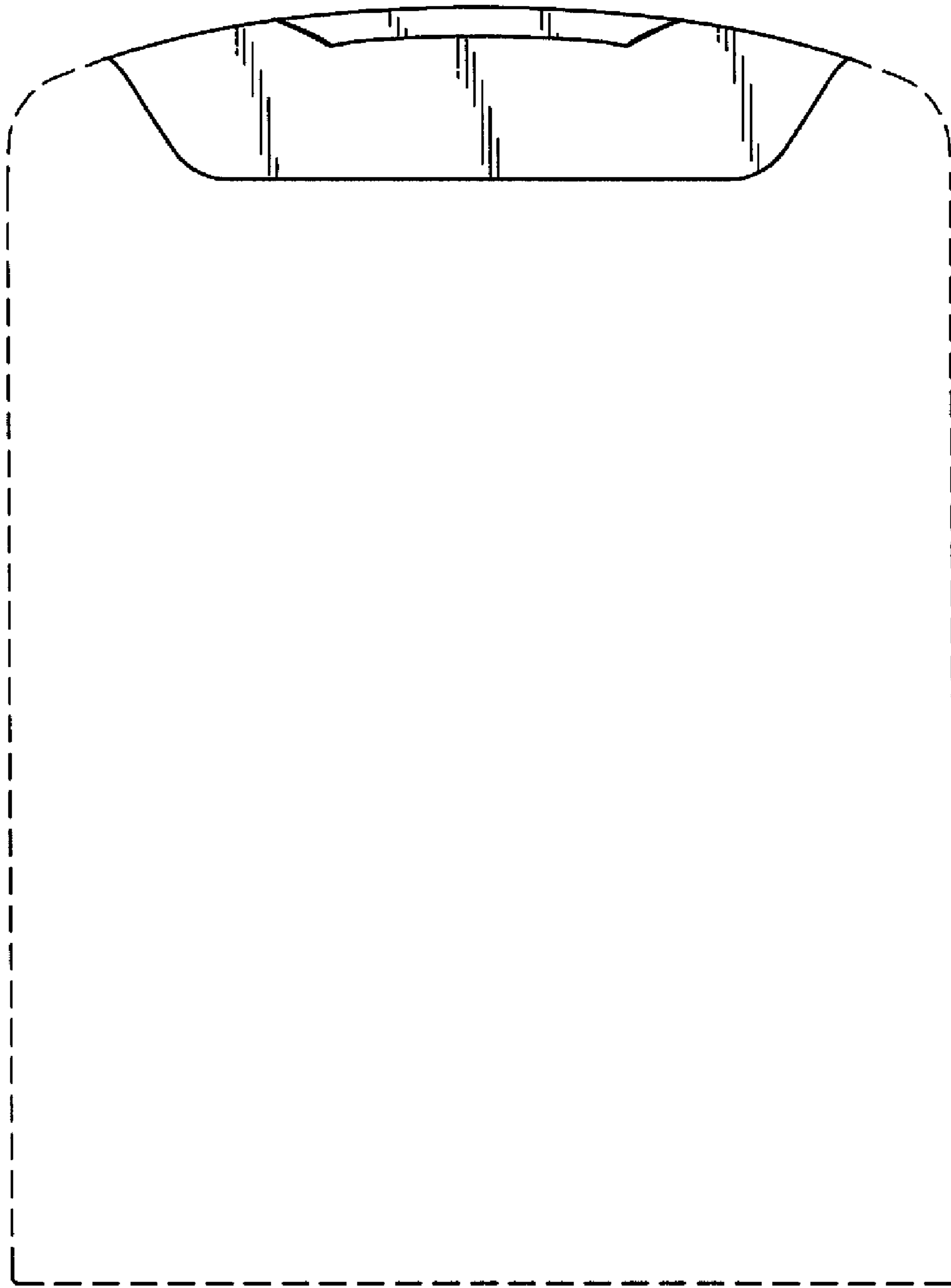


FIG. 5

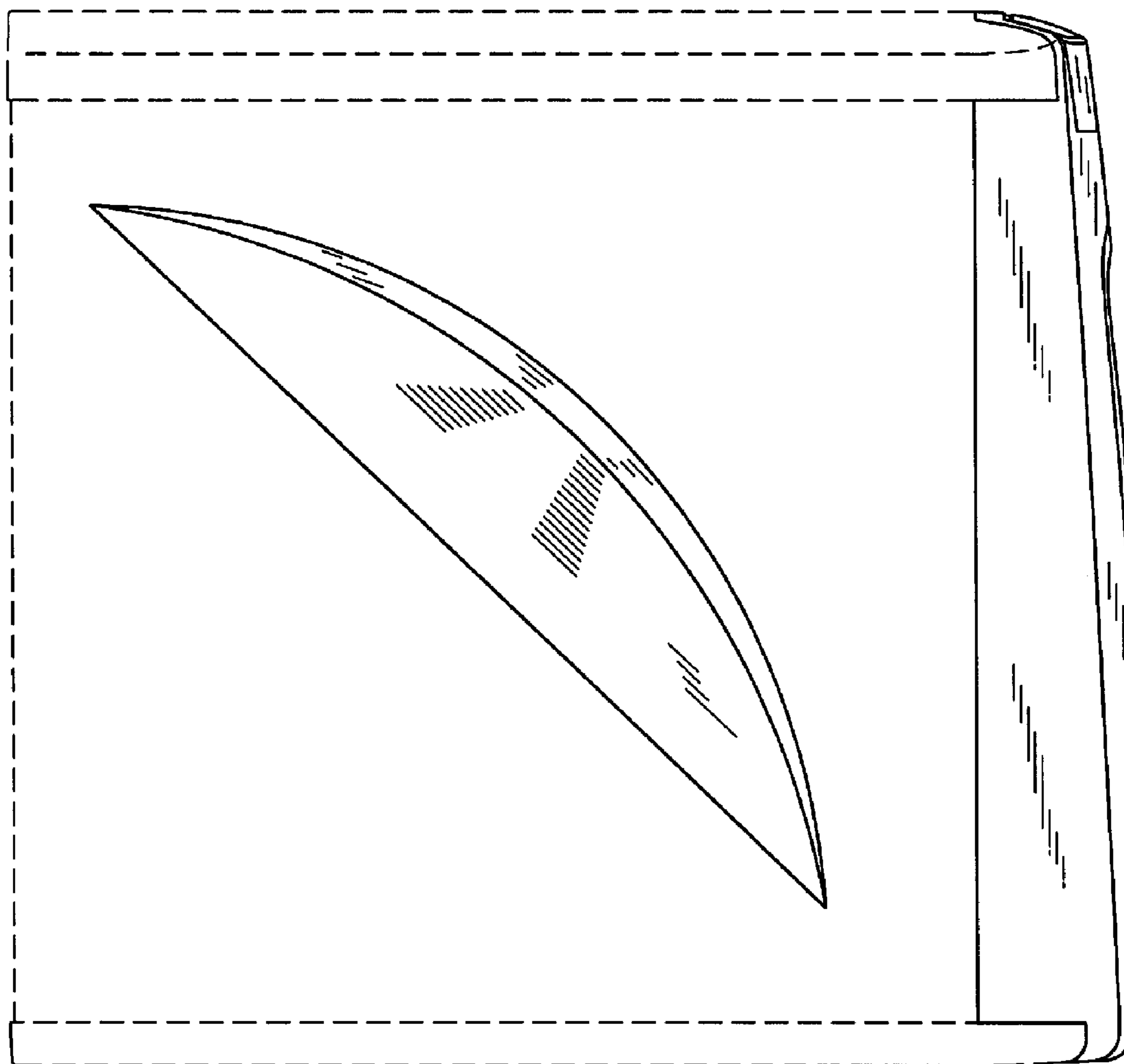


FIG. 6