



US00D552708S

(12) **United States Design Patent** (10) **Patent No.:** **US D552,708 S**
Daley et al. (45) **Date of Patent:** **** Oct. 9, 2007**

(54) **SEWAGE TANK** 2005/0178721 A1 8/2005 Lombardi, II 210/532.2

(75) Inventors: **Paul J. Daley**, Waterford, NY (US);
Clark A. Henry, Scotia, NY (US);
Graeme Hisgrove, Brighton (AU);
Adrian Massey, Mount Waverley (AU)

FOREIGN PATENT DOCUMENTS
DE 199 61 414 7/2001
FR 2 790 495 9/2000

(73) Assignee: **Environment One Corporation**,
Niskayuna, NY (US)

OTHER PUBLICATIONS
Daley, et al., pending U.S. Appl. No. 11/337,363, filed Jan. 23, 2006,
entitled "Sewage Tanks and Grinder Pump Systems".
Daley, et al., pending U.S. Appl. No. 29/210,528, filed Aug. 2, 2004,
entitled "Sewage Tanks".
E/One Sewers™ GP2012 Brochure 10 pp., Jan. 2002.
E/One Sewers™ GP2014 Brochure 8 pp., Mar. 2003.
ZABEL® Environmental Technology. Catalog 2003. "ZABEL in a
Can". pp. 56-57.
ZABEL® Environmental Technology. Catalog 2003. "Advance
Treatment Accessories (Recirculation Devices) ATS-GRD-100/80/
20". p. 73.
ZABEL® Environmental Technology. Catalog 2003. "Step Systems
Zeus Step Packages ZS-300". p. 85.

(**) Term: **14 Years**

(21) Appl. No.: **29/243,106**

(22) Filed: **Nov. 18, 2005**

(51) **LOC (8) Cl.** **23-01**

(52) **U.S. Cl.** **D23/203**

(58) **Field of Classification Search** D23/202-3;
220/561, 565, 4.12, 587; 210/532.2, 170.08

See application file for complete search history.

(Continued)

(56) **References Cited**

Primary Examiner—Robin Webster
(74) *Attorney, Agent, or Firm*—Heslin Rothenberg Farley &
Mesiti P.C.

U.S. PATENT DOCUMENTS

D154,966 S	8/1949	Walsh	D23/205
3,451,553 A *	6/1969	Cloyd	210/170.08
4,909,393 A	3/1990	Palisin, Jr.	206/519
4,961,670 A *	10/1990	McKenzie et al.	405/53
D357,530 S	4/1995	Grenier et al.	D23/203
5,439,180 A	8/1995	Baughman et al.	241/36
5,494,183 A	2/1996	Sharp	202/62.19
5,562,254 A	10/1996	Sleasman et al.	241/46.01
5,597,948 A	1/1997	Sharp	73/49.2
5,752,315 A	5/1998	Sleasman et al.	29/888
D397,763 S	9/1998	Sabo	D23/203
5,806,702 A	9/1998	Sabo	220/4.12
5,816,510 A	10/1998	Earle, III et al.	241/46.01
6,059,208 A	5/2000	Struthers	241/46.01
6,280,614 B1 *	8/2001	Berg et al.	210/170.08
6,305,410 B1	10/2001	Cook et al.	137/363
D492,000 S	6/2004	Festa et al.	D23/203
6,763,950 B2	7/2004	Graves	210/513
D529,573 S	10/2006	Daley et al.	D23/202

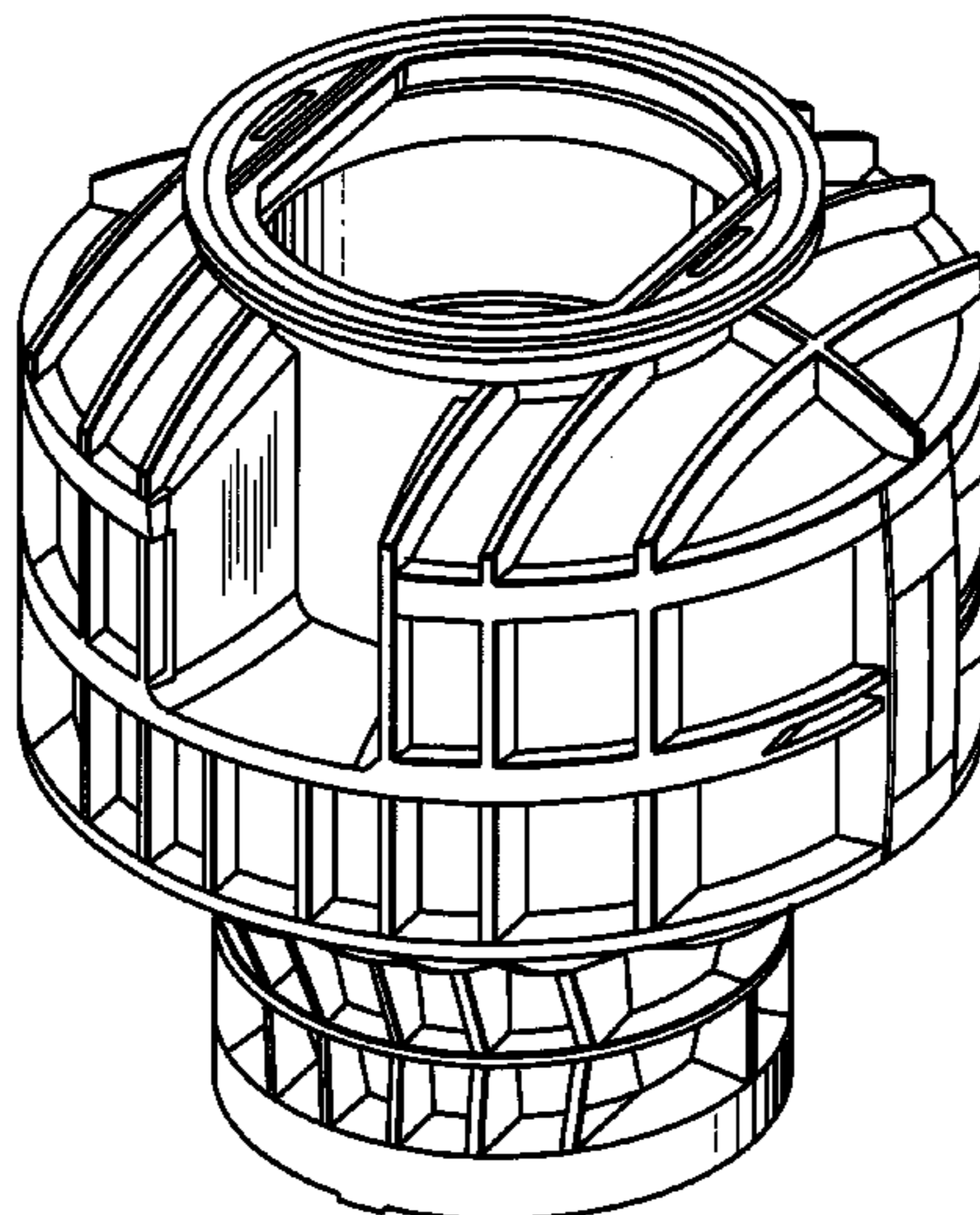
(57) **CLAIM**

The ornamental design for a sewage tank, as shown and
described.

DESCRIPTION

FIG. 1 is a perspective view of a sewage tank in accordance
with the new design;
FIG. 2 is a front elevational view thereof;
FIG. 3 is a right side elevational view thereof, a left side
elevational view being a mirror image thereof;
FIG. 4 is a rear elevational view thereof; and,
FIG. 5 is a top view thereof.

1 Claim, 5 Drawing Sheets



OTHER PUBLICATIONS

ZABEL® Environmental Technology. Catalog 2003. Step Systems Pressure Distribution (Distribution Valve Assembly) PDS-DV-6-6-6-AP. p. 121.

ZABEL® Environmental Technology. Catalog 2003. "Tankage System Polyethylene Basins (20" Diameter Basin)". p. 142.

ZABEL® Environmental Technology. Catalog 2003. "Effluent Filters Filter Packages A1800-4x22-VT-B35-FP." p. 172.
Daley et al., pending U.S. Appl. No. 29/249,115, filed Sep. 21, 2006, entitled "Sewage Tank Flange".

Daley et al., pending U.S. Appl. No. 29/249,183, filed Sep. 26, 2006, entitled "Sewage Tank".

* cited by examiner

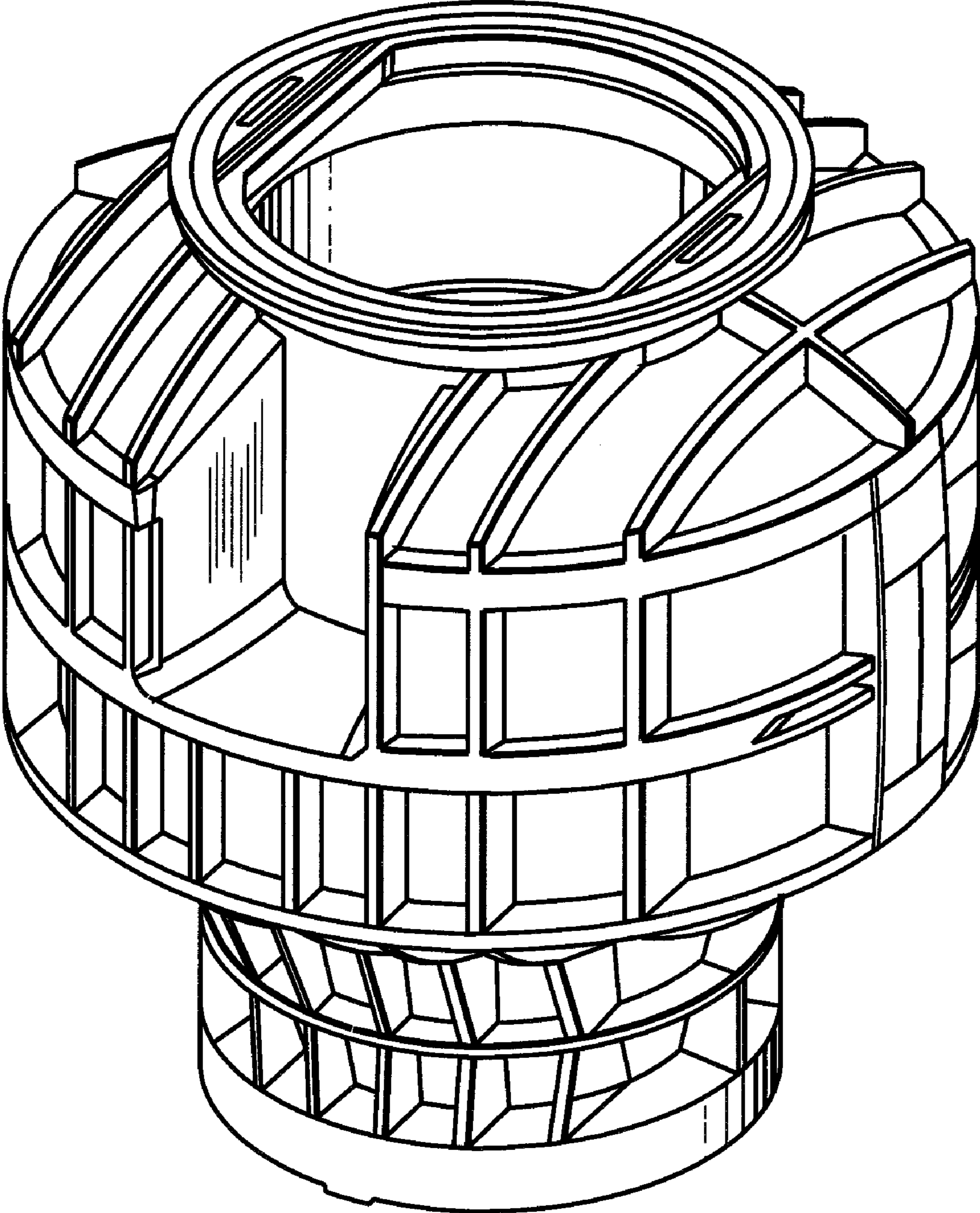


fig. 1

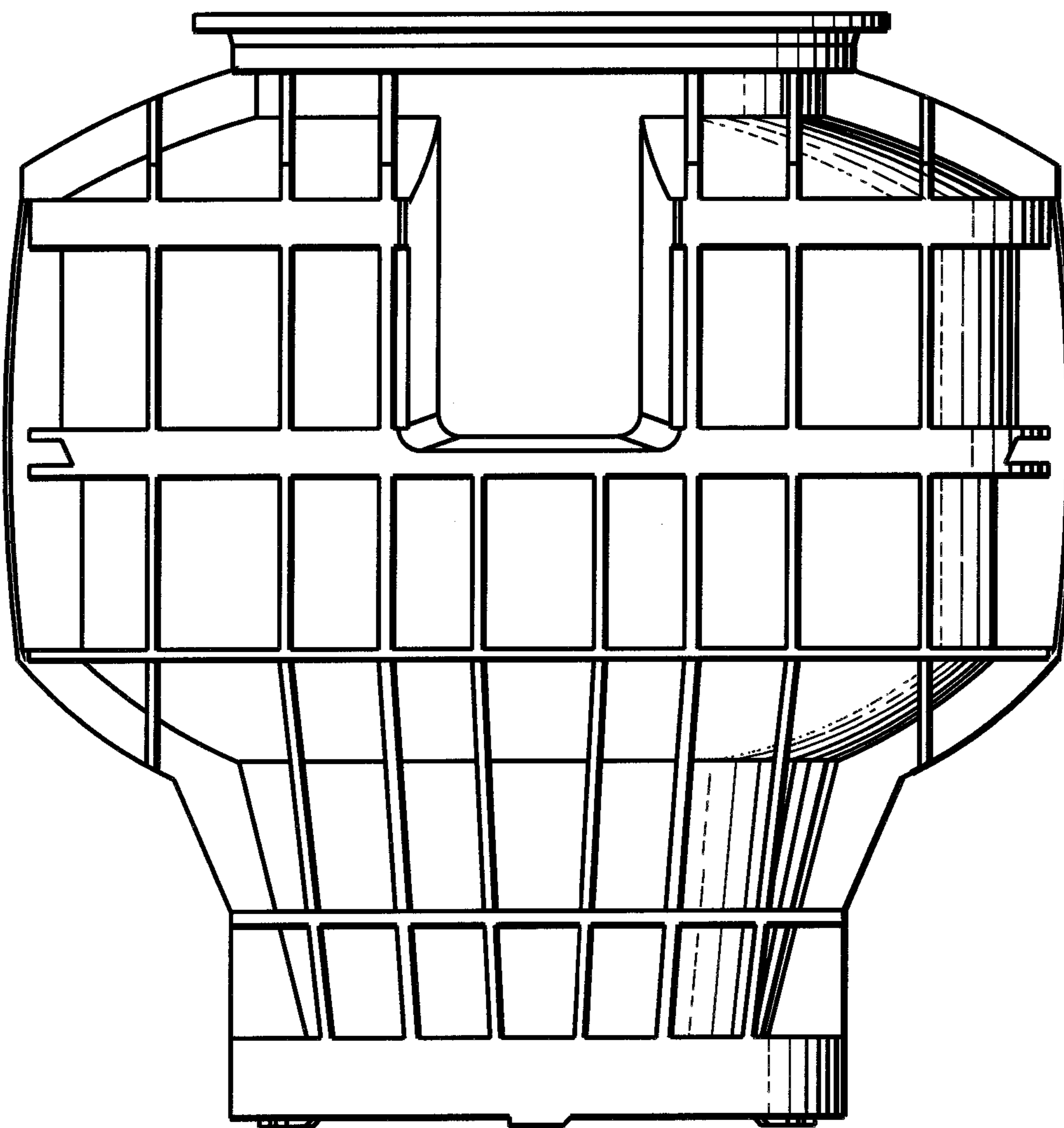


fig. 2

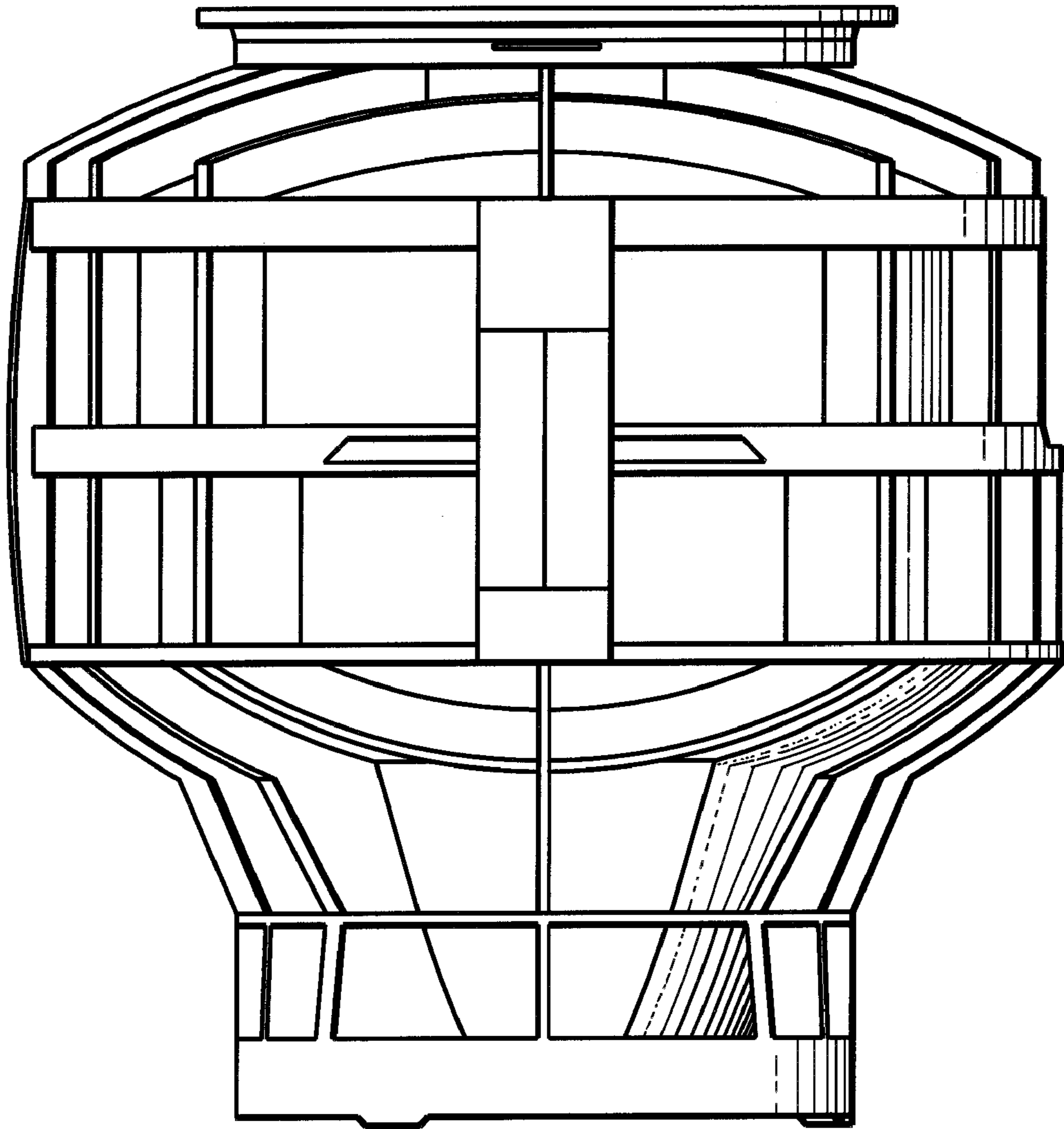


fig. 3

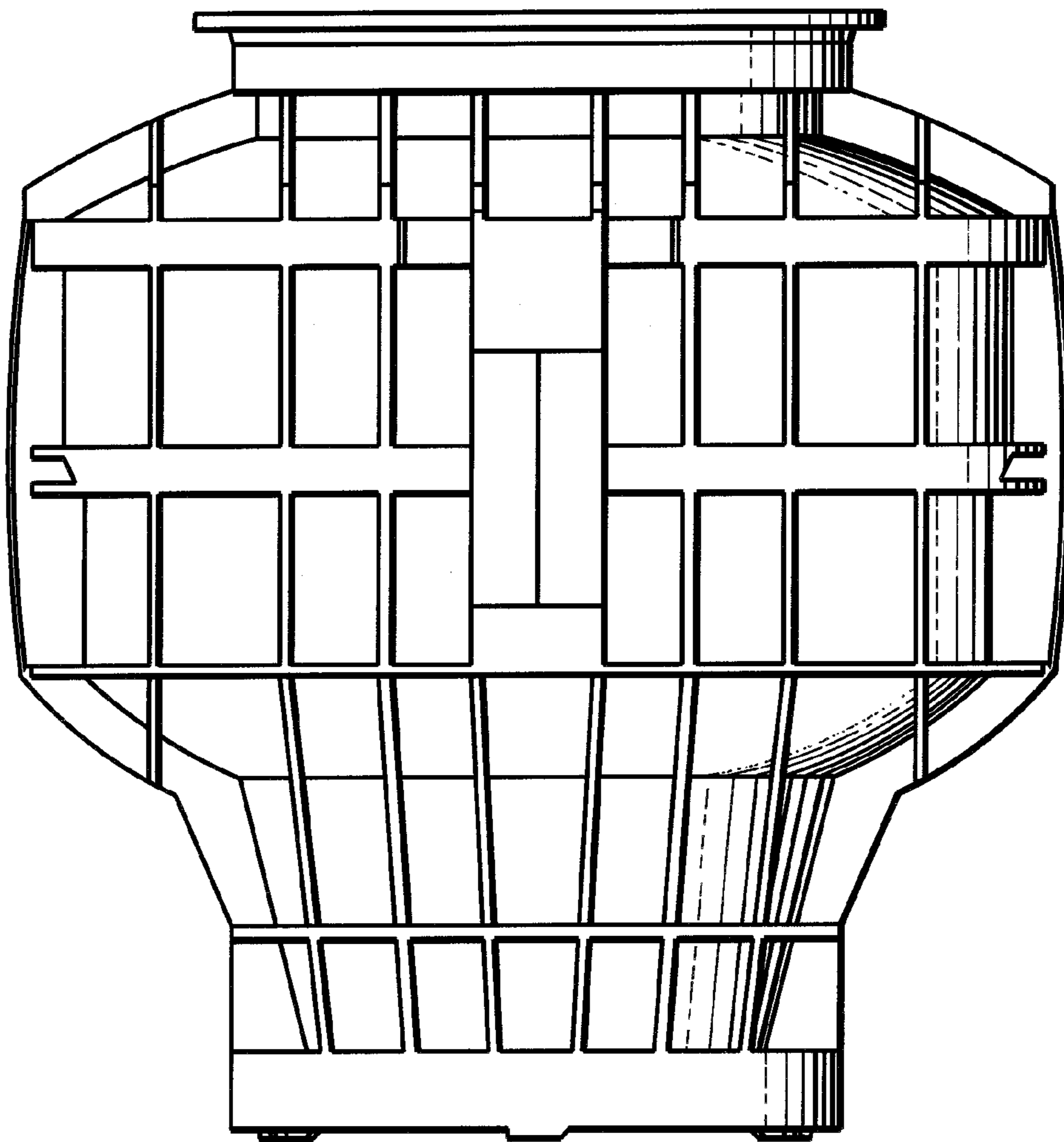


fig. 4

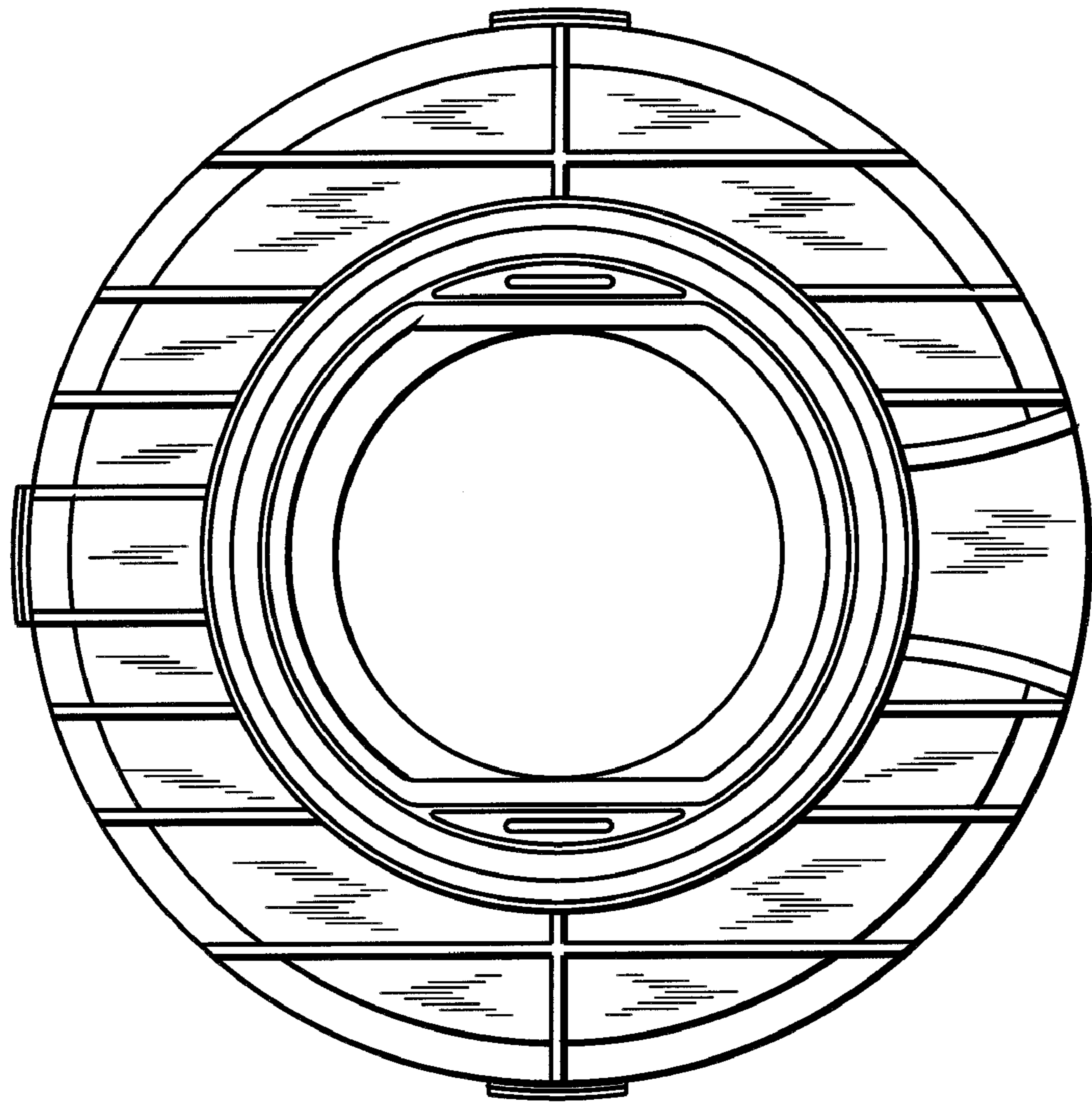


fig. 5