



US00D552702S

(12) **United States Design Patent**
Cameron

(10) **Patent No.:** **US D552,702 S**

(45) **Date of Patent:** **** Oct. 9, 2007**

(54) **PUTTER SOLE**

(75) **Inventor:** **Don T. Cameron**, Carlsbad, CA (US)

(73) **Assignee:** **Acushnet Company**, Fairhaven, MA (US)

(**) **Term:** **14 Years**

(21) **Appl. No.:** **29/267,137**

(22) **Filed:** **Oct. 5, 2006**

(51) **LOC (8) Cl.** **21-02**

(52) **U.S. Cl.** **D21/759**

(58) **Field of Classification Search** D21/736-746,
D21/759; 473/324-331, 340-341, 251-256
See application file for complete search history.

(56) **References Cited**

U.S. PATENT DOCUMENTS

D411,274 S 6/1999 Renegar

D435,616 S * 12/2000 Glod D21/759

OTHER PUBLICATIONS

MacGregor Tourney Utility Irons, p. 6, 1952 Professional.

* cited by examiner

Primary Examiner—Mitchell Siegel

(57) **CLAIM**

The ornamental design for a putter sole, as shown and described.

DESCRIPTION

FIG. 1 is a perspective view of my new putter sole design;

FIG. 2 is a bottom view thereof;

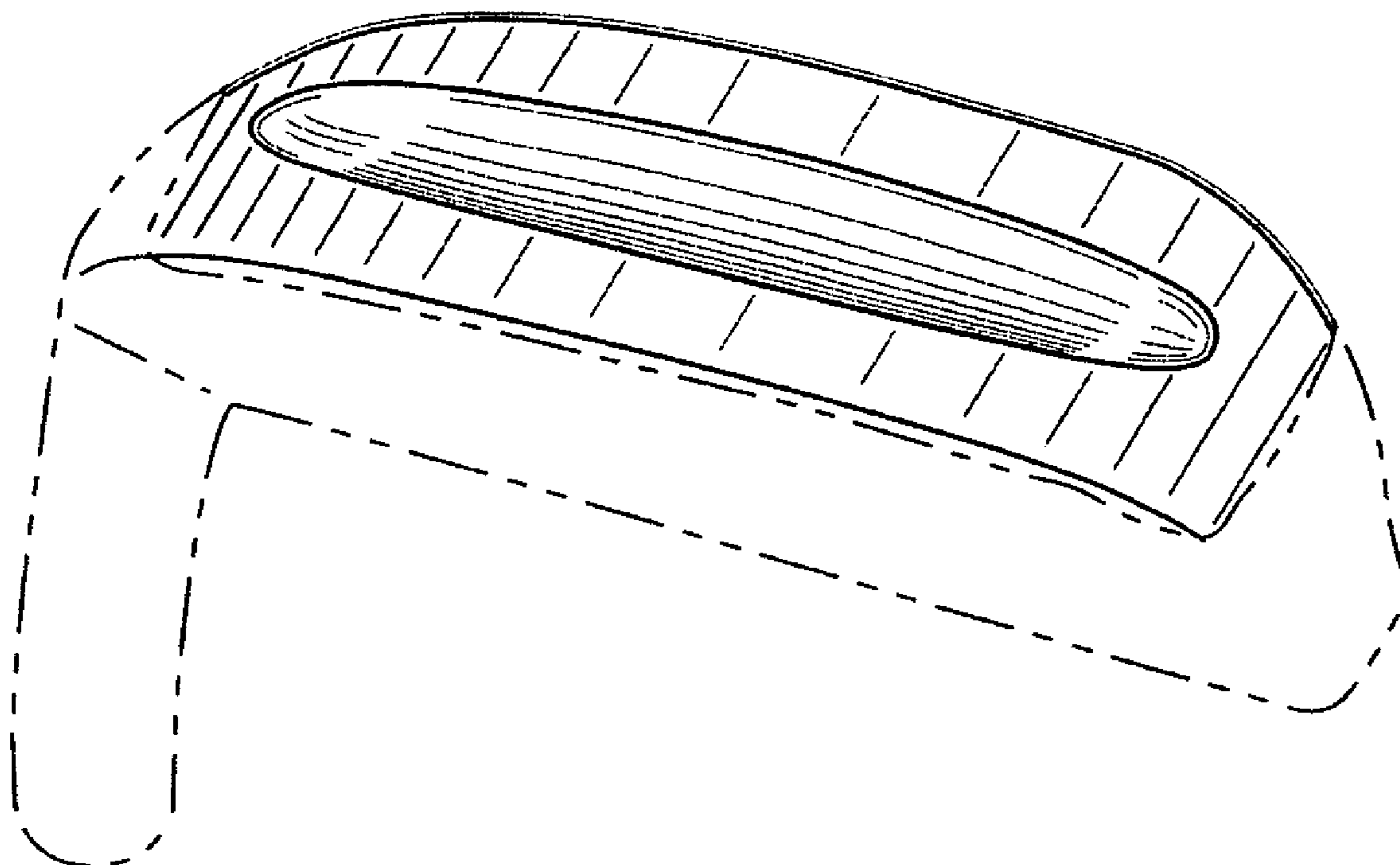
FIG. 3 is a heel side view thereof;

FIG. 4 is a back view thereof; and,

FIG. 5 is a toe side view thereof.

The portion of the putter head shown in phantom is for illustration purposes only and does not form any portion of the claimed design.

1 Claim, 2 Drawing Sheets



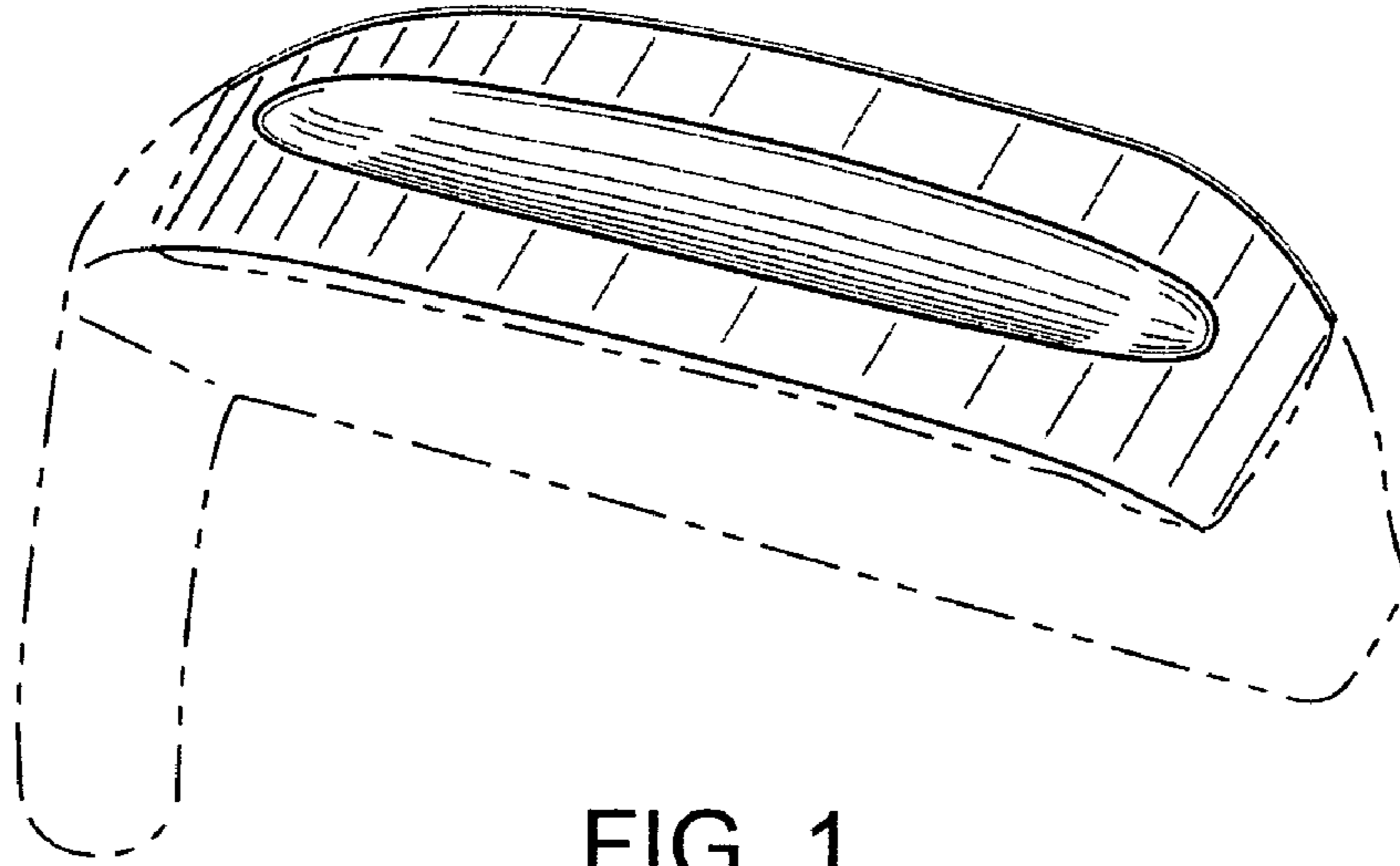


FIG. 1

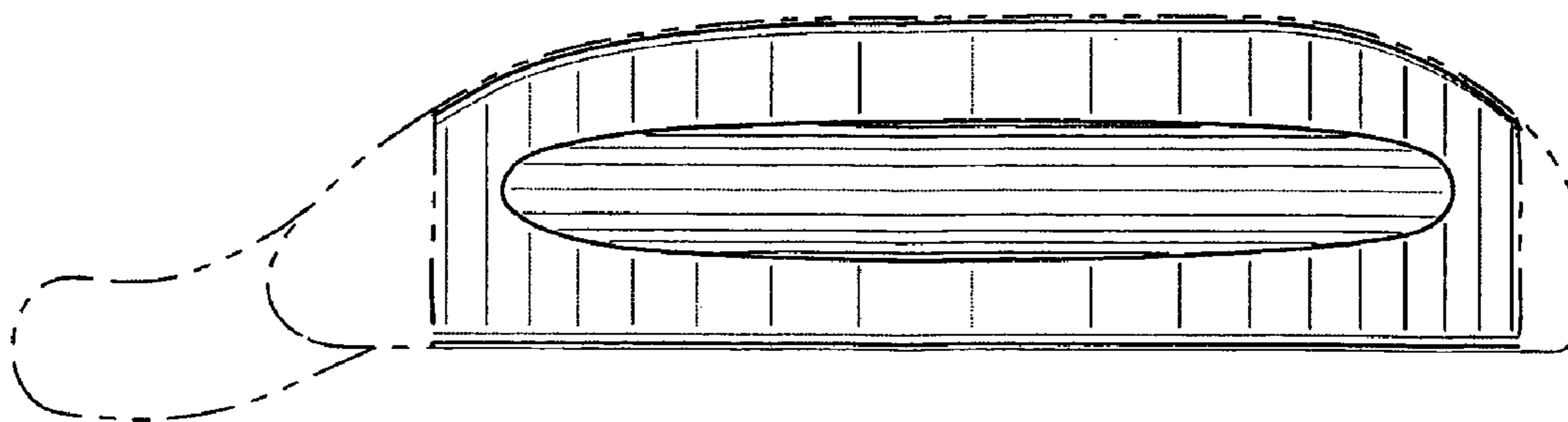


FIG. 2

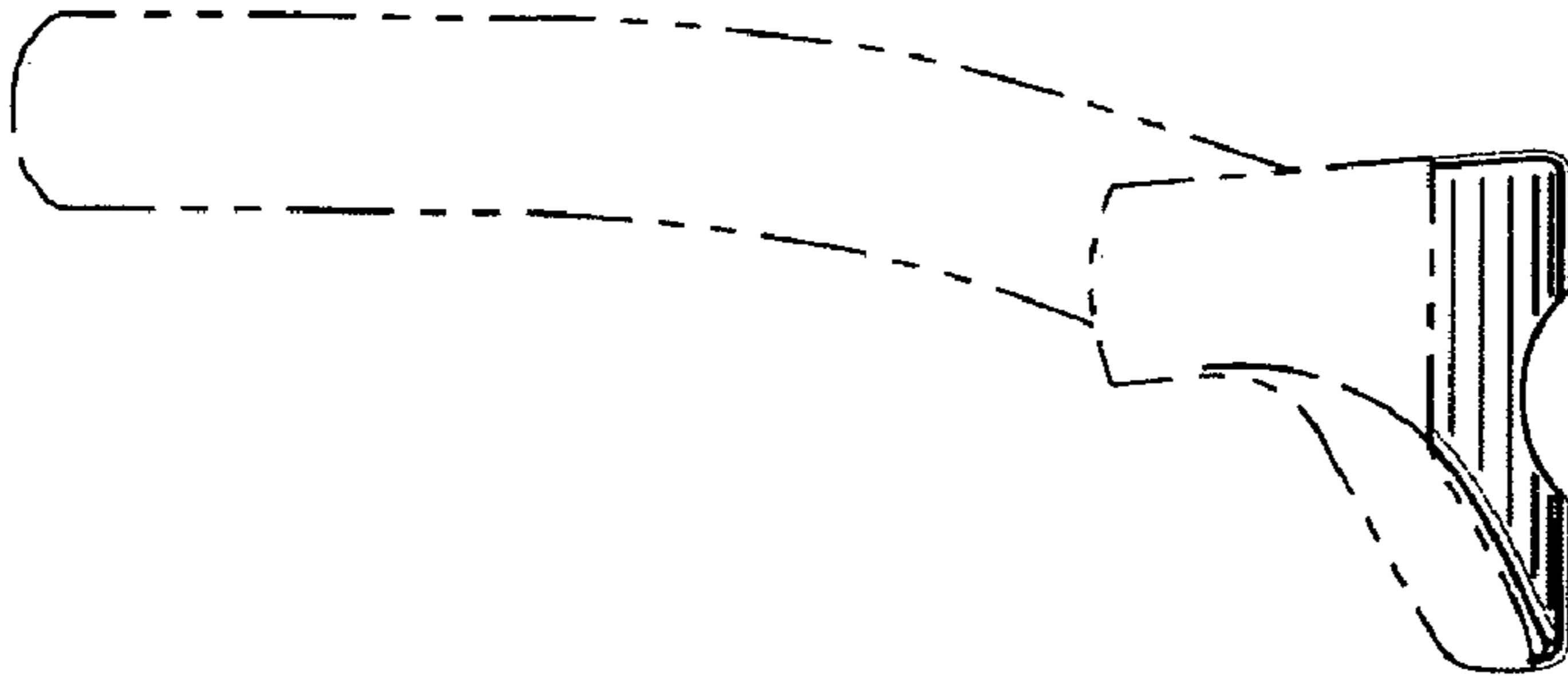


FIG. 5

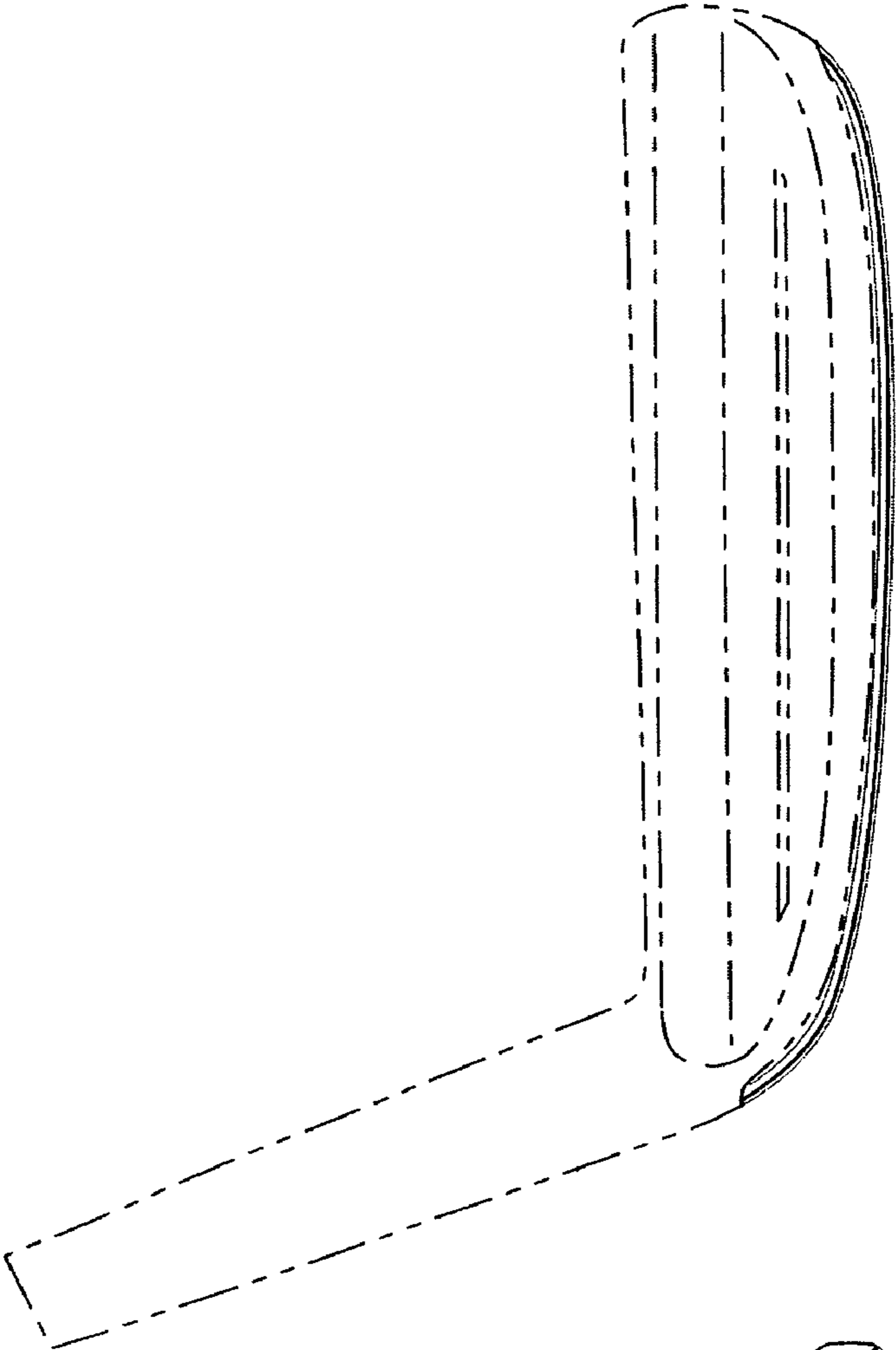


FIG. 4



FIG. 3