



US00D552692S

(12) **United States Design Patent**
Stern et al.

(10) **Patent No.:** **US D552,692 S**

(45) **Date of Patent:** **** Oct. 9, 2007**

(54) **TOY VEHICLE**

5,879,221 A * 3/1999 Barton et al. 446/427
D421,073 S * 2/2000 Wei D21/552

(75) Inventors: **Scott D. Stern**, Mequon, WI (US);
Wayde C. Carberry, Milwaukee, WI
(US); **John J. Bender**, Belgium, WI
(US)

* cited by examiner

Primary Examiner—Holly H. Baynham

Assistant Examiner—Cynthia M. Chin

(73) Assignee: **Norscot Group, Inc.**, Mequon, WI
(US)

(74) *Attorney, Agent, or Firm*—Foley & Lardner LLP

(**) Term: **14 Years**

(57) **CLAIM**

(21) Appl. No.: **29/266,074**

We claim the ornamental design for a toy vehicle, as shown and described.

(22) Filed: **Sep. 14, 2006**

DESCRIPTION

(51) **LOC (8) Cl.** **21-01**

FIG. 1 is a front perspective view of the toy vehicle showing our new design;

(52) **U.S. Cl.** **D21/554**

FIG. 2 is an overhead plan view thereof;

(58) **Field of Classification Search** D21/533,

FIG. 3 is an underside plan view thereof;

D21/537, 548, 552–554, 556, 559, 562; 446/424,
446/425–428; D15/23–26

FIG. 4 is a side elevation view thereof;

See application file for complete search history.

FIG. 5 is an opposite side elevation view thereof;

(56) **References Cited**

FIG. 6 is a front elevation view thereof;

U.S. PATENT DOCUMENTS

FIG. 7 is a rear elevation view thereof; and,

2,385,965 A * 10/1945 Biby 446/425

FIG. 8 is an enlarged partial plan view of the textured surface of the toy vehicle shown in FIGS. 1, 2, 6 and 7.

2,586,239 A * 2/1952 Mackenzie 446/427

The ornamental design which is claimed is shown in solid lines in the drawings. The broken lines in the drawings are for illustrative purposes only and form no part of the claimed design.

3,874,111 A * 4/1975 Pauly et al. 446/425

D250,725 S * 1/1979 Breneman D21/537

4,170,083 A * 10/1979 Frelander et al. 446/95

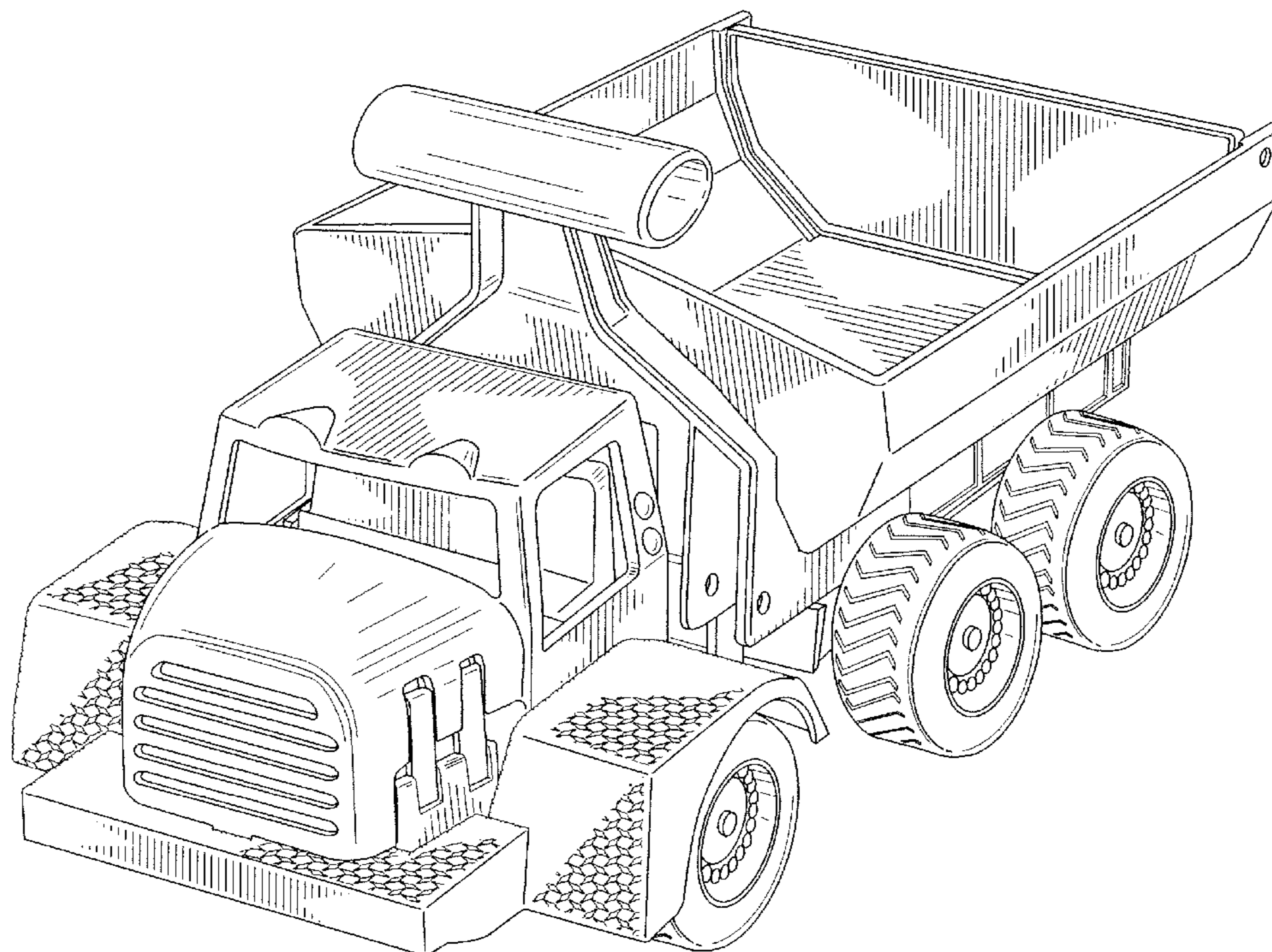
D261,787 S * 11/1981 Breneman D21/537

D289,187 S * 4/1987 Ohno D21/580

D312,108 S * 11/1990 Weiland D21/562

D401,292 S * 11/1998 Park D21/537

1 Claim, 7 Drawing Sheets



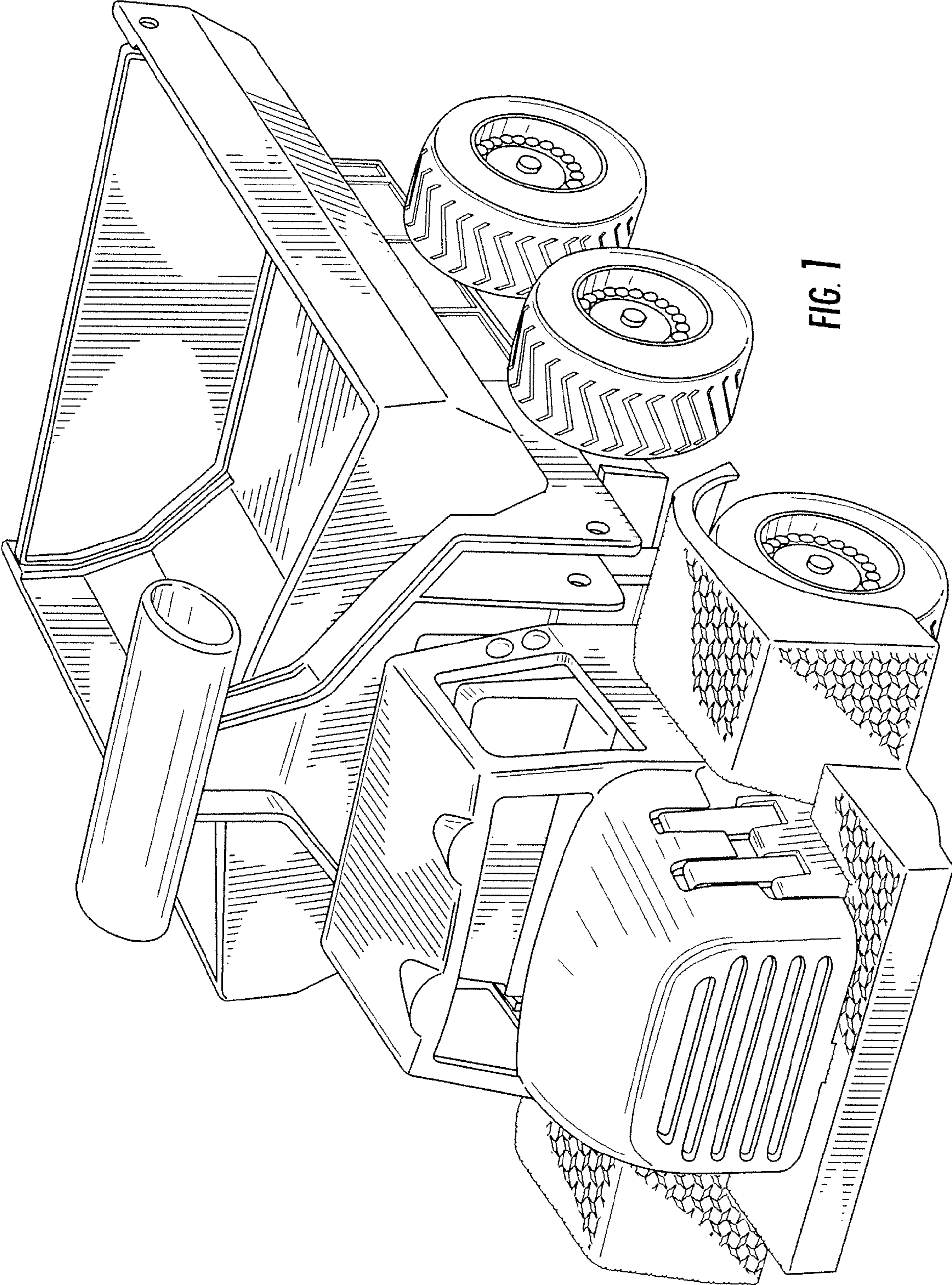


FIG. 1

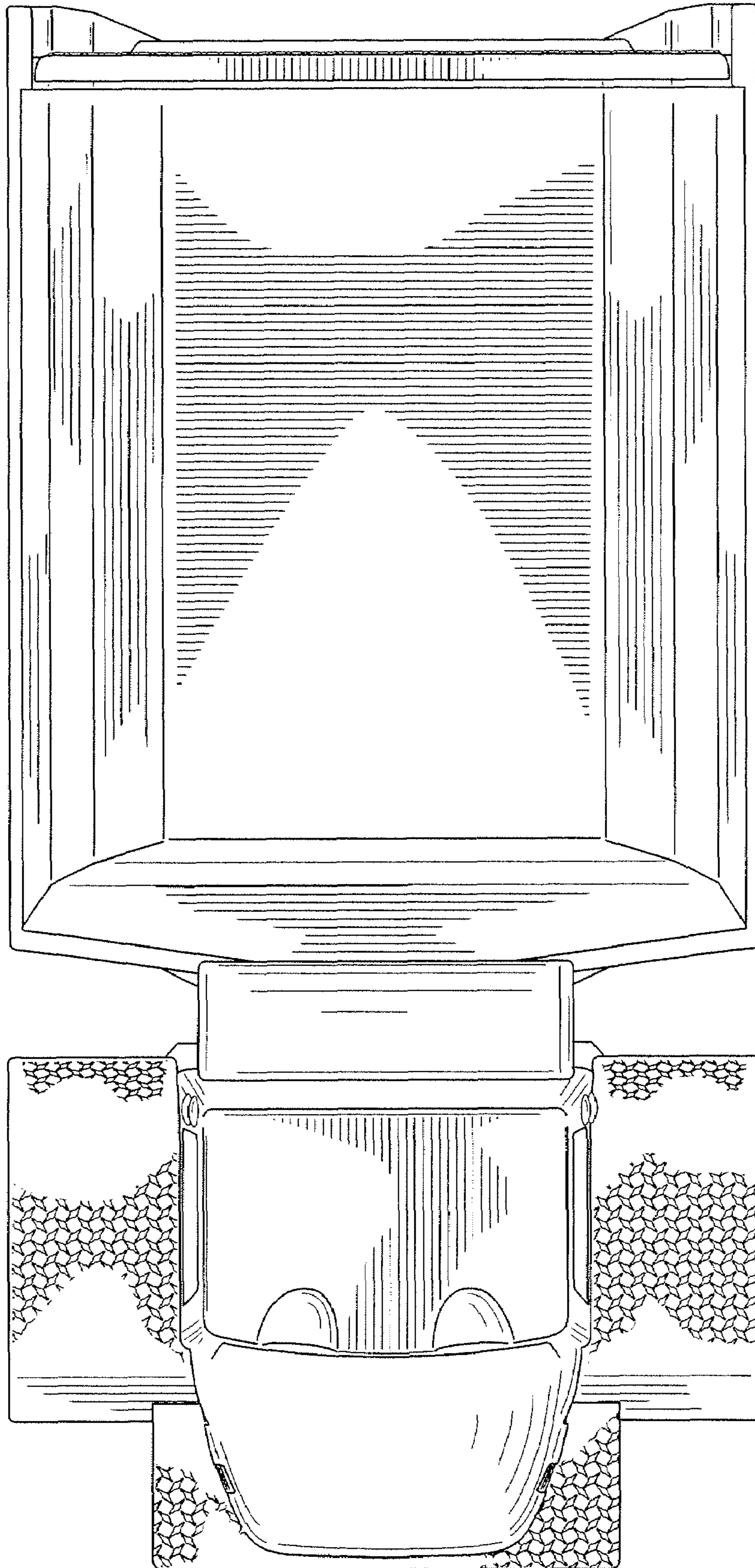


FIG. 2

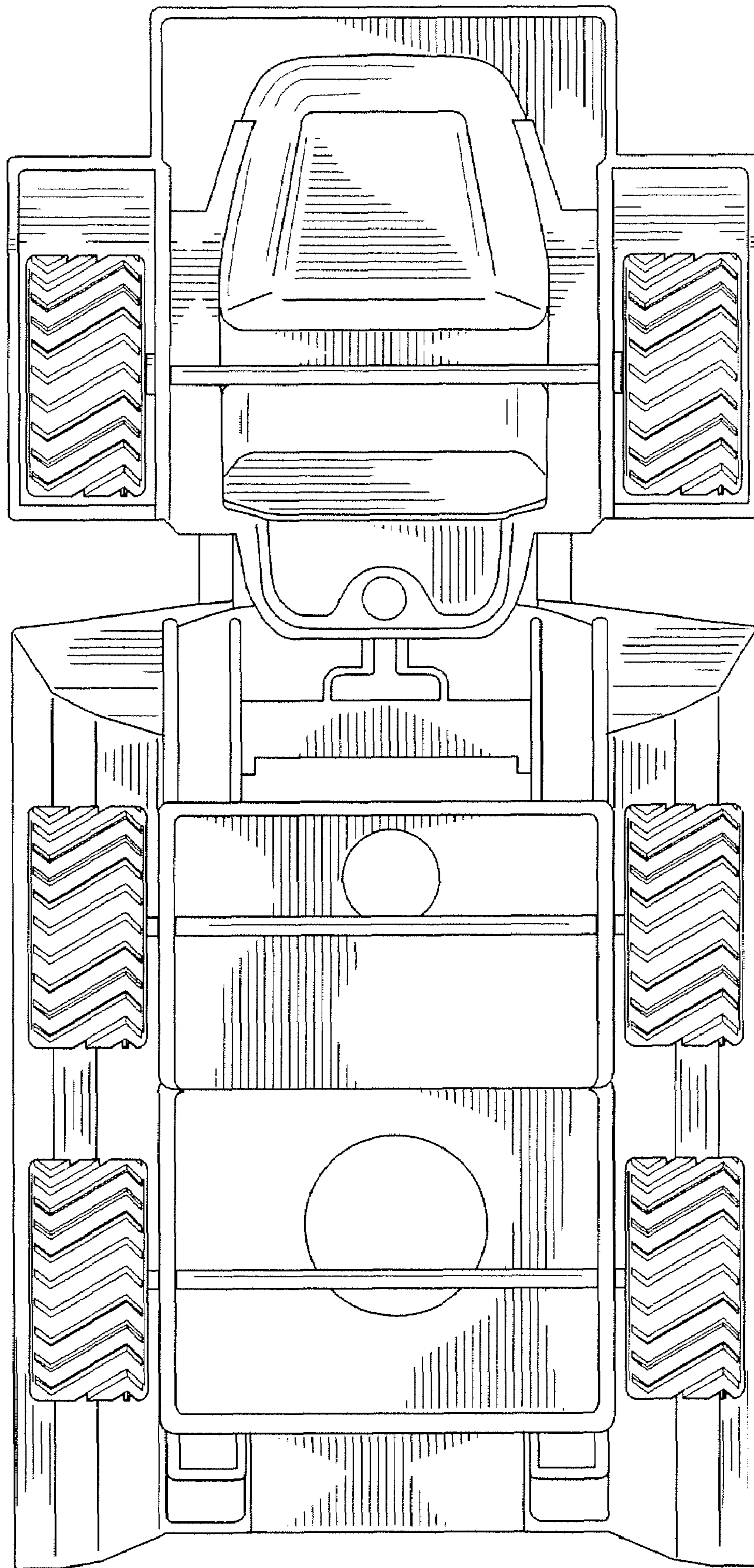


FIG. 3

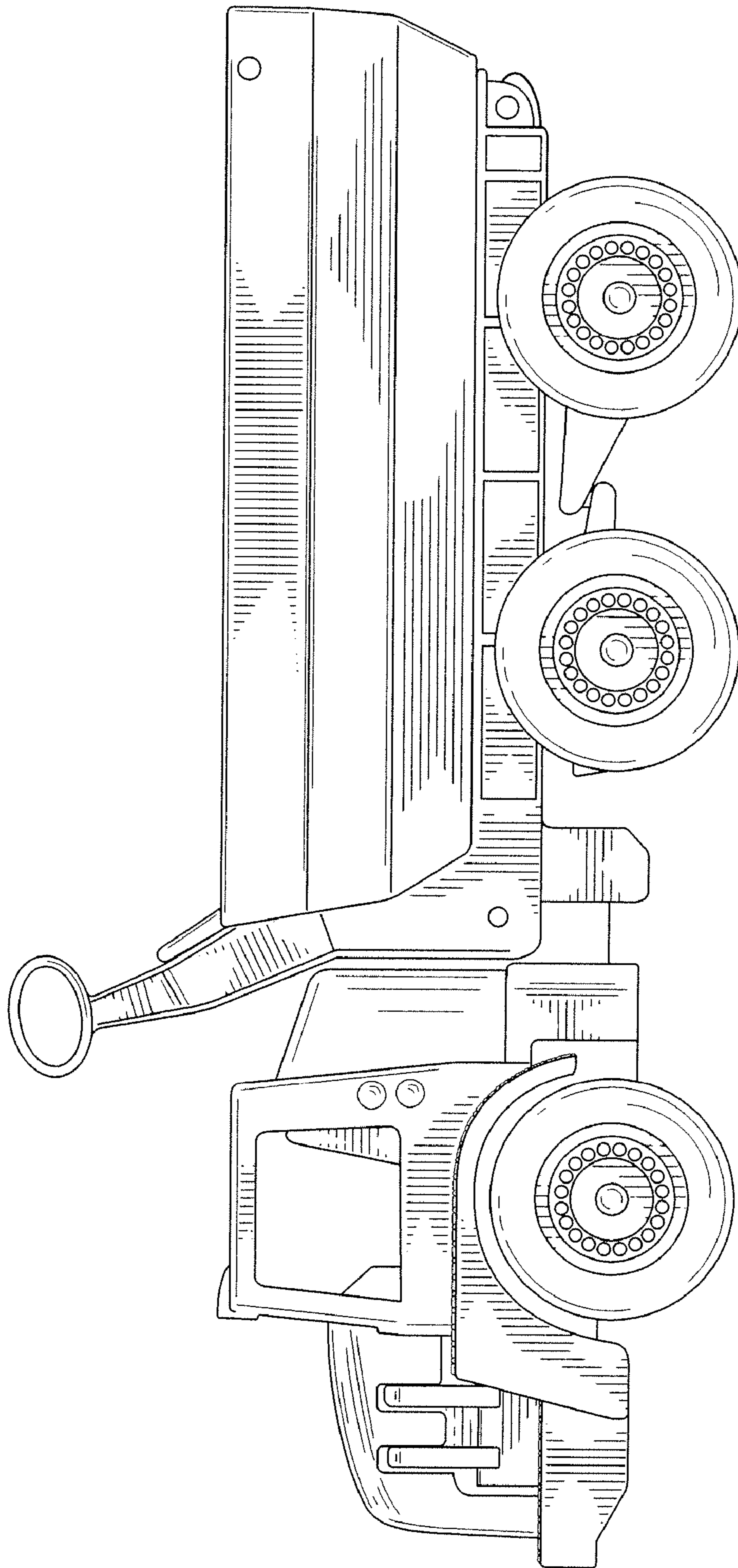


FIG. 4

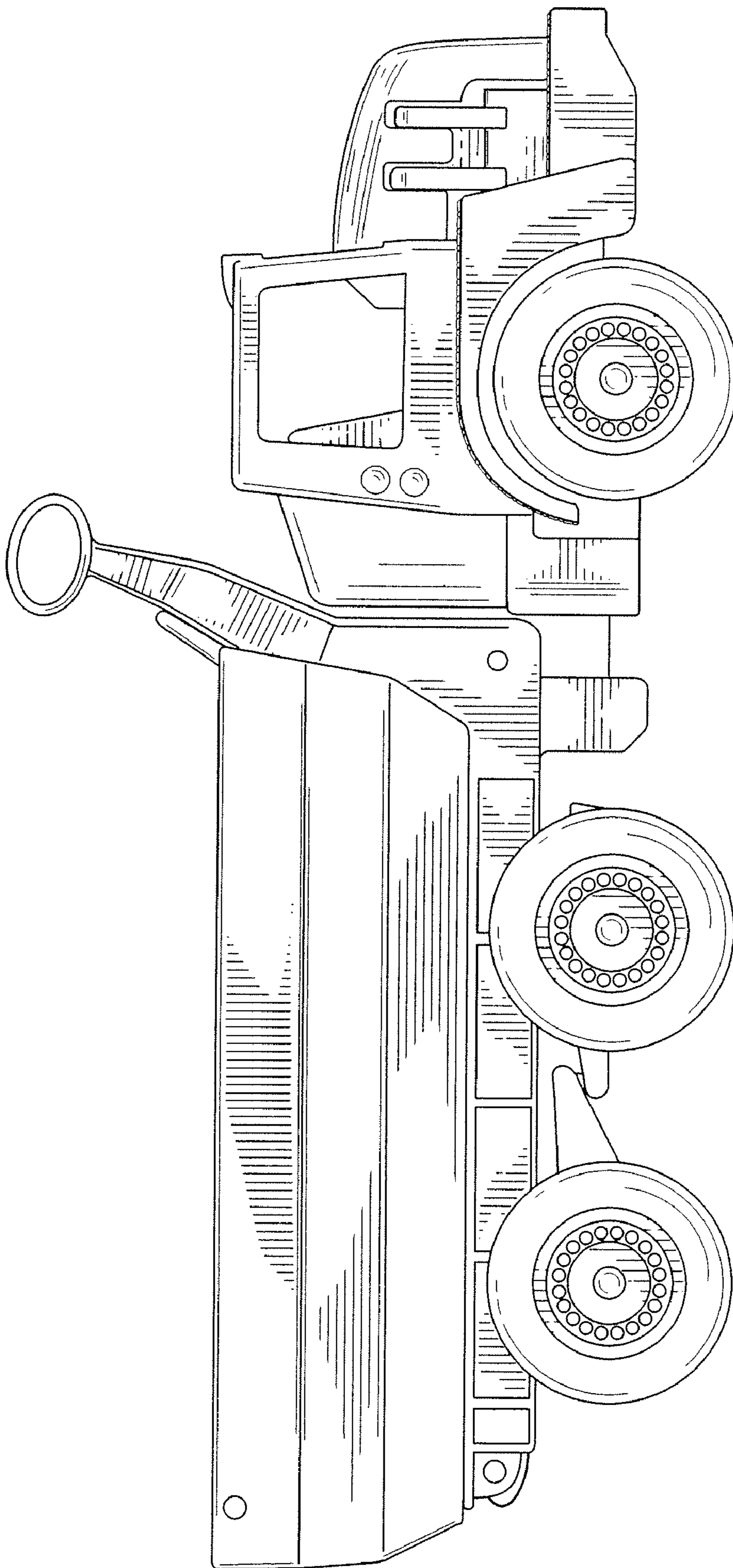


FIG. 5

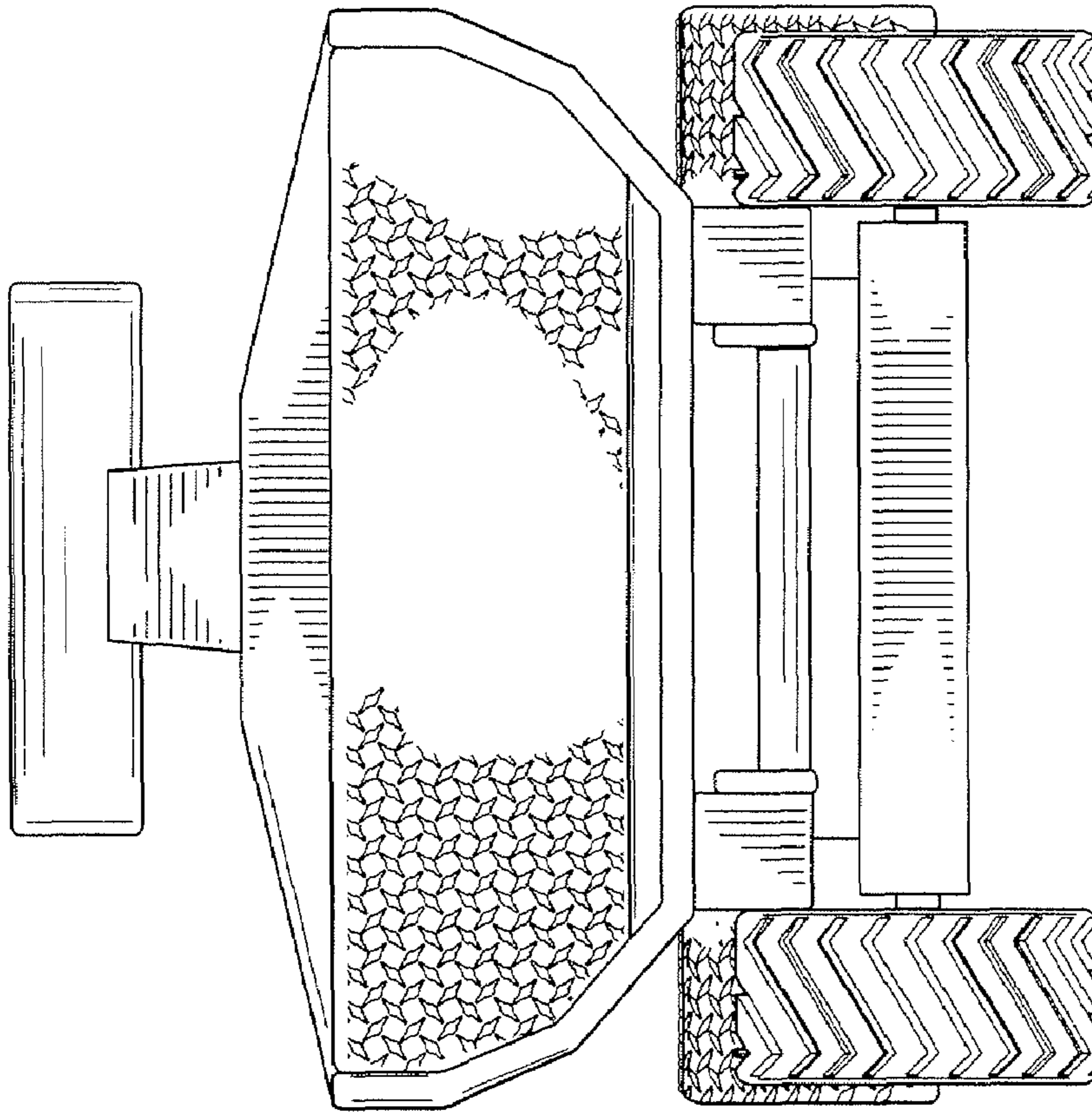


FIG. 7

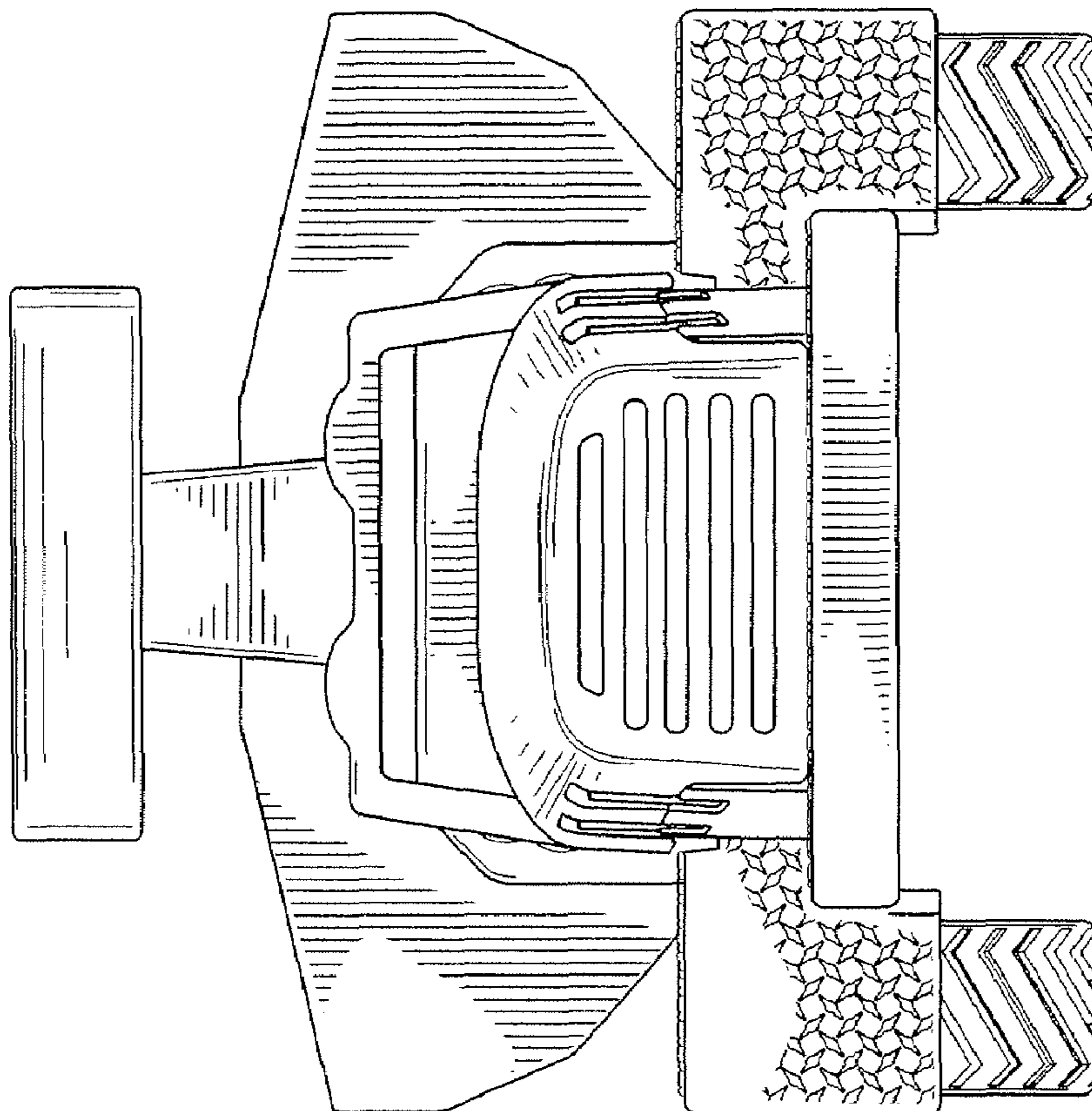


FIG. 6

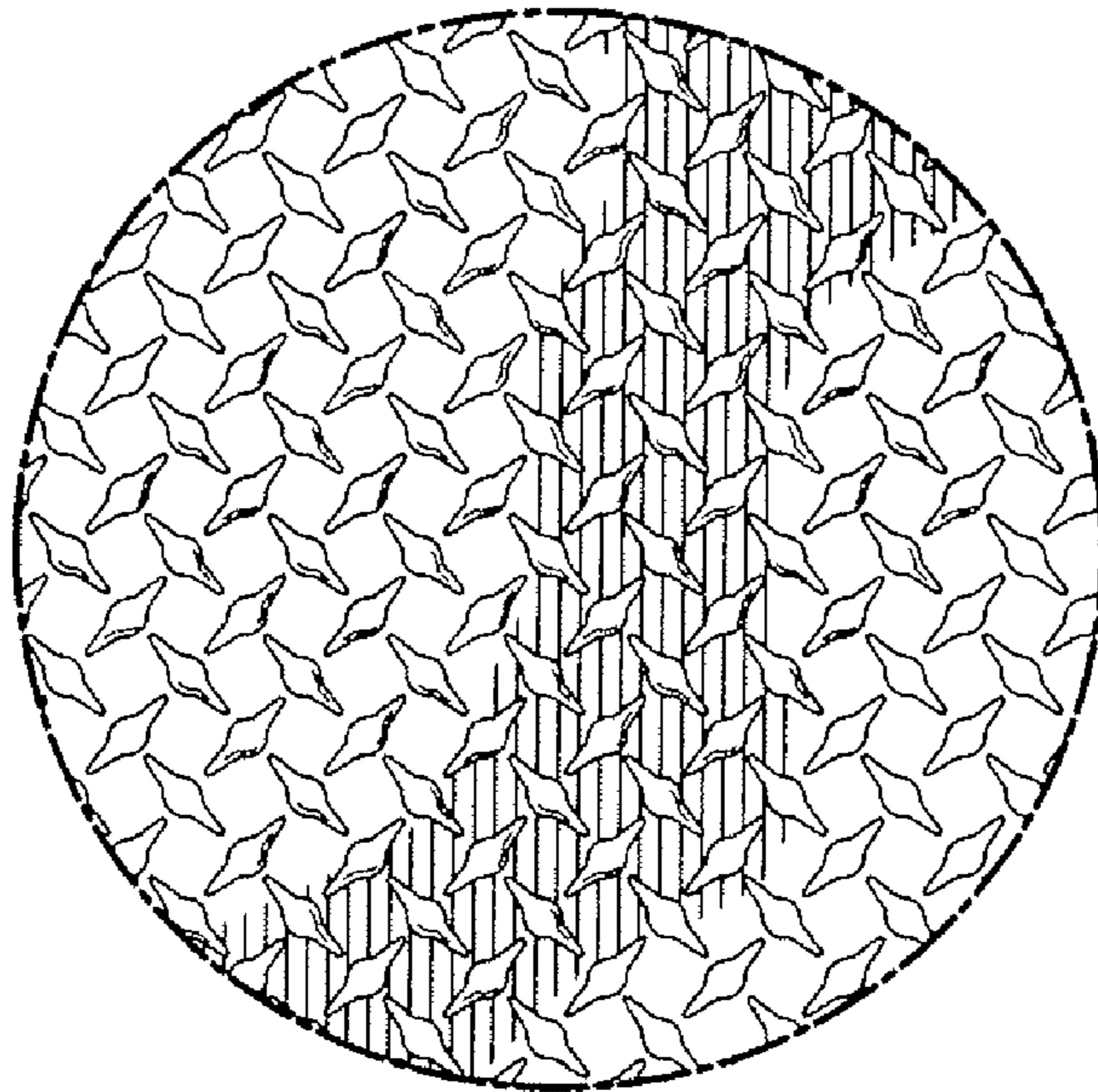


FIG. 8