



US00D552691S

(12) **United States Design Patent**  
**Tak**

(10) **Patent No.:** **US D552,691 S**

(45) **Date of Patent:** **\*\* Oct. 9, 2007**

(54) **JIGSAW PUZZLE PEG**

(75) Inventor: **Yeung Kai Tak**, Hong Kong (CN)

(73) Assignee: **First Learning Company Limited**,  
Kowloon (HK)

(\*\*) Term: **14 Years**

(21) Appl. No.: **29/257,337**

(22) Filed: **Apr. 3, 2006**

(51) **LOC (8) Cl.** ..... **21-01**

(52) **U.S. Cl.** ..... **D21/480; D8/382; D8/DIG. 2**

(58) **Field of Classification Search** ..... D21/385,  
D21/386, 468, 470, 478–480, 484, 487, 488,  
D21/50; D8/300–322, 349, 355, 382–399,  
D8/DIG. 1, DIG. 2; D11/213, 214, 220,  
D11/222, 226, 227; 16/110.1, 422, 425,  
16/2.1; 273/236–291, 153 R, 156, 157 R,  
273/160, 153 J; 434/128, 150, 159–161,  
434/171–172, 193, 195, 200, 208, 259, 393,  
434/406; 24/106–108, 104, 297, 114.05,  
24/114.4, 453, 457, 458; 411/508–511, 913  
See application file for complete search history.

(56) **References Cited**

**U.S. PATENT DOCUMENTS**

|           |     |         |                  |       |           |
|-----------|-----|---------|------------------|-------|-----------|
| 1,431,674 | A * | 10/1922 | MacGill, Jr.     | ..... | 411/338   |
| 2,745,620 | A * | 5/1956  | Murphy           | ..... | 248/239   |
| D209,171  | S * | 11/1967 | Myatt            | ..... | D8/394    |
| 3,406,431 | A * | 10/1968 | Armstrong et al. | ..... | 24/607    |
| 3,744,101 | A * | 7/1973  | Gley             | ..... | 24/453    |
| 3,803,670 | A * | 4/1974  | Johnson          | ..... | 411/508   |
| 4,205,850 | A * | 6/1980  | Craig            | ..... | 273/157 R |
| 4,218,599 | A * | 8/1980  | Garn             | ..... | 200/530   |
| D291,864  | S * | 9/1987  | Hill             | ..... | D8/354    |

|              |      |         |                |       |            |
|--------------|------|---------|----------------|-------|------------|
| D292,263     | S *  | 10/1987 | Hill           | ..... | D8/354     |
| 4,768,704    | A *  | 9/1988  | Beckway et al. | ..... | 229/125.38 |
| 5,940,942    | A *  | 8/1999  | Fong           | ..... | 24/459     |
| 2007/0085269 | A1 * | 4/2007  | Martin et al.  | ..... | 273/157 R  |

\* cited by examiner

*Primary Examiner*—Catherine Tuttle

(74) *Attorney, Agent, or Firm*—Jennifer Meredith; Meredith & Keyhani, PLLC

(57) **CLAIM**

The ornamental design for the jigsaw puzzle peg, as shown and described.

**DESCRIPTION**

FIG. 1 is an exploded top perspective view of the jigsaw puzzle peg showing my new design;

FIG. 2 is an exploded bottom perspective view thereof;

FIG. 3 is an exploded side elevational view thereof;

FIG. 4 is an exploded side elevational view rotated 90° from FIG. 3;

FIG. 5 is a bottom plan view of each of the separated parts shown in FIGS. 1–4;

FIG. 6 is a top plan view of FIG. 5;

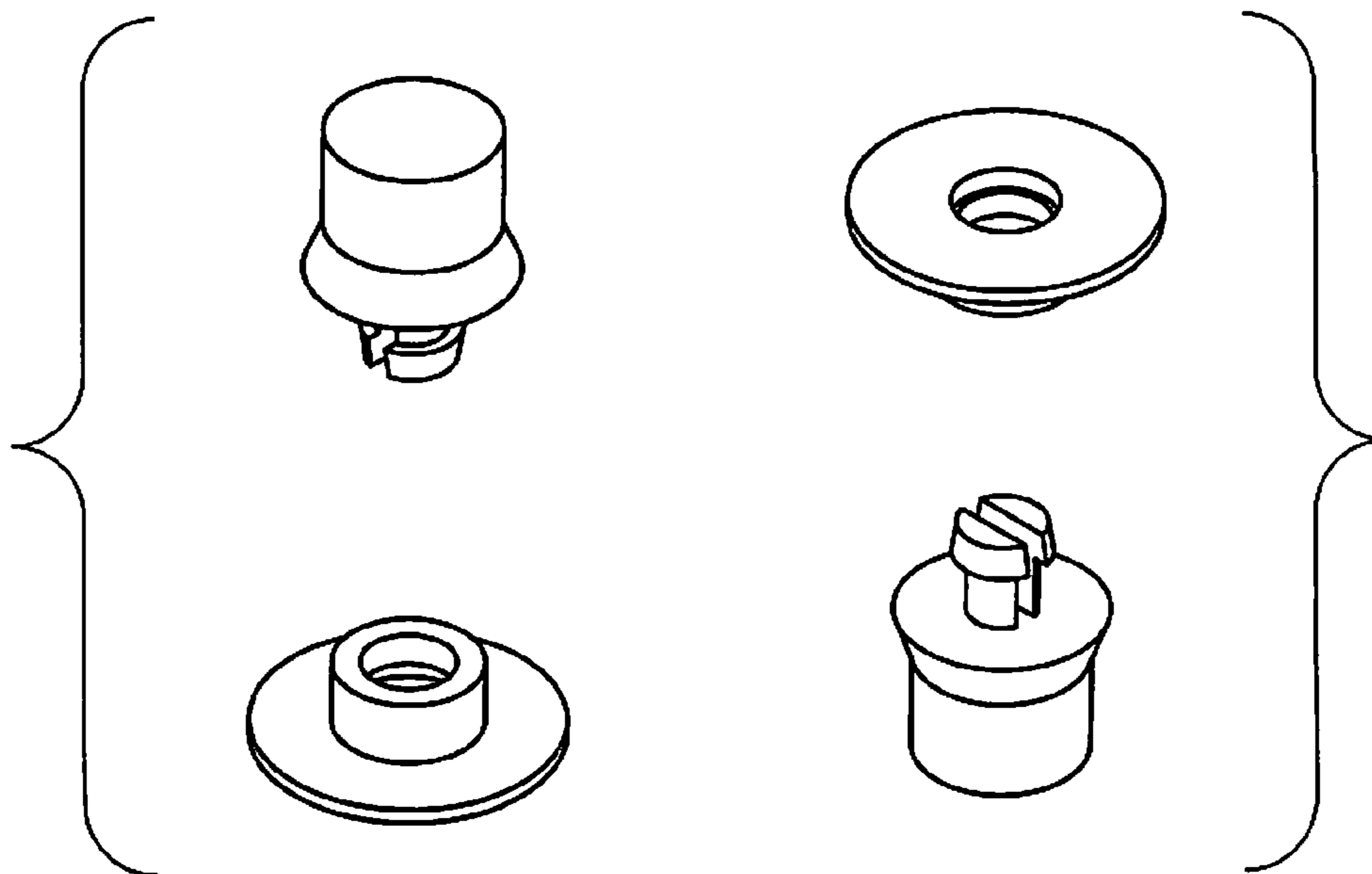
FIG. 7 is a side elevational view showing the design assembled and attached to a jigsaw puzzle piece;

FIG. 8 is a top plan view of FIG. 7; and,

FIG. 9 is a bottom plan view thereof.

The broken line showing of the puzzle piece is included for the purpose of illustrating environmental structure and forms no part of the claimed design.

**1 Claim, 4 Drawing Sheets**



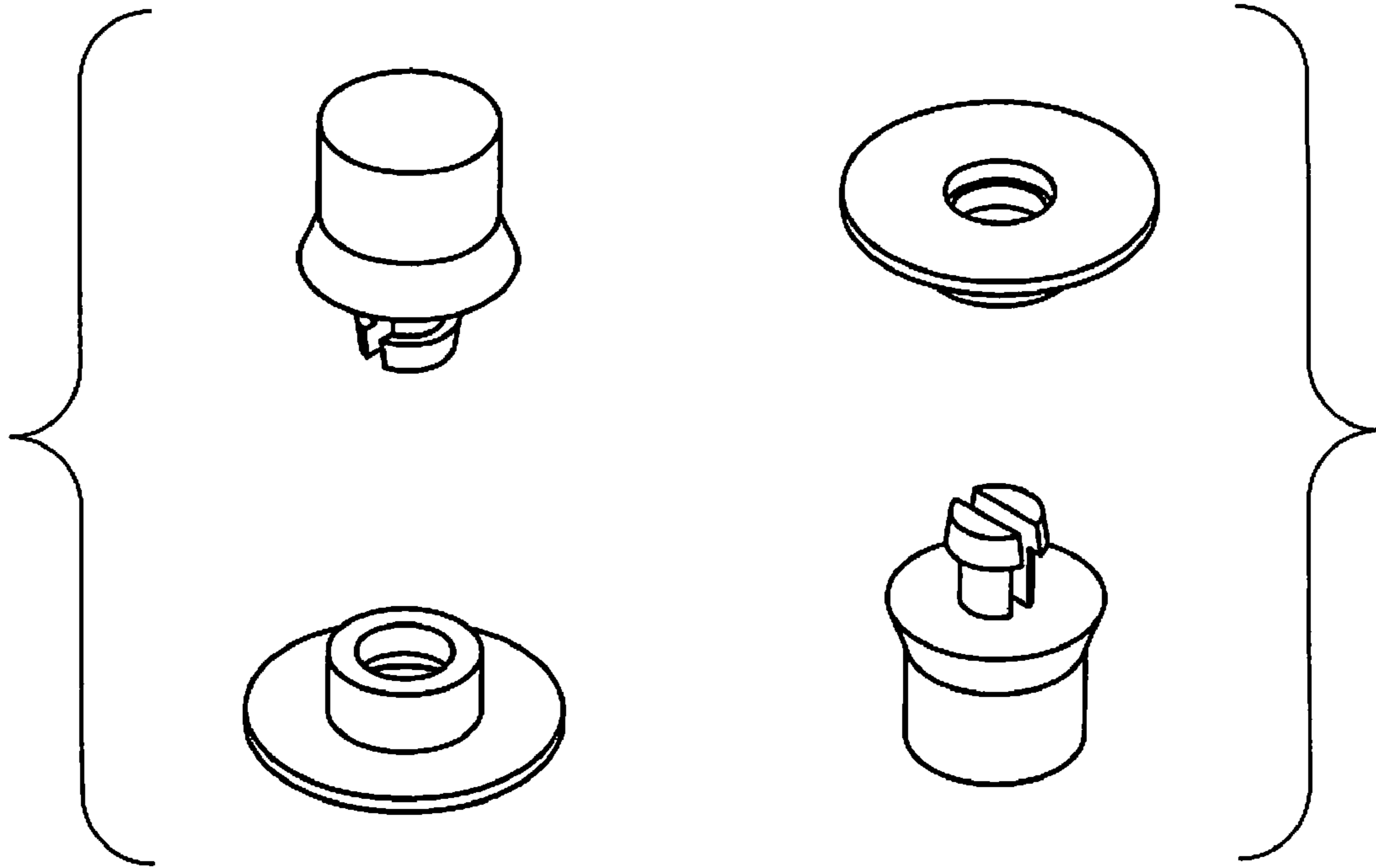


FIG. 1

FIG. 2

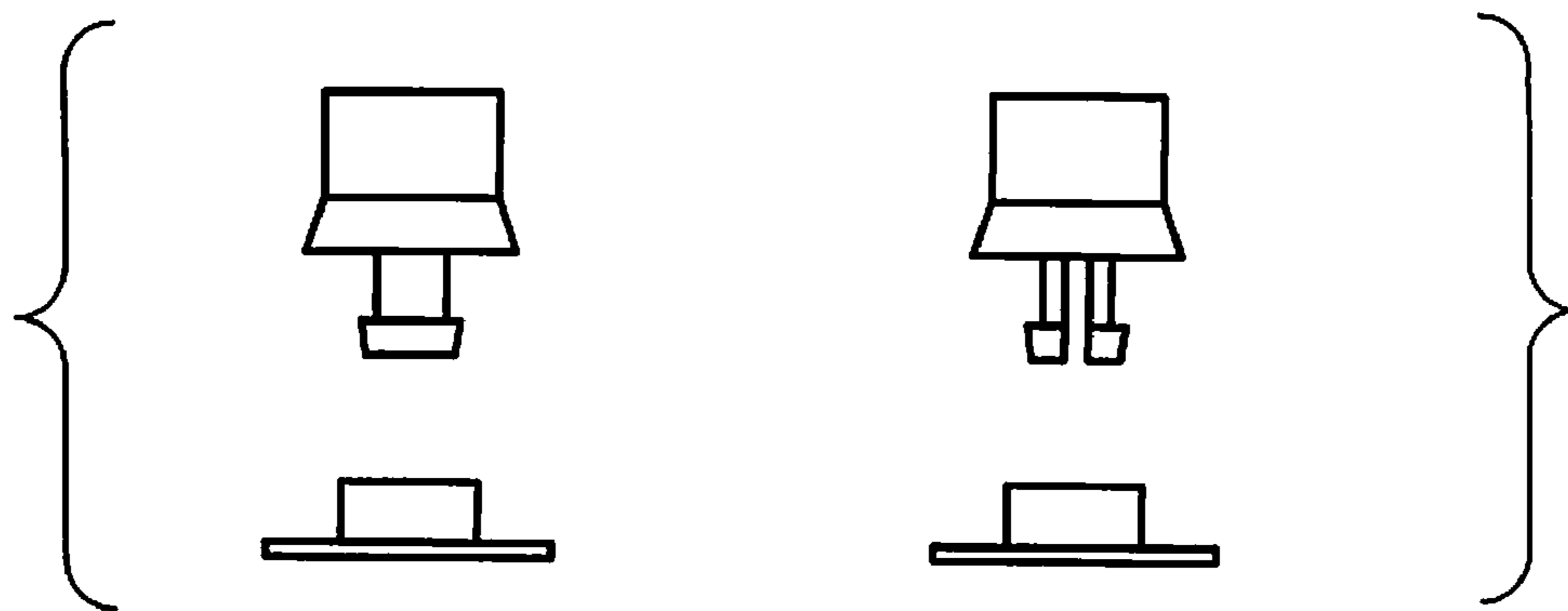


FIG. 3

FIG. 4

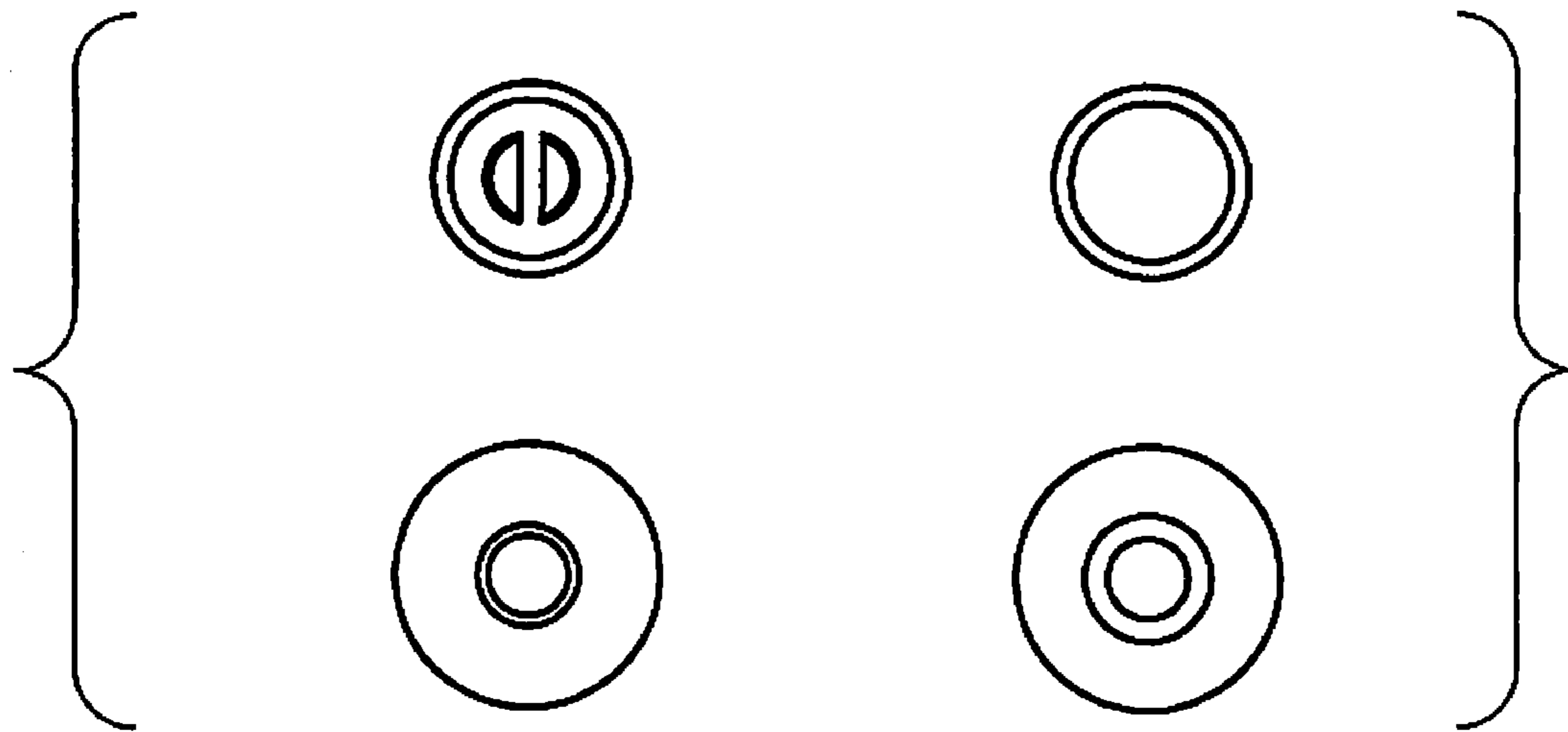


FIG. 5

FIG. 6

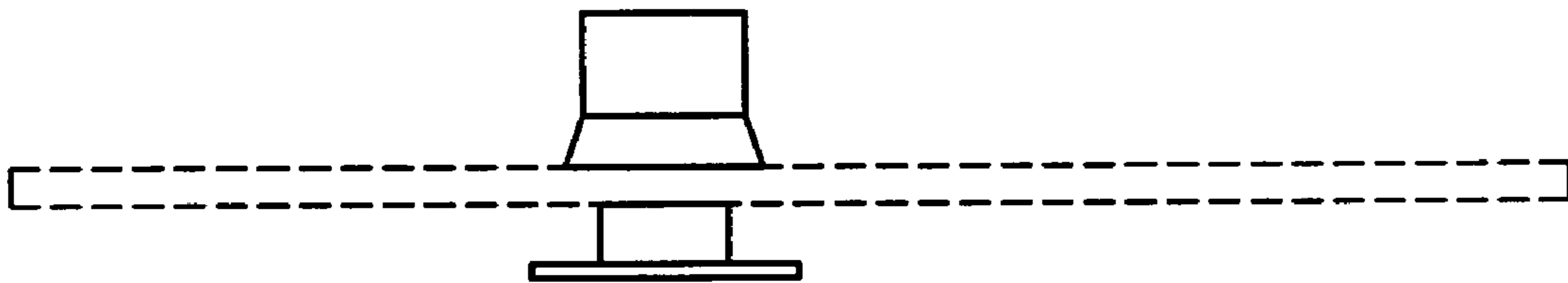


FIG. 7

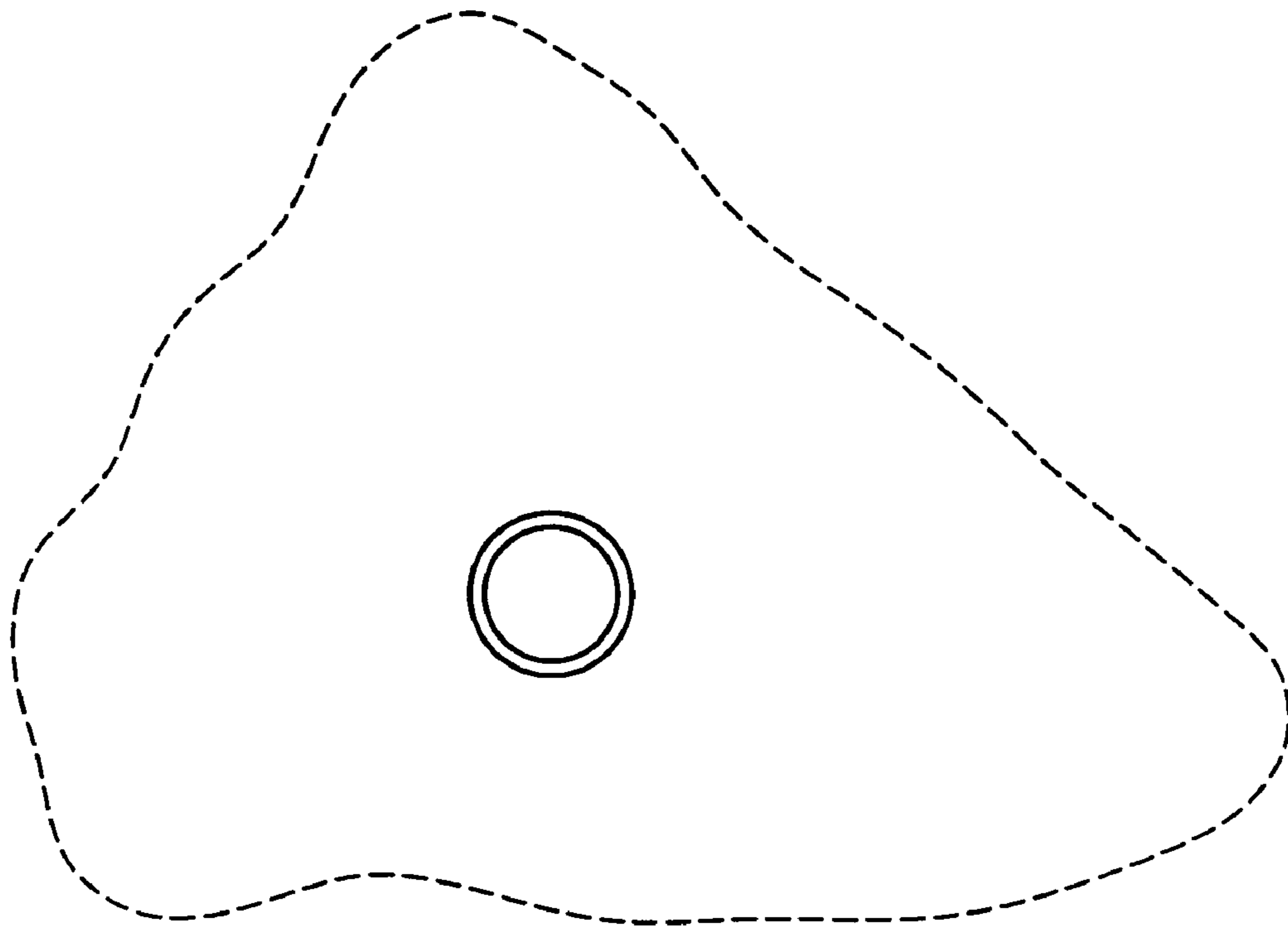


FIG. 8

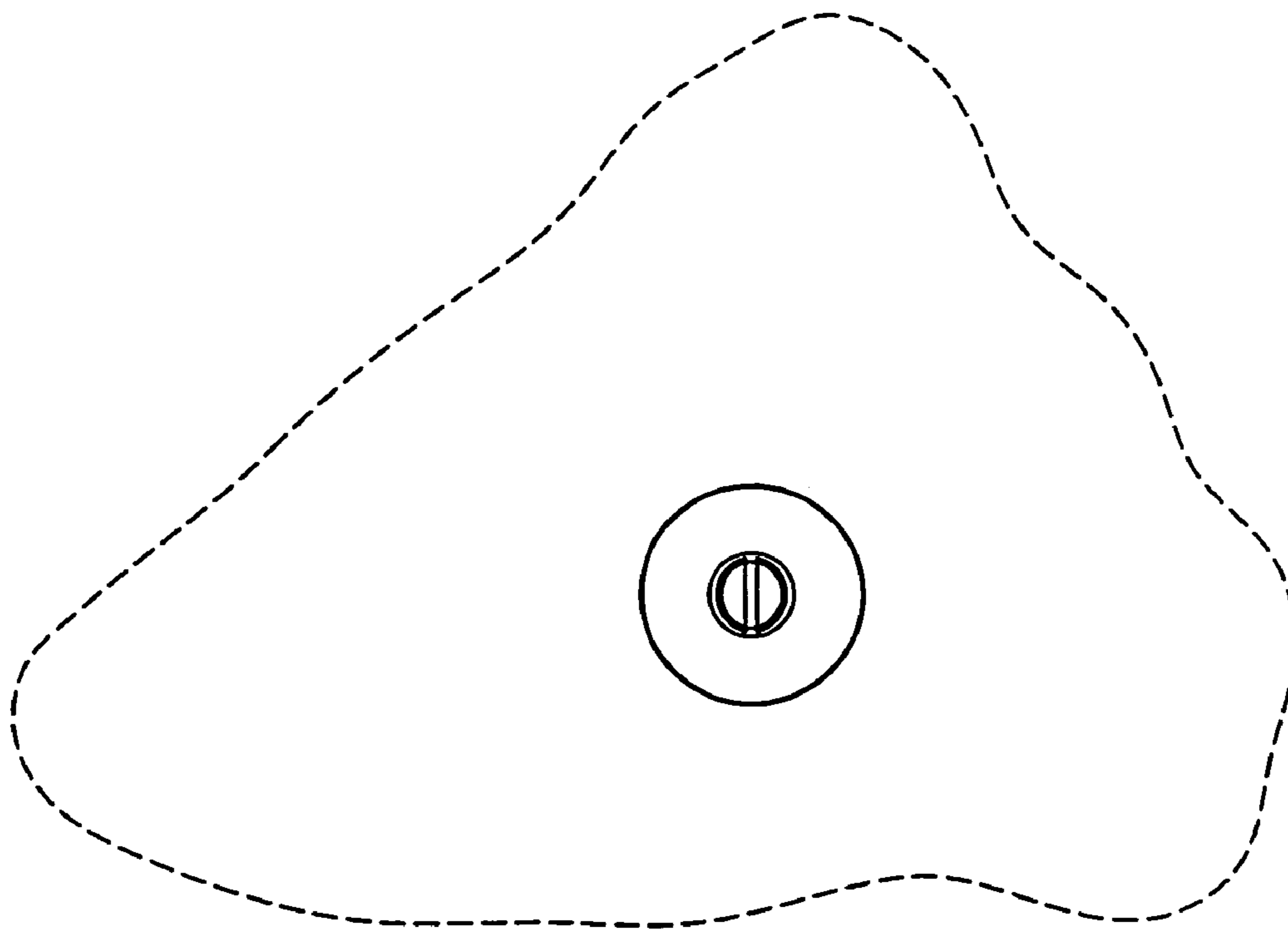


FIG. 9