



US00D552688S

(12) **United States Design Patent**
Hussaini et al.

(10) **Patent No.:** **US D552,688 S**

(45) **Date of Patent:** **** Oct. 9, 2007**

(54) **STAND AND AUDIO ACCESSORY FOR PORTABLE ELECTRONIC DEVICE**

D478,941 S * 8/2003 Hussaini et al. D21/333
D483,415 S * 12/2003 Hussaini et al. D21/333
D484,547 S * 12/2003 Hussaini et al. D21/333

(75) Inventors: **Saied Hussaini**, Miami, FL (US); **Marc Iacovelli**, Miami, FL (US)

* cited by examiner

(73) Assignee: **Intec, Inc.**, Miami Gardens, FL (US)

Primary Examiner—Prabhakar Deshmukh

(74) *Attorney, Agent, or Firm*—Berenato, White & Stavish

(**) Term: **14 Years**

(57) **CLAIM**

(21) Appl. No.: **29/265,103**

The ornamental design for a stand and audio accessory for portable electronic device, as shown and described.

(22) Filed: **Aug. 25, 2006**

(51) **LOC (8) Cl.** **21-01**

DESCRIPTION

(52) **U.S. Cl.** **D21/333**; D14/434; D21/385

FIG. 1 is a perspective view of a stand and audio accessory for portable electronic device showing our new design;

(58) **Field of Classification Search** D21/324–333, D21/369, 385; D14/432–434, 496, 217; 273/148 B; 463/1, 29–35, 46, 47, 16–22; 345/905, 156; 361/679–686

FIG. 2 is a front view of the stand and audio accessory for portable electronic device of FIG. 1.

See application file for complete search history.

FIG. 3 is a rear view of the stand and audio accessory for portable electronic device of FIG. 1.

(56) **References Cited**

FIG. 4 is a right side view of the stand and audio accessory for portable electronic device of FIG. 1.

U.S. PATENT DOCUMENTS

5,325,280 A * 6/1994 Tortola et al. 362/234
5,868,487 A * 2/1999 Polley et al. 362/33
6,262,785 B1 * 7/2001 Kim 349/58
6,400,351 B1 * 6/2002 Ishizawa et al. 345/156
D461,849 S * 8/2002 Hussaini et al. D21/333
6,493,216 B1 * 12/2002 Lin 361/681
D470,896 S * 2/2003 Hussaini et al. D21/333
D477,850 S * 7/2003 Hussaini et al. D21/333
D478,128 S * 8/2003 Hussaini et al. D21/333

FIG. 5 is a left side view of the stand and audio accessory for portable electronic device of FIG. 1.

FIG. 6 is a top view of the stand and audio accessory for portable electronic device of FIG. 1; and,

FIG. 7 is a bottom view of the stand and audio accessory for portable electronic device of FIG. 1.

1 Claim, 4 Drawing Sheets

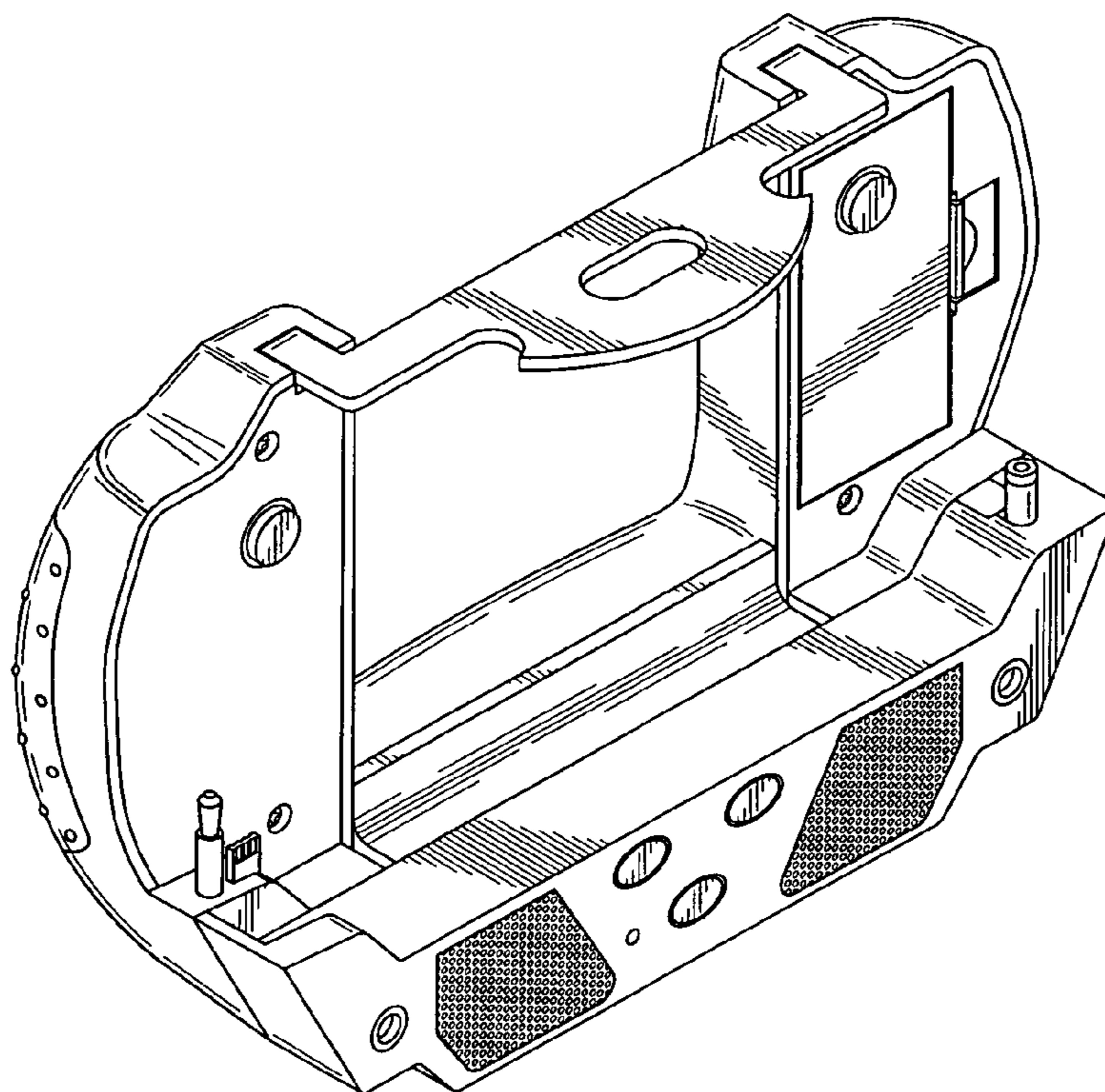


Fig. 1

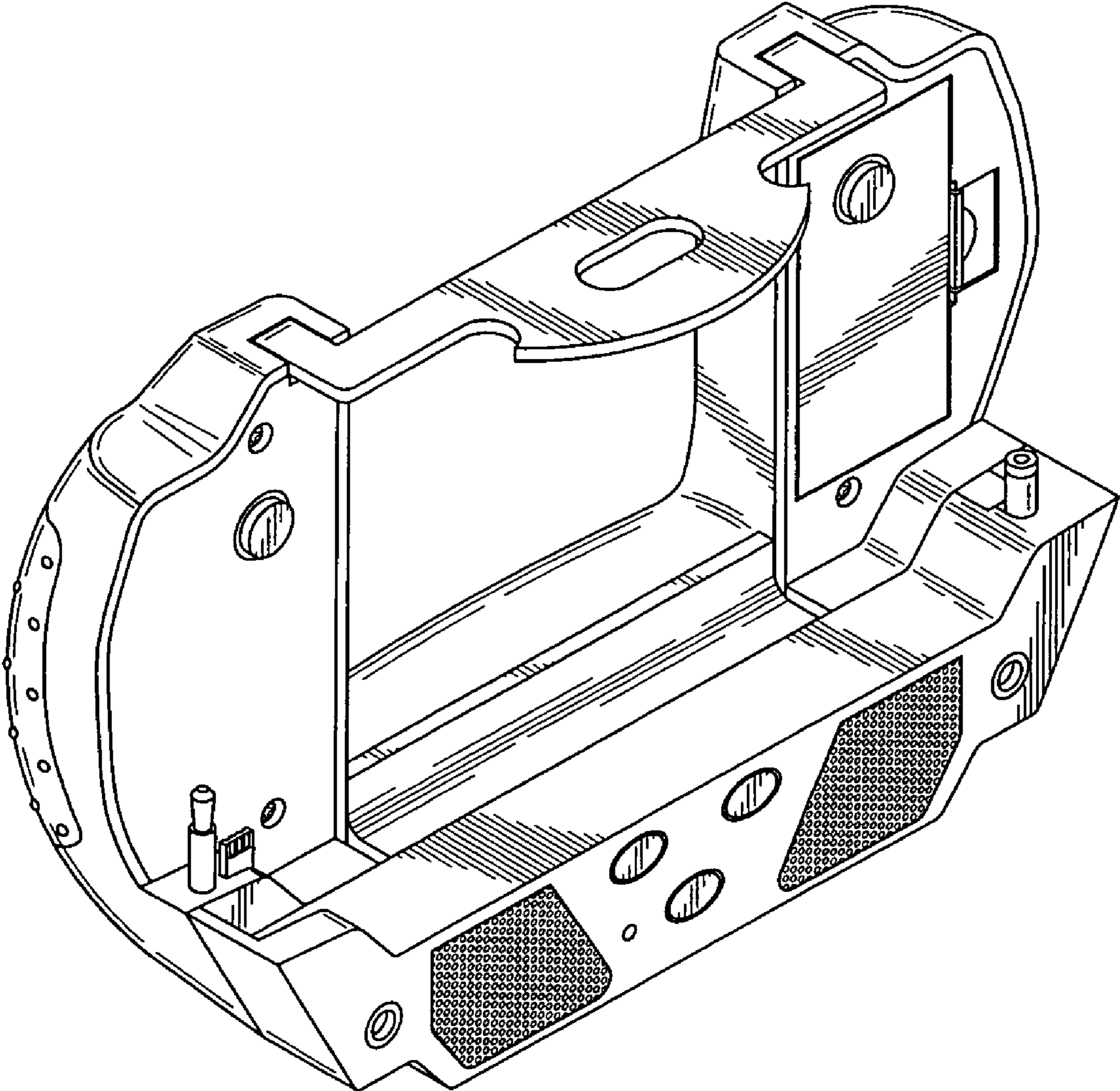


Fig. 2

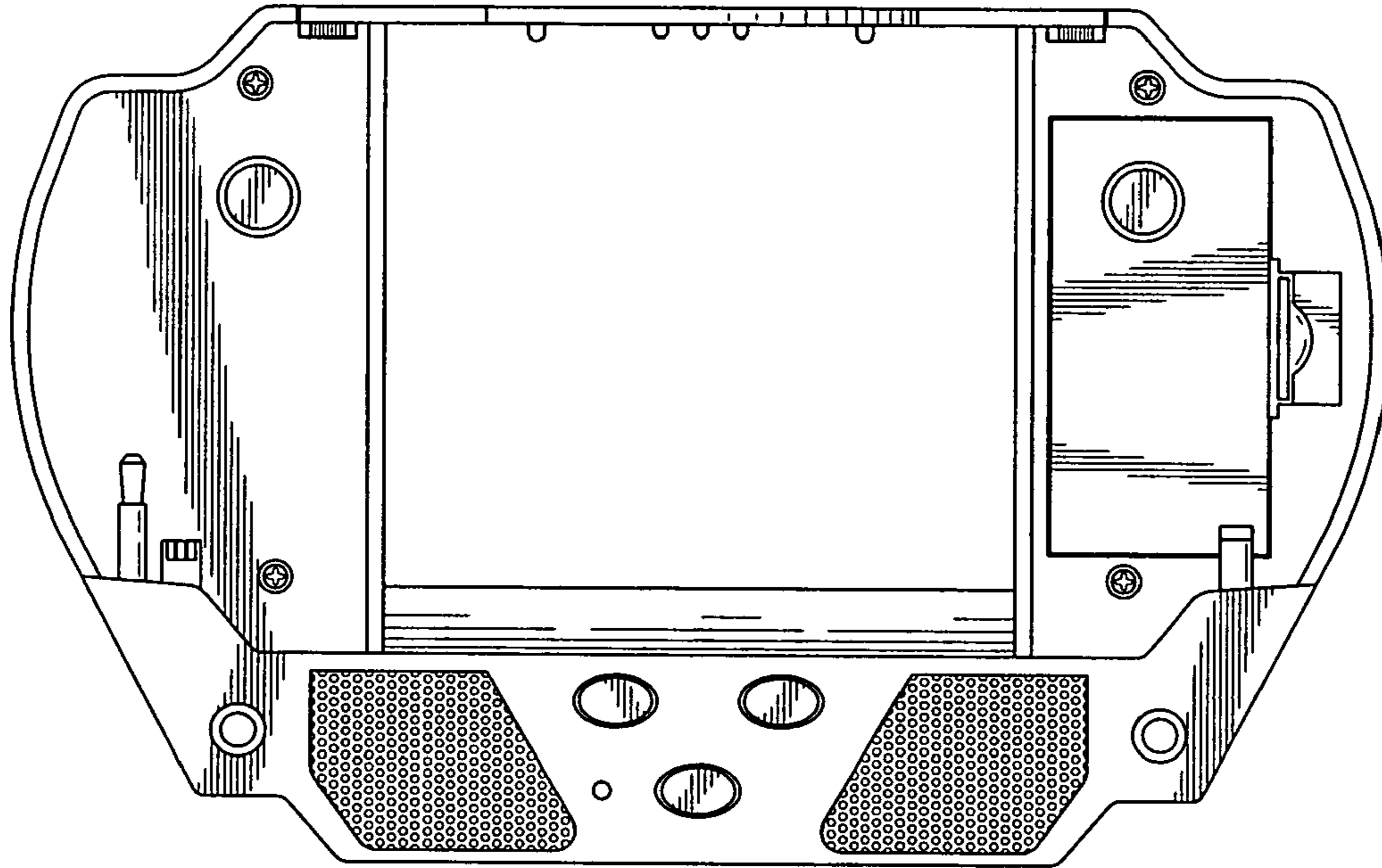


Fig. 3

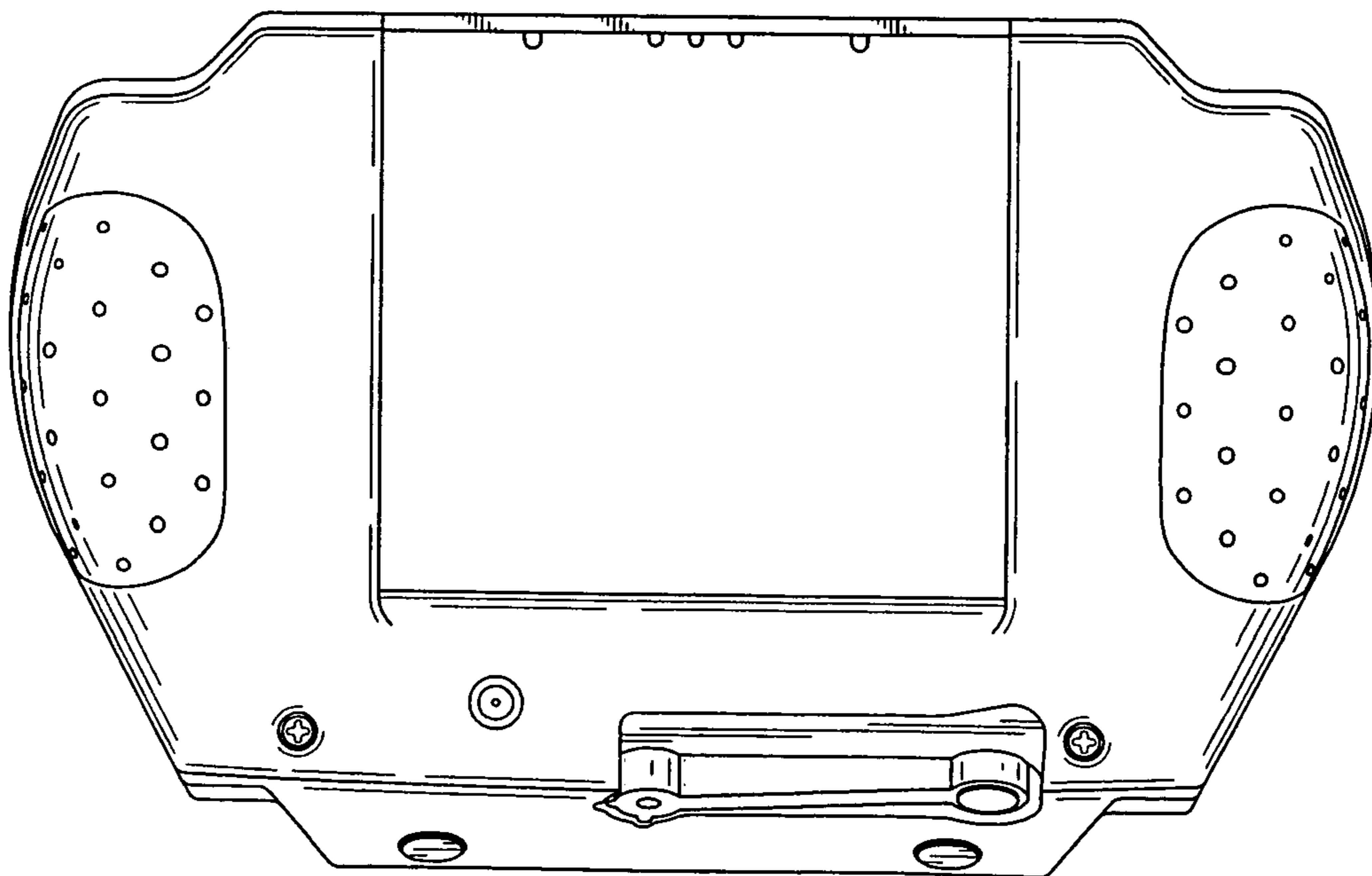


Fig. 4

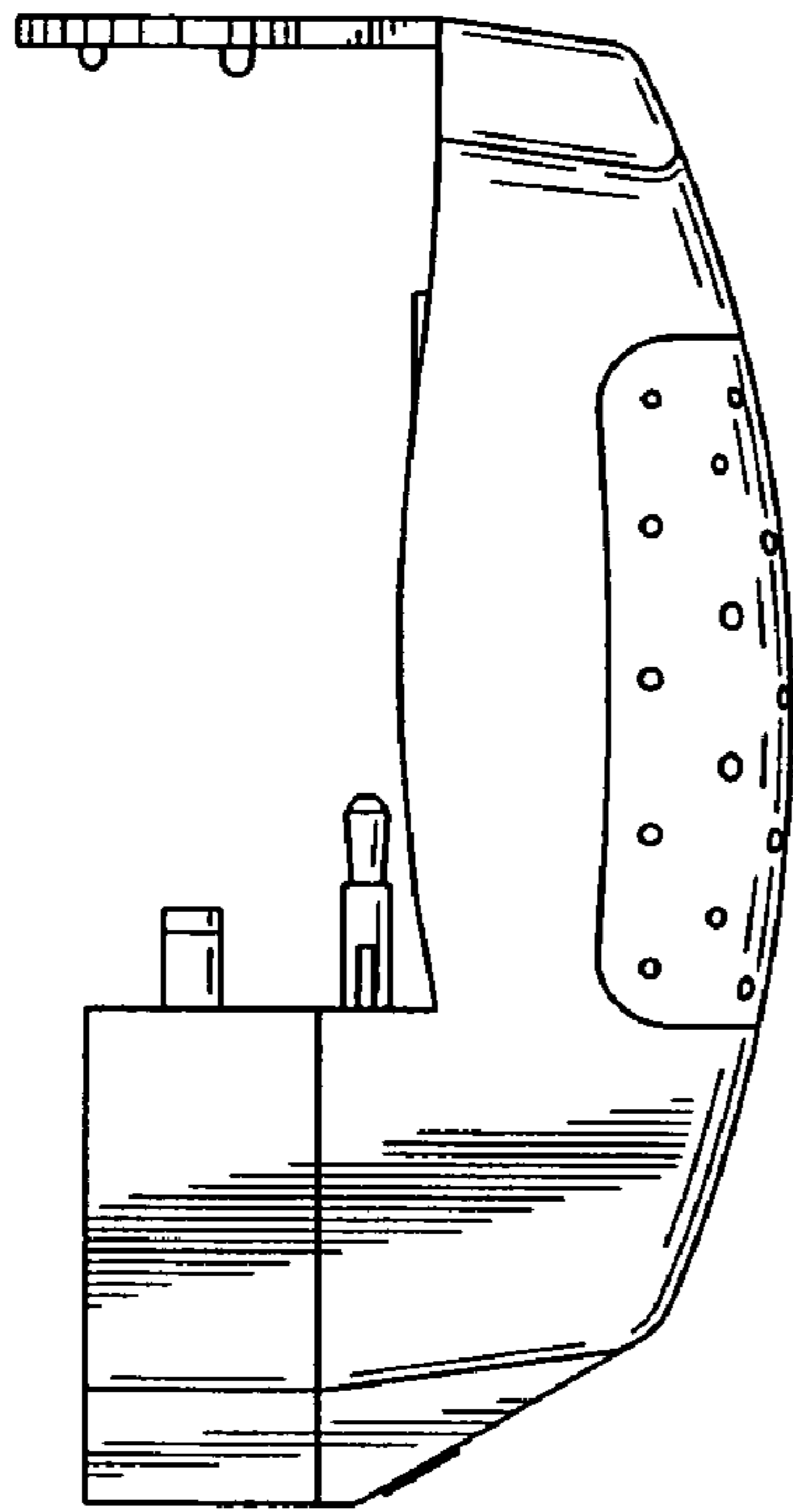


Fig. 5

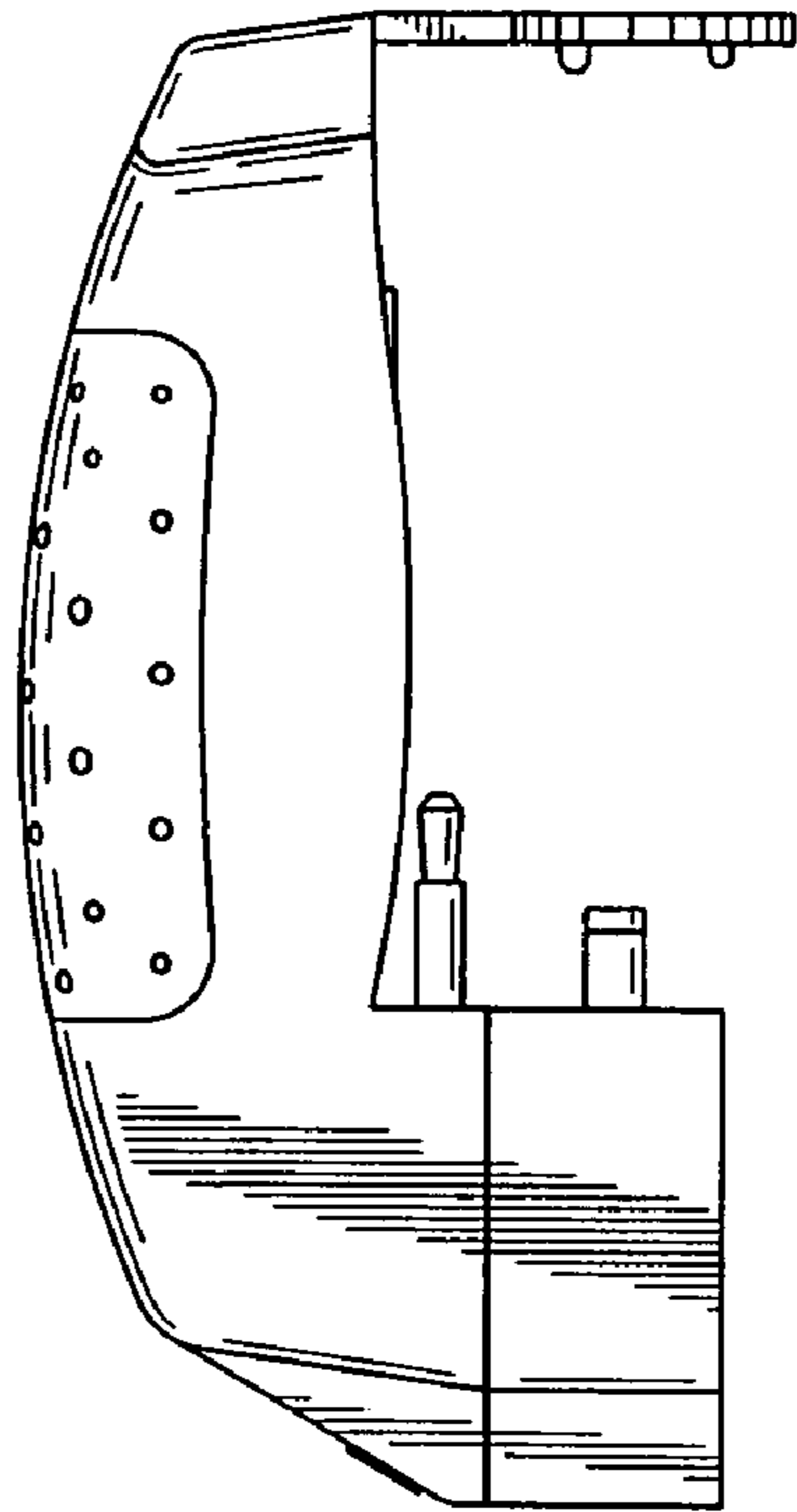


Fig. 6

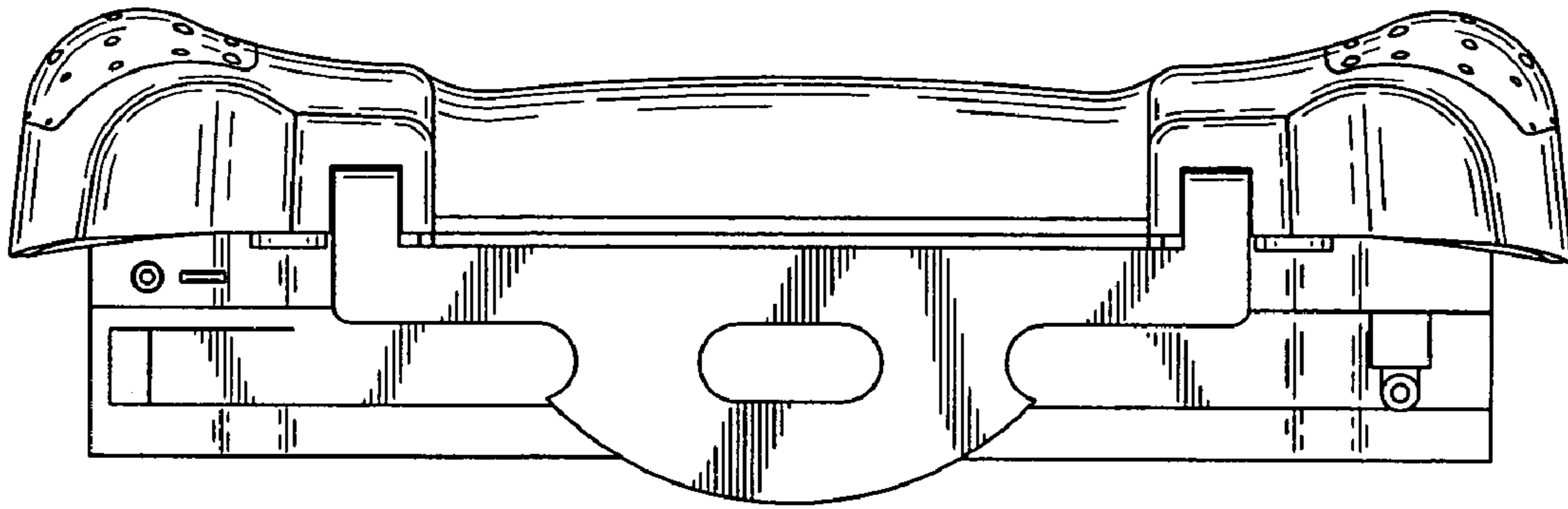


Fig. 7

