



US00D552686S

(12) **United States Design Patent**
Cetera

(10) **Patent No.:** **US D552,686 S**

(45) **Date of Patent:** **** Oct. 9, 2007**

(54) **PEN CLIP**

(75) Inventor: **Carl Cetera**, Tenafly, NJ (US)

(73) Assignee: **Cotapaxi Custom Design and Manufacturing, LLC**, Carlstadt, NJ (US)

(**) Term: **14 Years**

(21) Appl. No.: **29/249,610**

(22) Filed: **Oct. 13, 2006**

Related U.S. Application Data

(62) Division of application No. 29/234,976, filed on Jul. 25, 2005, now Pat. No. Des. 536,377.

(51) **LOC (8) Cl.** **19-06**

(52) **U.S. Cl.** **D19/56**

(58) **Field of Classification Search** D19/35, D19/36, 41-51; 24/11 R, 11 F, 11 P; 401/52, 401/99, 100, 104, 105, 106, 107, 108, 109, 401/192, 195, 196

See application file for complete search history.

(56) **References Cited**

U.S. PATENT DOCUMENTS

- D282,378 S * 1/1986 Ohyabu et al. D19/43
- D310,684 S * 9/1990 Itoh D19/57
- D317,625 S * 6/1991 Itoh D19/57

- D325,931 S * 5/1992 Sekiguchi D19/43
- D329,253 S * 9/1992 Sekiguchi D19/43
- D335,144 S * 4/1993 Katami et al. D19/57
- D338,686 S * 8/1993 Ito D19/57
- D345,759 S * 4/1994 Poisson D19/57
- D436,623 S * 1/2001 Schmidt et al. D19/46
- D477,026 S * 7/2003 Stropkay et al. D19/51
- D493,835 S * 8/2004 Andrews et al. D19/56
- D526,021 S * 8/2006 Lecce D19/51

* cited by examiner

Primary Examiner—Elizabeth A. Albert
(74) *Attorney, Agent, or Firm*—The Soni Law Firm

(57) **CLAIM**

The ornamental design for a pen clip, as shown and described.

DESCRIPTION

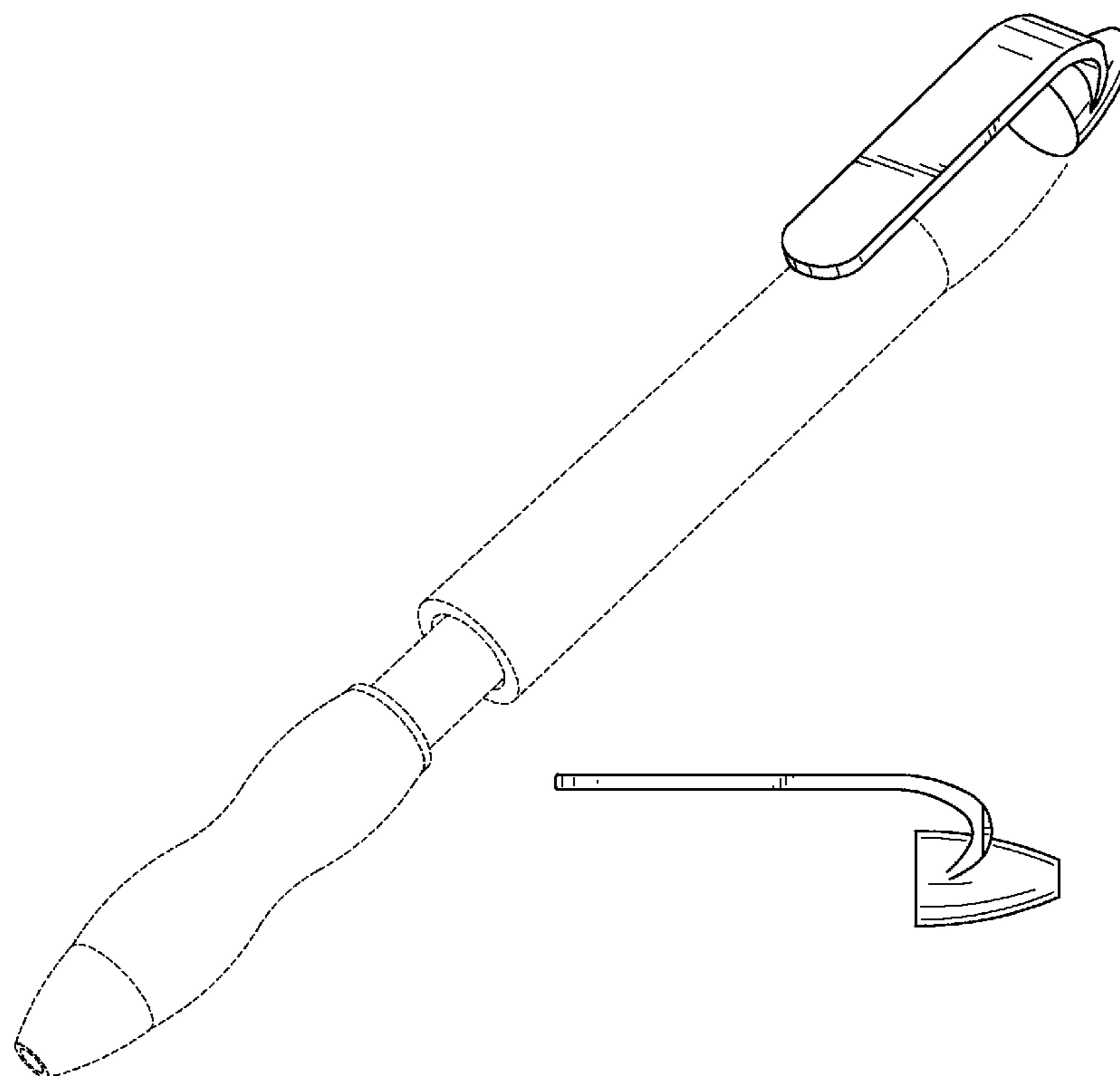
FIG. 1 is a front bottom side perspective view of a pen clip showing my new design, with the phantom lines depicting environmental structure and forming no part of the claimed design;

FIG. 2 is a front elevational view thereof;

FIG. 3 is a right side elevational view thereof which is a mirror image of the left side thereof; and,

FIG. 4 is a top plan view thereof.

1 Claim, 1 Drawing Sheet



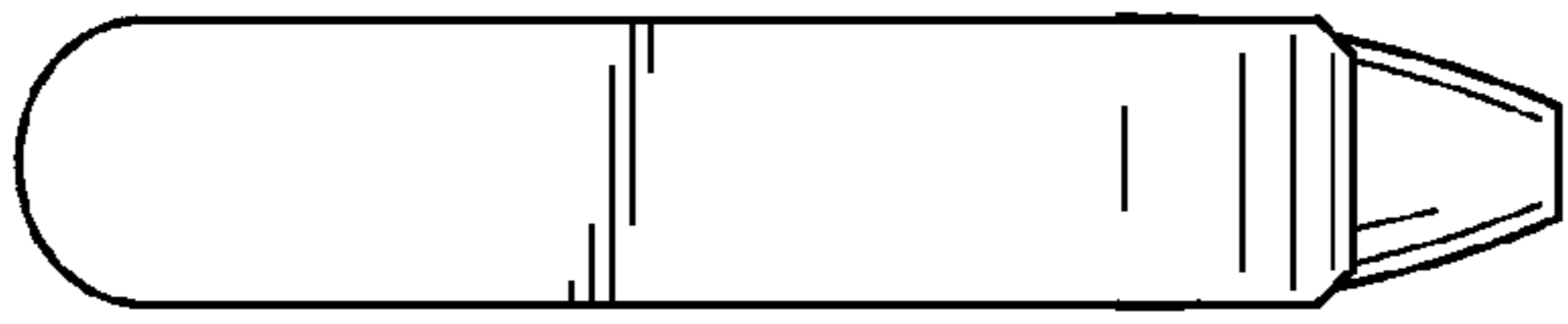


FIG. 2

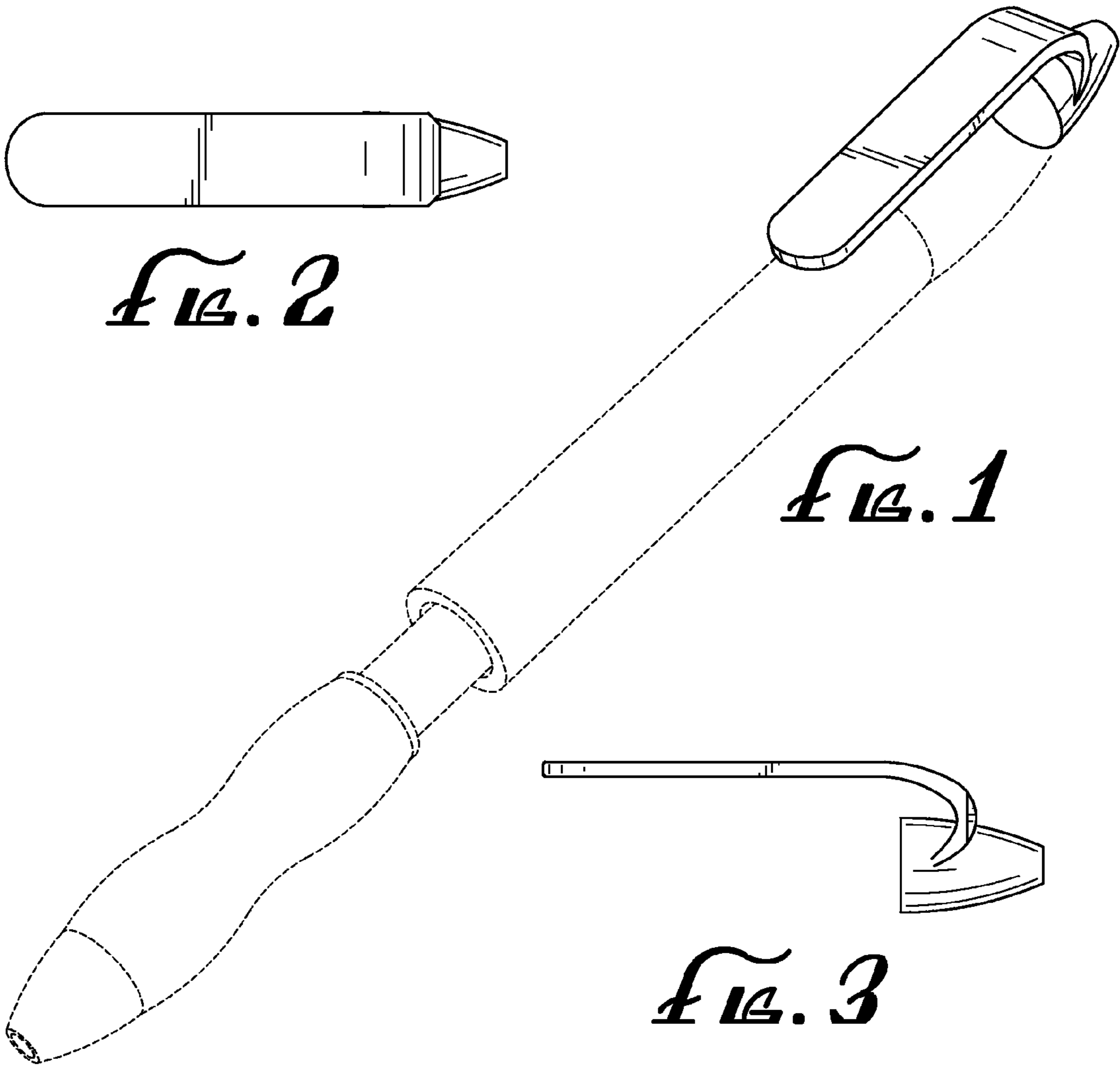


FIG. 1

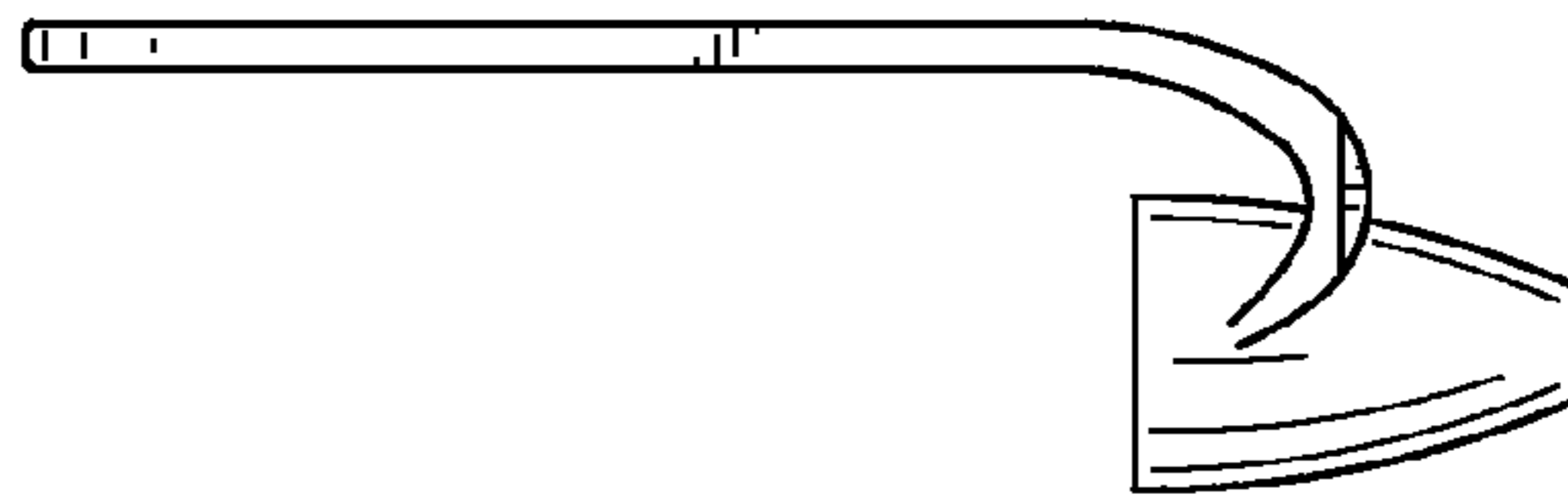


FIG. 3

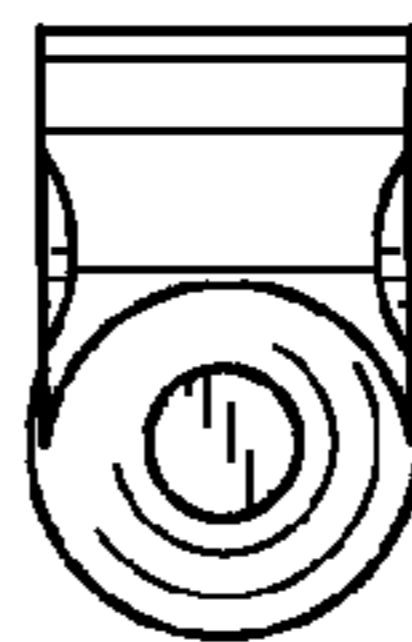


FIG. 4