



US00D552684S

(12) **United States Design Patent**  
**Cetera**

(10) **Patent No.:** **US D552,684 S**

(45) **Date of Patent:** **\*\* Oct. 9, 2007**

(54) **PEN CLIP**

D513,766 S \* 1/2006 Cetera ..... D19/36

(75) Inventor: **Carl Cetera**, Tenafly, NJ (US)

\* cited by examiner

(73) Assignee: **Cotapaxi Custom Design and Manufacturing, LLC**, Carlstadt, NJ (US)

*Primary Examiner*—Elizabeth A. Albert

(74) *Attorney, Agent, or Firm*—The Soni Law Firm

(\*\*) Term: **14 Years**

(57) **CLAIM**

(21) Appl. No.: **29/249,601**

The ornamental design for a pen clip, as shown and described.

(22) Filed: **Oct. 13, 2006**

**DESCRIPTION**

**Related U.S. Application Data**

(63) Continuation-in-part of application No. 29/246,266, filed on Mar. 28, 2006.

FIG. 1 is a front bottom side perspective view of my new design with the phantom lines depicting environmental structure and forming no part of the claimed design;

(51) **LOC (8) Cl.** ..... **19-06**

(52) **U.S. Cl.** ..... **D19/56**

FIG. 2 is a left side elevational view thereof which is a mirror image of the right side thereof with the phantom lines depicting environmental structure and forming no part of the claimed design;

(58) **Field of Classification Search** ..... D19/35, D19/36, 41–51; 24/11 R, 11 F, 11 P; 401/52, 401/99, 100, 104, 105, 106, 107, 108, 109, 401/192, 195, 196

See application file for complete search history.

FIG. 3 is front elevational view thereof with the phantom lines depicting environmental structure and forming no part of the claimed design;

(56) **References Cited**

**U.S. PATENT DOCUMENTS**

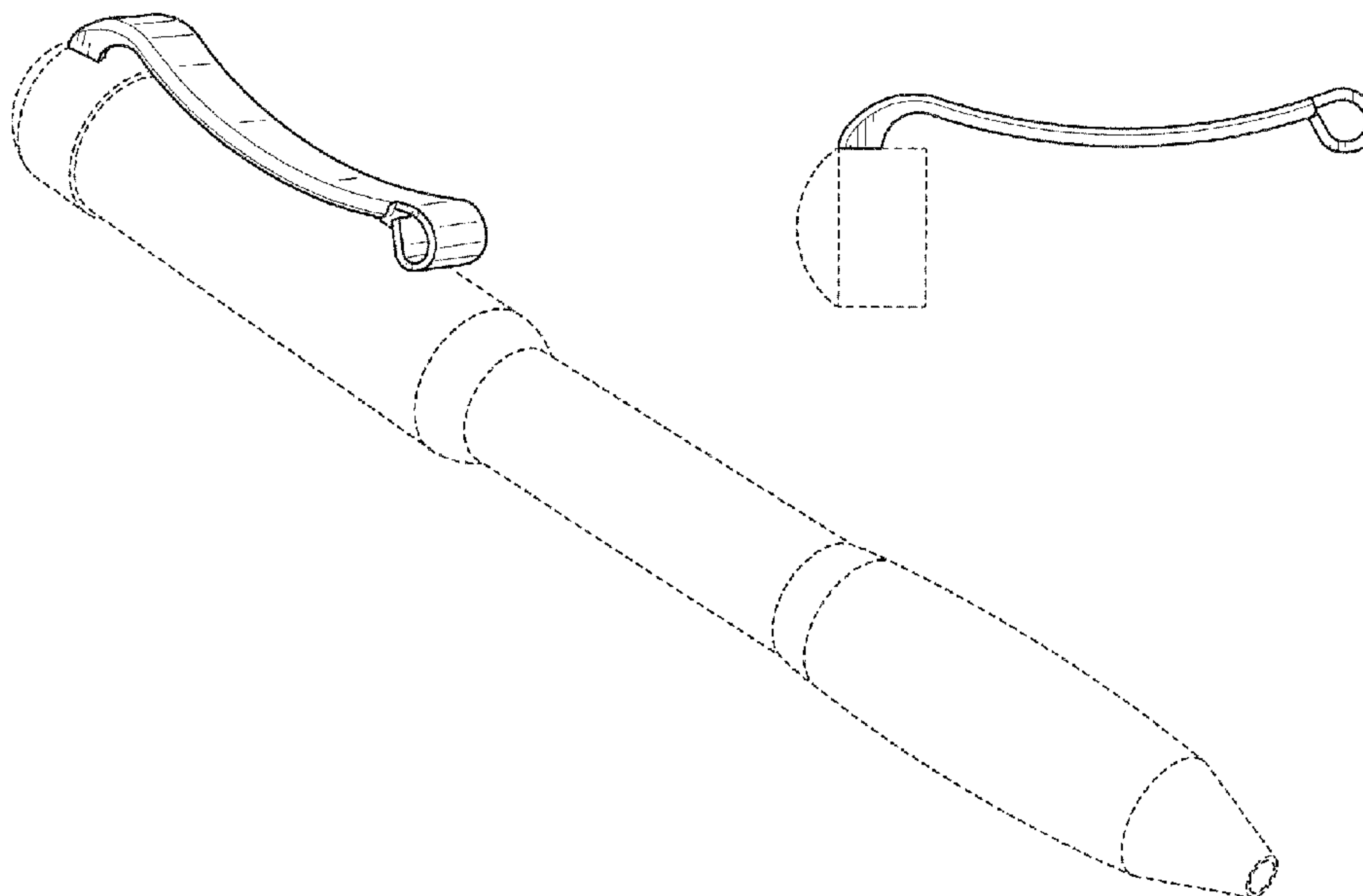
- D324,398 S \* 3/1992 Herbst et al. .... D19/57
- D364,641 S \* 11/1995 Osterhout ..... D19/36
- D437,888 S \* 2/2001 Briggl et al. .... D19/51
- D462,717 S \* 9/2002 Rommel ..... D19/56
- D474,506 S \* 5/2003 Rommel ..... D19/57
- D508,200 S \* 8/2005 Cagle ..... D9/434
- D508,715 S \* 8/2005 Rommel ..... D19/43

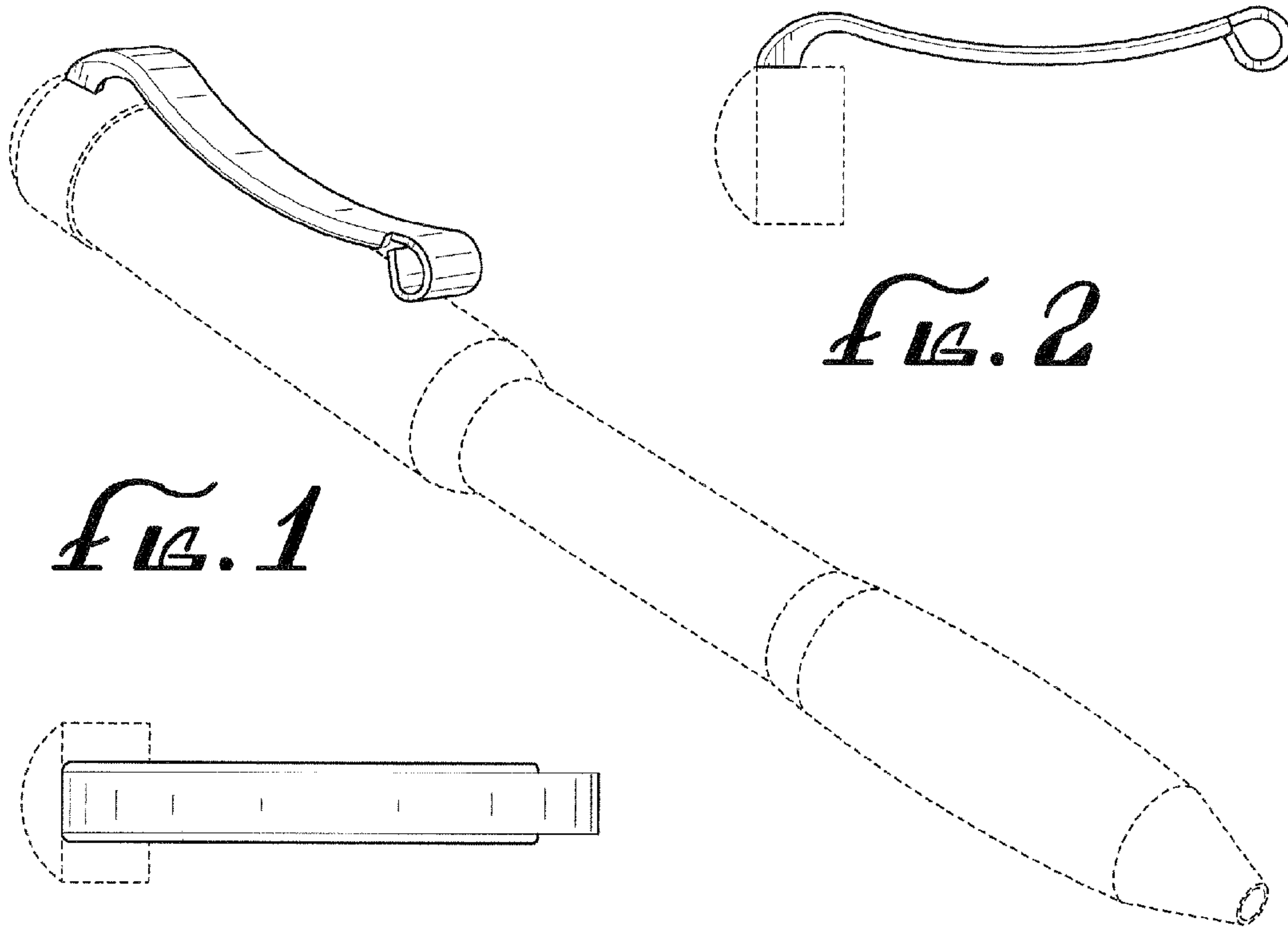
FIG. 4 is a bottom plan view thereof with the phantom lines depicting environmental structure and forming no part of the claimed design;

FIG. 5 is a top plan view thereof with the phantom lines depicting environmental structure and forming no part of the claimed design; and,

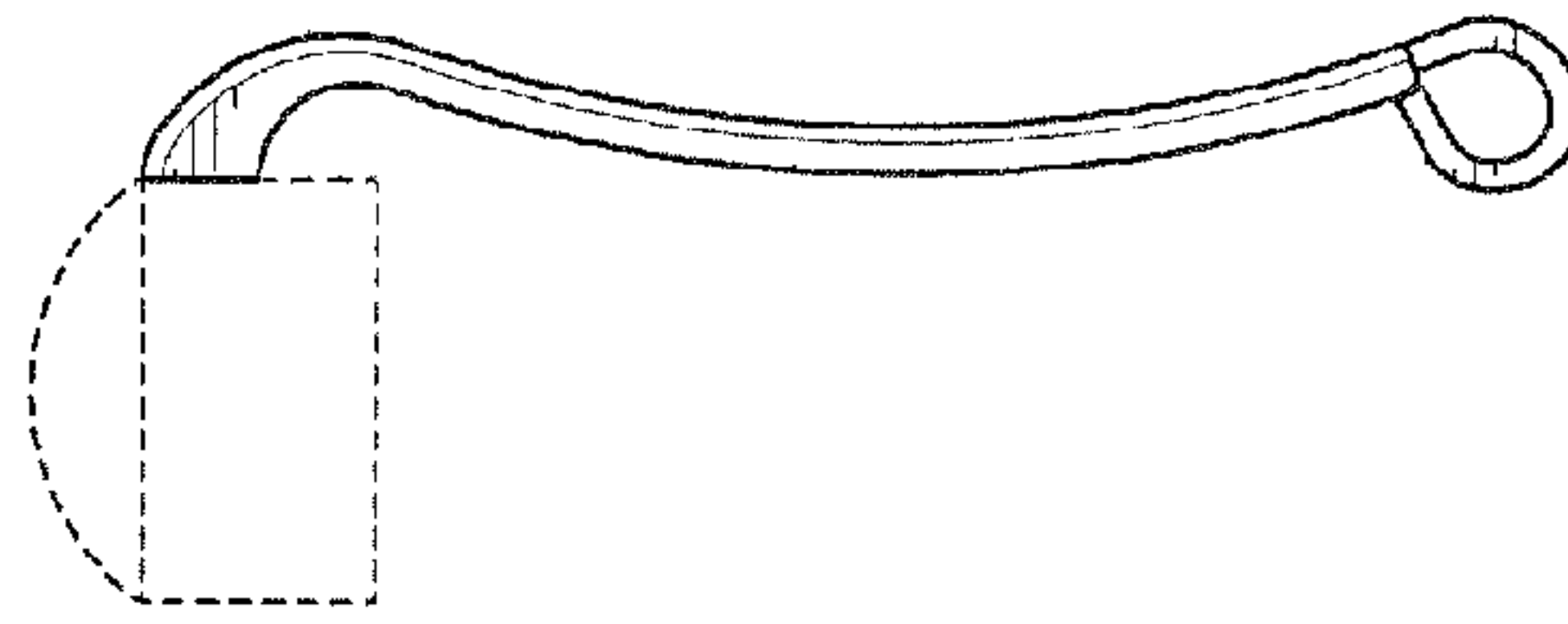
FIG. 6 is a back elevational view thereof with the phantom lines depicting environmental structure and forming no part of the claimed design.

**1 Claim, 1 Drawing Sheet**

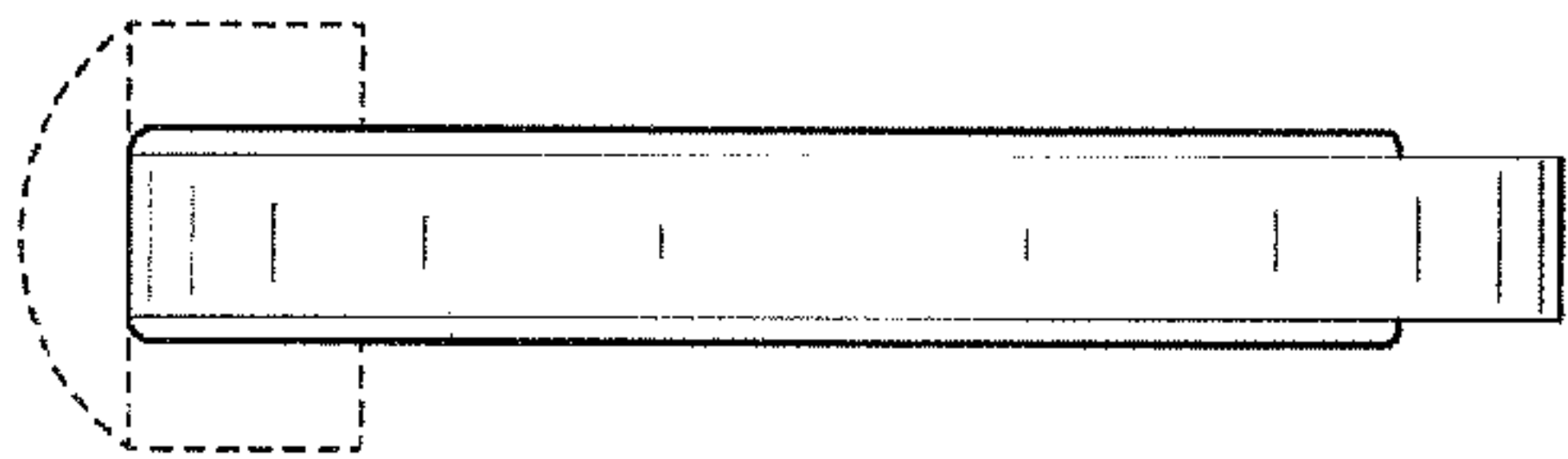




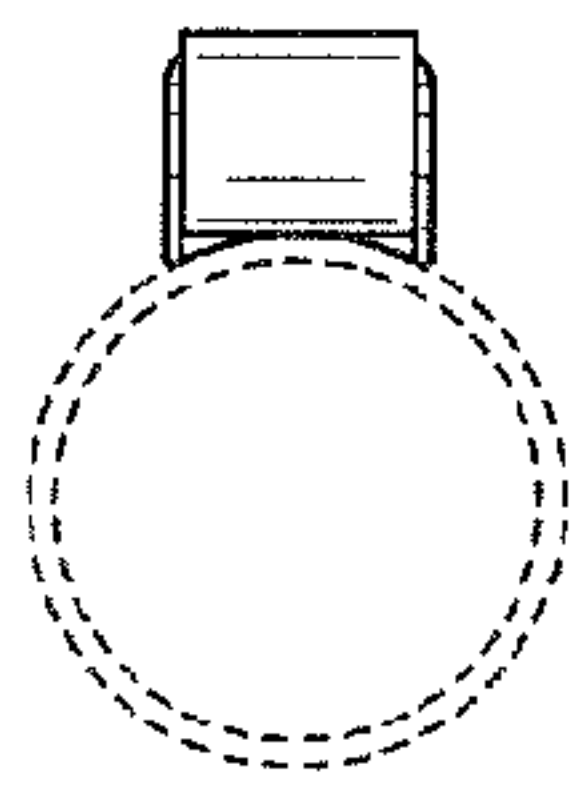
*FIG. 1*



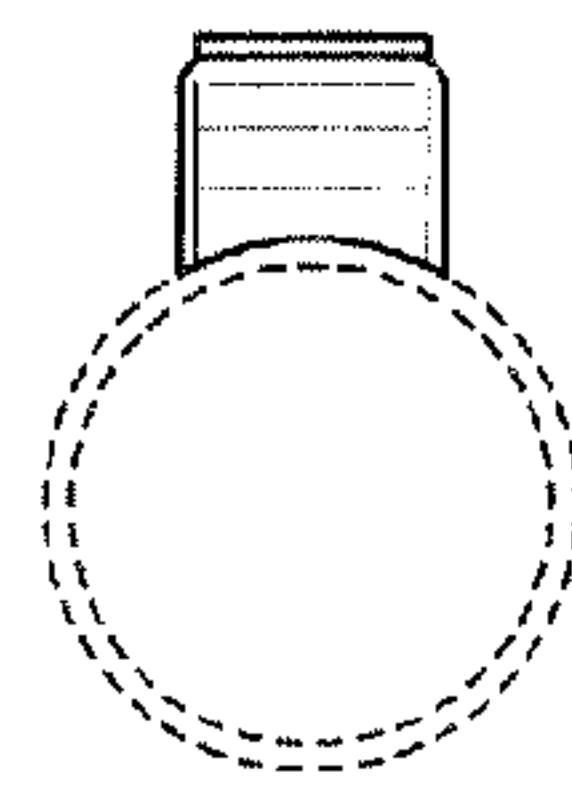
*FIG. 2*



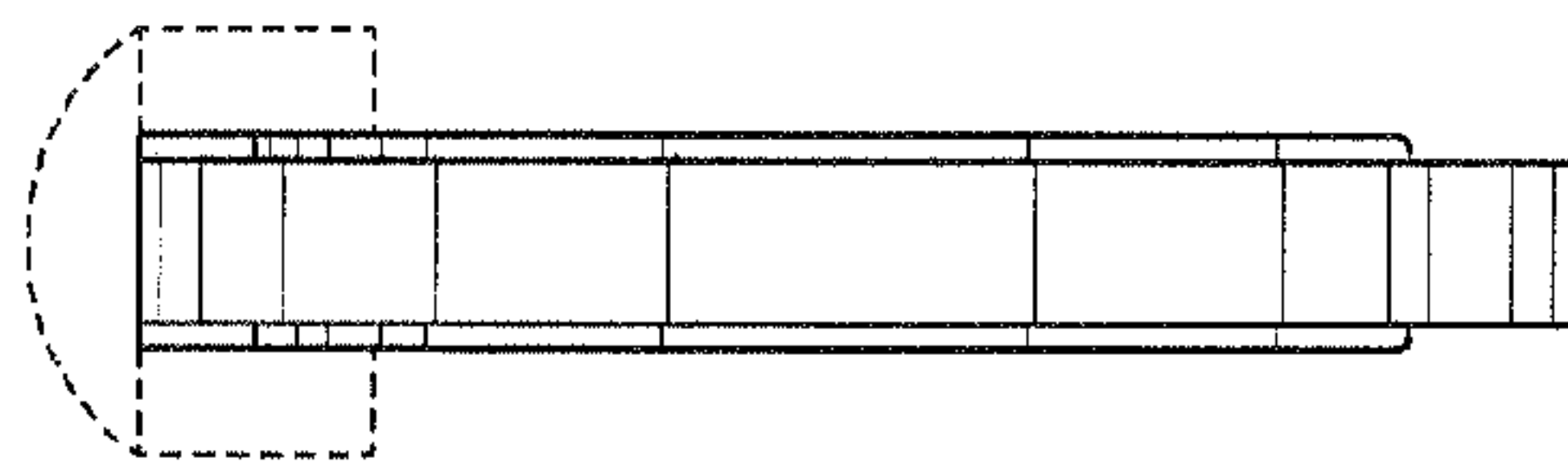
*FIG. 3*



*FIG. 4*



*FIG. 5*



*FIG. 6*