



US00D552683S

(12) **United States Design Patent**
Cetera

(10) **Patent No.:** **US D552,683 S**

(45) **Date of Patent:** **** Oct. 9, 2007**

(54) **PEN CLIP**

(75) Inventor: **Carl Cetera**, Tenafly, NJ (US)

(73) Assignee: **Cotapaxi Custom Design and Manufacturing, LLC**, Carlstadt, NJ (US)

(**) Term: **14 Years**

(21) Appl. No.: **29/248,444**

(22) Filed: **Aug. 16, 2006**

(51) **LOC (8) Cl.** **19-06**

(52) **U.S. Cl.** **D19/56**

(58) **Field of Classification Search** D19/35,
D19/36, 41-51, 53-57; 24/11 R, 11 F, 11 P;
401/52, 99, 100, 104, 105, 106, 107, 108,
401/109, 192, 195, 196

See application file for complete search history.

(56) **References Cited**

U.S. PATENT DOCUMENTS

D364,641 S	*	11/1995	Osterhout	D19/36
D410,031 S	*	5/1999	Charriol	D19/51
D430,209 S	*	8/2000	Rommel	D19/50
D462,717 S	*	9/2002	Rommel	D19/56
D474,506 S	*	5/2003	Rommel	D19/57
D489,085 S	*	4/2004	Willat et al.	D19/36
D499,448 S	*	12/2004	Rommel	D19/50
D508,715 S	*	8/2005	Rommel	D19/43

D513,766 S		1/2006	Cetera	
D538,342 S	*	3/2007	Oi D19/50
D538,345 S	*	3/2007	Oi D19/56
D541,341 S	*	4/2007	Oi D19/47

OTHER PUBLICATIONS

U.S. Appl. No. 11/112.271, Carl Cetera.

* cited by examiner

Primary Examiner—Elizabeth A. Albert

(74) *Attorney, Agent, or Firm*—The Soni Law Firm

(57) **CLAIM**

The ornamental design for a pen clip, as shown and described.

DESCRIPTION

FIG. 1 is a front side bottom perspective view of a pen clip showing my new design, with the phantom lines depicting environmental structure and forming no part of the claimed design;

FIG. 2 is a right side elevational view thereof which is a mirror image of the left side thereof;

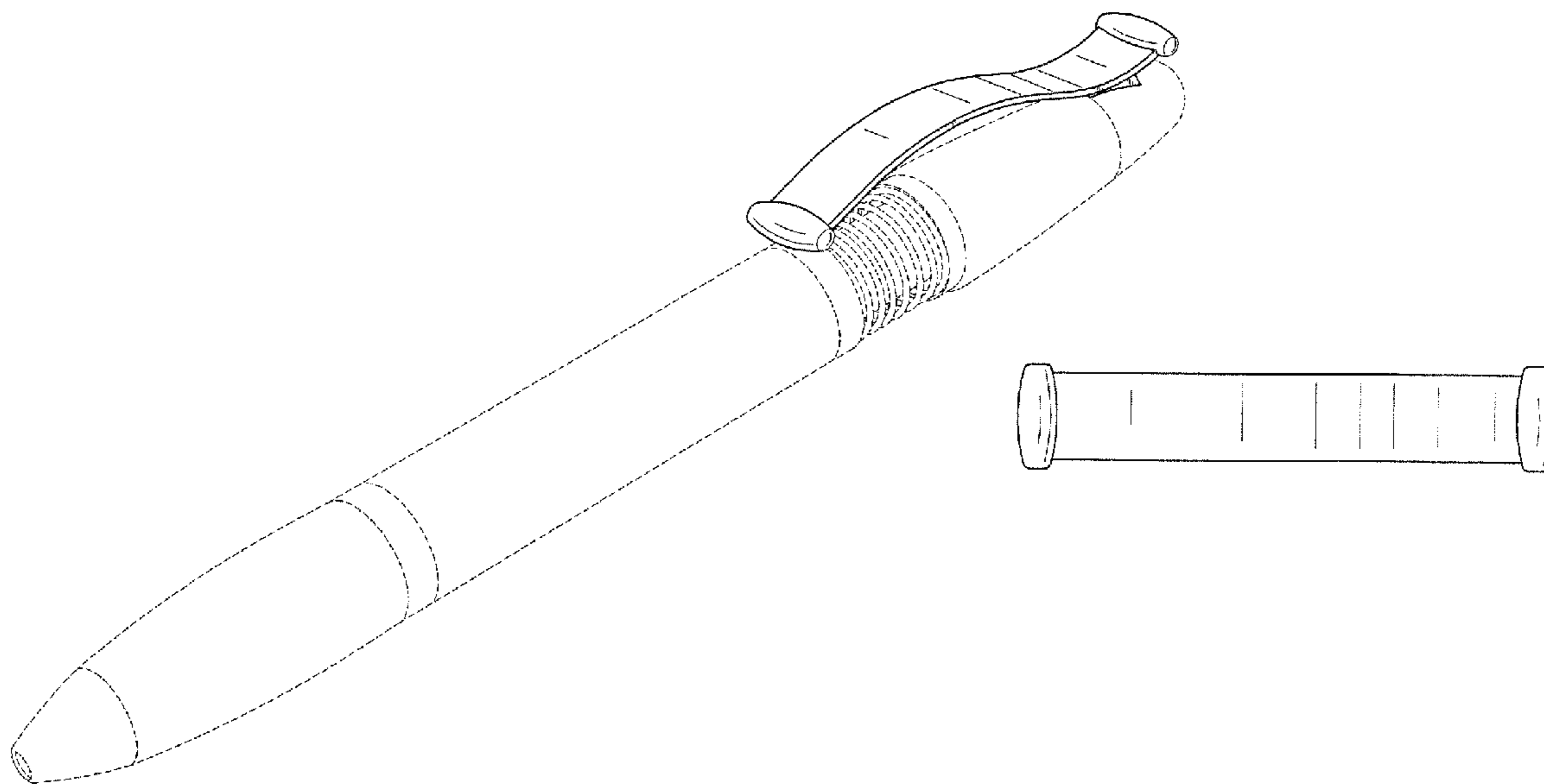
FIG. 3 is a front elevational view thereof;

FIG. 4 is a back elevational view thereof;

FIG. 5 is a bottom plan view thereof; and,

FIG. 6 is a top plan view thereof.

1 Claim, 1 Drawing Sheet



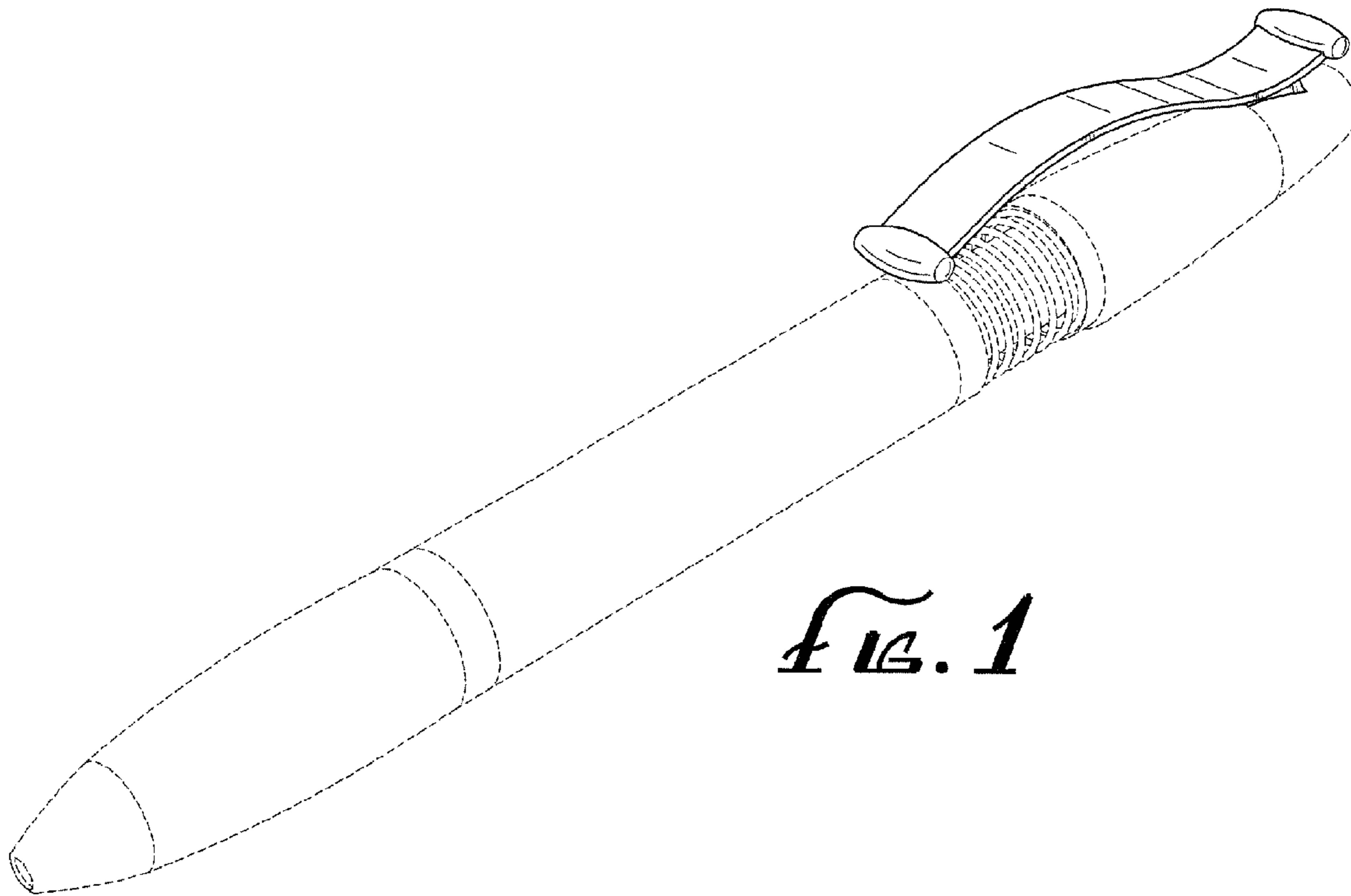


FIG. 1

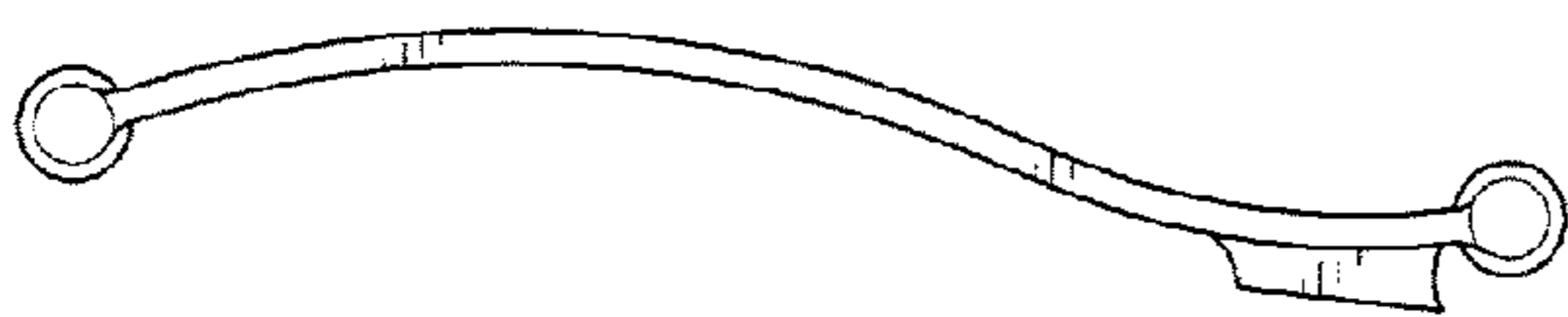


FIG. 2

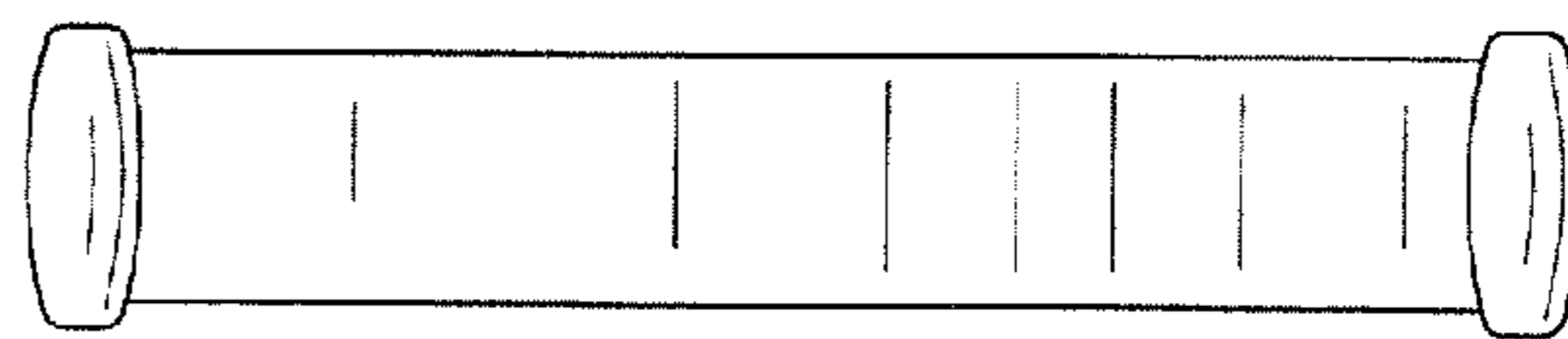


FIG. 3

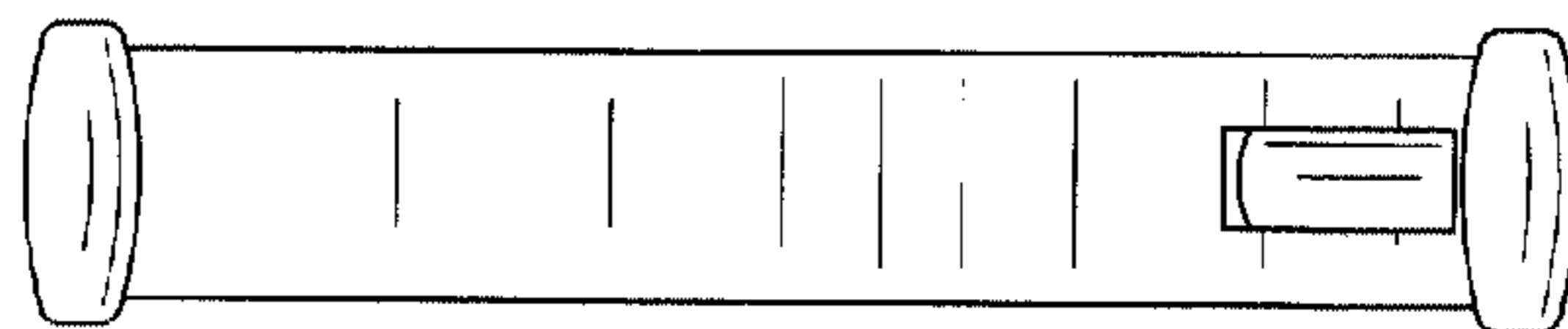


FIG. 4

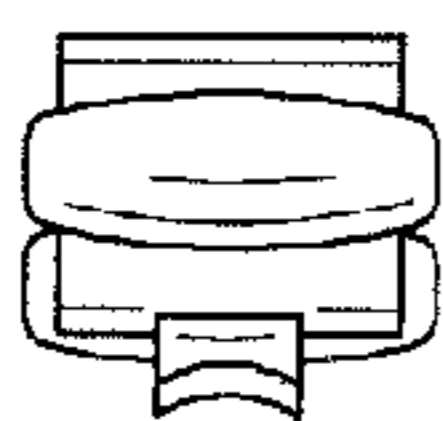


FIG. 5

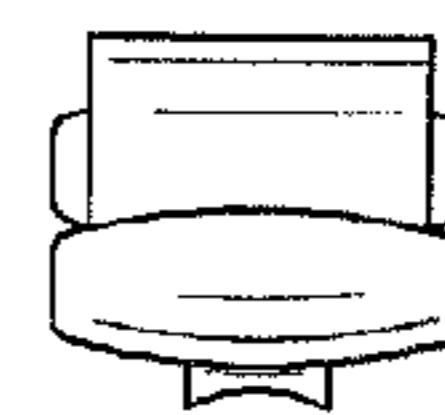


FIG. 6