



US00D552680S

(12) **United States Design Patent**
Cetera

(10) **Patent No.:** **US D552,680 S**

(45) **Date of Patent:** **** Oct. 9, 2007**

(54) **EXPANDABLE PEN**

(75) Inventor: **Carl Cetera**, Tenafly, NJ (US)

(73) Assignee: **Cotapaxi Custom Design and Manufacturing, LLC**, Carlstadt, NJ (US)

(**) Term: **14 Years**

(21) Appl. No.: **29/246,268**

(22) Filed: **Mar. 28, 2006**

(51) **LOC (8) Cl.** **19-06**

(52) **U.S. Cl.** **D19/51**

(58) **Field of Classification Search** D19/35,
D19/36, 41-51; 24/11 R, 11 F, 11 P; 401/52,
401/99, 100, 104, 105, 106, 107, 108, 109,
401/192, 195, 196

See application file for complete search history.

(56) **References Cited**

U.S. PATENT DOCUMENTS

D80,362 S * 1/1930 Cuthbert et al. D19/51
D439,613 S * 3/2001 Ham D19/43
6,273,627 B1 * 8/2001 Mittersinker et al. 401/117
D453,792 S * 2/2002 Tung D19/43
D466,934 S * 12/2002 Schung D19/50

D477,025 S * 7/2003 Morrow D19/51
D485,576 S * 1/2004 Burden et al. D19/51
D504,916 S * 5/2005 Yeh D19/48
7,180,509 B2 * 2/2007 Fermgard et al. 345/179
D541,858 S * 5/2007 Yeh D19/44

* cited by examiner

Primary Examiner—Elizabeth A. Albert

(74) *Attorney, Agent, or Firm*—The Soni Law Firm

(57) **CLAIM**

The ornamental design for a expandable pen, as shown and described.

DESCRIPTION

FIG. 1 is a front side perspective view of the expandable pen showing my new design;

FIG. 2 is a side elevational view thereof;

FIG. 3 is a front elevational view thereof;

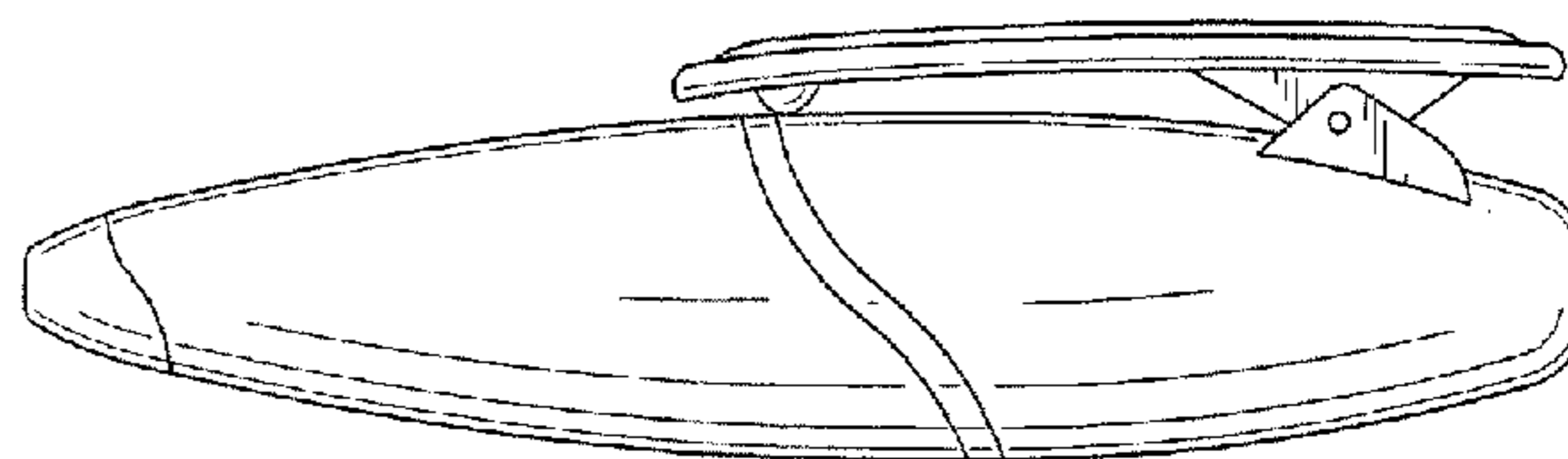
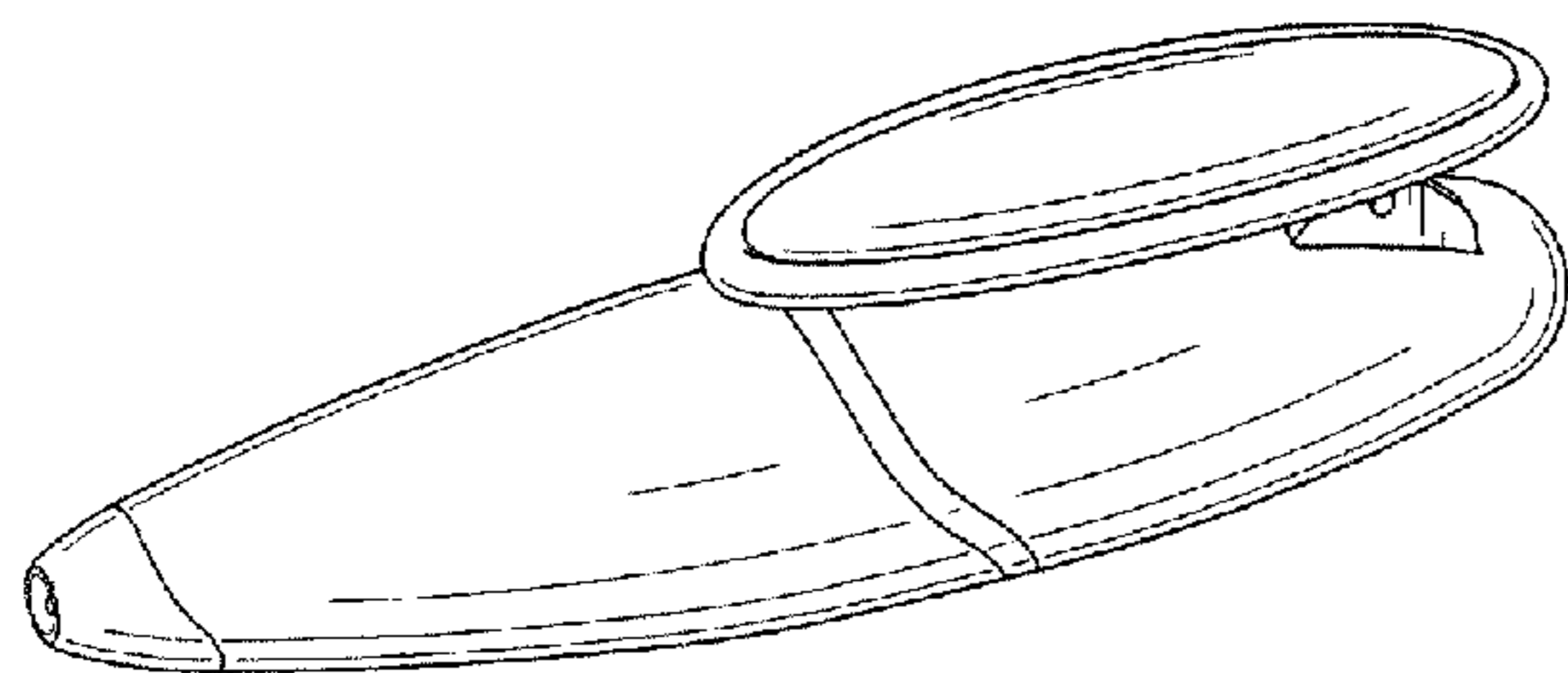
FIG. 4 is a back elevational view thereof;

FIG. 5 is a bottom plan view thereof;

FIG. 6 is a top plan view thereof; and,

FIG. 7 is a front side perspective view thereof, in an expanded condition with the writing point extended.

1 Claim, 3 Drawing Sheets



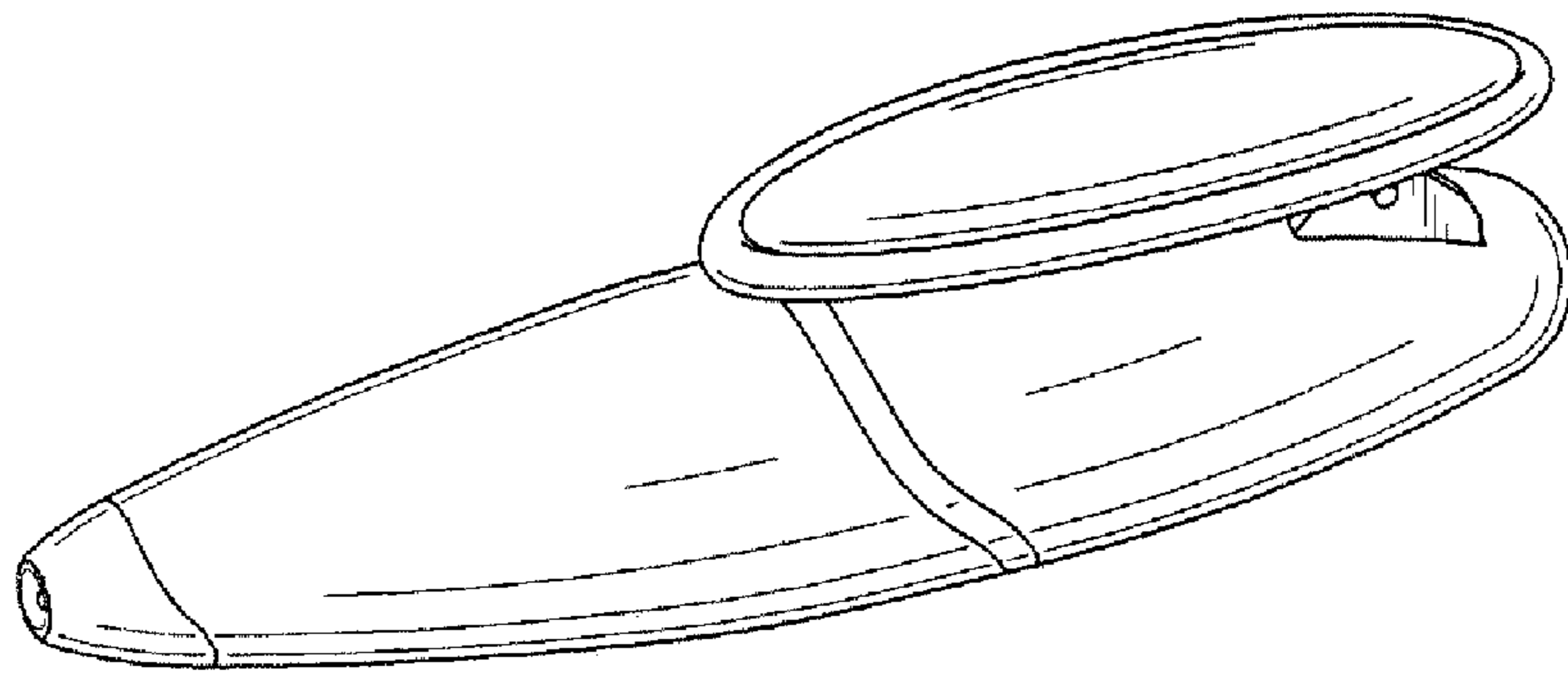


FIG. 1

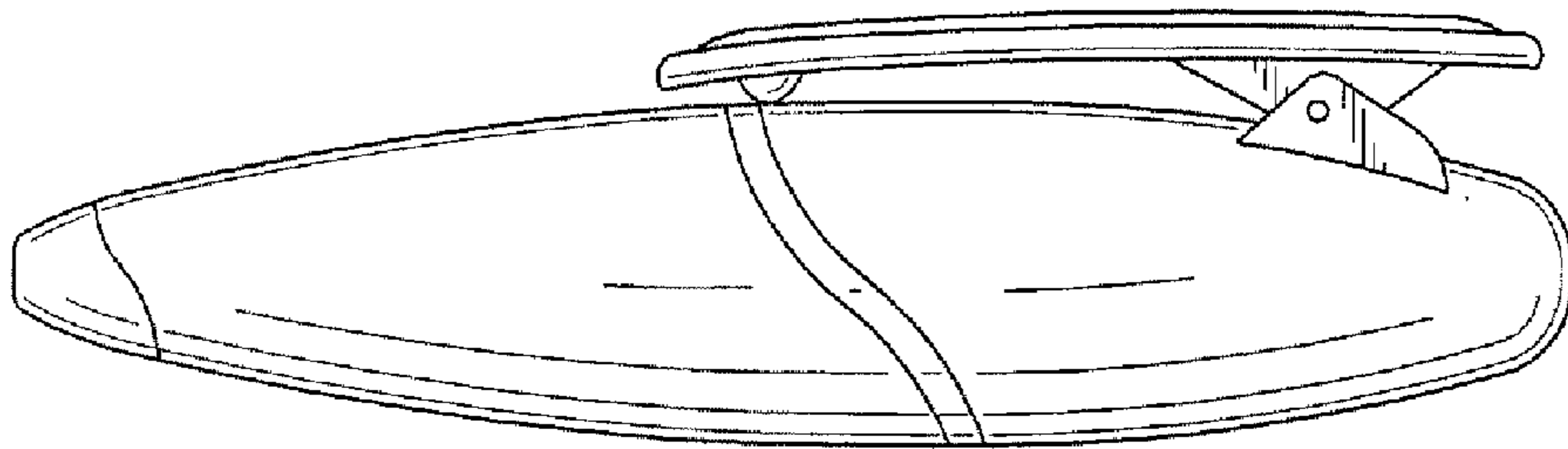


FIG. 2

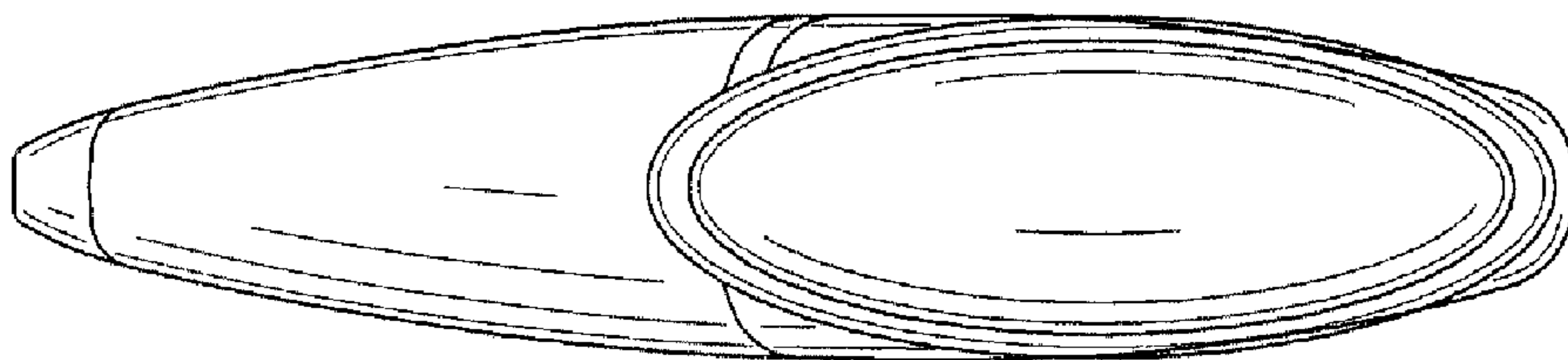


FIG. 3

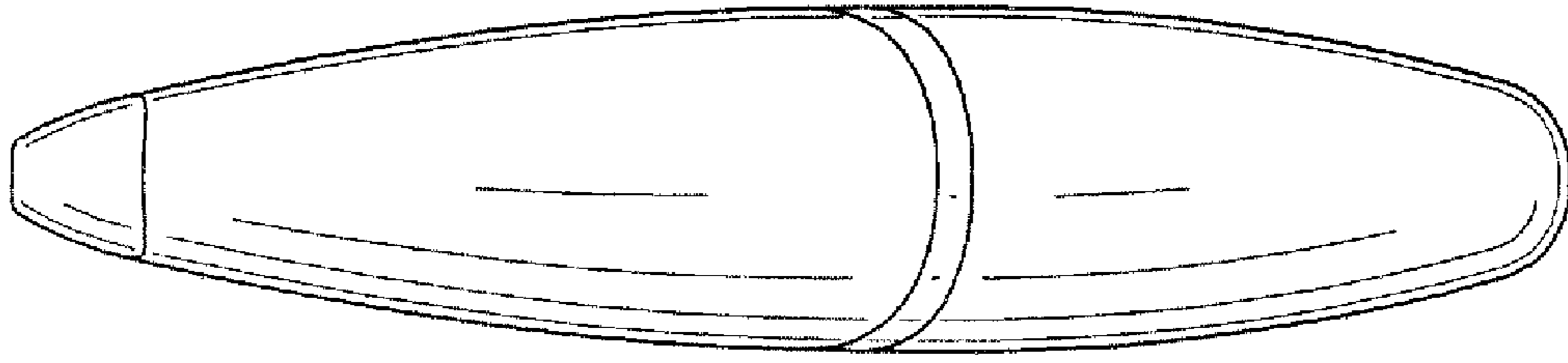


FIG. 4

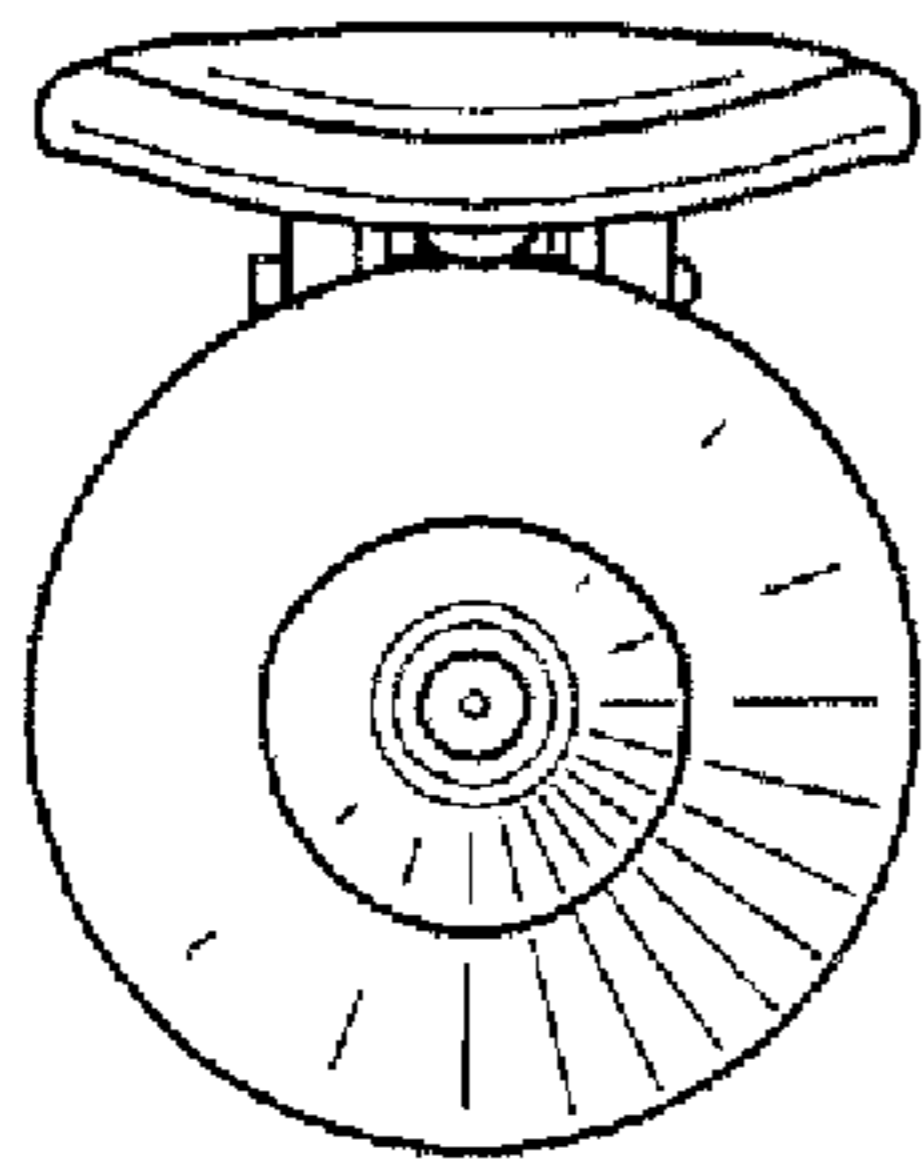


FIG. 5

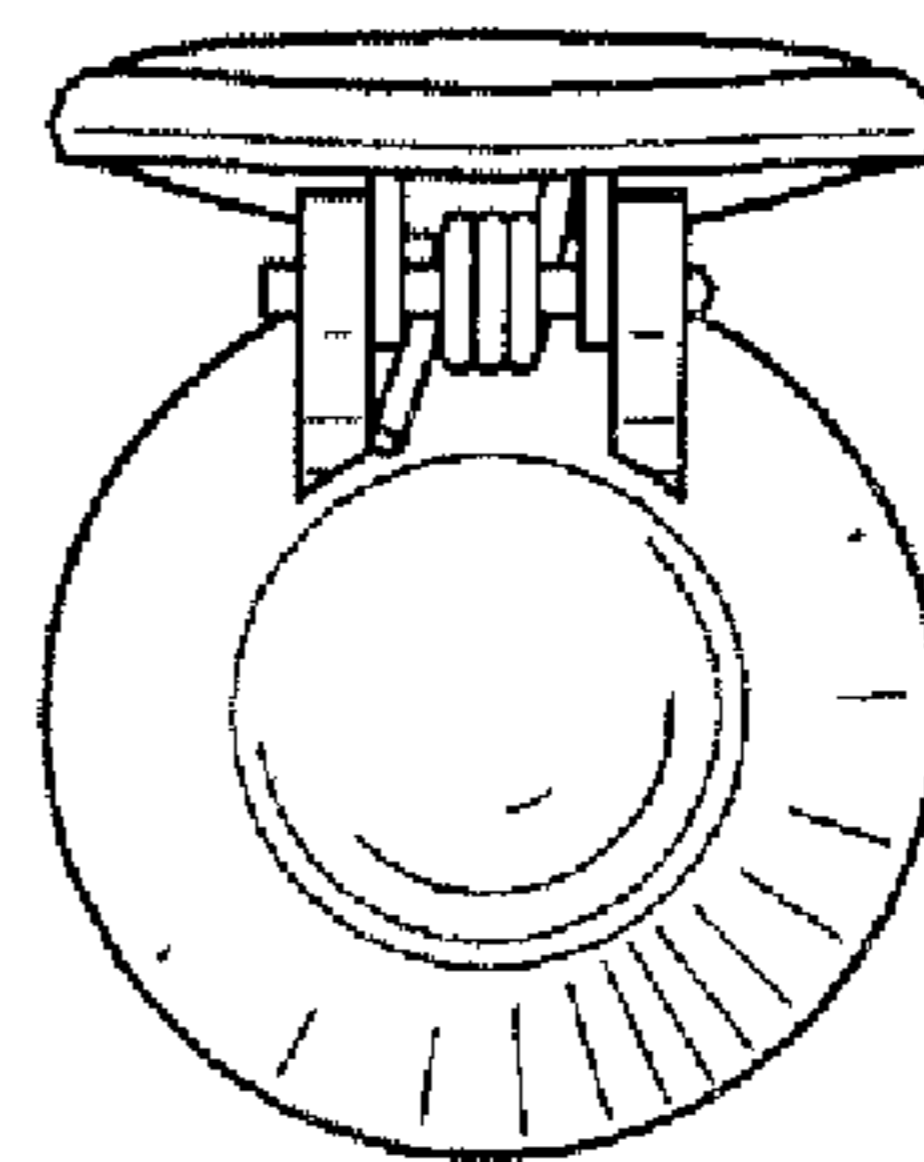


FIG. 6

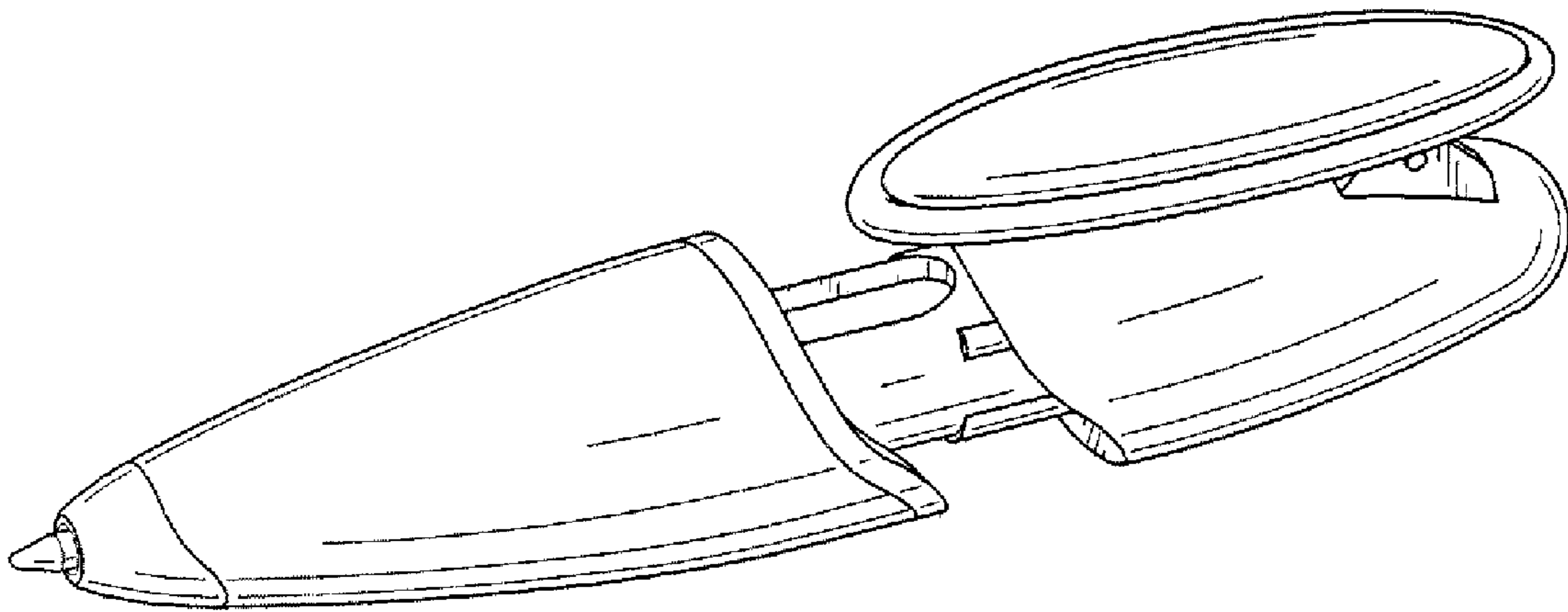


FIG. 7