



US00D552679S

(12) **United States Design Patent**
Cetera

(10) **Patent No.:** **US D552,679 S**

(45) **Date of Patent:** **** Oct. 9, 2007**

- (54) **PEN**
- (75) Inventor: **Carl Cetera**, Tenafly, NJ (US)
- (73) Assignee: **Cotapaxi Custom Design and Manufacturing, LLC**, Carlstady, NJ (US)
- (**) Term: **14 Years**
- (21) Appl. No.: **29/246,266**
- (22) Filed: **Mar. 28, 2006**
- (51) **LOC (8) Cl.** **19-06**
- (52) **U.S. Cl.** **D19/51**
- (58) **Field of Classification Search** D19/36,
D19/37, 41-51; 24/11 R, 11 F, 11 P; 401/52,
401/99, 100, 104, 105, 106, 107, 108, 109,
401/192, 195, 196
See application file for complete search history.

- D433,448 S * 11/2000 Rosenbaum D19/51
- D436,375 S * 1/2001 Rosenbaum D19/51
- D471,931 S * 3/2003 Lecce D19/51
- D472,579 S * 4/2003 Chiang D19/51
- D497,638 S * 10/2004 Chen D19/36
- D508,200 S * 8/2005 Cagle D9/434

* cited by examiner

Primary Examiner—Elizabeth A. Albert
(74) *Attorney, Agent, or Firm*—The Soni Law Firm

(57) **CLAIM**

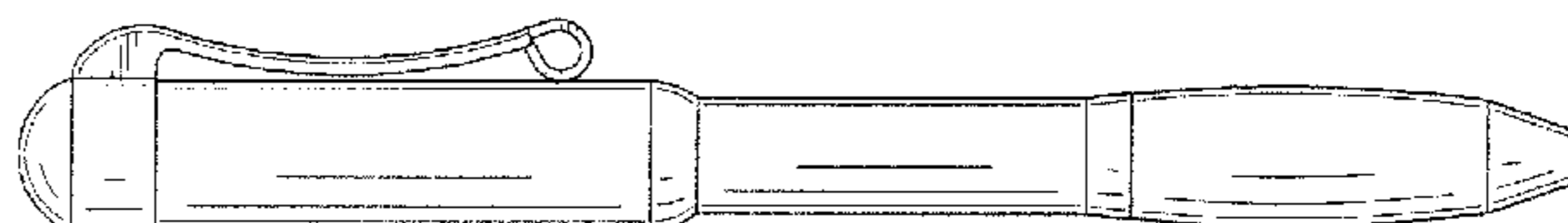
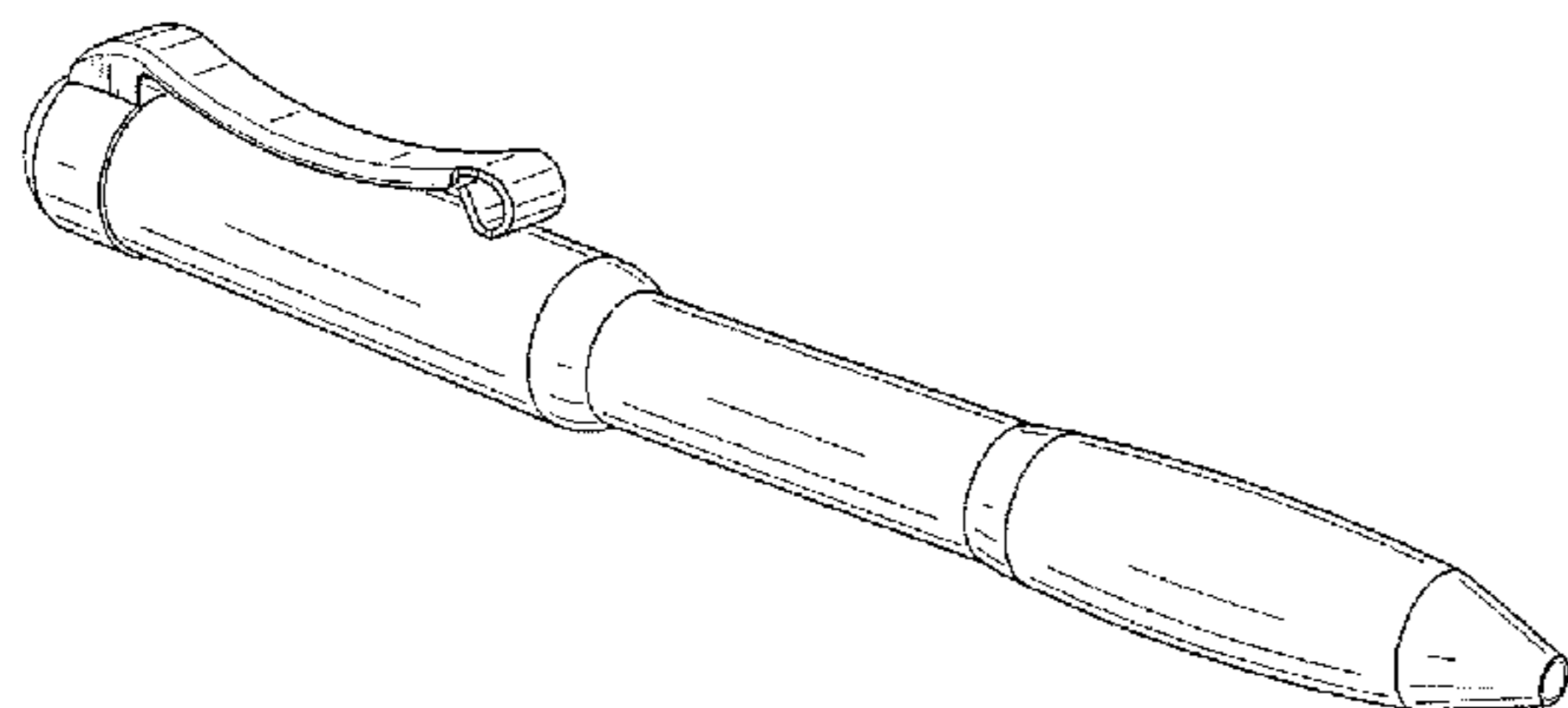
The ornamental design for a pen, as shown and described.

DESCRIPTION

FIG. 1 is a front side perspective view of a pen showing my new design;
FIG. 2 is a side elevational view thereof;
FIG. 3 is a front elevational view thereof;
FIG. 4 is a back elevational view thereof;
FIG. 5 is a bottom plan view thereof; and,
FIG. 6 is a top plan view thereof.

1 Claim, 2 Drawing Sheets

- (56) **References Cited**
- U.S. PATENT DOCUMENTS
- D364,641 S * 11/1995 Osterhout D19/36
- D413,145 S * 8/1999 Brescia et al. D19/51
- D433,447 S * 11/2000 Rosenbaum D19/51



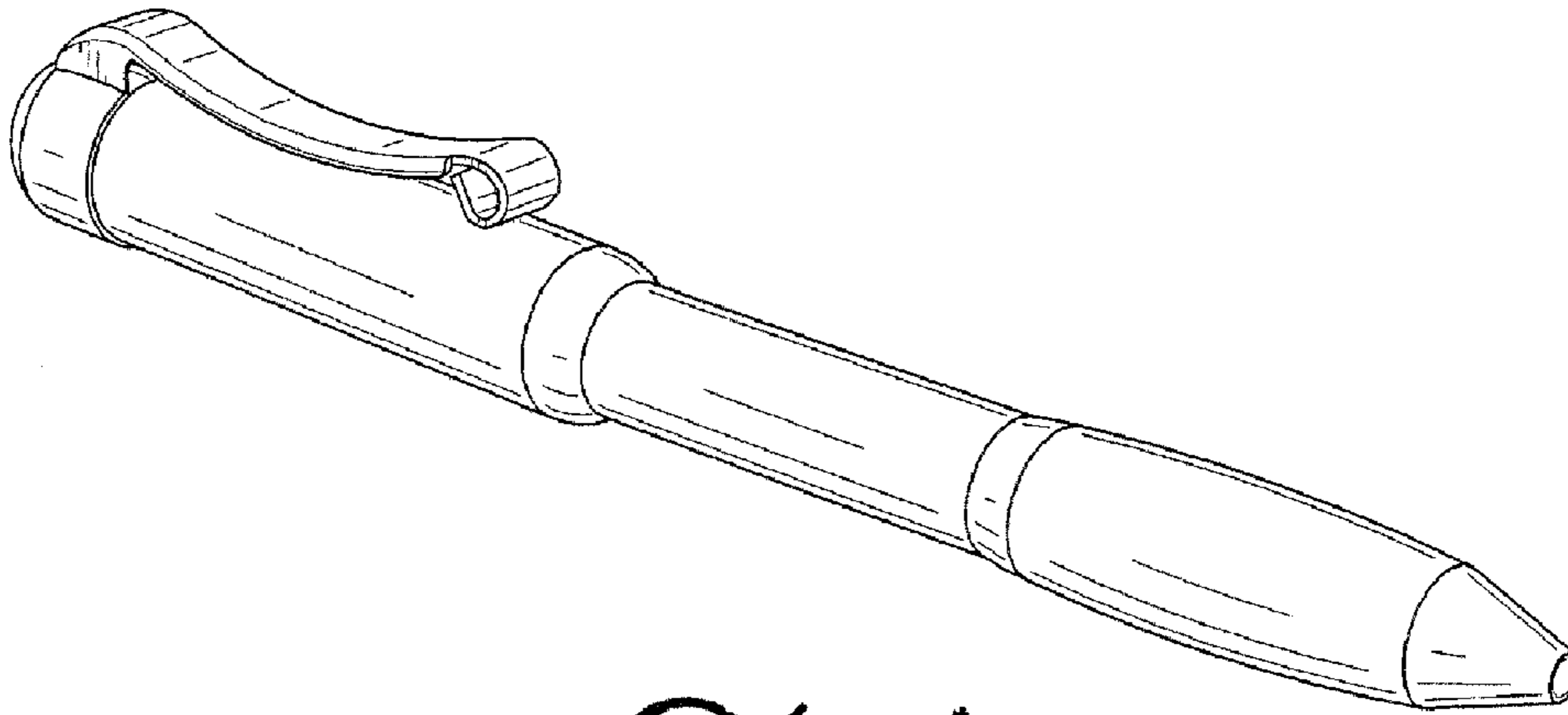


FIG. 1

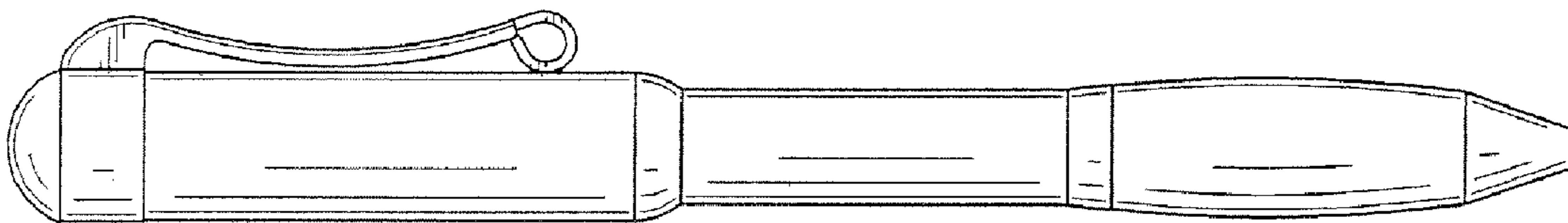


FIG. 2

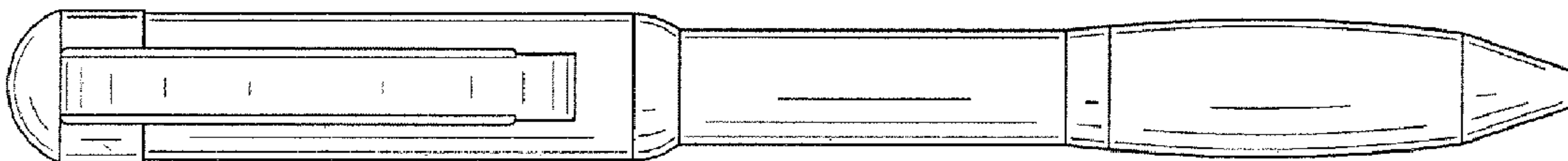


FIG. 3

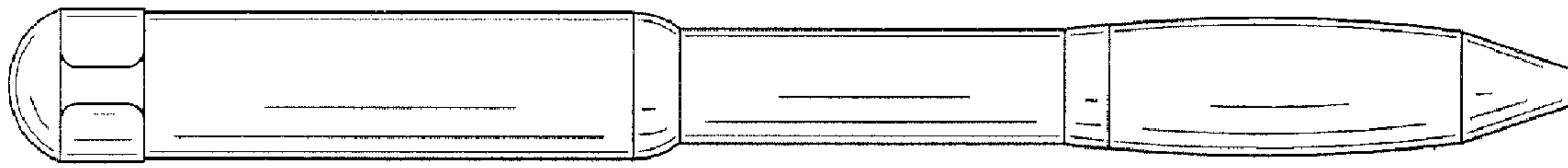


FIG. 4

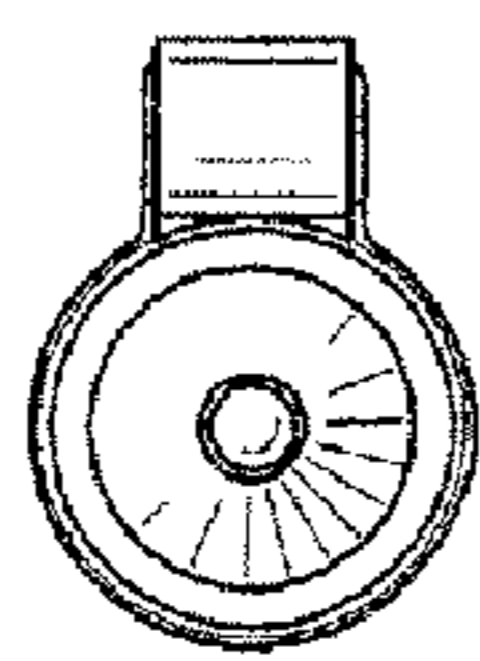


FIG. 5

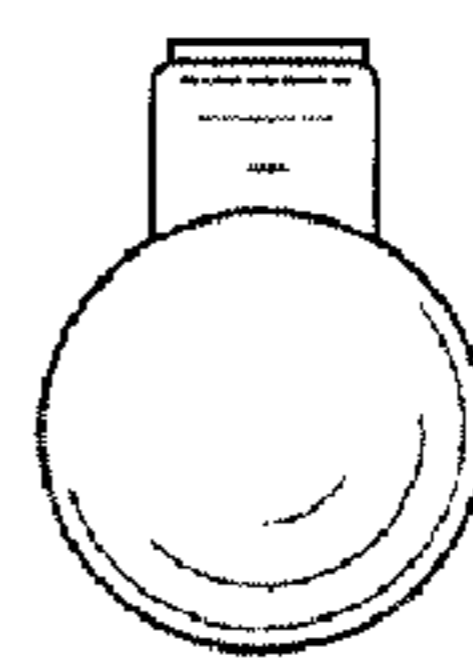


FIG. 6