



US00D552672S

(12) **United States Design Patent**
Haney

(10) **Patent No.:** **US D552,672 S**

(45) **Date of Patent:** **** Oct. 9, 2007**

(54) **INK TRAP**

(75) Inventor: **Sean Haney**, North Canton, OH (US)

(73) Assignee: **Diebold Self-Service Systems division of Diebold, Incorporated**, North Canton, OH (US)

(**) Term: **14 Years**

(21) Appl. No.: **29/242,124**

(22) Filed: **Nov. 3, 2005**

Related U.S. Application Data

(63) Continuation-in-part of application No. 29/201,130, filed on Mar. 10, 2004, now abandoned.

(51) **LOC (8) Cl.** **18-02**

(52) **U.S. Cl.** **D18/56; 347/36**

(58) **Field of Classification Search** D18/40, D18/43, 56; 347/29, 36, 86, 87, 73
See application file for complete search history.

(56) **References Cited**

U.S. PATENT DOCUMENTS

D375,756 S * 11/1996 Murray et al. D18/56

5,774,142 A *	6/1998	Nguyen et al.	347/36
6,220,314 B1 *	4/2001	Sato	347/36
6,357,853 B1 *	3/2002	Askren et al.	347/36
6,481,827 B2 *	11/2002	Yearout	347/36
6,629,750 B2 *	10/2003	Ciordia	347/36
6,637,859 B2 *	10/2003	Williamson et al.	347/36
2005/0018009 A1 *	1/2005	Otsubo	347/36

* cited by examiner

Primary Examiner—Cathy Anne MacCormac

(74) *Attorney, Agent, or Firm*—Ralph E. Jocke; Daniel D. Wasil; Walker & Jocke

(57) **CLAIM**

I claim the ornamental design for an ink trap, as shown.

DESCRIPTION

FIG. 1 is a top right perspective view of the ink trap,

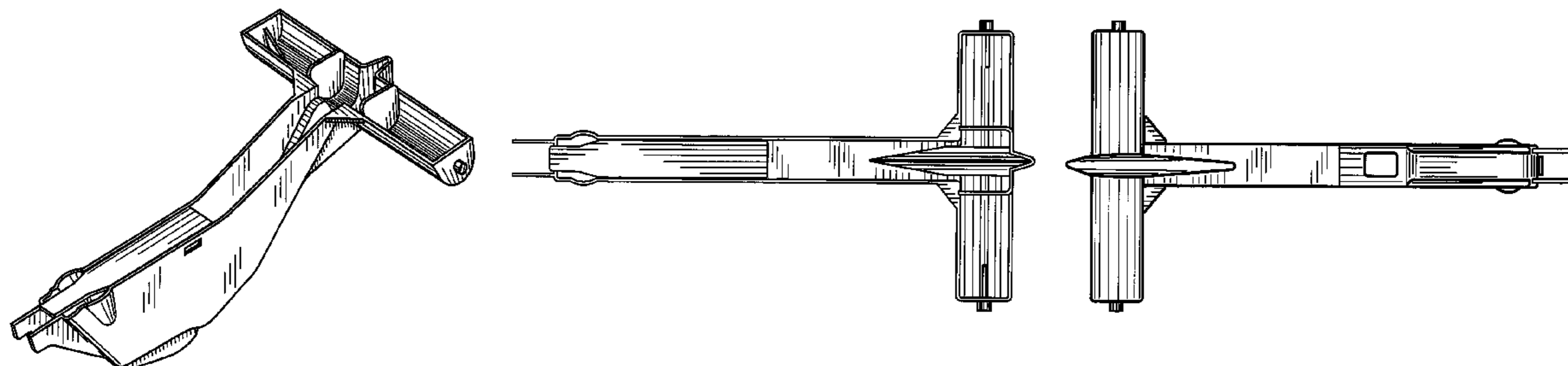
FIG. 2 is a top view thereof,

FIG. 3 is a right side view thereof,

FIG. 4 is a left side view thereof; and,

FIG. 5 is a bottom view thereof.

1 Claim, 3 Drawing Sheets



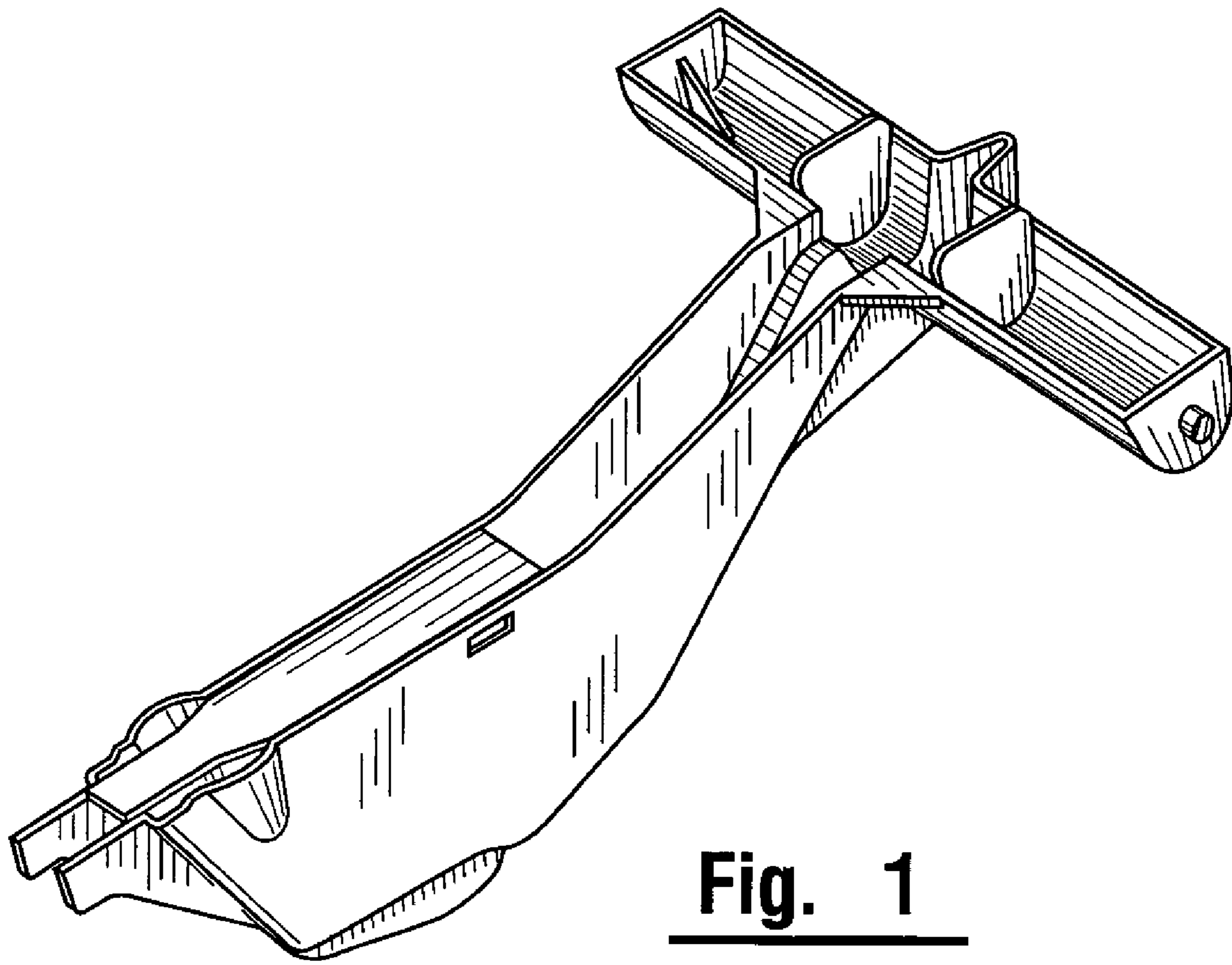


Fig. 1

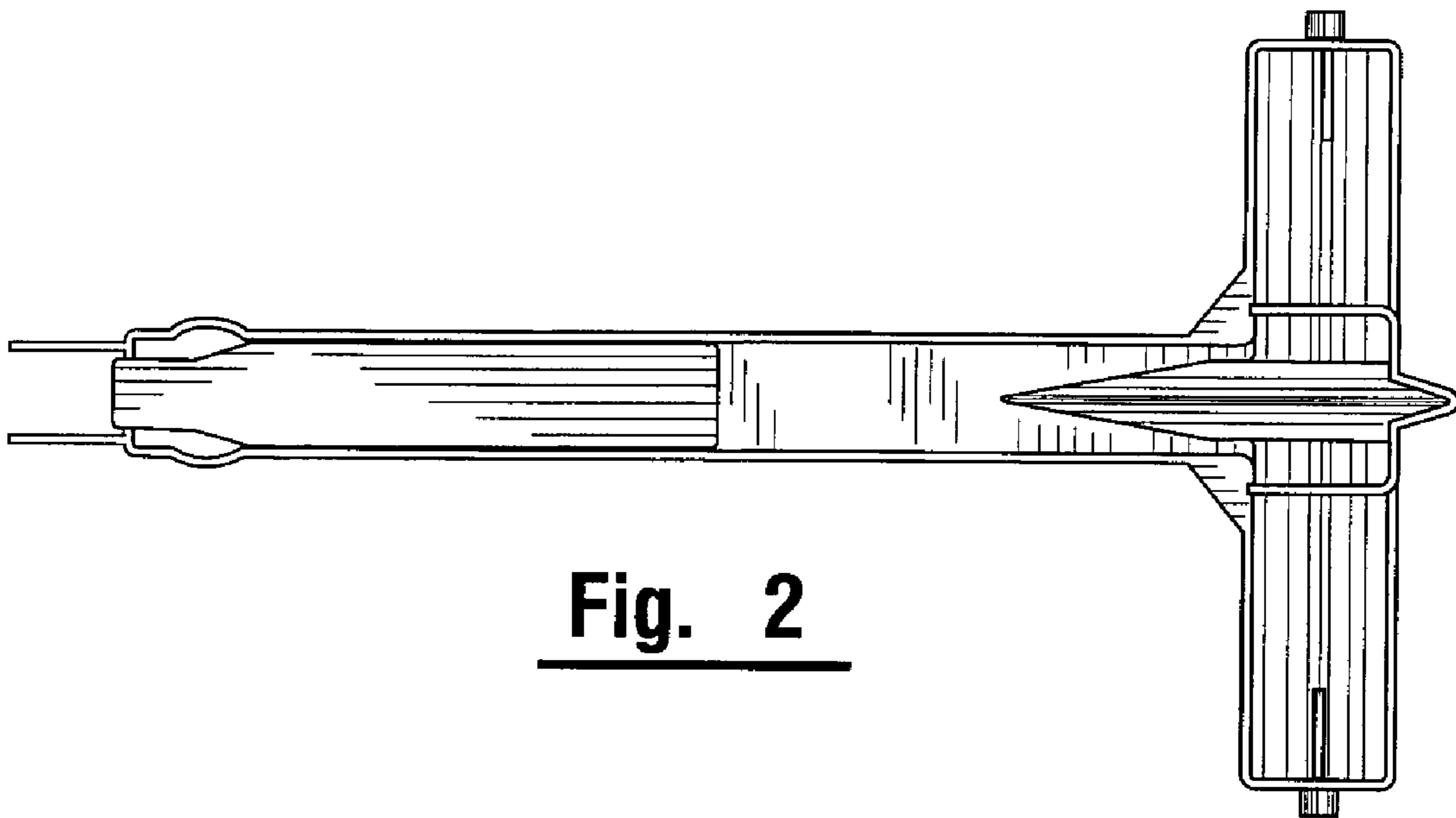


Fig. 2

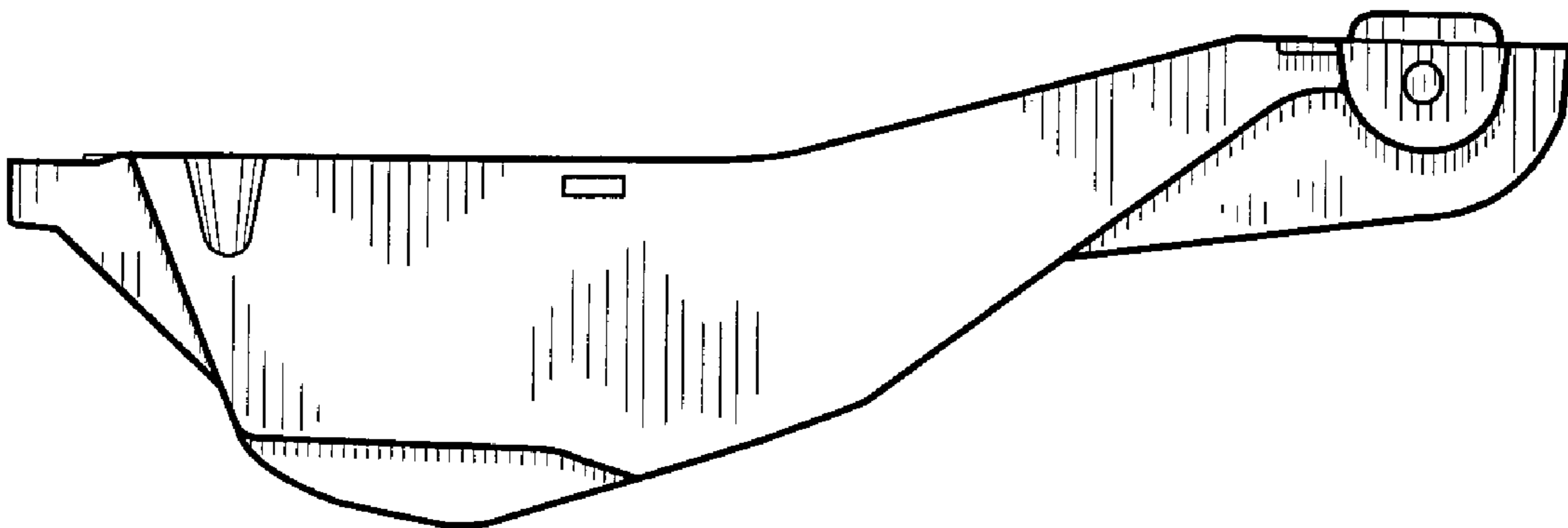


Fig. 3

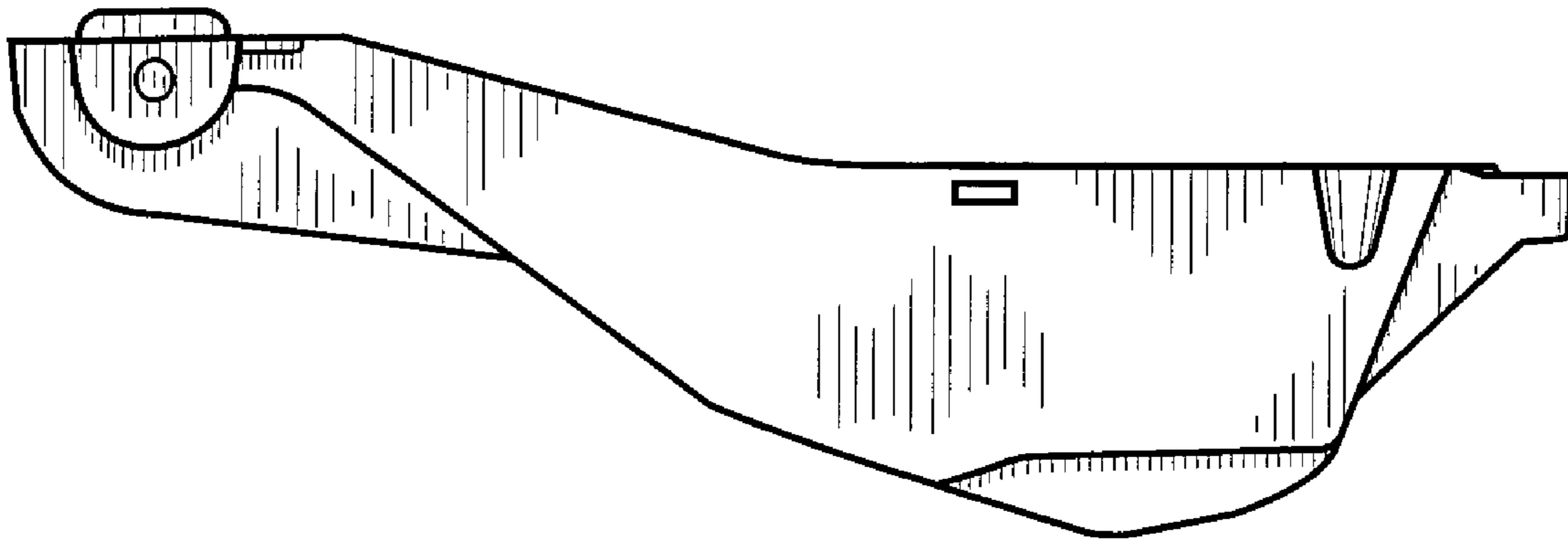


Fig. 4

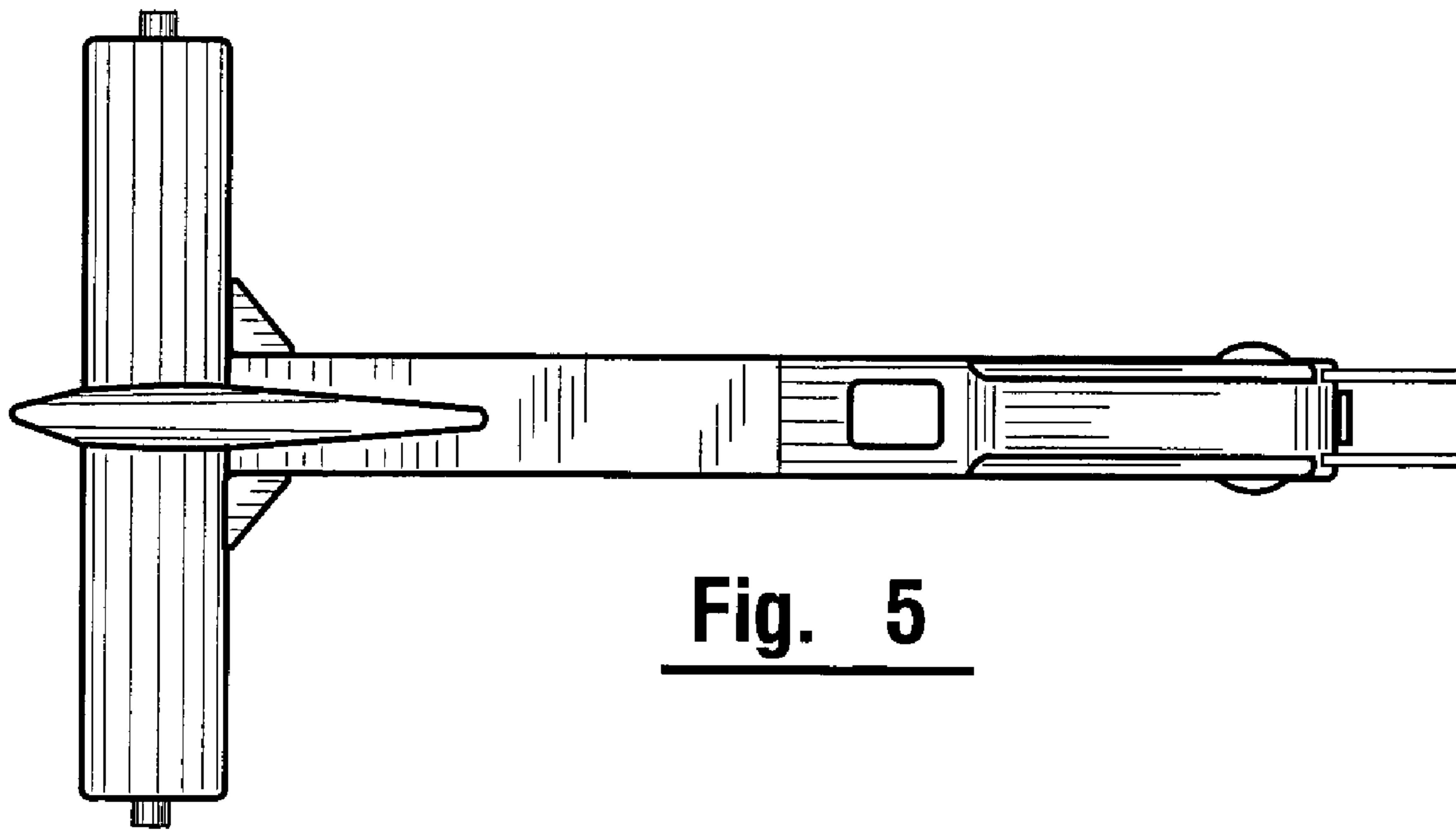


Fig. 5