



US00D552671S

(12) **United States Design Patent** (10) **Patent No.:** **US D552,671 S**
Uemura et al. (45) **Date of Patent:** **** Oct. 9, 2007**

(54) **PORTION OF A TONER CONTAINER**

(75) Inventors: **Kenichi Uemura**, Toyohashi (JP);
Takako Hayashi, Toyokawa (JP);
Hiroshi Ibaraki, Okazaki (JP)

(73) Assignee: **Konica Minolta Business Technologies, Inc.**, Chiyoda-Ku, Tokyo (JP)

(**) Term: **14 Years**

(21) Appl. No.: **29/222,772**

(22) Filed: **Feb. 4, 2005**

(30) **Foreign Application Priority Data**

Aug. 5, 2004 (JP) 2004-023524

(51) **LOC (8) Cl.** **16-03**

(52) **U.S. Cl.** **D18/43**

(58) **Field of Classification Search** D18/12,
D18/36, 40, 43, 44, 56; D14/462, 469-471;
222/DIG. 1; 347/197, 222; 399/24-28,
399/107-112, 119, 121, 122, 222-224; 400/207;
D8/300, 303, 306, 312, 321, 322
See application file for complete search history.

(56) **References Cited**

U.S. PATENT DOCUMENTS

4,583,832	A *	4/1986	Kasamura et al.	399/119
4,963,928	A *	10/1990	Yoshiura	399/111
5,708,922	A *	1/1998	Azuma et al.	399/111
5,832,343	A *	11/1998	Kobayashi et al.	399/119
D422,626	S *	4/2000	Kurosawa et al.	D18/43
6,070,029	A *	5/2000	Nishiuwatoko et al.	399/111
D466,391	S *	12/2002	Votruba et al.	D8/306
6,493,527	B1 *	12/2002	Higeta et al.	399/111
D477,631	S *	7/2003	Mori et al.	D18/40
D479,263	S *	9/2003	Batori et al.	D18/40
6,728,500	B2 *	4/2004	Naito et al.	399/113
D489,753	S *	5/2004	Batori et al.	D18/40
D508,074	S *	8/2005	Batori et al.	D18/40
6,937,832	B2 *	8/2005	Sato et al.	399/111

2003/0086723	A1 *	5/2003	Yamaguchi et al.	399/119
2005/0129444	A1 *	6/2005	Igi et al.	400/207
2005/0169664	A1 *	8/2005	Arimitsu et al.	399/111

OTHER PUBLICATIONS

EPSON Brochure.
Photos of EPSON product.

* cited by examiner

Primary Examiner—Robert M. Spear
Assistant Examiner—Garth Rademaker

(74) *Attorney, Agent, or Firm*—Buchanan Ingersoll & Rooney PC

(57) **CLAIM**

The ornamental design for portion of a toner container, as shown and described.

DESCRIPTION

FIG. 1 is a front perspective view portion of a toner container showing our new design;

FIG. 2 is a rear perspective view thereof;

FIG. 3 is a front elevational view thereof;

FIG. 4 is a rear elevational view thereof;

FIG. 5 is a top plan view thereof;

FIG. 6 is a bottom plan view thereof;

FIG. 7 is a right side elevational view thereof;

FIG. 8 is a left side elevational view thereof;

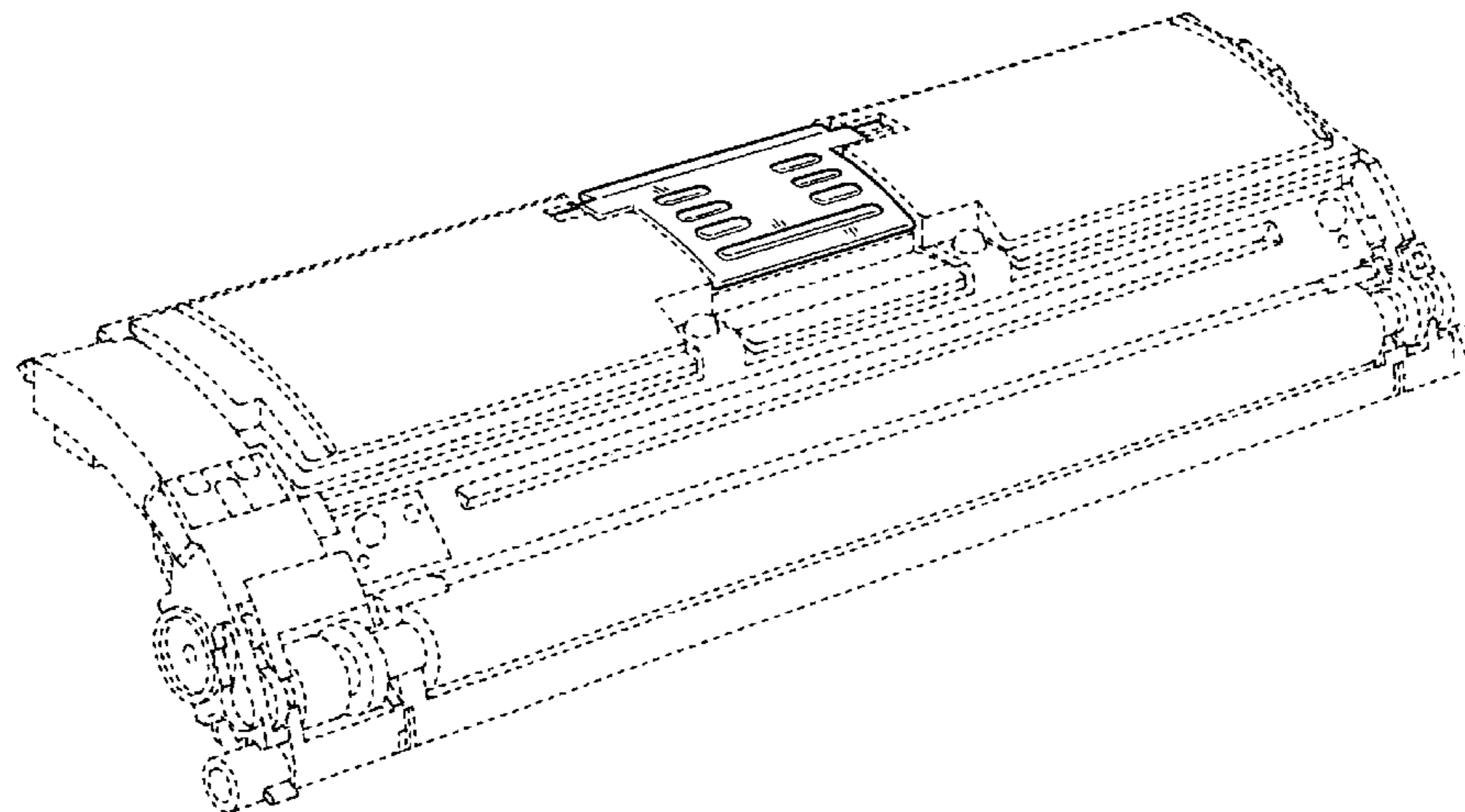
FIG. 9 is a front perspective view thereof, showing an alternate position of use;

FIG. 10 is a rear perspective view thereof, showing an alternate position of use; and,

FIG. 11 is a front elevational view thereof, showing an alternate position of use.

The broken line showing of portions of the toner cartridge is for illustrational purposes only and forms no part of the claimed design.

1 Claim, 10 Drawing Sheets



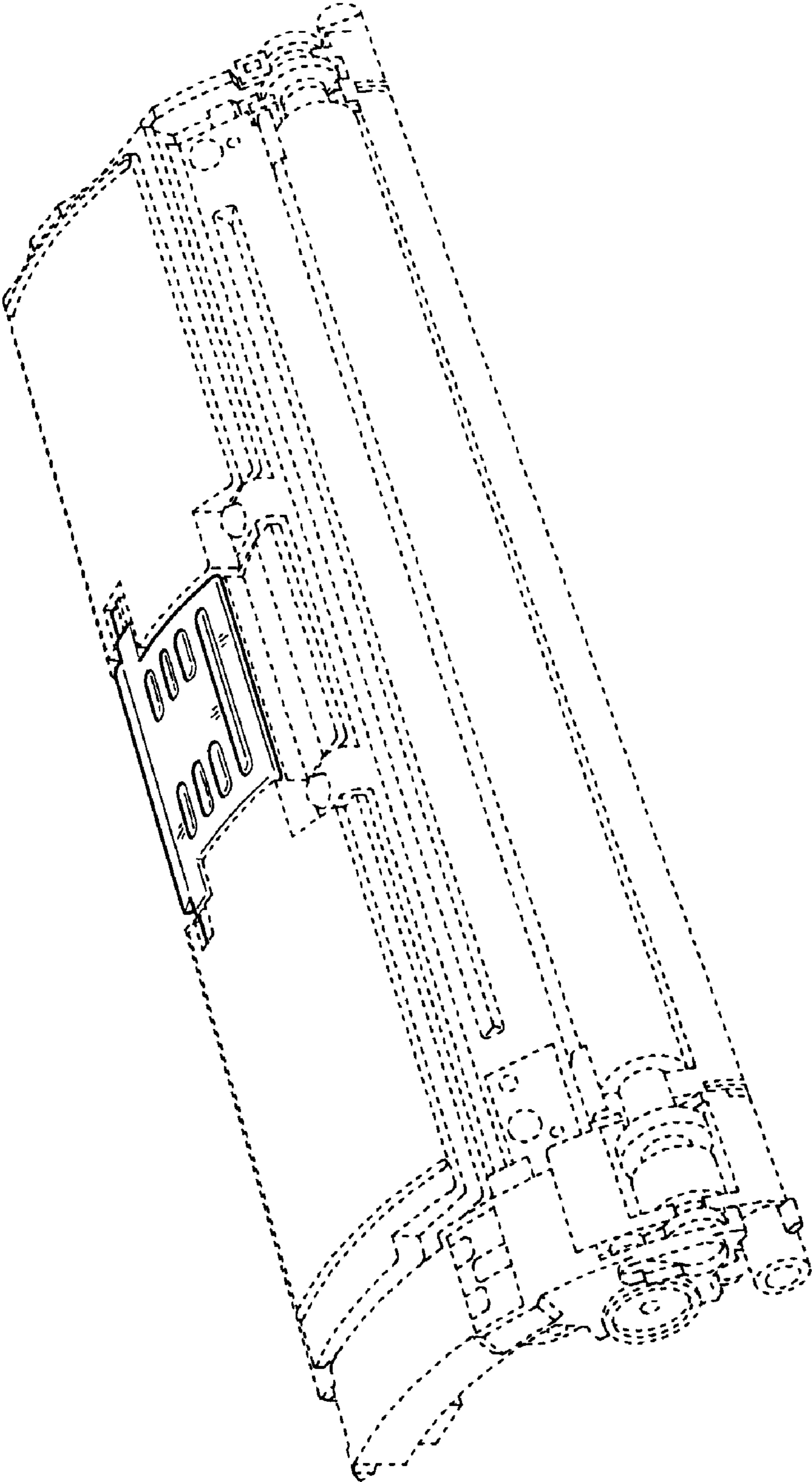
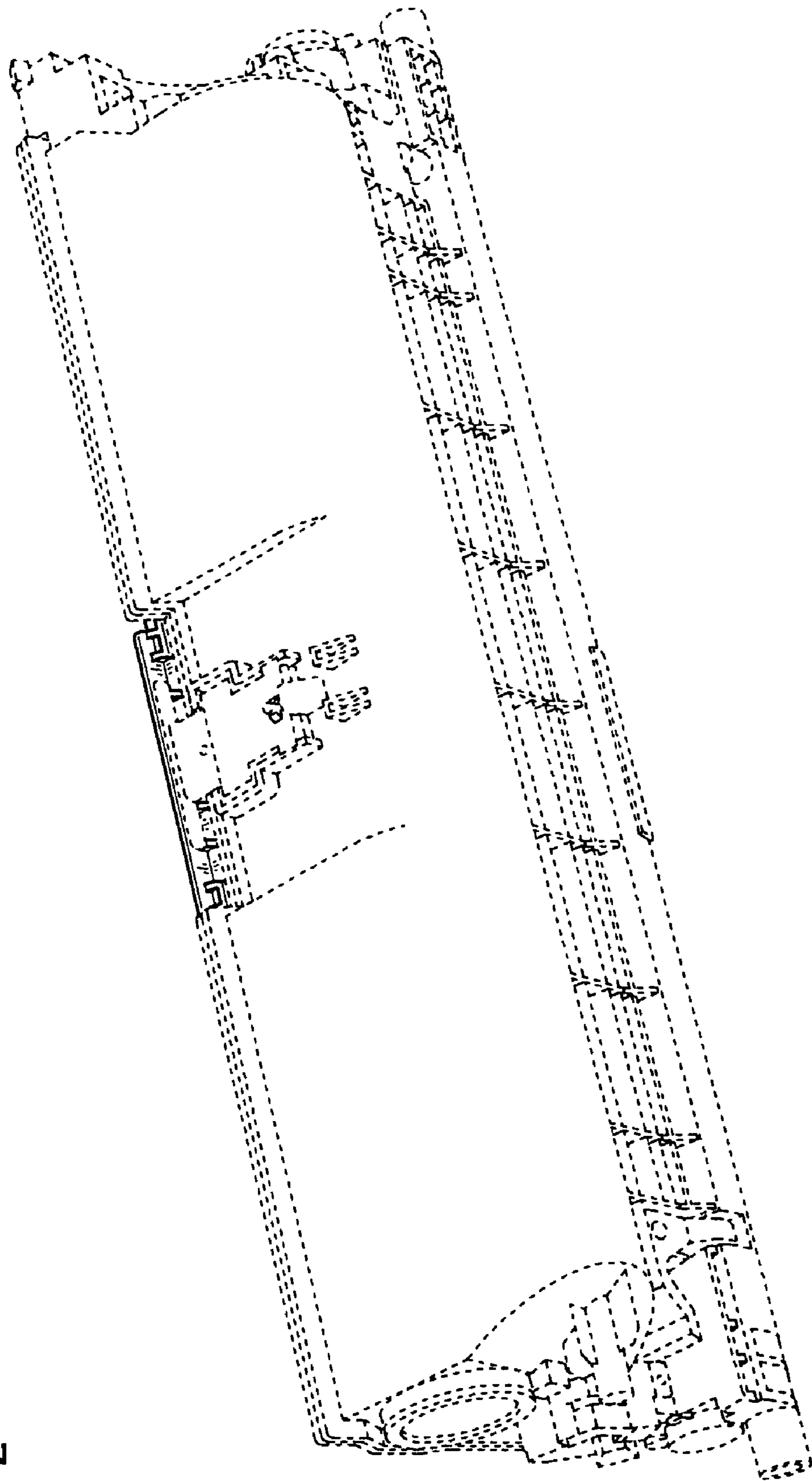


Fig. 1

Fig. 2



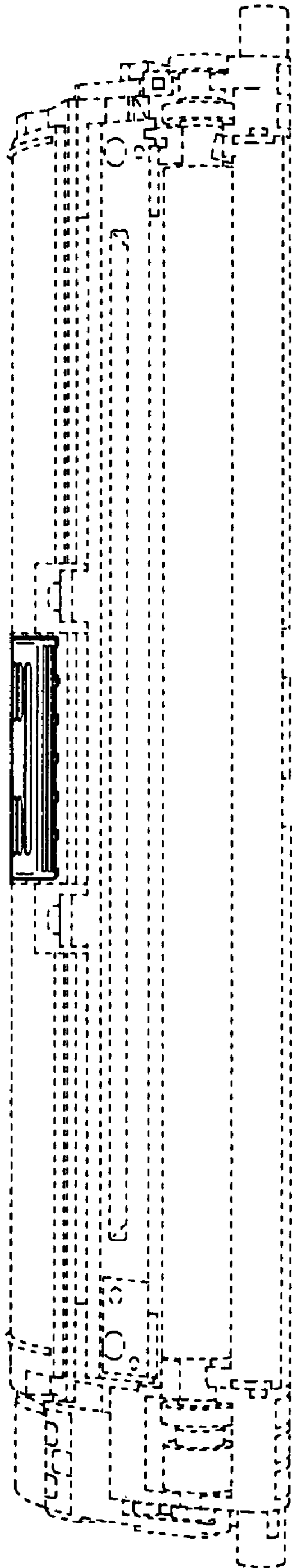


Fig. 3

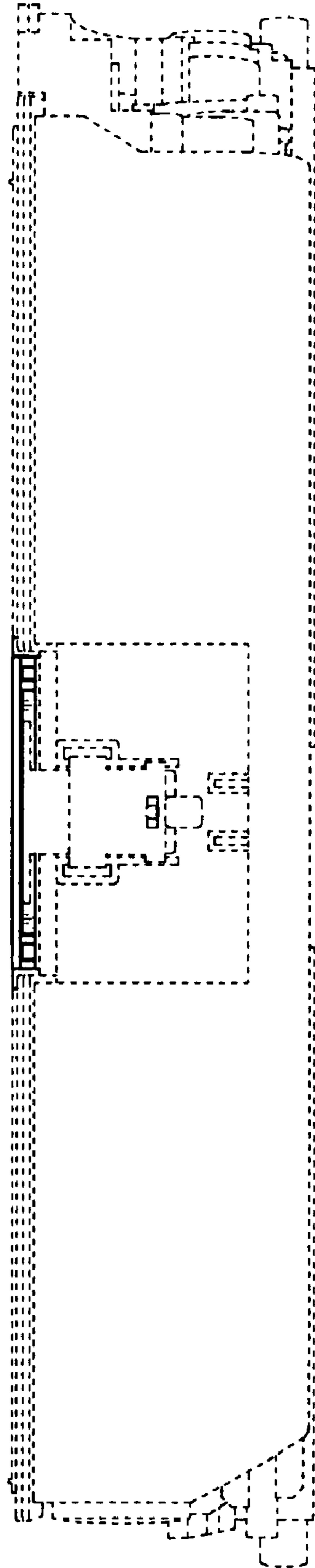


Fig. 4

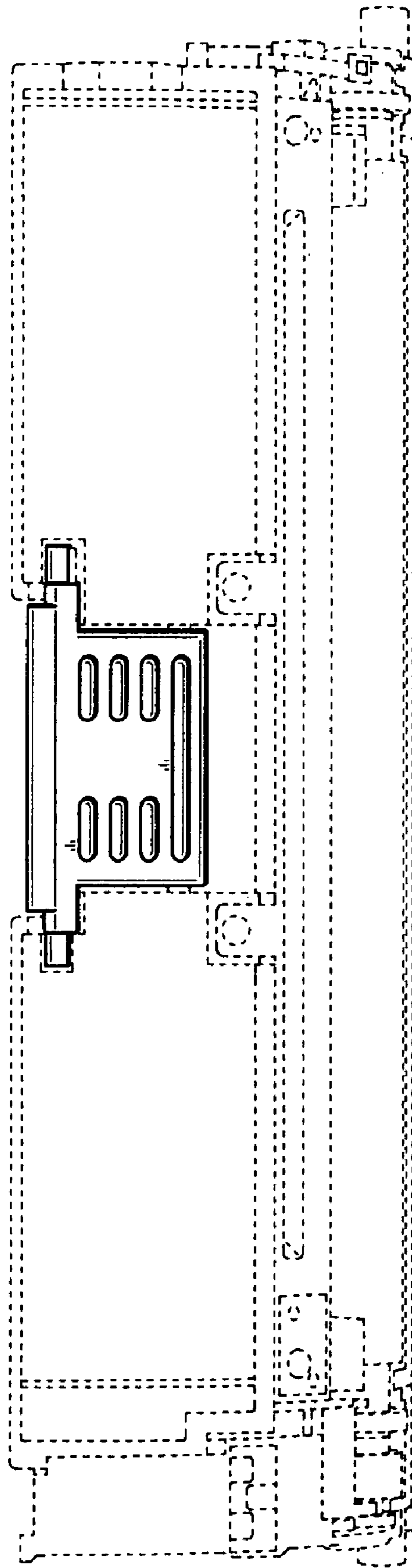


Fig. 5

Fig. 6

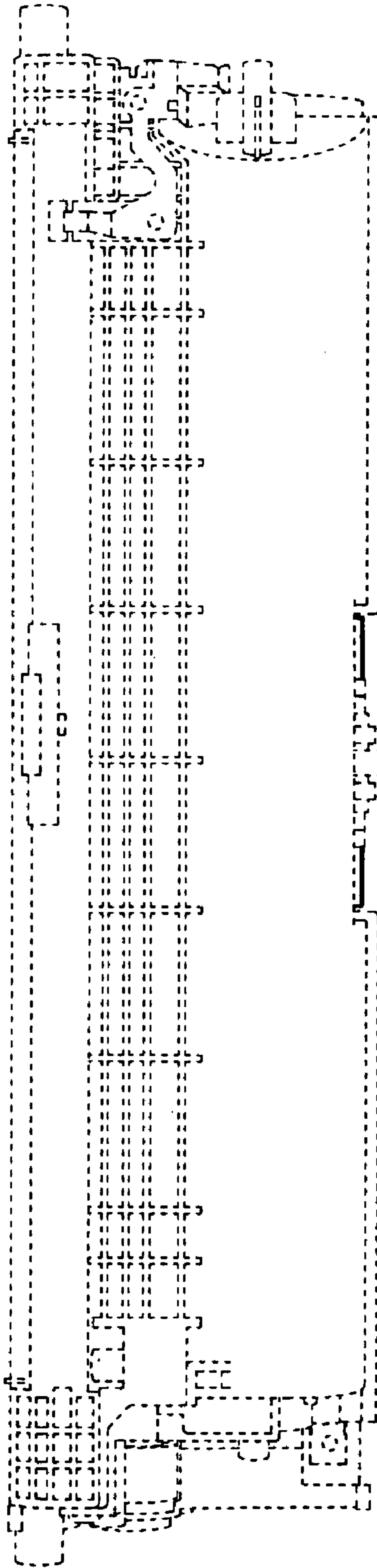


Fig. 8

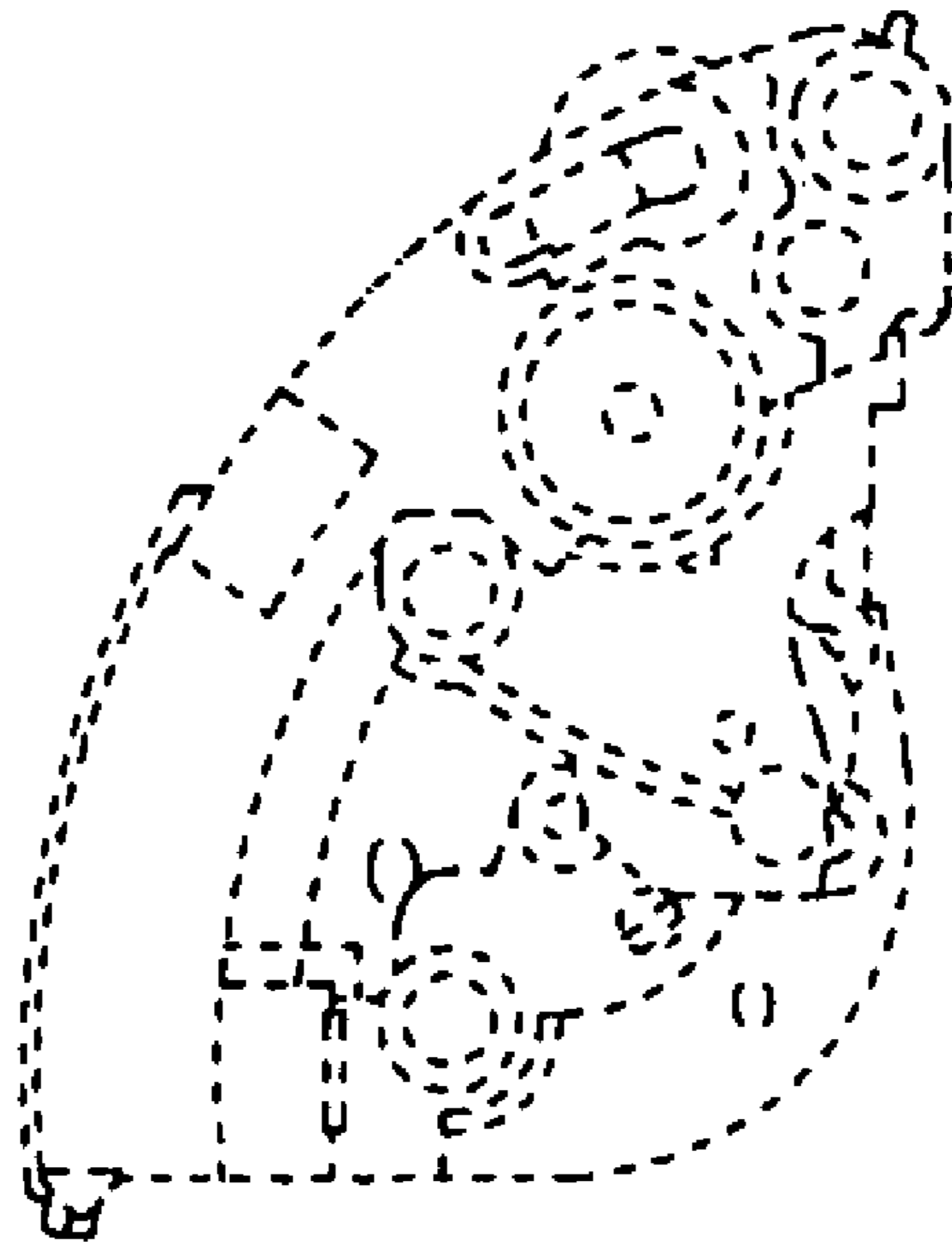
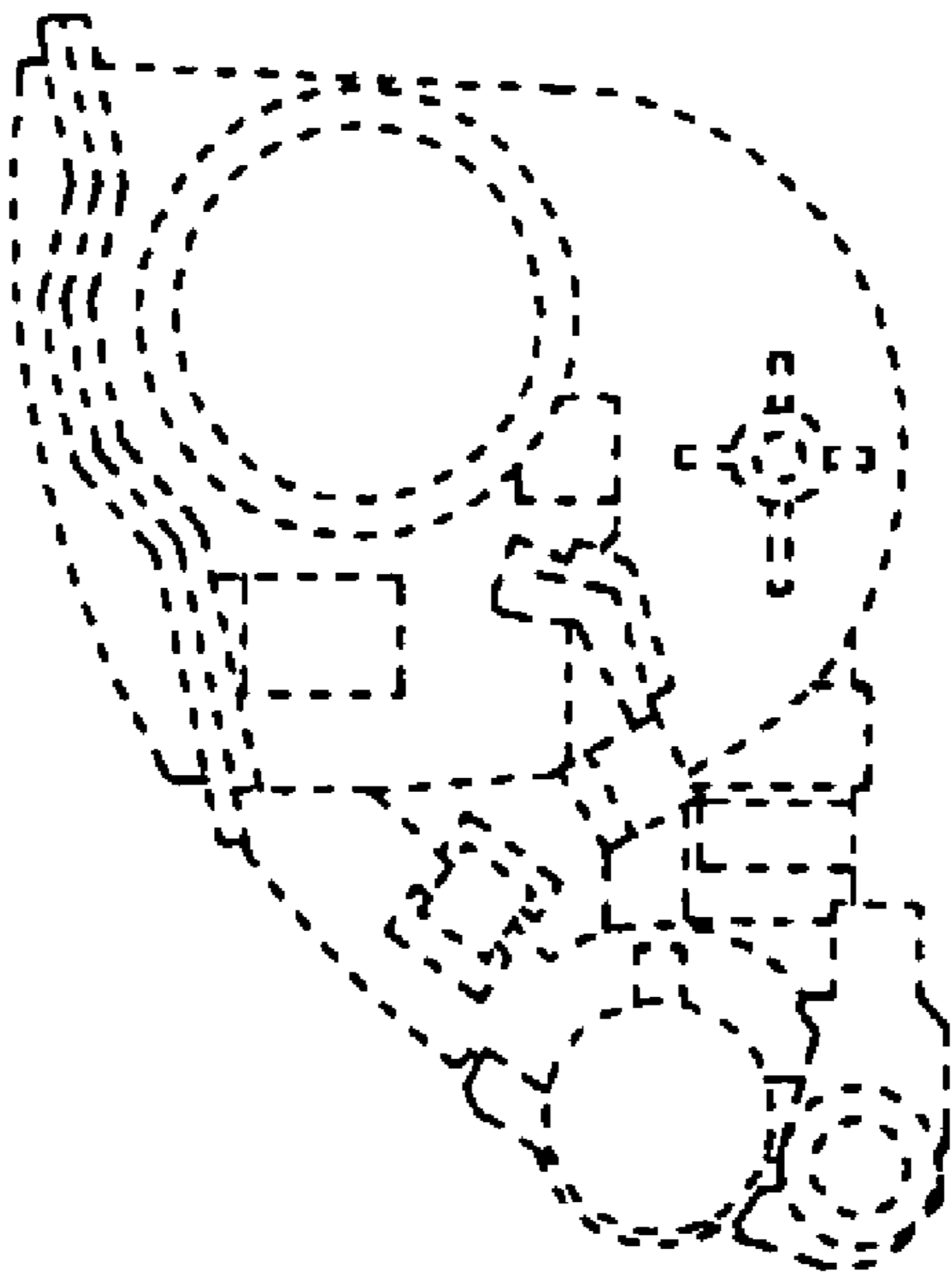


Fig. 7



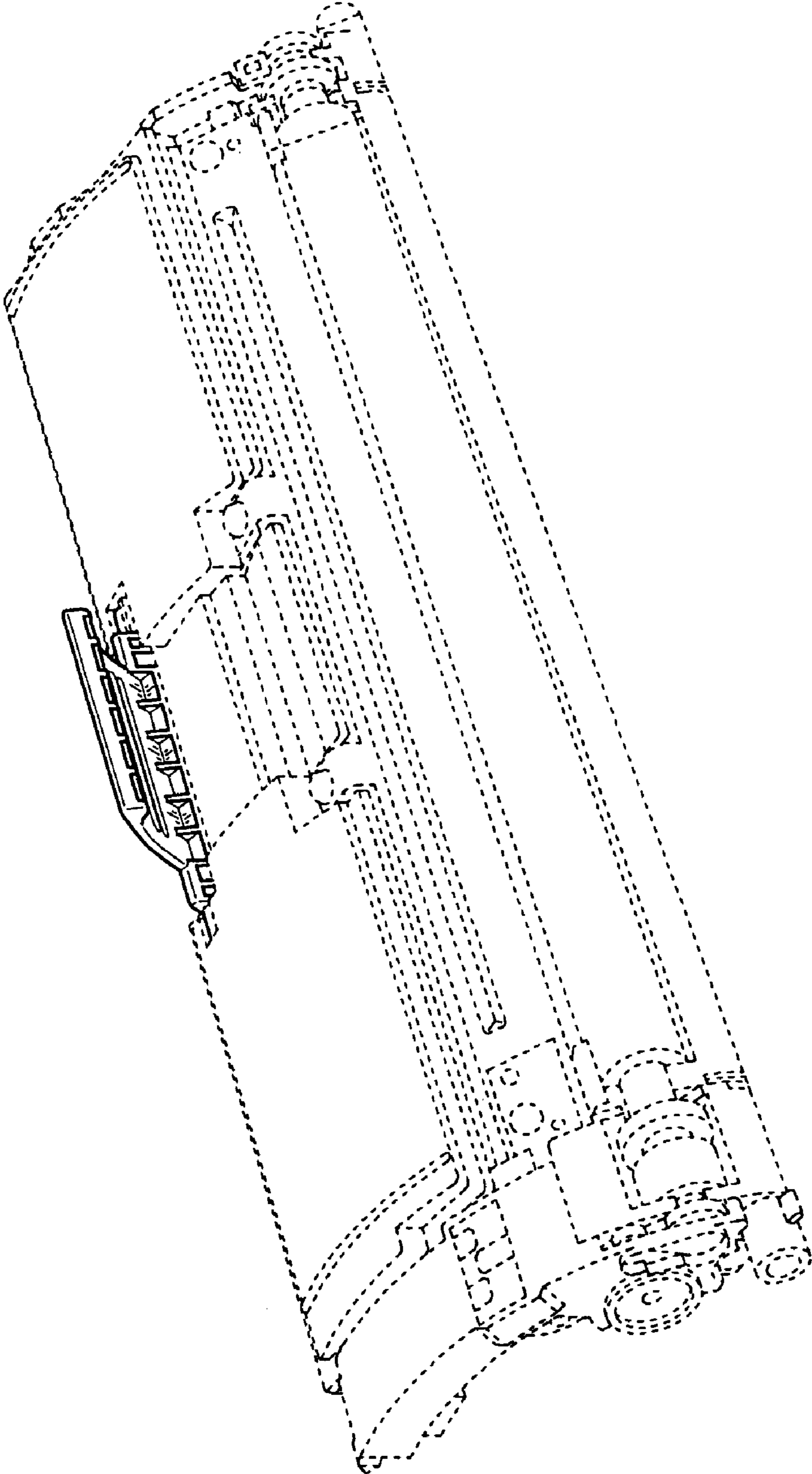


Fig. 9

Fig. 10

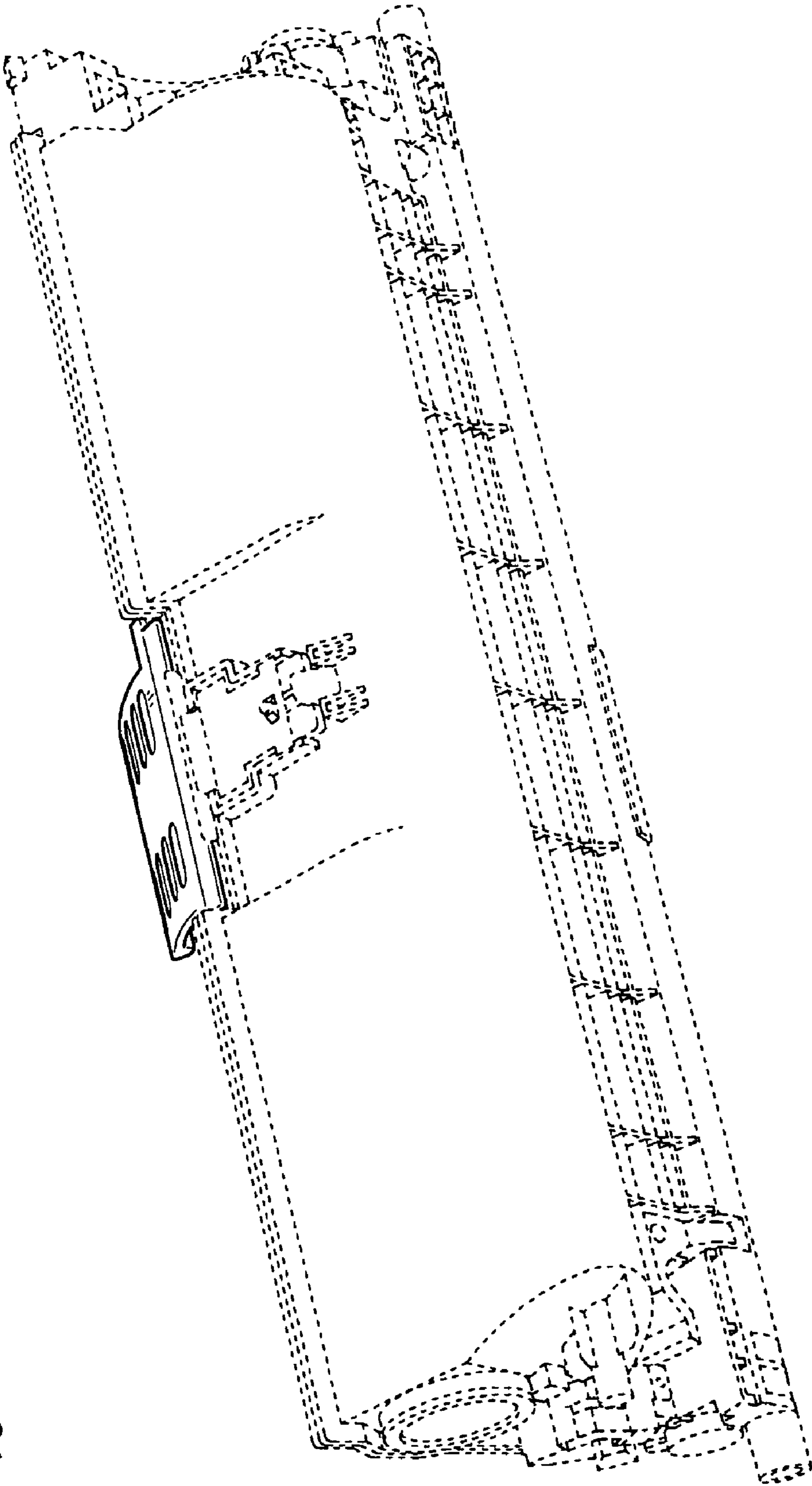


Fig. 11

