



US00D552670S

(12) **United States Design Patent**
Watanabe et al.

(10) **Patent No.:** **US D552,670 S**
(45) **Date of Patent:** **** Oct. 9, 2007**

(54) **COPYING MACHINE**

(75) Inventors: **Takamaro Watanabe**, Tokyo (JP);
Hiroaki Sugai, Tokyo (JP); **Ken-ichi Takahashi**, Tokyo (JP); **Satoshi Arai**, Tokyo (JP)

(73) Assignee: **Katsuragawa Denki Kabushiki Kaisha**, Tokyo (JP)

(**) Term: **14 Years**

(21) Appl. No.: **29/254,991**

(22) Filed: **Mar. 3, 2006**

(30) **Foreign Application Priority Data**

Nov. 22, 2005 (JP) 2005-034383

(51) **LOC (8) Cl.** **16-03**

(52) **U.S. Cl.** **D18/40; D18/41**

(58) **Field of Classification Search** D18/36-41;
222/DIG. 1; 271/3.14, 8.1, 226, 278; 355/97,
355/99; 358/1.1; 399/1-7, 16, 75, 81, 107,
399/130, 151, 361, 365, 367, 381-383, 388
See application file for complete search history.

(56) **References Cited**

U.S. PATENT DOCUMENTS

D323,085 S * 1/1992 Konkel D18/12
D392,303 S * 3/1998 Hern D16/225

D439,901 S * 4/2001 Ono et al. D14/375
D443,886 S * 6/2001 Kabumoto et al. D18/39
D458,958 S * 6/2002 Agata D18/39
D512,421 S * 12/2005 Brown et al. D14/341
2005/0163528 A1 * 7/2005 Rieck et al. 399/107

* cited by examiner

Primary Examiner—Robert M. Spear
Assistant Examiner—Garth Rademaker
(74) *Attorney, Agent, or Firm*—Wenderoth, Lind & Ponack, L.L.P.

(57) **CLAIM**

The ornamental design for a copying machine, as shown and described.

DESCRIPTION

FIG. 1 is a front elevation view of a copying machine in accordance with the present invention;

FIG. 2 is a back elevation view thereof;

FIG. 3 is a top plan view thereof;

FIG. 4 is a bottom plan view thereof;

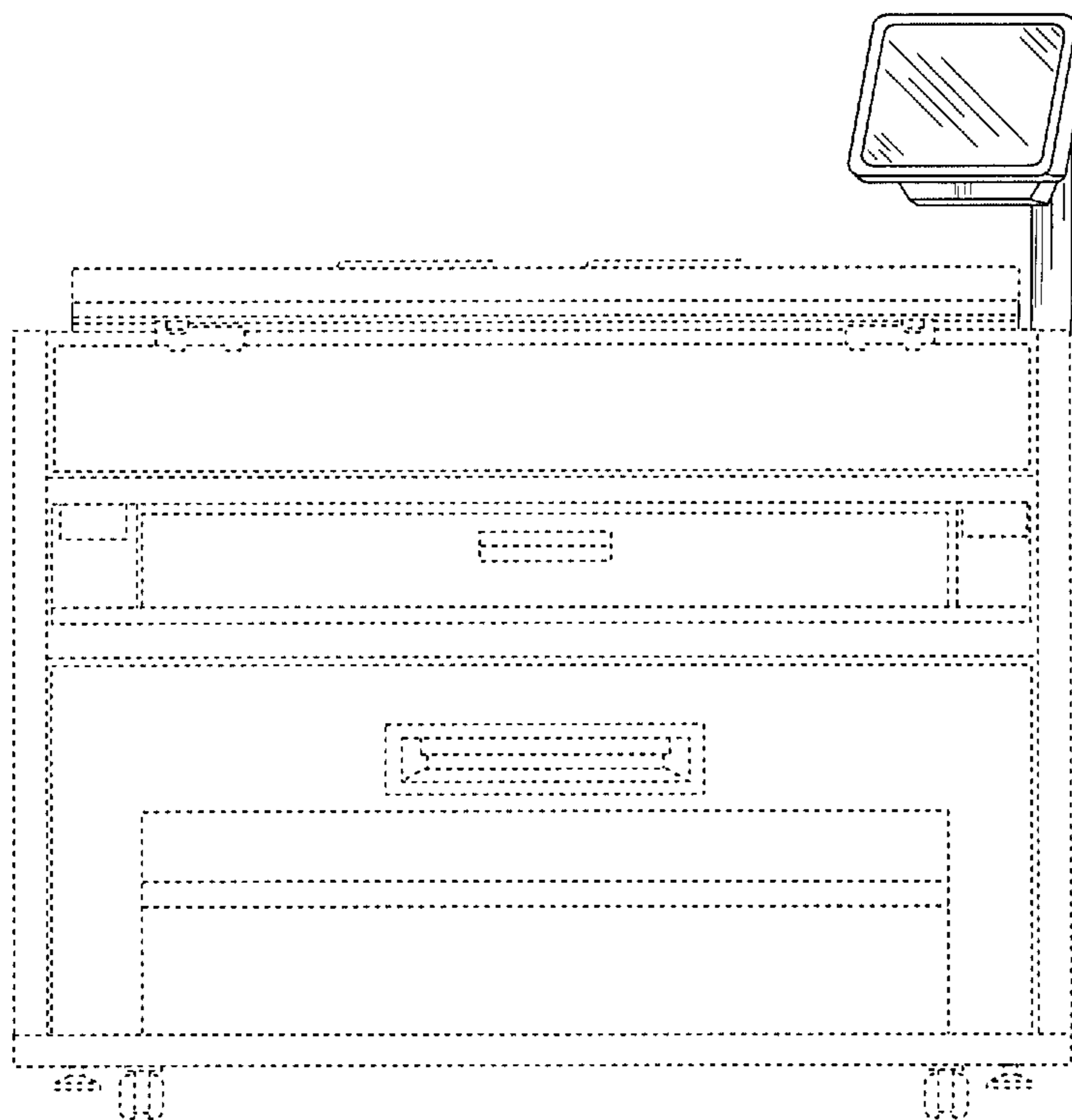
FIG. 5 is a right side elevation view thereof;

FIG. 6 is a left side elevation view thereof; and,

FIG. 7 is a perspective view thereof.

The broken lines in the drawings are included for illustrative purposes only and form no part of the claimed design.

1 Claim, 7 Drawing Sheets



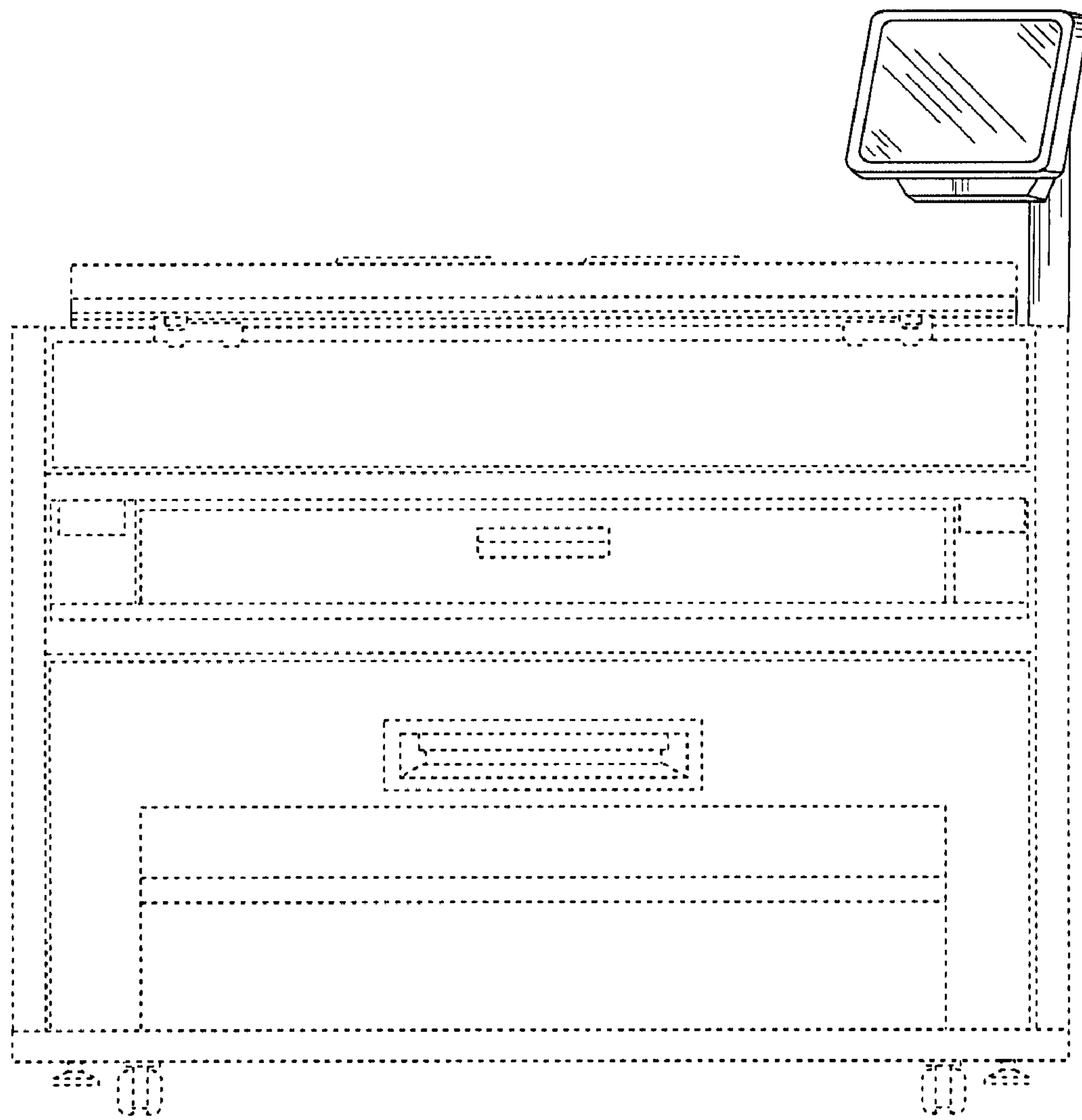


FIG. 1

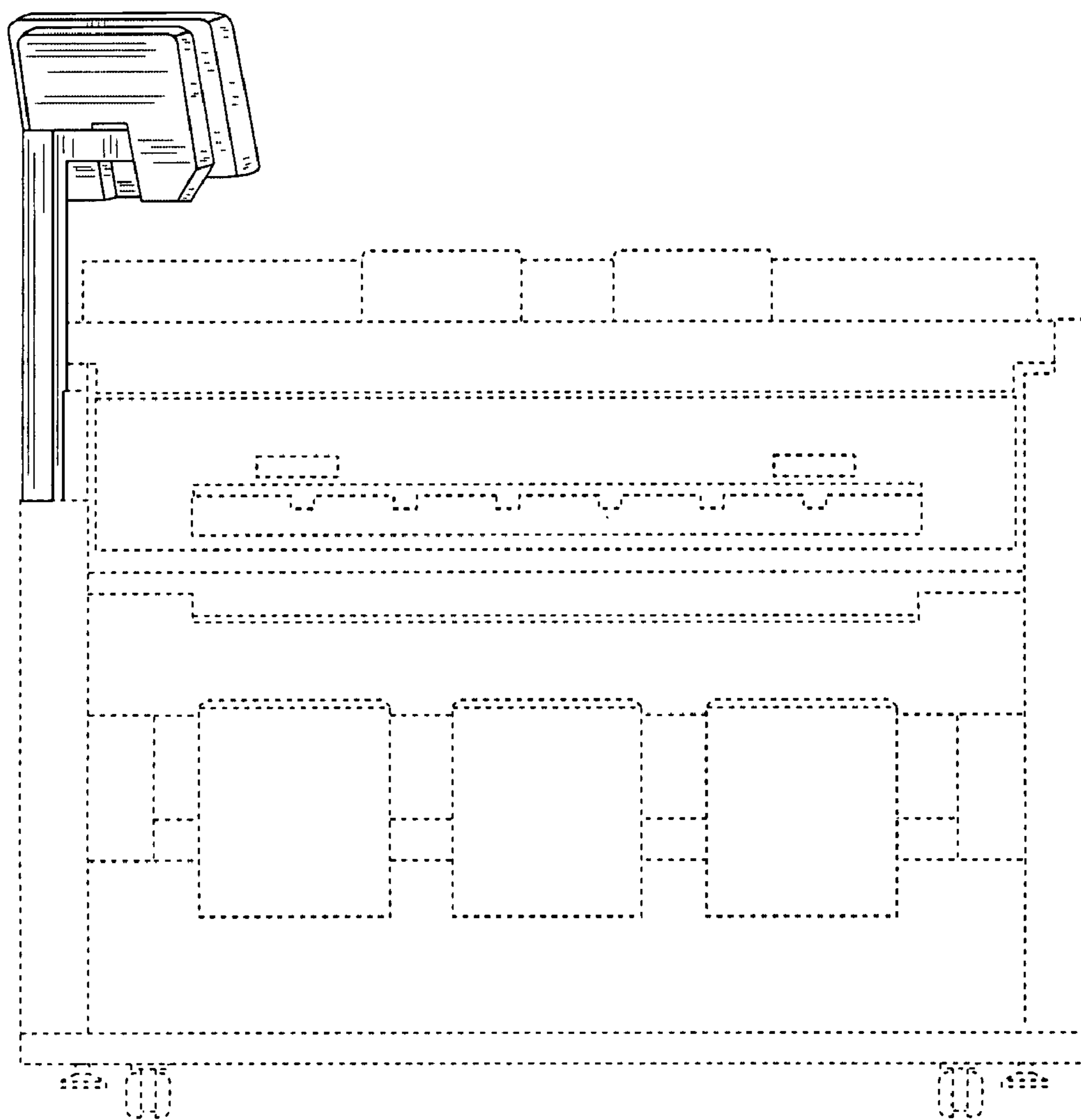


FIG. 2

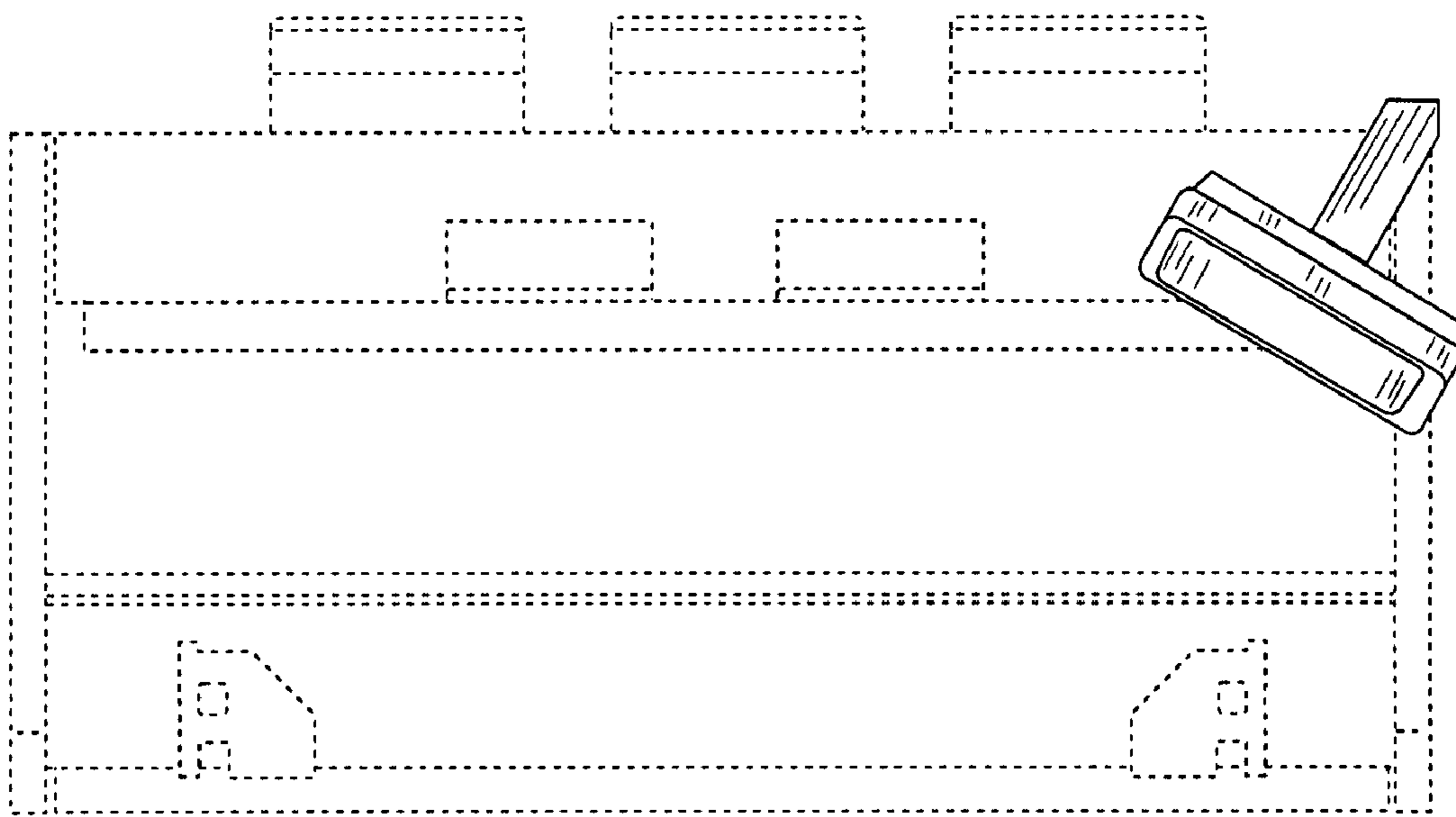


FIG. 3

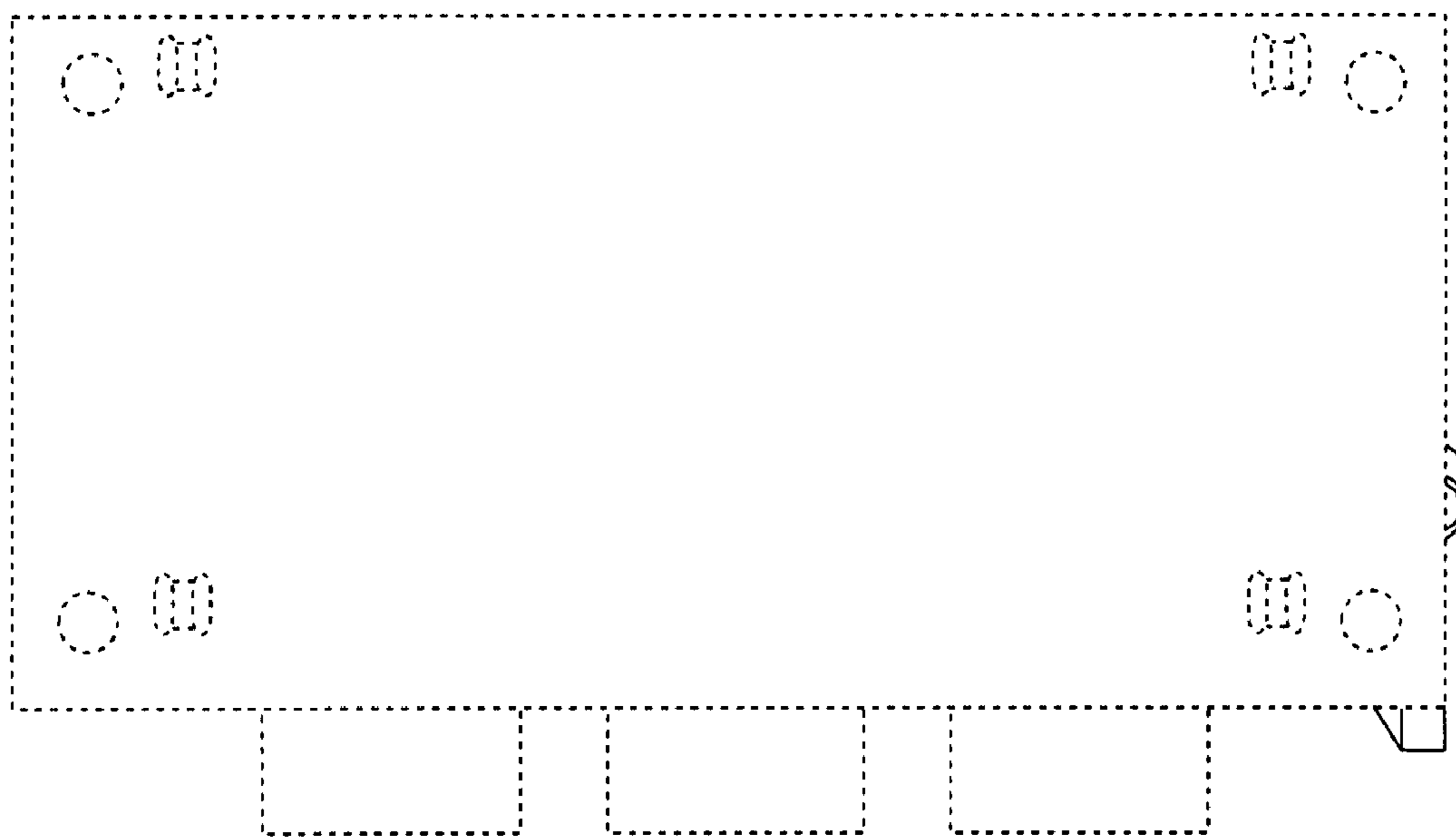


FIG. 4

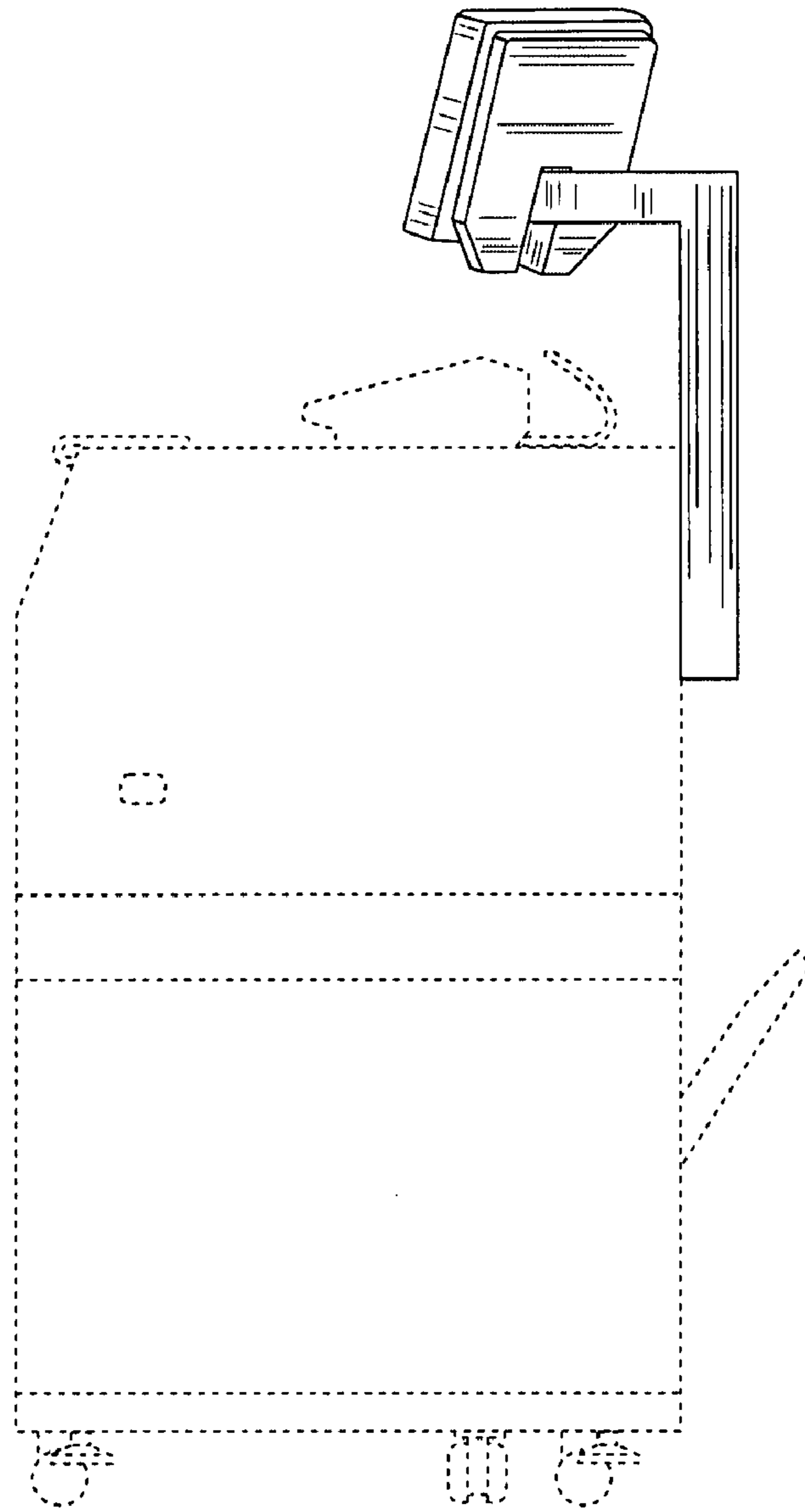


FIG. 5

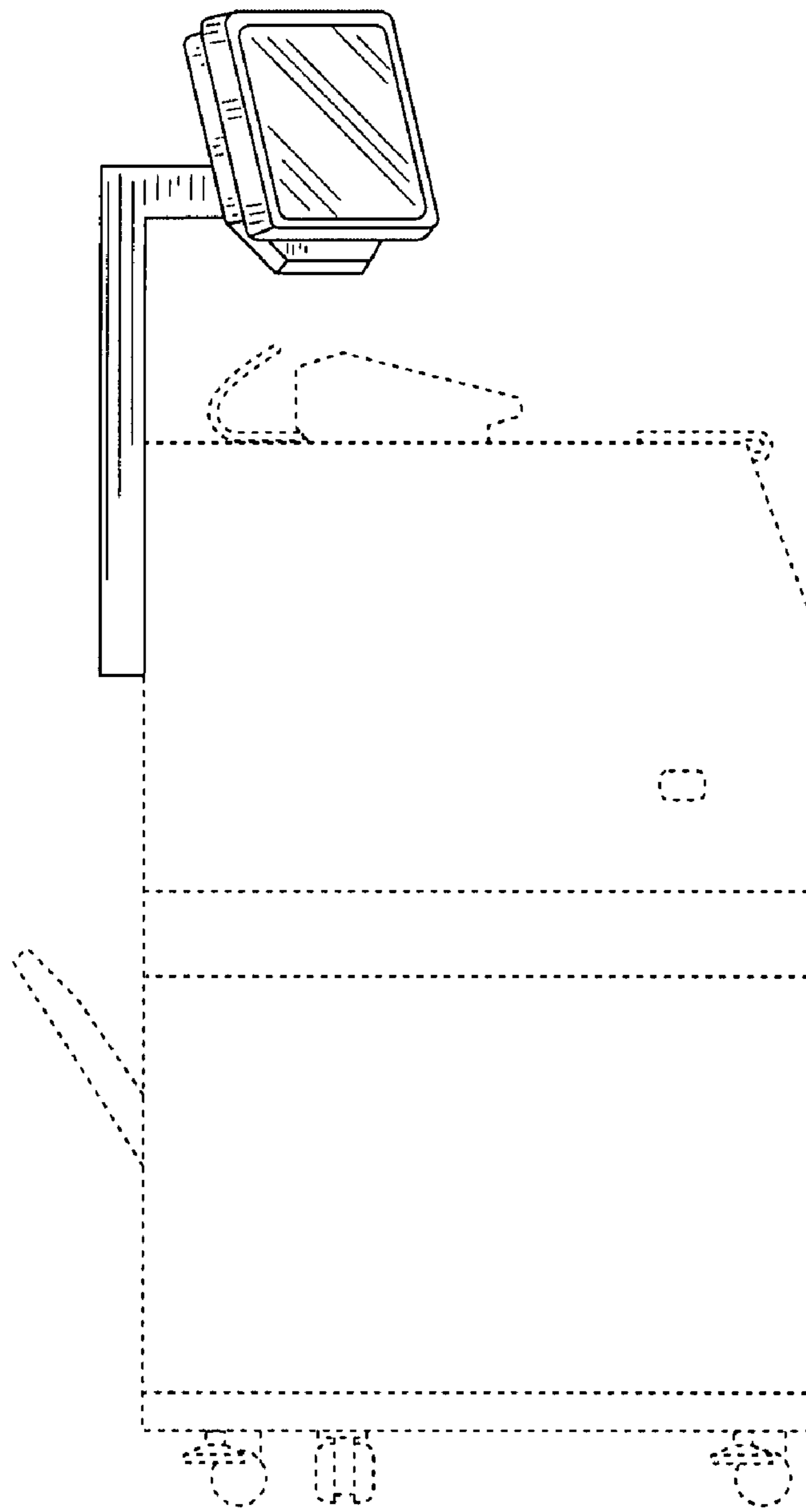


FIG. 6

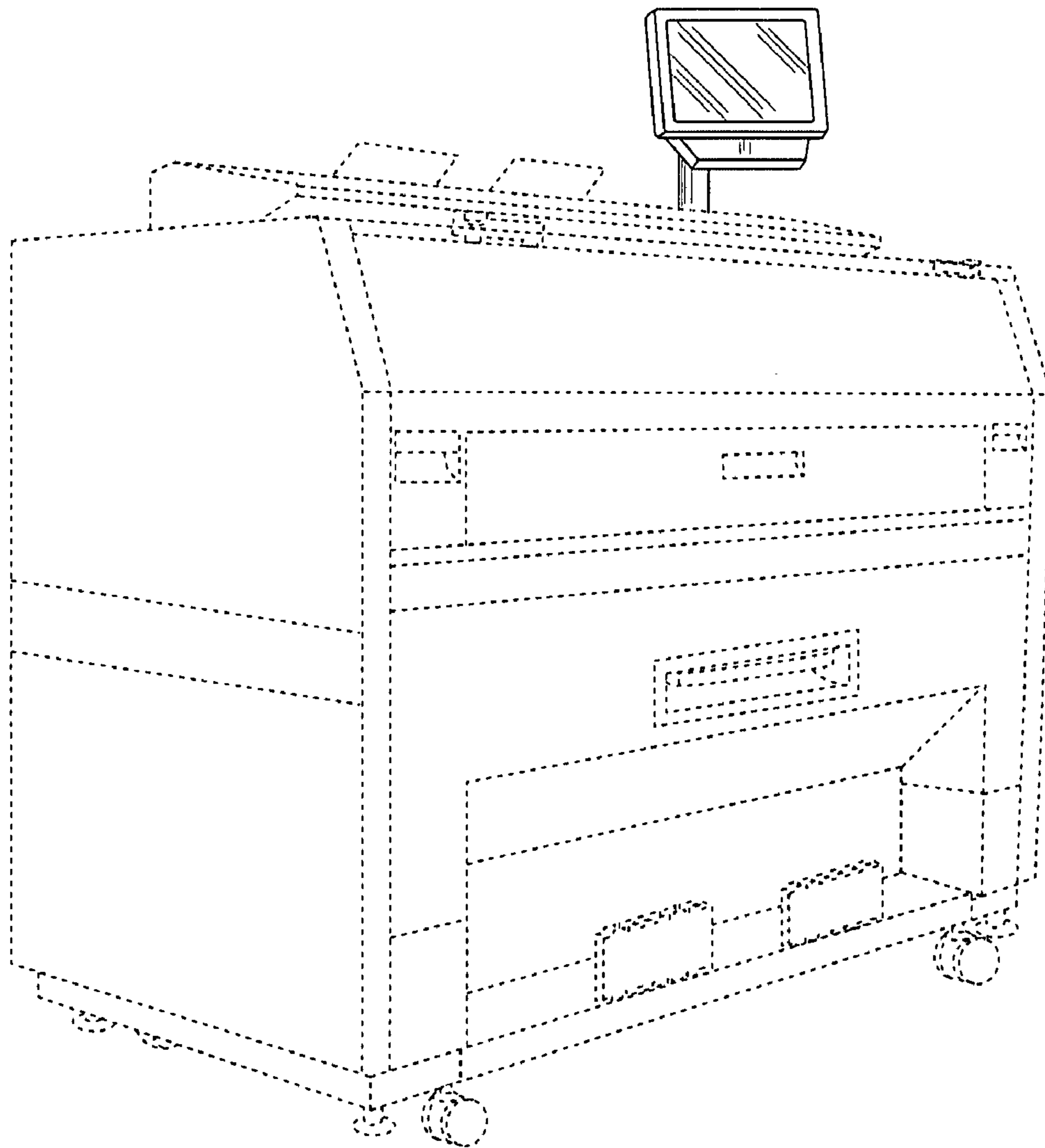


FIG. 7