



US00D552660S

(12) **United States Design Patent**
Lee

(10) **Patent No.:** **US D552,660 S**
(45) **Date of Patent:** **** Oct. 9, 2007**

(54) **TRIPOD**

(75) Inventor: **Wade Lee**, Danville, CA (US)

(73) Assignee: **EML Technologies LLC**, Danville, CA (US)

(**) Term: **14 Years**

(21) Appl. No.: **29/243,259**

(22) Filed: **Nov. 21, 2005**

(51) **LOC (8) Cl.** **16-02**

(52) **U.S. Cl.** **D16/244; D16/242; D16/245**

(58) **Field of Classification Search** D16/242-245,
D16/249, 250; 248/168, 122.1, 177.1, 122,
248/286.1, 121, 176.1, 126, 187.1, 918, 183.2,
248/920, 688, 231.31, 200, 188.5, 171; 396/419,
396/428

See application file for complete search history.

(56) **References Cited**

U.S. PATENT DOCUMENTS

730,062	A *	6/1903	Widmer	248/170
D156,613	S *	12/1949	Mais et al.	D16/241
3,064,932	A *	11/1962	Holderman	248/171
D243,328	S *	2/1977	Kawazoe	D16/244
4,988,064	A *	1/1991	Hoshino	248/170
D326,105	S *	5/1992	Doi	D16/244
D335,889	S *	5/1993	Gibran	D16/244
D344,969	S *	3/1994	Nakatani	D16/244
D450,339	S *	11/2001	Eason	D16/244
D508,938	S *	8/2005	Murray et al.	D16/244
D509,014	S *	8/2005	Bonneville	D16/244

* cited by examiner

Primary Examiner—Ian Simmons

Assistant Examiner—Wan Laymon

(74) *Attorney, Agent, or Firm*—Elliot B. Aronson

(57) **CLAIM**

The ornamental design for a tripod, as shown and described.

DESCRIPTION

FIG. 1 is an overall perspective view of a tripod showing my new design;

FIG. 2 is a front elevational view thereof;

FIG. 3 is a rear elevational view thereof;

FIG. 4 is a left side elevational view thereof, the right elevational view being a mirror image;

FIG. 5 is a top plan view thereof;

FIG. 6 is a bottom plan view thereof;

FIG. 7 is a front elevational view of a second embodiment of a tripod;

FIG. 8 is a rear elevational view of FIG. 7;

FIG. 9 is a left elevational view of FIG. 7, the right elevational view being a mirror image;

FIG. 10 is a top plan view of FIG. 7;

FIG. 11 is a bottom plan view of FIG. 7;

FIG. 12 is an overall perspective view of a tripod in a collapsed position as shown in FIG. 1;

FIG. 13 is a front elevational view of FIG. 1;

FIG. 14 is a rear elevational view of FIG. 1;

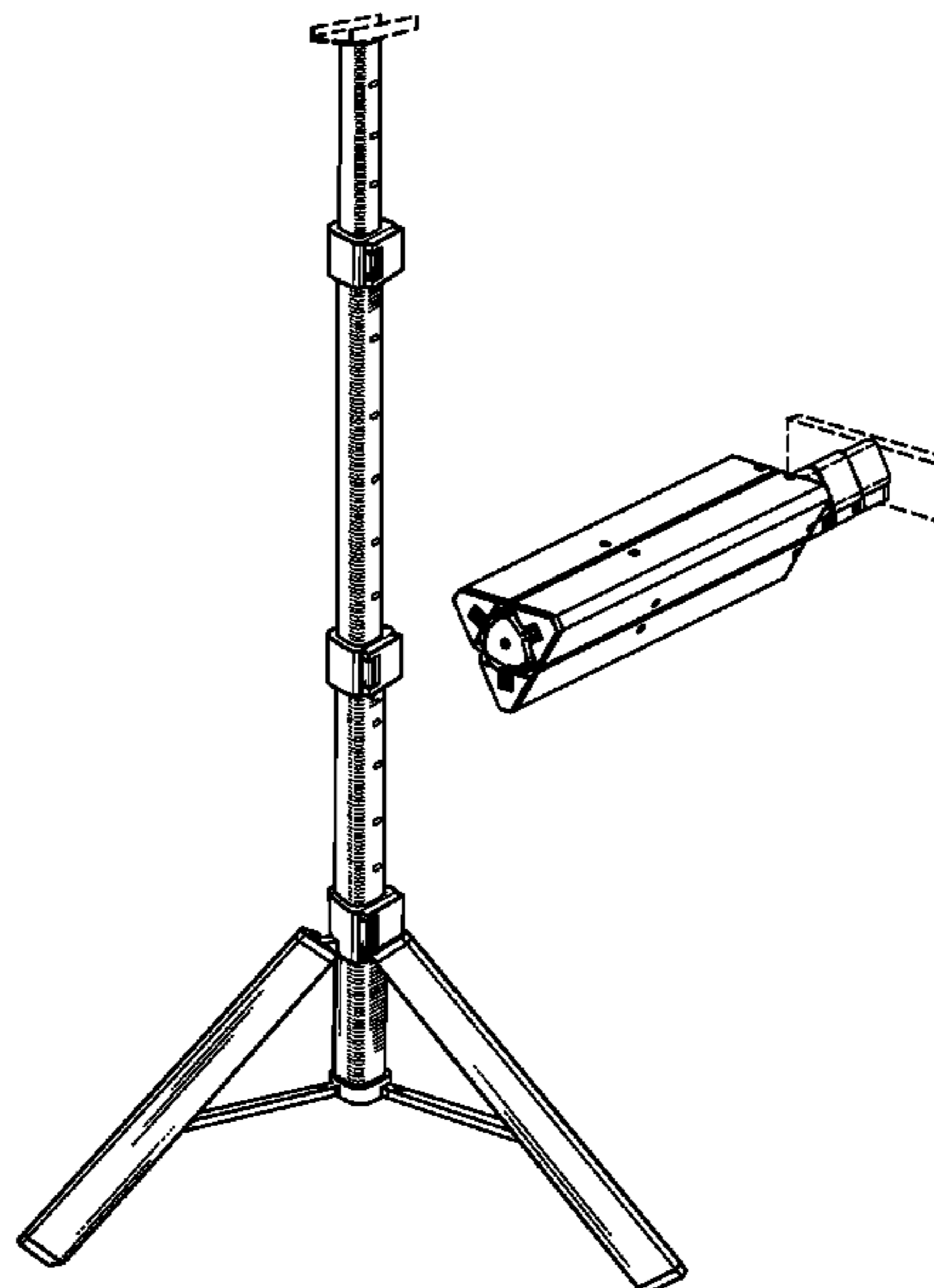
FIG. 15 is a left elevational view of FIG. 1, the right elevational view being a mirror image;

FIG. 16 is a top plan view of FIG. 1; and,

FIG. 17 is a bottom plan view of FIG. 1.

The broken lines in the Figures are for illustrating purposes only and form no part of the claimed design.

1 Claim, 6 Drawing Sheets



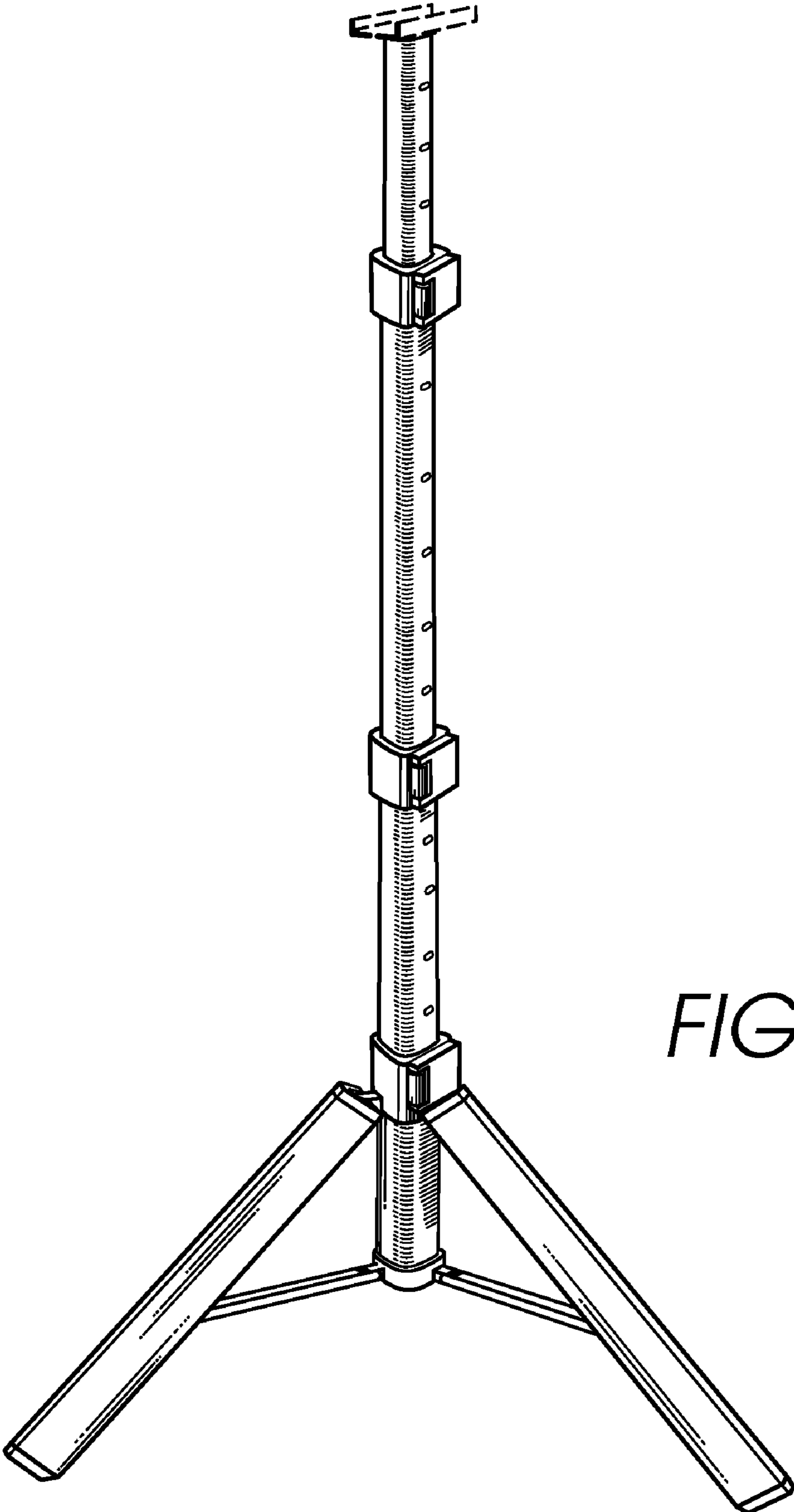
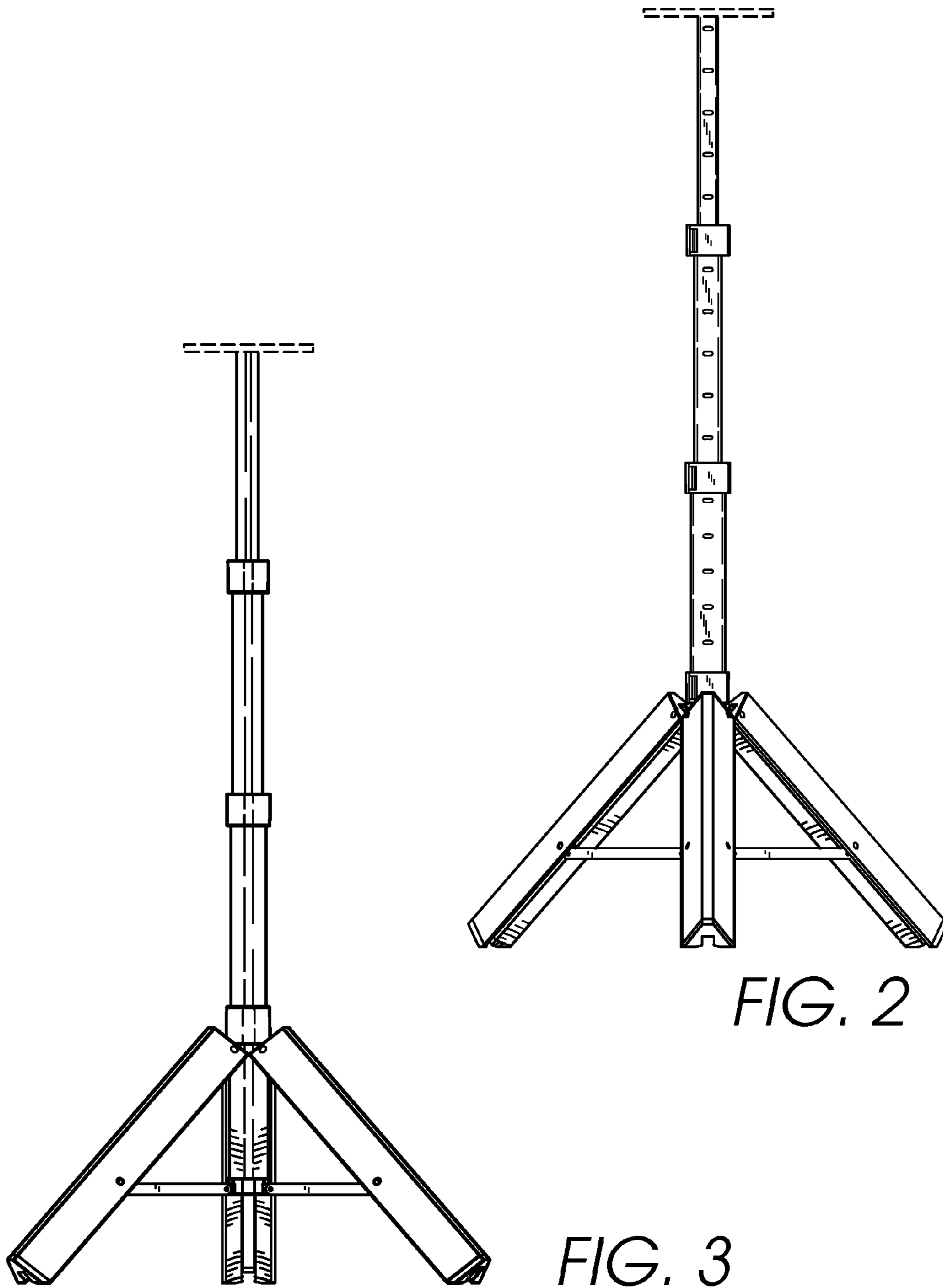


FIG. 1



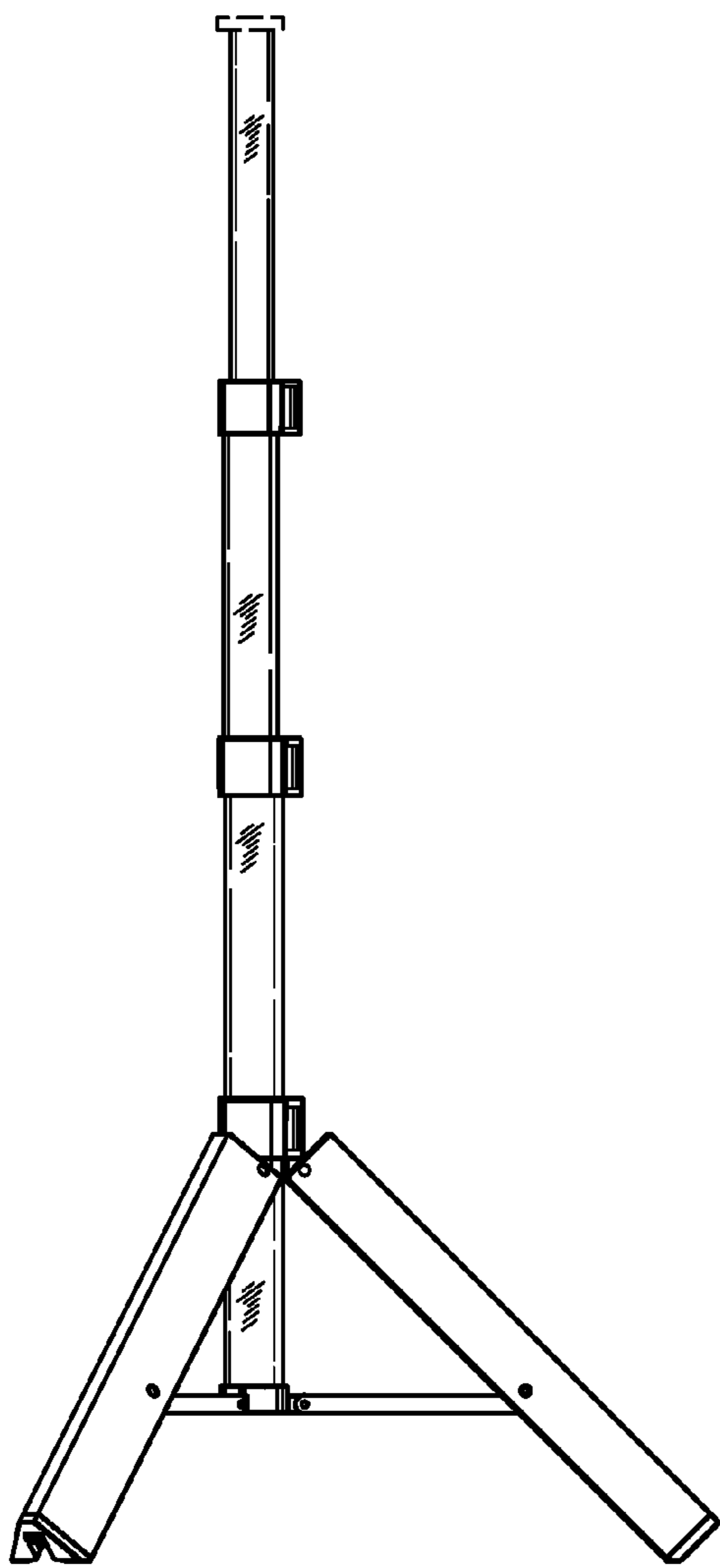


FIG. 4

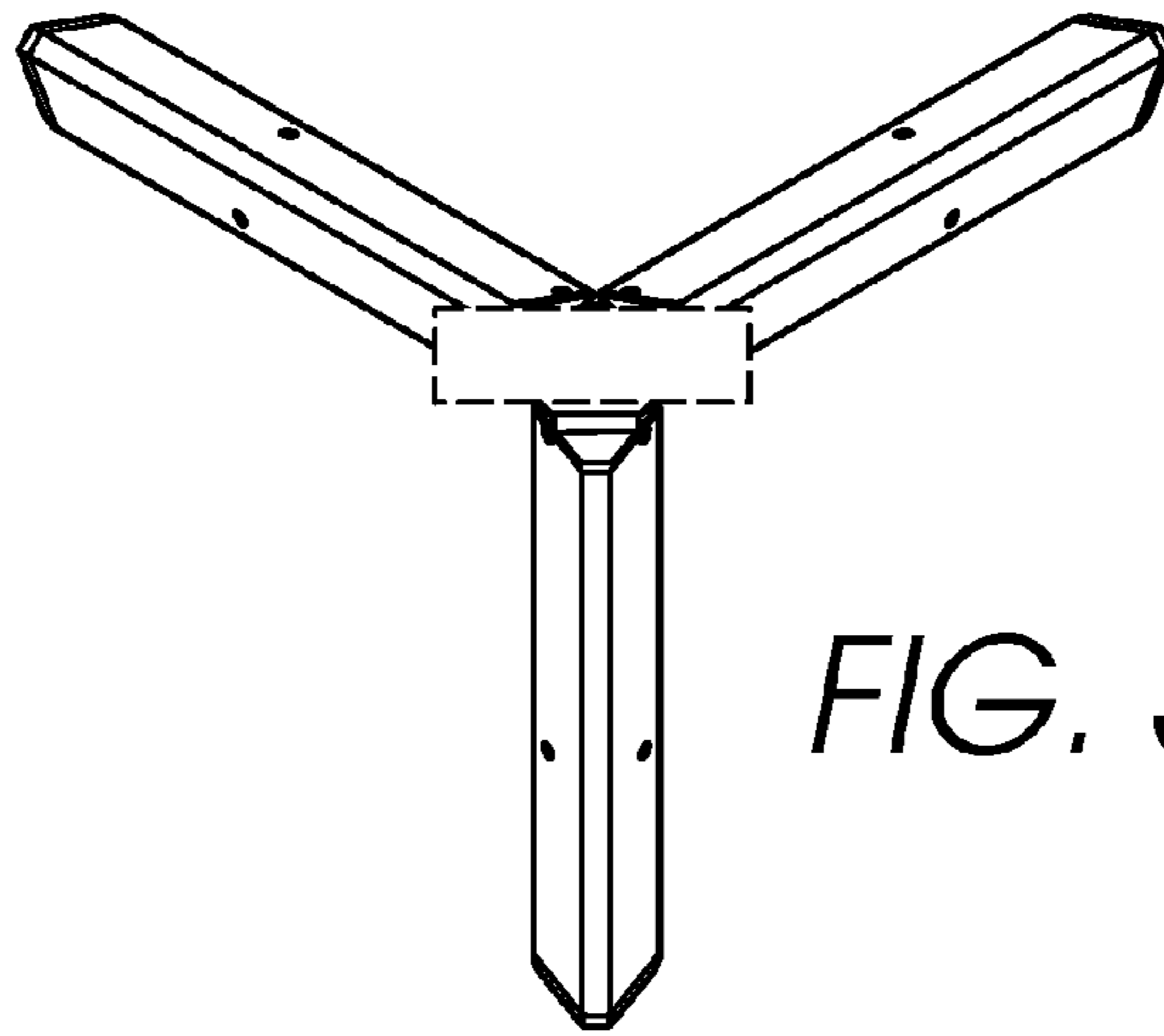


FIG. 5

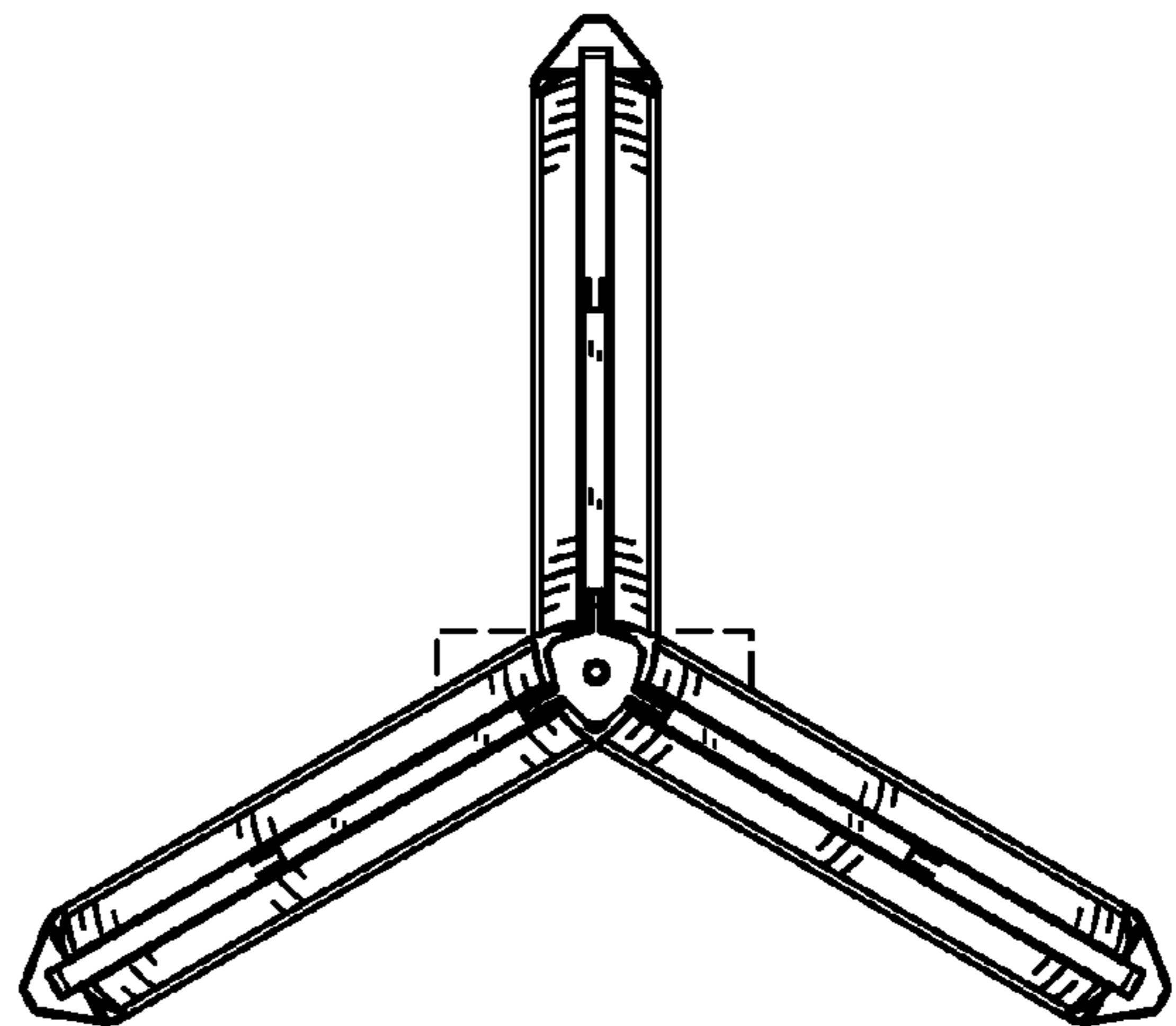


FIG. 6

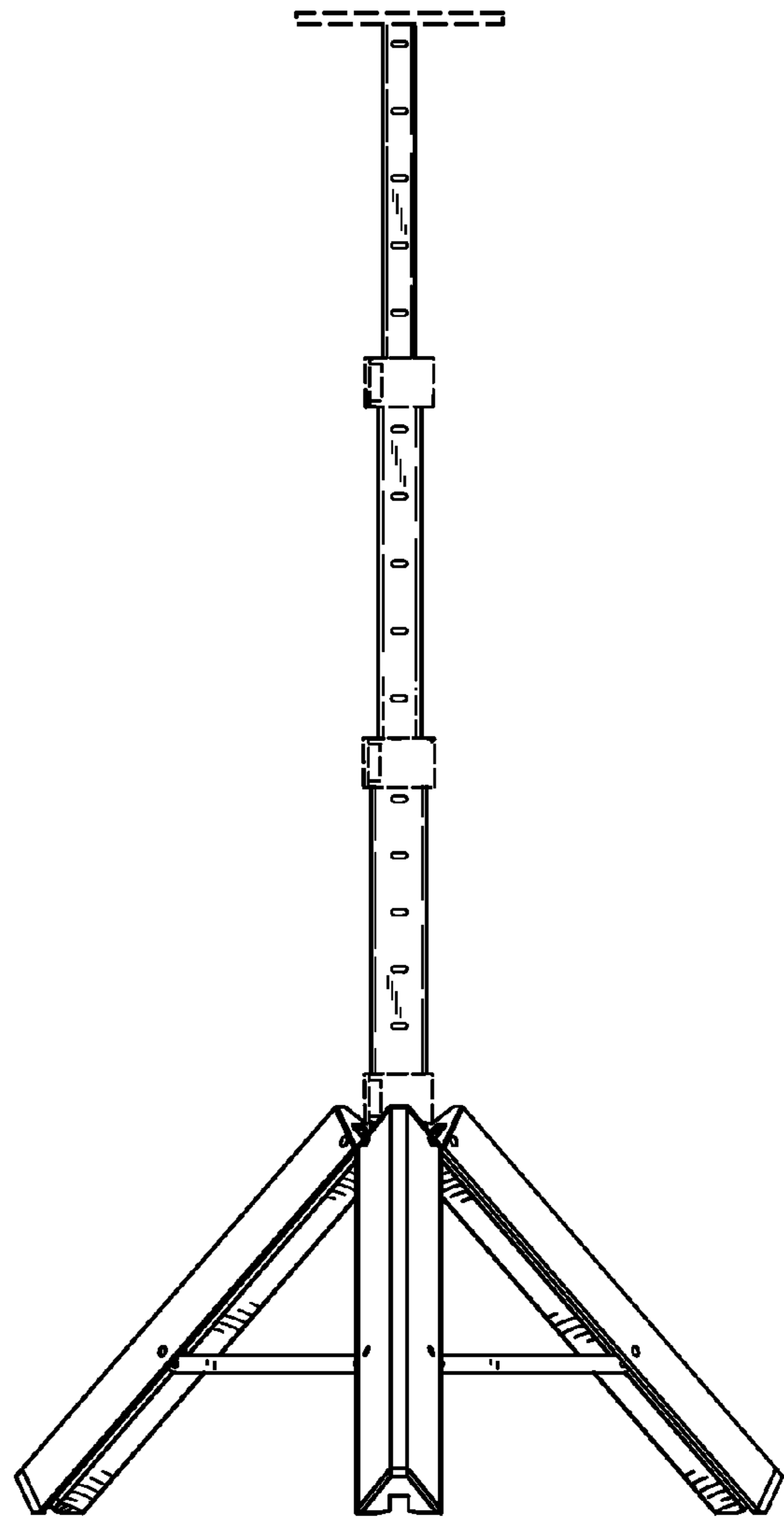
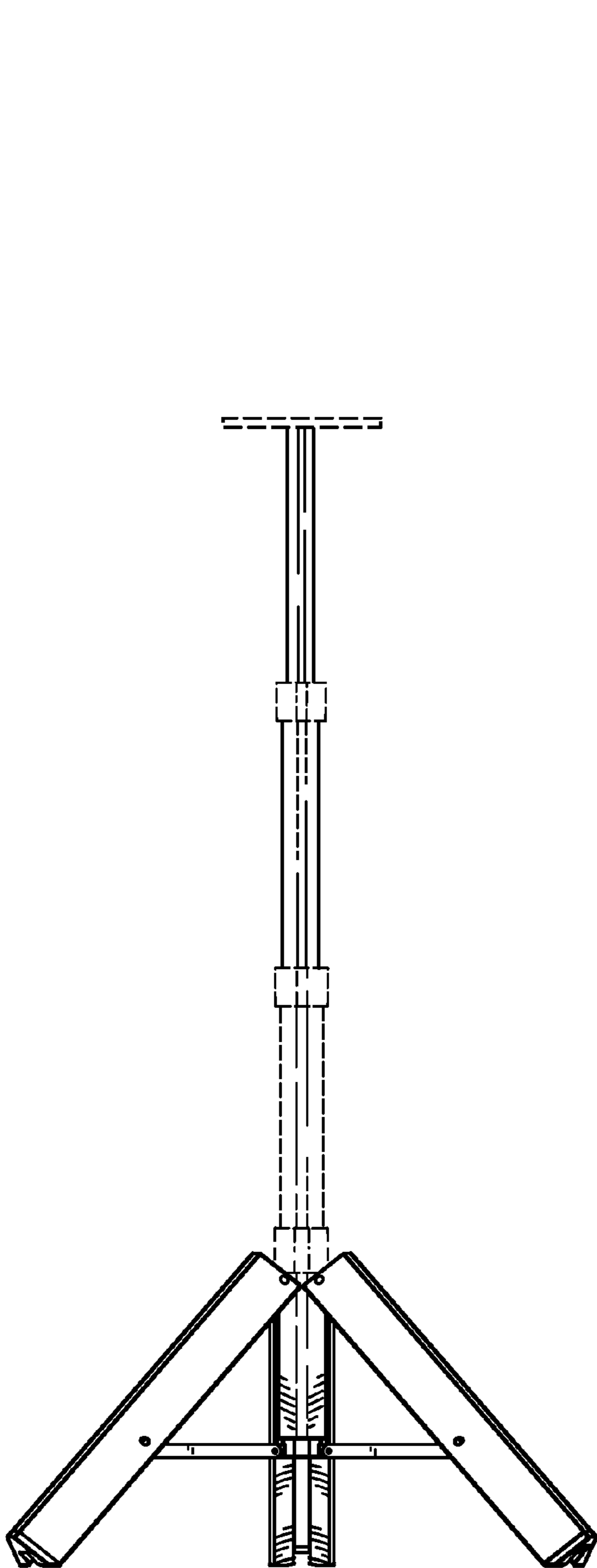
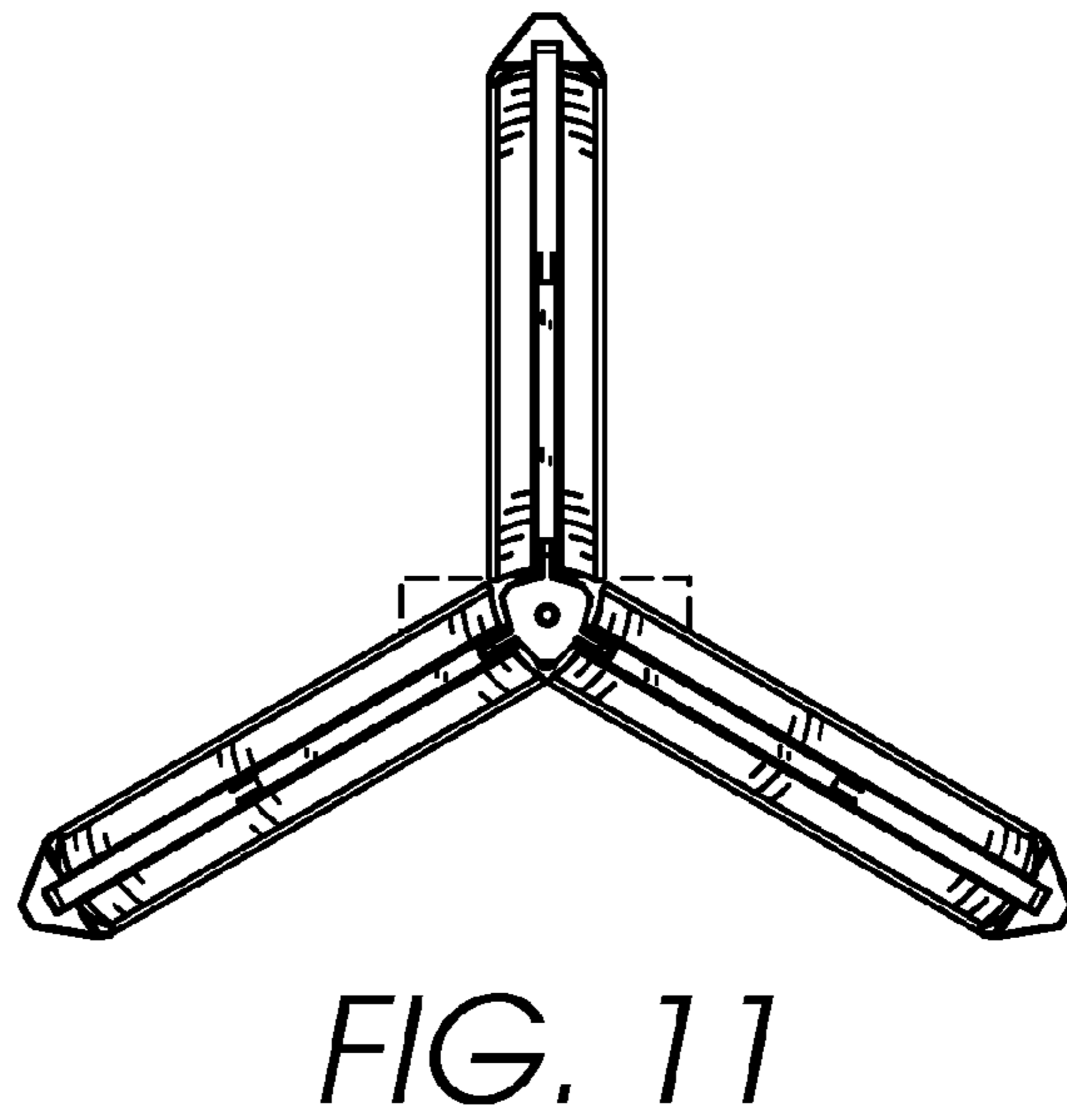
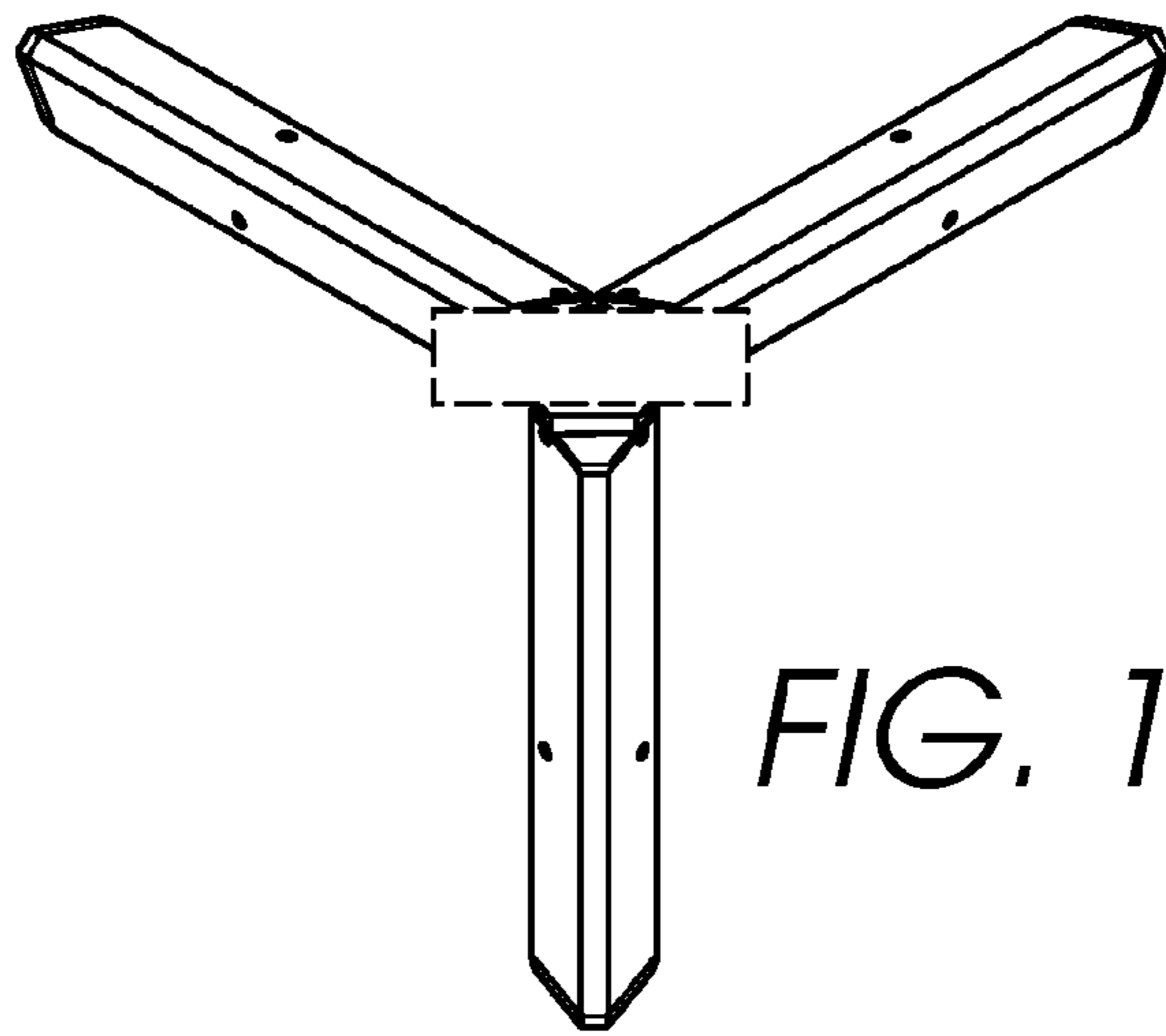
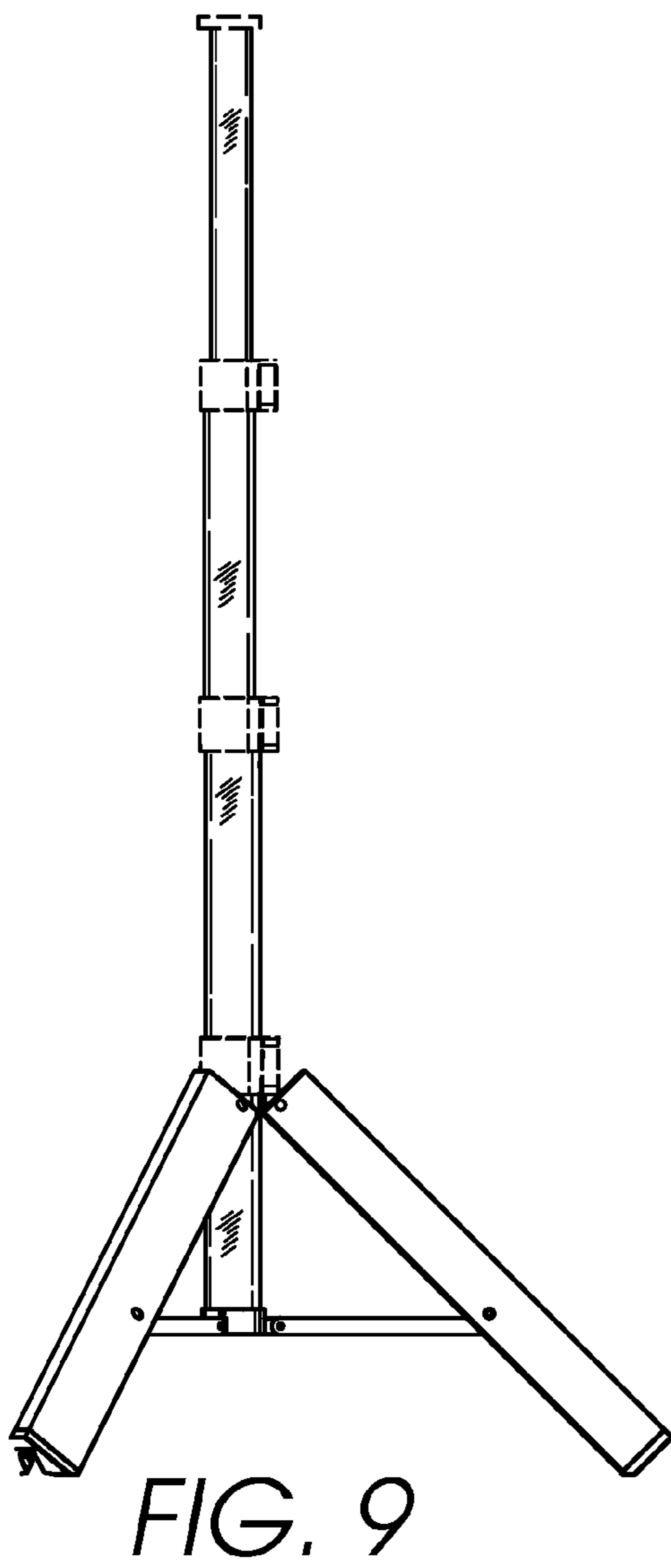


FIG. 7

FIG. 8



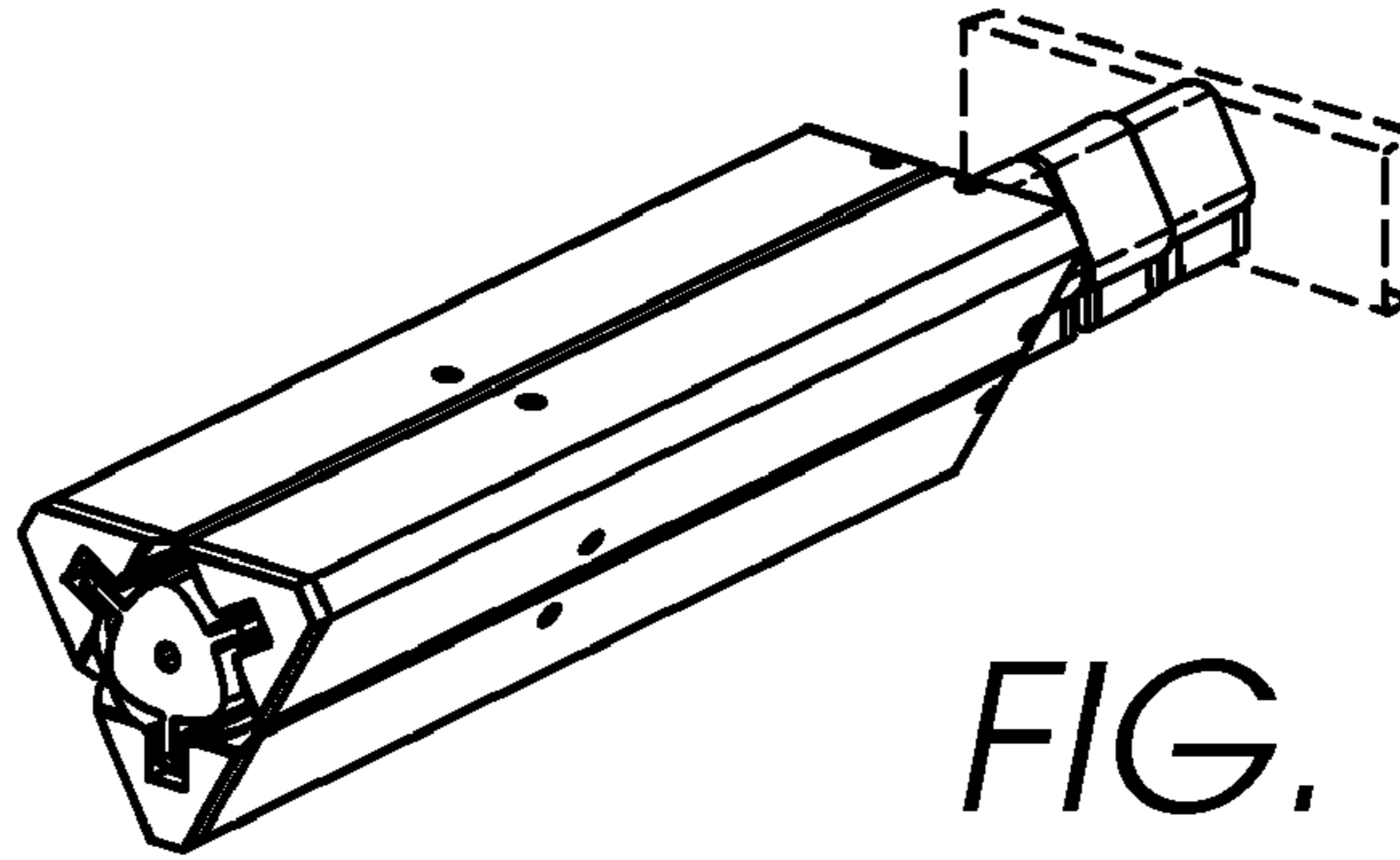


FIG. 12

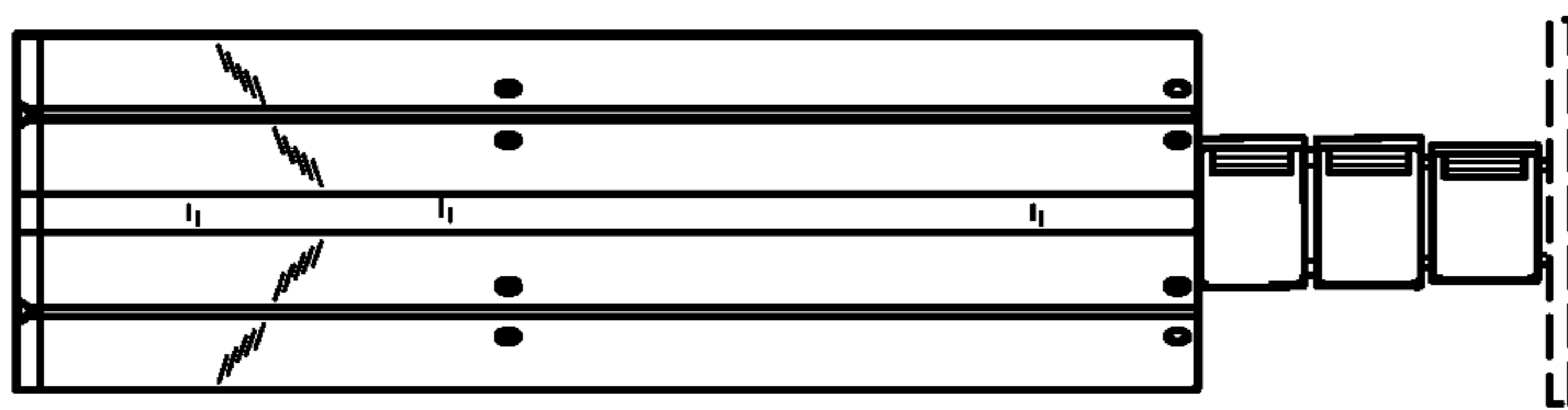


FIG. 13

FIG. 14

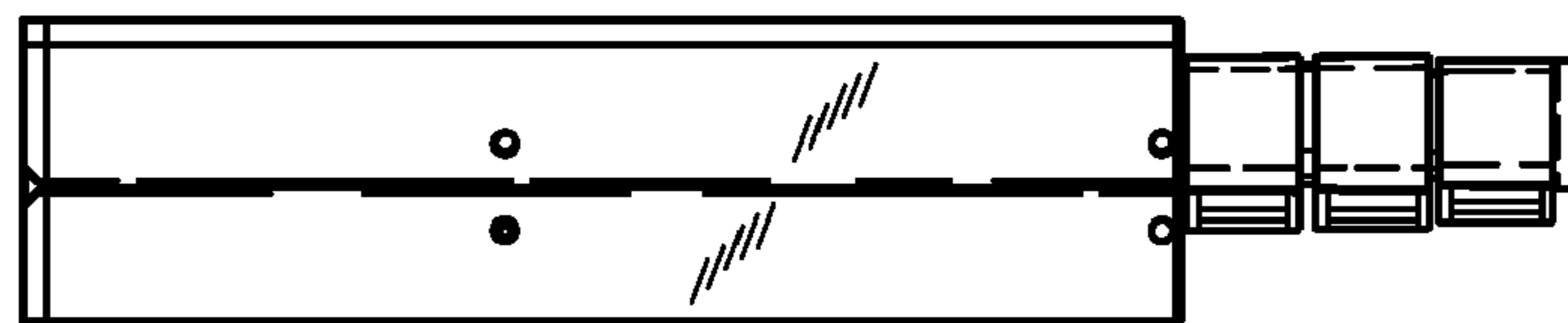
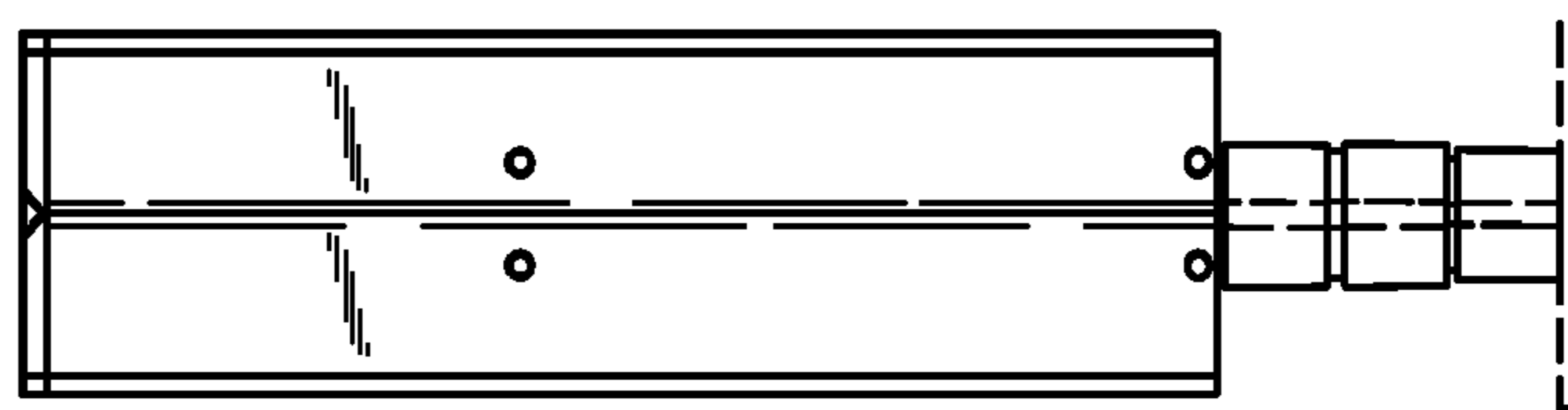


FIG. 15

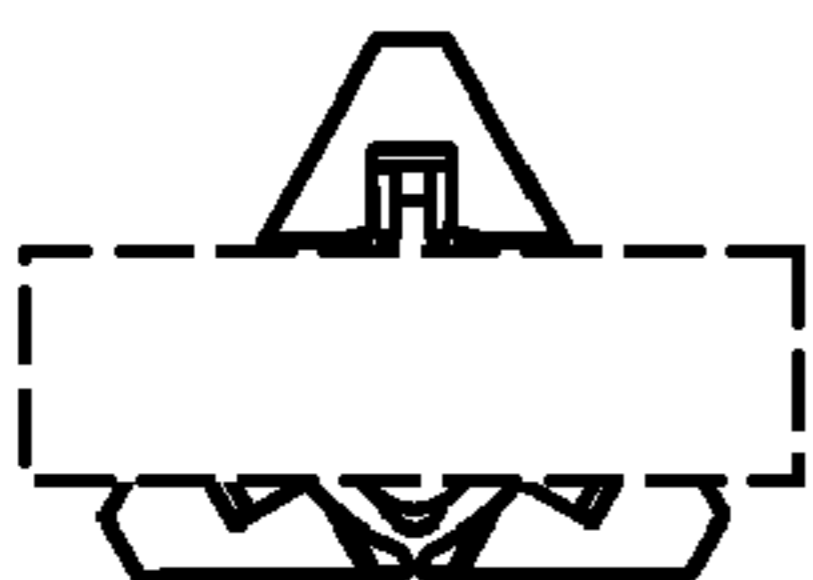


FIG. 16

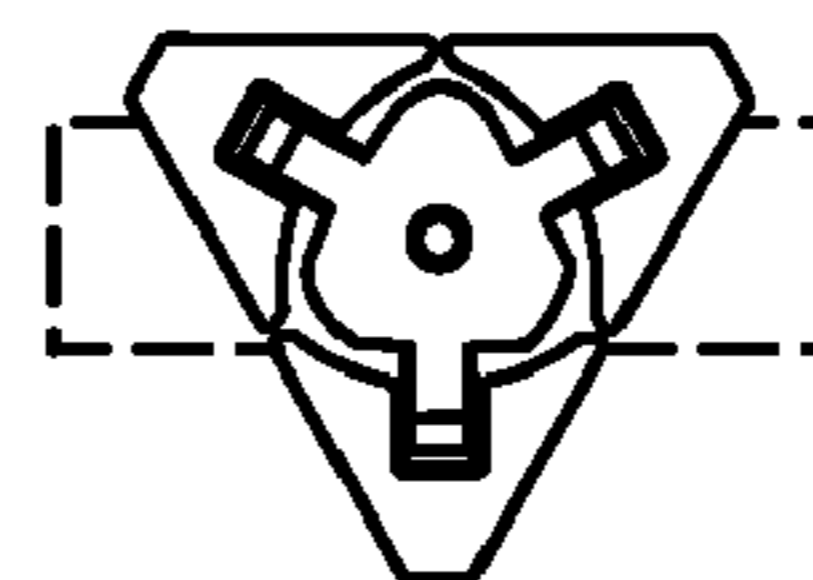


FIG. 17